

## Installing Dies

### Insert Dies for TBM6H Hydraulic Head and Type OD Tools



Cat. No.	Description or Colour Codes	Cat. No.	Description or Colour Codes
<b>OJB</b>	0	<b>BY37</b>	840 (EEI 11A)
<b>DBL</b>	D	<b>BY55</b>	Wire Cutter (2/0 max.)
<b>BY39</b>	510 Hex (non-bow)	<b>BY63</b>	Orange (Nicopress)
<b>BY41</b>	635 Hex (non-bow)	<b>BY65</b>	Plum
<b>BY43</b>	747 Hex (non-bow)	<b>BY15C*</b>	7/32 Red
<b>BY45</b>	T	<b>BY17C*</b>	1/4 Blue
<b>BY47</b>	K	<b>BY19C*</b>	5/16 Grey
<b>BY49</b>	B	<b>BY21C*</b>	3/8 Brown
<b>BY51</b>	J	<b>BY23C*</b>	1/2 Pink
<b>BY53</b>	P	<b>BY24C*</b>	1/2-1 Gold
<b>BY13</b>	3/16	<b>BY25C*</b>	9/16 Tan/Orange
<b>BY15*</b>	7/32 (EEI-1 index 236)	<b>BY27C*</b>	11/16 Yellow
<b>BY17</b>	1/4	<b>BY31C*</b>	5/8-1 Olive/Purple
<b>BY19</b>	5/16 (index 161.242)	<b>BY32C*</b>	Ruby
<b>BY21</b>	3/8	<b>BY35C*</b>	781 White
<b>BY23</b>	1/2 (index 163)	<b>BY37C*</b>	840 Red
<b>BY25</b>	9/16	<b>BY28C*</b>	17/32 Black
<b>BY27</b>	11/16	<b>BY53C*</b>	P Green
<b>BY29</b>	19/32	<b>BG-1-BB</b>	Canvas Bag for OD58
<b>BY31</b>	5/8-1 (index 165)	<b>ODH1</b>	Insulating Head Cover
<b>BY33</b>	737	-	-
<b>BY35</b>	781	-	-

\*Can also be used with OD58 tool.

### Insert Dies for Hydraulic Heads\* JB12B, 13100A, TBM14M, TBM14MC, TBM14CR-LI, TBM14RH, TBM15I, TBM15CR-LI



Cat. No.	Description or Colour Codes	Cat. No.	Description or Colour Codes
<b>B58CS</b>	5/8 Die Set	<b>B75AH</b>	-
<b>HO</b>	"O" Die Set	<b>B76AH</b>	-
<b>HD</b>	"D" Die Set	<b>B76SH</b>	-
<b>HN</b>	"N" Die Set	<b>B06CHI</b>	Pink/Gold #1/0 AWG Cu
<b>HU</b>	"U" Die Set	<b>B08CH</b>	Tan/Orange #3/0 AWG Cu
<b>HBKC</b>	BKC	<b>B09CH</b>	Olive/Purple #4/0 AWG Cu
<b>HBKT</b>	BKT	<b>B11CH</b>	Red/Blue #350/400 kcmil Cu
<b>B24EA</b>	EEI 8A	<b>B10SH</b>	-
<b>B30EA</b>	EEI 9A	<b>B05CH</b>	Green #1 AWG Cu
<b>B39EA</b>	EEI 10A	<b>B26CH</b>	Ruby/Yellow #250 kcmil Cu
<b>B49EA</b>	EEI 11A (840)	<b>B71CH</b>	Red #8 AWG Cu
<b>B61EA</b>	EEI 12A	<b>B72CH</b>	Black #2/0 AWG Cu
<b>B80EA</b>	EEI 13A	<b>B73CH</b>	Blue #6 AWG Cu
<b>B20AH</b>	EEI14A	<b>B74CH</b>	Grey #4 AWG Cu
<b>B71AH</b>	-	<b>B75CH</b>	Brown #2 AWG Cu
<b>B72AH</b>	-	<b>B76CH</b>	Pink #500 kcmil Al
<b>B73AH</b>	-	<b>B10CHI</b>	White #300 kcmil Cu
<b>B74AH</b>	-	<b>B12CHI</b>	Brown #500 kcmil Cu

\*Adaptor 15500-TB required with T&B 15-Ton tools.

## Cross-Reference for 21940 (40-Ton) Tool Dies

Die Designation	Die Code	Cat. No.	Burdly	
			Copper	Aluminum
-	66	11409	30RT	28RT
840	71 / 76	11363 / 11410	31RT / 32RT	29RT / 30RT
1	87	11423	34RT	31RT
1-1/8	94 / 99	11364 / 11424	36RT / 38RT	32RT / 34RT
-	106	74506	39RT	36RT
1-5/16	107 / 112	11425 / 11426	40 RT	40 RT
1-1/2	115 / 125	11308 / 11416	44 RT	39 ART
1-5/8	140	11418	-	40RT
1-3/4	150 / 161	11419 / 11420	46RT	44RT
-	175	11421	-	-

## Installing Dies

### Dies for Standard Lugs and Splices

Connector Size			Color Code	TBM6H		TBM6PCR-LI, TBM62PCR-LI, TBM62CR-LI, TBM6UNICR-LI				TBM15CR-LI/TBM15I***		TBM12PCR-LI		TBM14M, TB14MC, 13100A, JB12A TBM14CR-LI	
Code Copper	Flex /24	Al/Cu		Die Cat. No.	Die Code No.	Die Cat. No.	Die Code No.	Hex-Flex Die Cat. No.	Hex-Flex Die Code No.	Die Cat. No.	Die Code No.	Die Cat. No.	Die Code No.	Die Cat. No.	Die Code No.
8 AWG	37/24	10 AWG	Red	6TON21SS	21	6TON21SS	21	6TON21XSS	21X	15520SS	21	15520SS	21	15520XSS	21X
6 AWG	61/24	8 AWG	Blue	6TON24SS	24	6TON24SS	24	6TON24XSS	24X	15522SS	24	15522SS	24	15522XSS	24X
4 AWG	91/24	6 AWG	Grey	6TON29SS	29	6TON29SS	29	6TON29XSS	29X	15527SS	29	15527SS	29	15527XSS	29X
2 AWG	125/24	-	Brown	6TON33SS	33	6TON33SS	33	6TON33XSS	33X	15528SS	33	15528SS	33	15528XSS	33X
1 AWG	150/24	4 AWG	Green	6TON37SS	37	6TON37SS	37	6TON37XSS	37X	15513SS	37	15513SS	37	15513XSS	37X
1/0	225/24	2 AWG	Pink	6TON42SS	42	6TON42SS	42	6TON42XSS	42X	15508SS	42	15508SS	42	15508XSS	42X
2/0	275/24	-	Black	6TON45SS	45	6TON45SS	45	6TON45XSS	45X	15526SS	45	15526SS	45	15526XSS	45X
3/0	325/24	-	Orange	6TON50SS	50H	6TON50SS	50H	6TON50XSS	50X	15530SS	50	15530SS	50	15530XSS	50X
4/0	450/24	-	Purple	6TON54SS	54H	6TON54SS	54H	6TON54XSS	54X	15511SS	54	15511SS	54	15511XSS	54X
250 kcmil	550/24	-	Yellow	6TON62SS	62H	6TON62SS	62H	6TON62XSS	62X	15510SS	62	15510SS	62	15510XSS	62X
		1 AWG	Gold	6TON45SS	45	6TON45SS	45			15526SS	45	15526SS	45		
		1/0	Tan	6TON50SS	50H	6TON50SS	50H			15530SS	50	15530SS	50		
		2/0	Olive	6TON54SS	54H	6TON54SS	54H			15511SS	54	15511SS	54		
		3/0	Ruby	6TON60SS	60H	6TON60SS	60H			15532SS	60	15532SS	60		
300 kcmil		4/0	White	6TON66SS	66H	6TON66SS	66H	6TON66X	66X	15534SS	66	15534SS	66	15534XSS	66X
350 kcmil	775/24 (Short)	250 kcmil	Red	6TON71SS	71H	6TON71SS	71H			15514SS	71	15514SS	71	15514XSS	71X
400 kcmil	775/24 (Long)	300 kcmil	Blue	6TON76SS	76H	6TON76SS	76H			15512SS	76	15512SS	76	15512XSS	76X
	925/24*			6TON80SS	80H	6TON80SS	80H			15517SS	80	15517SS	80H	15517XSS	80X
										15606	80				
500 kcmil		350 kcmil	Brown	6TON87SS	87H	6TON87SS	87H			15506SS	87	15506SS	87H	15506XSS	87X
600 kcmil	1100/24	400 kcmil	Green	6TON94SS	94H	6TON94SS	94H			15536SS		15536SS	94H	15536XSS	84X
	1325/24**		Pink												
700 kcmil		500 kcmil	Pink		99H					15505SS		15505SS	99H		
750 kcmil		650 kcmil	Black		106H					15515SS		15515SS	106H		
800 kcmil			Orange		107H					15540SS		15540SS	107H		
		700 kcmil	Purple		112H										
900 kcmil	195/24	750 kcmil	Yellow		115H					15504SS		15504SS	115H		
1000 kcmil		800 kcmil	-												
1250 kcmil		1000 kcmil	-												
1500 kcmil			-												

\* Standard barrel only. Long barrel requires Brown 87H.

\*\* Standard barrel only. Long barrel requires Black 106H.

### Dies for Standard Lugs and Splices (OD58)

Connector Size			Color-Keyed Die Colour	OD58	
Code Copper	Flex/24	Al/Cu		Die Cat No.	Die Code No.
8 AWG	37/24	10 AWG	Red	BY15C	21
6 AWG	61/24	8 AWG	Blue	BY17C	24
4 AWG	91/24	6 AWG	Grey	BY19C	29
2 AWG	125/24	-	Brown	BY21C	33
1AWG	150/24	4 AWG	Green	BY53C	37
1/0	225/24	2 AWG	Pink	BY23C	42
2/0	275/24	-	Black	BY28C	45
3/0	325/24	-	Orange	BY25C	50
4/0	450/24	-	Purple	BY27C	54
250 kcmil	550/24	-	Yellow	BY31C	62
		1AWG	Gold	BY24C	45
		1/0	Tan	BY25C	50
		2/0	Olive	BY31C	54
		3/0	Ruby	BY32C	60

## Installing Dies

### Dies for Lugs and Splices

Connector Size			Color Code	TBM151***, TBM15CR-LI								21940	
Code Copper	Flex /24	Al/Cu		Die Cat. No.	Die Code No.	Full Die Cat. No.	Full Die Code No.	Hex-Flex Die Cat. No.	Hex-Flex Die Code No.	Hex-Flex Full Die Cat. No.	Hex-Flex Full Die Code No.	Die Cat. No.	Die Code No.
8 AWG	37/24	10 AWG	Red	15520SS	21	15520F	21	15520XSS	21X				21
6 AWG	61/24	8 AWG	Blue	15522SS	24	15522F	24	15522XSS	24X				24
4 AWG	91/24	6 AWG	Grey	15527SS	29	15527F	29	15527XSS	29X			11401	29
2 AWG	125/24		Brown	15528SS	33	15528F	33	15528XSS	33X			11402	33
1 AWG	150/24	4 AWG	Green	15513SS	37	15513F	37	15513XSS	37X			11333	37
1/0	225/24	2 AWG	Pink	15508SS	42	15508F	42	15508XSS	42X			11334	42
2/0	275/24		Black	15526SS	45	15526F	45	15526XSS	45X			11405	45
3/0	325/24		Orange	15530SS	50H	15530F	50H	15530XSS	50X			11406	50
4/0	450/24		Purple	15511SS	54H	15511F	54H	15511XSS	54X			11407	54
250 kcmil	550/24		Yellow	15510SS	62H	15510F	62H	15510XSS	62X	15662X	62X	11340	62
		1 AWG	Gold	15526SS	45		45					11405	45
		1/0	Tan	15530SS	50H		50H					11406	50
		2/0	Olive	15511SS	54H		54H					11407	54
		3/0	Ruby	15532SS	60H	15532F	60H					11408	60
300 kcmil		4/0	White	15534SS	66H	15534XSS	66H	15534XSS	66X	15666X	66X	11409	66
350 kcmil	775/24 (Short)	250 kcmil	Red	15514SS	71H	15514XSS	71H	15514XSS	71X	15671X	71X	11363	71
400 kcmil	775/24 (Long)	300 kcmil	Blue	15512SS	76H	15512XSS	76H	15512XSS	76X	15676X	76X	11410	76
-	925/24*		-	15517SS	80H	15517XSS	80H	15517XSS	80X	15606	80X	11423	
500 kcmil		350 kcmil	Brown	15506SS	87H	15506XSS	87H	15506XSS	87X	15687X	87X	11364	87
600 kcmil	1100/24	400 kcmil	Green	15536SS	94H	15536XSS	94H	15536XSS	94X	15611X	94X		94
	1325/24**		Pink										
700 kcmil		500 kcmil	Pink	15505SS	99H	15505F				15605X	99X	11424	99
750 kcmil		650 kcmil	Black	15515SS	106H	15515F				15615X	106X	7450	106
800 kcmil			Orange			15609				15608X	107X	11425	107
-		700 kcmil	Purple			15504F						11426	112
900 kcmil	195/24	750 kcmil	Yellow	15504SS	115H	15603				15604X	115X	11308	115
1000 kcmil		800 kcmil	-			15602						11416	125
1250 kcmil		1000 kcmil	-			15601						11418	140
1500 kcmil			-									11419	150

\* Standard barrel only. Long barrel requires Brown 87H.

\*\* Standard barrel only. Long barrel requires Black 106H.

\*\*\* 15500 Series dies require 15500-TB adaptor. 15500F for full size die to fit TBM151 without adaptor.

### Dies for C-Taps

Connector	Colour code	TBM45S Nest Colour	TBM5/5S Die Cat. No.	TBM6/6S Die Cat. No.	TBM8/8S Die Cat. No.	TBM62PCR-LI/TBM6H	
						Die Cat. No.	Die Cat. No.
54705	Red	Red Nest	13454	13475/13477	13461	TBM6221	6TON21SS
54710	Blue	Blue Nest				TBM6224	6TON24SS
54715	Grey	Grey Nest				TBM6229	6TON29SS
54720	Brown	Brown Nest				TBM6233	6TON33SS
54725	Green	Green Nest	13455	13474/13477	13462	TBM6237	6TON37SS
54730	Pink					TBM6242	6TON42SS
54735	Black					TBM6245	6TON45SS
54740	Orange					TBM6250	6TON50SS
54745	Purple		13456	13473/13478	13463	TBM6254	6TON54SS
54750	Yellow					TBM6262	6TON62SS

## Installing Dies

### Dies for Large C-Taps

Connector	Colour code	13642M/13400 Die Cat. No.	TBM12 Die Cat. No.	13100A/JB12B/TBM14M/TBM14RH/ TBM14CR-LI/TBM12CR-LI Die Cat. No.	TBM15I/TBM15CR-LI Die Cat. No.
54755	Blue	11744	TBM12D-4	15512SS	15512SS
54760	Brown	11746-TB	TBM12D-3	15506SS	15506SS
54765	Pink	11748	TBM12D-2	15505SS	15505SS
54770	Black	11749		15515SS	15515SS
54775	Yellow	11753	TBM12D-1	15504SS	15504SS
54780	White	-	-	-	15603
54785	-	-	-	-	-
54790	-	-	-	-	-

### Dies for Aluminum H-Taps

Connector	Colour code	TBM5/5S Die Cat. No.	TBM6/6S Die Cat. No.	TBM8/8S Die Cat. No.	TBM12 Die Cat. No.	TBM6H/TBM6PCR-LI Die Cat. No.	13100A/JB12B/TBM14M/TBM14RH/ TBM14CR-LI/TBM14MC/TBM12CR-LI Die Cat. No.	TBM15I/TBM15CR-LI Die Cat. No.
63105	Orange	13455	13474/13477	13462	TBM12D-4	6TON50	15530SS	15530SS
63110	Green	-	13470	-	TBM12D-H	OJB	15501A	15501A
63118			13471			DBL	15502	15502
63125	Blue	-	-	-	-	-	-	15612
63140	Red	-	-	-	-	-	-	15620
63148	Black	-	-	-	-	-	-	15620
63160	-	-	-	-	-	-	-	-
63169	-	-	-	-	-	-	-	-
63170	-	-	-	-	-	-	-	-
63180	-	-	-	-	-	-	-	-

### Dies for Copper H-Taps

Connector	Colour code	TBM6H Die Cat. No.	13100A/JB12B/ TBM14M/TBM14CR-LI/ TBM14RH/TBM14MC/ TBM14CR-LI/TBM12CR-LI Die Cat. No.	TBM15CR-LI/ TBM15I/ TBM15CR-LI Die Cat. No.
CHT814-10	Green	6TON37R	15CA37RCH	15CA37RCH
CHT214-9	Brown	6TON71R	15CA71RCH	15CA71RCH
CHT250214-8	Purple	-	15CA80RCH	15CA80RCH
CHT25014-7				
CHT2502-6	Brown	-	-	15612CH
CHT50010-5				
CHT50040-4	Yellow	-	-	15620CH
CHT75010-3				
CHT750350-2	White	-	-	15620CHF
CHT75040-11				
CHT750350-1F				

### Dies for Medium-Voltage Connectors (15kV applications)

Die Code No.	Copper Conductor Size	TBM12CR-LI, TBM15I, TBM14M, TBM14RH, TBM14MC, TBM14CR-LI, TBM15CR-LI, 13100A, TBM12CR-LI, TBM14CR-LI, TBM15CR-LI		Round Gauging
		Adaptor** Type	Non-Adaptor Type	
29R	#4 AWG	15CA29R	-	.302/.290
33R	#2 AWG	15CA33R	-	.348/.336
37R	#1 AWG	15CA37R	-	.394/.382
42R	1/0 AWG	15CA42R	-	.432/.420
45R	2/0 AWG	15CA45R	-	.472/.460
49R	3/0 AWG	15CA49R	-	.522/.510
54R	4/0 AWG	15CA54R	-	.576/.564
60R	250 kcmil	15CA60R	-	.604/.592
66R	300 kcmil	15CA66R	-	.680/.668
71R	350 kcmil	15CA71R	-	.730/.718
76R	400 kcmil	15CA76R	-	.790/.778
87R	500 kcmil	15CA87R	-	.904/.892
94R	600 kcmil	15CA94R***	-	.958/.946
106R	750 kcmil	15CA106R***	-	1.042/1.030
125R	1000 kcmil	-	15C125R*	1.298/1.286

\*To be used with TBM15I or TBM15CR-LI tools.

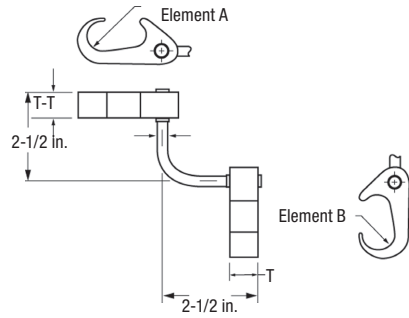
\*\*Use 15500-TB adaptor with TBM15I tool.

\*\*\*Not UL Listed for use in TBM14M/13100A tools.

## Installing Dies

### Dies for Figure 6 to 6 Ground Connectors

Connector	Cable Element A	To Cable Element B	To Ground Rod Element B	To Rebar Element B	Die Selection	
					Element A	Element B
54855L	#6 Sol. – #2 Str.	#6 Sol. – #2 Str.	–	–	15501A	15501A
54865L	#1 Str. – 250 kcmil					
54875L	#2 Str. – 250 kcmil	#2 Str. – 250 kcmil	1/2 in. – 5/8 in. Rod	3/8 in. – 1/2 in. #3 – #4 Rebar	15G86R	15G86R
54885L	250 kcmil – 500 kcmil	#6 Sol. – #2 Str.	5/8 in. – 3/4 in. Rod	5/8 in. – 3/4 in. #3 – #4 Rebar	15G126R	15501A
54895L		#2 Str. – 250 kcmil			15G126R	15G86R
54900L					15G121R	15G121R



### Dies for Figure 6 to 6 Ground Connectors and Cross Reference

Cat. No.	Dies for T&B 14- and 15-Ton Tools		Burdny Tools and dies					
	Element A	Element B	Y750		Y45		Y46	
			A	B	A	B	A	B
54900L	15G121R [3]	15G121R [3]	U1011 [3]	U1011 [3]	S1011 [3]	S1011 [3]	P1011 [3]	P1011 [3]
54895L	15G86R [1]	15G126R [1]	PU998 or PU998 [1]	U997 [1]	S998 or PU998 [1]	U997 [1]	P998 [1]	U997 [1]
54885L	15501A [1]			U-0 or PU998 [1]	S998 [1]	U-0 [1]		U-0 [1]
54875L	15G86R [1]	15G86R [1]	U997 [1]	U997 [1]	U997 [1]	U997 [1]	U997 [1]	U997 [1]
54865L	15501A [1]			U-0 [1]	U-0 [1]	U-0 [1]		U-0 [1]
54855L			15501A [1]	U-0 [1]	U-0 [1]	U-0 [1]	U-0 [1]	U-0 [1]

Use 15500-TB adaptor for T&B 15-ton tool.

[\*] = Number of crimps

## Installing Dies

### Dies for Figure 6 – Ground Connectors and Cross References

Cat. No.	Dies for T&B 14- and 15-Ton Tools	Burdny Tools and dies			
		Y750	Y45	Y46	
54900	15G121R [3]	U1011 [3]	S1011 [3]	P1011 [3]	
54895	15G126R [1]	PU998 [1]	PU996 or S998 [1]	PU996 or S998 [1]	
54890					
54885					
54875	15501A [1]	U0 [1]	U0 [1]	U0 [1]	
54865CK	15G86R [1]	997 [1]	U997 [1]	U997 [1]	
54860					
54855					

Use 15500-TB adaptor for T&B 15-Ton tool.

\* = Number of crimps

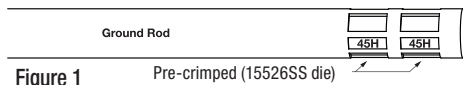


Figure 1 Pre-crimped (15526SS die)

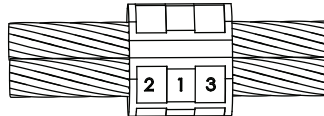
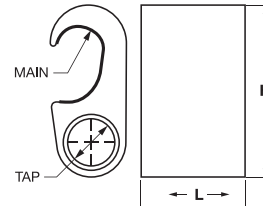


Figure 2 – Requires 3 crimps



**IMPORTANT:** For 54865-CKN Only. To be in compliance with IEEE837-2014, the ground rod should be pre-crimped with die 15526SS (45H) as shown in Figure 1.

Cat. No.	Application		Dies for T&B Tools (Figure 2)	L (in.)
	Main	Tap		
54865-CKN*	5/8 in. rod	3/0 str. – 250 kcmil	15506SS	1-1/2
54860N	5/8 in. rod	1/0 str. – 2/0 str.	15506SS	1-1/2
54855N	5/8 in. rod	#4 sol. – #2 str.	15506SS	1-1/2
54875N	#6 sol. – #2 str.	#6 sol. – #2 str.	15517SS	1-1/2

\* See Figure 1

All parts ending by the letter N are IEEE837-2014 compliant.

Use hydraulic tool 13100A, TBM14M TBM14CR-LI, TBM15CR-LI, TBM15, or TBM15I with die indicated in chart.

### Dies for Figure 8 – Ground Connectors and Cross References

Cat. No.	Cable Range	Dies for T&B 14- and 15-Ton Tools	Burdny Tools and dies			
			Y750	Y45	Y46	
GR1-300500*	300-500 kcmil	15G121R [2]	U1011 [2]	S1011 [2]	P1011 [2]	
GR34-300500 & TP*			PU998 [1]	S1012 or PU998 [1]	P1011 [2] or PU998 [1]	
GR58-30050 & TP			U1011 [2]	S1011 S1012 or PU998 [1]		
GR1-40250*	4/0 AWG-250 kcmil	15G121R [2]	PU998 [1]	S1012 or PU998 [1]	P1011 [2] or PU998 [1]	
GR34-40250 & TP*			U1011 [2]	S1011 S1012 or PU998 [1]		
GR58-40250 & TP			PU998 [1]	S1012 or PU998 [1]		
GR12-40250 & TP	2 AWG-2/0 AWG	15G121R [2]	U1011 [2]	S1011 S1012 or PU998 [1]	P1011 [2] or PU998 [1]	
GR1-202*			PU998 [1]	S1012 or PU998 [1]		
GR34-202 & TP			U1011 [2]	S1011 S1012 or PU998 [1]	P1011 [2] or PU998 [1]	
GR58-202 & TP			PU998 [1]	S1012 or PU998 [1]		
GR12-202 & TP						

Optional ground rod knurling die for TBM 14- and 15-Ton tools: 15508

Use 15500-TB adaptor for T&B 15-Ton tool.

Optional ground rod knurling tool: 240-31565-94

\*Use 15-Ton tool only.

\* = Number of crimps

## Installing Dies

### Dies for Figure 6 to 8 Ground Connectors and Cross Reference

Cat. No.	Dies for T&B 14- and 15-Ton Tools		Burdny Tools and dies						
	Element A *	Element B *	Y750		Y45		Y46		
			A *	B *	A *	B *	A *	B *	
54920LR100	15G121R [2]	15G126R [1]		U1011 [2] or PU998 [1]		U1011 [2] or PU998 [1]		U1011 [2] or PU998 [1]	
54910LR100		15G86R [1]		U997 [1]		U997 [1]		U997 [1]	
54900L34 & TP		15G126R [1]		U1011 [2] or PU998 [1]		U1011 [2] or PU998 [1]		U1011 [2] or PU998 [1]	
54875L34 & TP		15G86R [1]	U1011 [2] or PU998 [1]		S1011 [2] or PU998 [1]		P1011 [2] or PU998 [1]		U997 [1]
54895LR58 & TP		15G126R [1]				S998 [1] or PU998 [1]		P998 [1] or PU998 [1]	
54865L58 & TP		15G86R [1]		U1011 [2] or PU998 [1]		U997 [1]		U997 [1]	
54885LR12 & TP		15R126R [1]				S998 [1] or PU998 [1]		P998 [1] or PU998 [1]	
54855LR12 & TP		15G86R [0]				U997 [1]		U997 [1]	

Optional ground rod knurling die for TBM 14- and 15-Ton tools: 15500  
 Use 15500-TB adaptor for T&B 15-Ton tool.  
 Optional ground rod knurling tool: 240-31565-94  
 \*Use 15-Ton tool only.

\* = Number of crimps

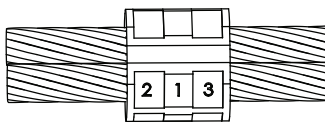
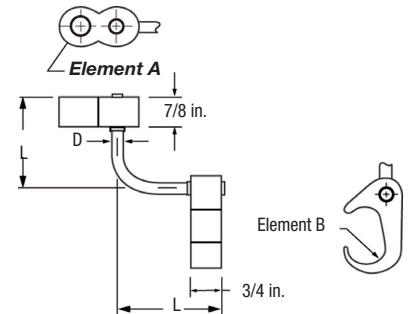
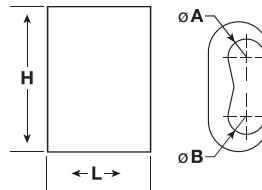


Figure 1 – Requires 3 crimps



Cat. No.	Ø A Cable	Ø B Cable	H (in.)	L (in.)	Crimps	Dies for Tools
CTP250250N	3/0 str.- 250 kcmil	3/0 str.- 250 kcmil	2-1/16	1-1/2	3	15506SS
CTP25020N	3/0 str.- 250 kcmil	#1 str. - 2/0 str.	1-31/32	1-1/2	3	15506SS
CTP2020N	#1 str. - 2/0 str.	#1 str. - 2/0 str.	1-9/16	1-1/2	3	15517SS
CTP202N	#1 str. - 2/0 str.	#6 sol. - #2 str.	1-13/32	1-1/2	3	15517SS
CTP22N	#6 sol. - #2 str.	#6 sol. - #2 str.	1-5/32	1-1/2	3	15514SS

All parts ending by the letter N are IEEE837-2014 compliant.  
 Use hydraulic tool 13100A, TBM14M TBM14CR-LI, TBM15CR-LI, TBM15, or TBM15I with die indicated in chart.  
 Must use TBM15, TBM15CR-LI, or TBM15I tool only. (See Figure 1)

### Dies for C-Taps and Cross Reference

Cat. No.	Dies for T&B 14- and 15-Ton Tools *	Burdny Tools and dies			
		Y750	Y45	Y46	*
CTP500500	15G121R [3]	U1011 [3]	S1011 [3]	P1011 [3]	
CTP500250	15G121R [2]	U1011 [2]	S1011 [2]	P1011 [2]	
CTP50020					
CTP250250	15G86R [1]	U997 [1]	U997 [1]	U997 [1]	
CTP25020					
CTP2020	15501A [1]	U-0 [1]	U-0 [1]	U-0 [1]	
CTP202					
CTP22**	HBKC [1]	U-C [1]	U-C [1]	U-C [1]	

\*Cat. No. 15500-TB adaptor required if using T&B 15-Ton tool with 155XX Series dies.

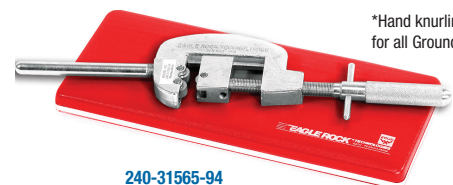
\*\*#6 AWG branch must be doubled.

\* = Number of crimps

### Knurling Die for 14- & 15-Ton Tools\*

Cat. No.	Description
15508SS	For 3/4 in. ground rods

Used to knurl ground rods in order to increase the pullout value of the compression connection by as much as 20%.



240-31565-94

## Installing Dies

### HEX-FLEX™ Dies

Dies for 14-Ton Tools: TBM14MC, TBM14CR-LI		Connector Size			Die Colour
Cat. No.	Code No.	Flex/24	Code Copper	Al/Cu	
15520XSS	21X	37/24	#8	#10	Red
15522XSS	24X	61/24	#6	#8	Blue
15527XSS	29X	91/24	#4	#6	Grey
15528XSS	33X	125/24	#2	—	Brown
15513XSS	37X	150/24	#1	#4	Green
15508XSS	42X	225/24	1/0	#2	Pink
15526XSS	45X	275/24	2/0	—	Black
15530XSS	50X	325/24	3/0		Orange
15511XSS	54X	450/24	4/0	—	Purple
15510XSS	62X	550/24	250		Yellow
15534XSS	66X	—	300	4/0	White
15514XSS	71X	775/24 (short)	350	250	Red
15512XSS	76X	775/24 (long)	400	300	Blue
15517XSS	80X	925/24	—	—	N/A
15506XSS	87X	—	500	350	Brown
15536XSS	94X	1100/24	600	400	Green
15500XSS	Indentor	—	—	—	—

\* HEX-FLEX™ dies are sold individually, not in sets.  
Each die must be used in conjunction with indentor 15500XSS.

### Standard Dies

Dies for 14-Ton Tools: TBM14MC, TBM14CR-LI		Connector Size			Die Colour
Cat. No.	Code No.	Flex/24	Code Copper	Al/Cu	
15520SS	21	37/24	#8	#10	Red
15522SS	24	61/24	#6	#8	Blue
15527SS	29	91/24	#4	#6	Grey
15528SS	33	125/24	#2	—	Brown
15513SS	37	150/24	#1	#4	Green
15508SS	42	225/24	1/0	#2	Pink
15526SS	45	275/24	2/0	—	Black
15530SS	50	325/24	3/0		Orange
15511SS	54	450/24	4/0	—	Purple
15510SS	62	550/24	250		Yellow
15526SS	45	—	—	#1	Gold
15530SS	50			1/0	Tan
15532SS	60			2/0	Olive
15511SS	54			3/0	Ruby
15534SS	66H	775/24 (Short)	300	4/0	White
15514SS	71H		350	250	Red
15512SS	76H	775/24 (Long)	400	300	Blue
15517SS	80H	925/24	—	—	N/A
15506SS	87H	—	500	350	Brown
15536SS	94H		—	—	—
15505SS	99H	1325/24	700	500	Pink
15515SS	106H	—	750	650	Black
15504SS	115H	1925/24	900	750	Yellow

### Aluminum H-Tap Dies

Cat. No.	Connector	Colour Code
15530SS	63105	Orange
15501A	63110	Green
15501A	63118	
15501A	63125	
15502	63140	Blue
15502	63148	

### Copper H-Tap Dies

Cat. No.	Connector	Colour Code
15CA37RCH	CHT814-10	Green
15CA71RCH	CHT214-9	Brown
15CA80RCH	CHT250214-8	Purple
15CA80RCH	CHT25014-7	
15CA80RCH	CHT2502-6	

### Large C-Tap Dies

Cat. No.	Connector	Colour Code
15512SS	54755	Blue
15506SS	54760	Brown
15505SS	54765	Pink
15515SS	54770	Black
15504SS	54775	Yellow



## Installing Dies

### Tool Die Selection Chart

This chart does not apply to catalogue Series 61905-61975, 61102-61178, IBG2-10, IBG20-40, 63105-63180, 53000, 52000 and 15kV copper and aluminum connectors.

For installation die information, see pages illustrating these connector series.

On some sizes, for special flexible strandings, consult your Regional Sales Office.

All colour coded die Series require die adapter 15500TB for TBM15 tools only.



Connector Size		Die Colour Code	TBM45S	TBM4S	TBM840	TBM8-750/-1	OD58	JB12B
Copper	Al/Cu						Die Cat. No.	Die Cat. No.
8 AWG	10 AWG	Red	↕	↕	↕	↕	BY15C	b71Ch
6 AWG	8 AWG	Blue					BY17C	b73Ch
4 AWG	6 AWG	Grey					BY19C	b74ch
2 AWG	-	Brown					BY21C	B75CH
1 AWG	4 AWG	Green					BY53C	B05CH
1/0	2 AWG	Pink					BY23C	B06CH1
2/0	-	Black					BY28C	B72CH
3/0		Orange					BY25C	B08CH
4/0		Purple					BY31C	B09CH
250 kcmil		Yellow						B26CH
-	1 AWG	Gold		-				
	1/0	Tan					B09CH	
	2/0	Olive						
	3/0	Ruby					B10CH1	
300 kcmil	4/0	White					B11CH	
350 kcmil	250 kcmil	Red	-				B11CH	
400 kcmil	300 kcmil	Blue						
925/24	-	Black						
500 kcmil	350 kcmil	Brown		-	-		B12CH	
600 kcmil	400 kcmil	Green					B36CH	
-	-	Green					-	
700 kcmil	500 kcmil	Pink					B76CH	
750 kcmil	650 kcmil	Black					B39CH	
800 kcmil	-	Orange					-	
-	700 kcmil	Purple					-	
900 kcmil	750 kcmil	Yellow					6024 AH	
1000 kcmil	800 kcmil	-					-	
-	1000 kcmil	-					6030 H	

## Installing Dies

### Tool Die Selection Chart



Connector Size		Die Colour Code	TBM6PCR-LI/TBM6H		TBM14CR-LI/14M/13100A		*TBM15CR-LI		21940 (40-TON)	
Copper	Al/Cu		Die Cat. No.	Die Code No.	Die Cat. No.	Die Code No.	Die Cat. No.	Die Code No.	Die Cat. No.	Die Code No.
8 AWG	10 AWG	Red	6TON21SS	21	B71CH	21	B71CH	21		21
6 AWG	8 AWG	Blue	6TON24SS	24	B73CH	24	B73CH	24	–	24
4 AWG	6 AWG	Grey	6TON29SS	29	B74CH	29	B74CH	29	11401	29
2 AWG	–	Brown	6TON33SS	33	B75CH	33	B75CH	33	11402	33
1 AWG	4 AWG	Green	6TON37SS	37	B05CH	37	B05CH	37	11333	37
1/0	2 AWG	Pink	6TON42SS	42	B06CH	42	B06CH1	42	11334	42
2/0	–	Black	6TON45SS	45	B72CH	45	B72CH	45	11405	45
3/0		Orange	6TON50SS	50	B08CH	50	B08CH	50	11406	50
4/0		Purple	6TON54SS	54	B09CH	54	B09CH	54H	11407	54H
250 kcmil		Yellow	6TON62SS	62	B26CH	62	B26CH	62	11340	62
–	1 AWG	Gold	6TON45SS	45	B72CH	45	B72CH	45	11405	45
	1/0	Tan	6TON50SS	50	B08CH	50	B08CH	50	11406	50
	2/0	Olive	6TON54SS	54		54	B09CH	54	11407	54
	3/0	Ruby	6TON60SS	60	–	60	–	60	11408	60
300 kcmil	4/0	White	6TON66SS	66H	B10CH1	66H	B10CH1	66H	11409	66
350 kcmil	250 kcmil	Red	6TON71SS	71H	B11CH	71H	B11CH	71H	11363	71
400 kcmil	300 kcmil	Blue	6TON76SS	76H		76H	B11CH	76H	11410	76
925/24	–	Black	6TON80SS	80H	–	80H	–	80H	–	–
–			–	–		–		80		
500 kcmil	350 kcmil	Brown	6TON87SS	87H	B12CH	87H	B12CH	87H	11423	87
600 kcmil	400 kcmil	Green	6TON94SS	94H	–	–	B36CH	94H	11364	94
–	–		–	–			–	–	–	–
700 kcmil	500 kcmil	Pink	–	99H	B39CH	–	B76CH	99H	11424	99
750 kcmil	650 kcmil	Black		106H			B39CH	106H	74506	106
800 kcmil	–	Orange		107H			–	107H	11425	107
–	700 kcmil	Purple		112H			–	112H	11426	112
900 kcmil	750 kcmil	Yellow		115H			–	115H	11308	115
1000 kcmil	800 kcmil	–		–			–	–	125H	11416
–	1000 kcmil	–	–	–	–	140H	11418	140		
–	–	–	–	–	–	150H	11419	150		

\*Colour-coded dies require 15500TB adapter when used with TBM15CR-LI tool.





## Installing Dies

### Tool and Die Index for Copper Compression Connectors For Flexible Rope Stranded or Flexible Stranded Tinned Copper Locomotive Conductor Welding Cable and Portable Cord Short Barrel — Types CTL, CTL-2 and CSP

Conductor Type				Blackburn Tools		Burdny Tools				T&B Tools		Anderson Tools					
Flex Stranded Size	Locomotive Stranding	Welding Cable	Portable Cord	Stranded Cu AWG Size	Die Colour Code	Hyd. JB12B	Crimps per End	Mech. MY29-11	Crimps per End	Hyd. Y35, Y39, Y46	Crimps per End	Hyd. TBM15	Crimps per End	Cu Wire Range for Locomotive Cable	VC6† VC6FT	VC7† VC7FT Crimps per End	VC8††
6	37/24	—	8	8	Red	B71CH				—	—	21					
6	61/24	6	6	6	Blue	B73CH	1		1	U5CD-1 Y34PR3		24	2	—	—	—	
5	91/24	—	—	4	Grey	B74CH				U4CD-1 Y34PR		29					
4	105/24	4	4	3	White	—	—			U3CD-1 Y34PR		—	—				
3	125/24	3	3	2	Brown	B75CH	1		2	U2CD-1 Y34PR	1	33	2	4-3			
2	150/24	2	2	1	Green	B05CH		**		U1CD-1 Y34PR		37		4-2	1		
1	225/24	1	1	1/0	Pink	B06CHI	2			U250-1 Y34PR		42H	3	4-1		2	
1/0	275/24	1/0	1/0	2/0	Black	B72CH	1			U26CD-1 Y34PR		45	2	4-1/0			—
2/0	325/24	2/0	2/0	3/0	Orange	B08CH				U270-1 Y34PR		50		2-2/0	2		
—	—	3/0	3/0	4/0	Purple	B09CH				U280-1 Y34PR		54H	3	—	—	—	
3/0	450/24	4/0	—	250	Yellow	B26CH				U290-1 Y34PR3		62	2	1/0-3/0†		2	
4/0	550/24		4/0	300	White	B12CHI B12CH				U300-1 Y34PR3	2	66		2/0-4/0†		—	
263	650/24			300	Red	B11CH	2			U310-1 Y34PR3		71H	3	3/0-263†	2		
313	775/24			400	Blue	B11CH				Y320-1 Y34PRU3		76	2	4/0-313†		3	
373	925/24			500	Brown	B10CHI B10CH				U340-1 Y34PR3	—	87H		4/0-373†			2†††
444	1100/24		—	600	Green	B36CH	3			C360 Y46PR4		94H	3	262-444		3 VC7FT only	2†††
535	1325/24			750	Black	B39CH†	1			C390 Y46PR4	2	106H		373-535	—	4 VC7FT only	2
646	1600/24			—	—	—	—			—	—	—	—	—		—	—
777	1925/24			1000	—	—	1			C440 Y46PR4	2	125H	4	535-777		—	2

\*\* Adjustable Indent Tool. No insert dies required.

1 HCT7508-12, HCT1239, HCT7508H only.

3 Y39, Y46 only.

4 Y46 only.

† Users of VC6 and VC7 tools must strip off an extra 1-5/8 in. of insulation from end of cable to permit removal of tool over conductor sizes 250 kcmil and larger on Cu connectors.

†† Also use VC8 tool with aluminum nibs.

††† VC8 tool crimps 500 kcmil only.

†††† VC8 tool crimps 500-600 kcmil only.

## Installing Dies

### Tool and Die Index for Copper Compression Connectors Long Barrel — Types CTL-L, LCN and CU

Conductor Type						Blackburn Tools		Burdny Tools				T&B Tools		Anderson Tools			
Flex Stranded Size	Locomotive Stranding	Welding Cable	Portable Cord	Stranded Cu AWG Size	Die Colour Code	Hyd. JB12B	Crimps per End	Mech. MY29-11	Crimps per End	Hyd. Y35, Y39, Y46	Crimps per End	Hyd. TBM15	Crimps per End	Cu Wire Range for Locomotive Cable	VC6†	VC7†	VC8††
8	37/24	—	8	8	Red	B71CH			2	—	—	21					
6	61/24	6	6	6	Blue	B73CH	2		2	U5CD-1 Y34PR3		24	2	—	—	—	
5	91/24	—	—	4	Grey	B74CH			2	U4CD-1 Y34PR		29					
4	105/24	4	4	3	White	—	—		3	U3CD-1 Y34PR		—	—				
3	125/24	3	3	2	Brown	B75CH	2		3	U2CD-1 Y34PR	2	33	2	4-3			
2	150/24	2	2	1	Green	B05CH	2	**	3	U1CD-1 Y34PR		37		4-2	1		
1	225/24	1	1	1/0	Pink	B06CHI	3		3	U250-1 Y34PR		42H	3	4-1		2	
1/0	275/24	1/0	1/0	2/0	Black	B72CH	2		3	U26CD-1 Y34PR		45	2	4-1/0			—
2/0	325/24	2/0	2/0	3/0	Orange	B08CH	2		4	U270-1 Y34PR		50		2-2/0	2		
—	—	3/0	3/0	4/0	Purple	B09CH			4	U280-1 Y34PR		54H	3	—	—	—	
3/0	450/24	4/0		250	Yellow	B26CH			4	U290-1 Y34PR3		62	2	1/0-3/0†		2	
4/0	550/24		4/0	300	White	B12CHI B12CH	3			U300-1 Y34PR3	3	66		2/0-4/0†		—	
263	650/24			300	Red	B11CH				U310-1 Y34PR3		71H	3	3/0-263†	2		
313	775/24			400	Blue	B11CH	2			Y320-1 Y34PRU3		76	2	4/0-313†		3	
373	925/24			500	Brown	B10CHI B10CH	4			U340-1 Y34PR3	—	87H		4/0-373†			2††
444	1100/24	—	—	600	Green	B36CH	6			C360 Y46PR4	2	94H	3	262-444		3 VC7FT only	2††
535	1325/24			750	Black	B39CH†	2			C390 Y46PR4		106H		373-535		4 VC7FT only	2
646	1600/24			—			—			—	—	—	—	—	—	—	—
777	1925/24			1000						C440 Y46PR4	2	125H	4	535-777		—	2
1111	2750/24			1500			2			C460 Y46PR4		—	—	—		—	—

\*\* Adjustable Indent Tool. No insert dies required.

† HCT7508-12, HCT1239, HCT7508H only.

3 Y39 only.

4 Y48B only.

† Users of VC6 and VC7 tools must strip off an extra 1-5/8 in. of insulation from end of cable to permit removal of tool over conductor sizes 250 kcmil and larger on Cu connectors.

†† Also use VC8 tool with aluminum nibs.

††† VC8 tool crimps 500 kcmil only.

## Installing Dies

### Tool and Die Index for Copper Compression Connectors One and two hole Lugs, Splices — Types ATL and ASP

Stranded Al Wire Size	Stranded Cu Wire Size	Die Colour Code	Blackburn Tools				Burndy Tools				T&B Tools				Anderson Tools										
			Mech. OD58	Crimps per End	Mech. HM-250 TOOL	Crimps per End	Hyd. JB12B	Crimps per End	Mech. MY29-3	Crimps per End	Hyd. Y35, Y39	Crimps per End	Mech. TBM5S	Crimps per End	Mech. TBM8S	Crimps per End	Hyd. TBM15	Crimps per End	Stranded Al or Cu Wire Range	VC6† VC6FT	VC8C				
8	6	Blue	1/4	2																					
6	4	Grey	5/16	2		1																			
4	1	Green	P	3																					
3	1/0	Pink	1/2	4																					
2		Gold	1/2-1	3																					
1		Tan	9/16	4	**	2			**																
1/0		Olive	5/8-1	4																					
2/0		Ruby	688	5																					
3/0		White	781	5																					
4/0	300	Red	781	5																					
250	350	Blue	840	5																					
300	400	Brown		5																					
350	500	Green		5																					
400	600	Pink		5																					
500	700	Black		5																					
600				5																					
750				5																					
1000				5																					

\*\* Adjustable Indent Tool. No insert dies required.

1 HCT7508-12, HCT1239, HCT7508H only.

2 Y46 only.

3 Y39 only.

† Users of VC6 and VC7 tools must strip off an extra 1-5/8 in. of insulation from end of cable to permit removal of tool over conductor sizes 250 kcmil and larger on ASP connectors.

†† VC6FT tool only.

††† With Al nibs for VC8C.

## Installing Dies

### Gauging Information for Standard Hex Dies

Die Code	TBM6H	Blackburn and T&B 12, 14- & 15-Ton Tools Colour Coded Dies	21940 Dies	Hex Gauging
Red	6 ton 21	B71CH	-	0.191-0.207
Blue	6 ton 24	B73CH		0.222-0.234
27	-	-	11330	0.262-0.294
Grey	6 ton 29	B74CH	11404	
32	-	-	11332	0.329-0.335
Brown	6 ton 33	B75CH	11402	0.326-0.337
35	-	-	*11403	0.353-0.359
Green	6 ton 37	B05CH	11333	0.369-0.383
40	-	-	*11404	0.397-0.403
42	-	15505F	11334	0.409-0.423
Pink	6 ton 42	B06CHI	-	
Black	6 ton 45	B08CH	11405	0.445-0.459
Orange	6 ton 50	B09CH	11406	0.494-0.506
Olive	-			
Purple	6 ton 54	-	11407	0.535-0.553
57	-	-	-	0.585-0.591
58	-	-	11338	
60	6 ton 60	-	11408	0.613-0.631
Yellow	6 ton 62	B06CH	11340	0.657-0.675
White	6 ton 66	B10CHI	11409	
66H	-	-	-	0.707-0.725
Red	-	-	11363	
Red	6 ton 71	B11CH	-	0.751-0.769
Blue	6 ton 76			
76H	-	-	-	0.790-0.802
78	-	-	11306	
80	6 ton 80	-	11411 15517	
83	-	-	*11370	0.825-0.831

\* Obsolete, consult your Regional Sales Office for availability.  
Gauges may be ordered from T&B Tool Service.

Die Code	TBM6H	Blackburn and T&B 14- & 15-Ton Tools Dies	21940 Dies	Hex Gauging
87	-	-	11423	0.861-0.879
Brown	6 ton 87	B12CH	-	
94	-	-	11364	0.935-0.953
94H	-	-	-	
96	-	-	11304	0.959-0.977
96H	-	-	-	
99	-	-	11424	0.979-0.997
99H	-	-	-	
100	-	-	11365	1.005-1.011
106A	-	-	-	1.049-1.071
Black	-	B39CH	-	
107	-	-	11425	1.064-1.076
107H	-	-	-	
112	-	-	11426	1.118-1.131
112H	-	-	-	
115	-	-	11308	1.141-0.163
115H	-	-	-	
125	-	-	11416	1.239-1.261
125H	-	-	-	
126	-	-	11443	1.247-1.253
130	-	-	11417	1.299-1.305
138	-	-	11366	1.377-1.383
140	-	-	11418	1.369-1.391
140H	-	-	-	
150	-	-	11419	1.459-1.481
150H	-	-	-	
160	-	-	11442	1.609-1.615
161	-	-	11420	
168	-	-	11447	1.684-1.690
175	-	-	11421	1.752-1.744
204	-	-	11448	2.037-2.043
212	-	-	11449	2.120-2.126
214	-	-	11337	2.140-2.146

Gauges may be ordered from T&B Tool Service.

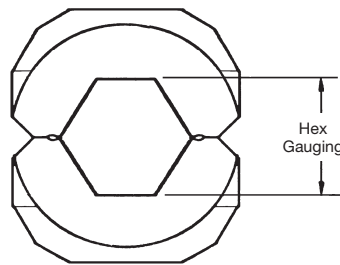


Fig. 2

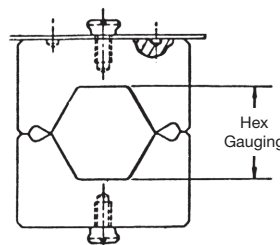


Fig. 1