

30mm Command/52, Chrome Finish Heavy Duty, Watertight/Oiltight Metal Operator, Round Push-Pull Operator Non-Illuminated Mushroom Head Cap Small 1 3/4" (44.5 mm) Plastic, Black 2 Position Maintained, Pull-to-Release UL Listed, CSA Certified NEMA 1,3,3R,4,4X,12,13 & Automotive Standards

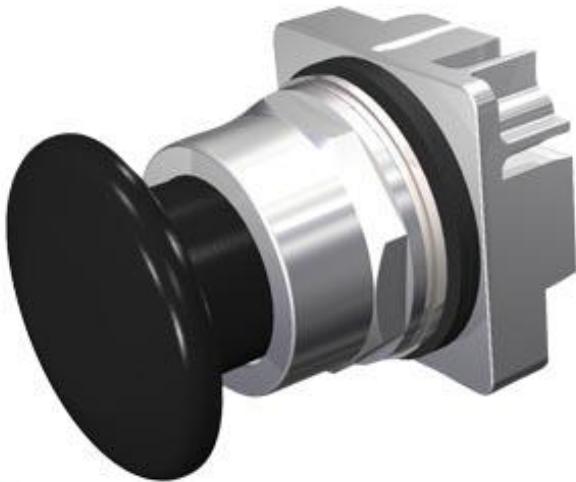


Figure similar

<b>Design of the product</b>	Actuator round
<b>Enclosure</b>	
<b>Number of command points</b>	1
<b>Delivery state</b>	No
<ul style="list-style-type: none"> <li>as a kit</li> </ul>	
<b>Actuator</b>	
<b>Color</b>	black
<ul style="list-style-type: none"> <li>of the actuating element</li> </ul>	
<b>Material of the actuating element</b>	plastic
<b>Type of unlocking device</b>	pull-to-unlatch mechanism
<b>Number of switching positions</b>	2
<b>Front ring</b>	
<b>Product component front ring</b>	Yes
<b>Design of the front ring</b>	standard
<b>Material of the front ring</b>	metal
<b>Color of the front ring</b>	chrome

## Holder

<b>Material of the holder</b>	Metal
-------------------------------	-------

## General technical data

<b>Product component</b>	
• Light source	No
<b>Degree of pollution</b>	1
<b>Protection class IP</b>	IP66

## Ambient conditions

<b>Ambient temperature</b>	
• during operation	-35 ... +70 °C
• during storage	-40 ... +85 °C

## Installation/ mounting/ dimensions

<b>Shape of the installation opening</b>	round
--	-------

## Certificates/ approvals

## Further information

### Information- and Downloadcenter (Catalogs, Brochures,...)

[www.siemens.com/ic10](http://www.siemens.com/ic10)

### Industry Mall (Online ordering system)

<https://mall.industry.siemens.com/mall/en/en/Catalog/product?mfb=US2:52PP2W1>

### Cax online generator

<http://support.automation.siemens.com/WW/CAXorder/default.aspx?lang=en&mfb=US2:52PP2W1>

### Service&Support (Manuals, Certificates, Characteristics, FAQs,...)

<https://support.industry.siemens.com/cs/ww/en/ps/US2:52PP2W1>

### Image database (product images, 2D dimension drawings, 3D models, device circuit diagrams, EPLAN macros, ...)

[http://www.automation.siemens.com/bilddb/cax\\_de.aspx?mfb=US2:52PP2W1&lang=en](http://www.automation.siemens.com/bilddb/cax_de.aspx?mfb=US2:52PP2W1&lang=en)

last modified: 12/18/2019