



DIGITAL MODULE; 4 INPUTS AND 2 RELAY OUTPUTS; INPUT VOLTAGE DC 24V; MONOSTABLE RELAY OUTPUTS; MAXIMUM 2 DIGITAL MODULES PER BASIC UNIT 2

product brand name	SIRIUS
Product designation	digital modules

**General technical data:**

<b>Insulation voltage</b>	
• Rated value	300 V
<b>Vibration resistance</b>	1-6 Hz / 15 mm; 6-500 Hz / 2 g
<b>Surge voltage resistance Rated value</b>	4 000 V
<b>Protection class IP</b>	IP20
<b>Equipment marking</b>	
• acc. to DIN EN 61346-2	K
• acc. to DIN EN 81346-2	K

**Electromagnetic compatibility:**

<b>EMC emitted interference</b>	
• acc. to IEC 60947-1	class A
<b>EMI immunity acc. to IEC 60947-1</b>	corresponds to degree of severity 3
<b>Conducted interference due to burst acc. to IEC 61000-4-4</b>	1 kV
<b>Conducted interference due to conductor-earth surge acc. to IEC 61000-4-5</b>	2 kV
<b>Conducted interference due to conductor-conductor surge acc. to IEC 61000-4-5</b>	1 kV
<b>Field-bound parasitic coupling acc. to IEC 61000-4-3</b>	10 V/m

**Inputs/ Outputs:**

<b>Number of inputs</b>	4
<b>Number of digital inputs</b>	4

Number of analog inputs	0
Number of outputs	2
Number of outputs as contact-affected switching element	2
Number of analog outputs	0
Number of semiconductor outputs	0

#### Installation/ mounting/ dimensions:

mounting position	any
Mounting type	screw and snap-on mounting
Height	92 mm
Width	22.5 mm
Depth	124 mm

#### Connections/ Terminals:

<b>Type of electrical connection</b>	screw-type terminals
<ul style="list-style-type: none"> <li>for auxiliary and control current circuit</li> </ul>	

#### Ambient conditions:

Installation altitude at height above sea level maximum	4 000 m
<b>Ambient temperature</b>	
<ul style="list-style-type: none"> <li>during operation</li> <li>during storage</li> <li>during transport</li> </ul>	-25 ... +60 °C -40 ... +80 °C -40 ... +80 °C
Relative humidity during operation	5 ... 95 %

#### Safety related data:

Protection against electrical shock	finger-safe
-------------------------------------	-------------

#### Control circuit/ Control:

Type of voltage of the control supply voltage	DC
<b>Control supply voltage for DC</b>	
<ul style="list-style-type: none"> <li>Rated value</li> </ul>	24 ... 24 V

#### Certificates/ approvals:

General Product Approval	EMC	For use in hazardous locations
--------------------------	-----	--------------------------------



For use in hazardous locations	Test Certificates	Shipping Approval
--------------------------------	-------------------	-------------------

[Explosion Protection Certificate](#)

[Type Test Certificates/Test Report](#)

[Special Test Certificate](#)



other
-------

[Declaration of Conformity](#)

[Confirmation](#)

[PROFISafe-Certification](#)



Profibus

[PROFINET-Certification](#)

#### Further information

**Information- and Downloadcenter (Catalogs, Brochures,...)**

<http://www.siemens.com/industrial-controls/catalogs>

**Industry Mall (Online ordering system)**

<http://www.siemens.com/industrymall>

**Cax online generator**

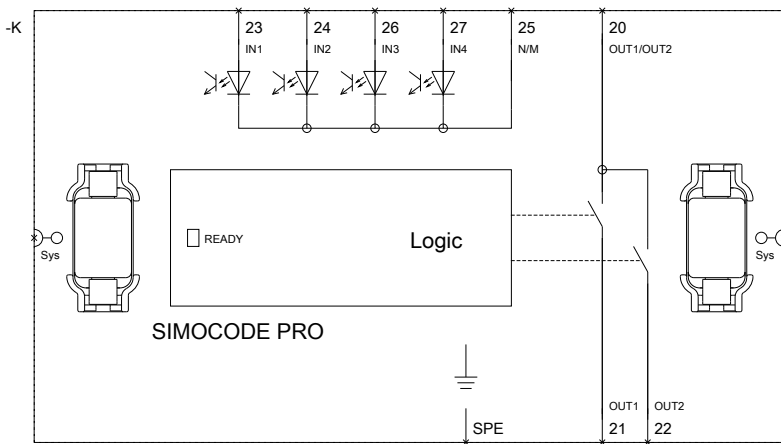
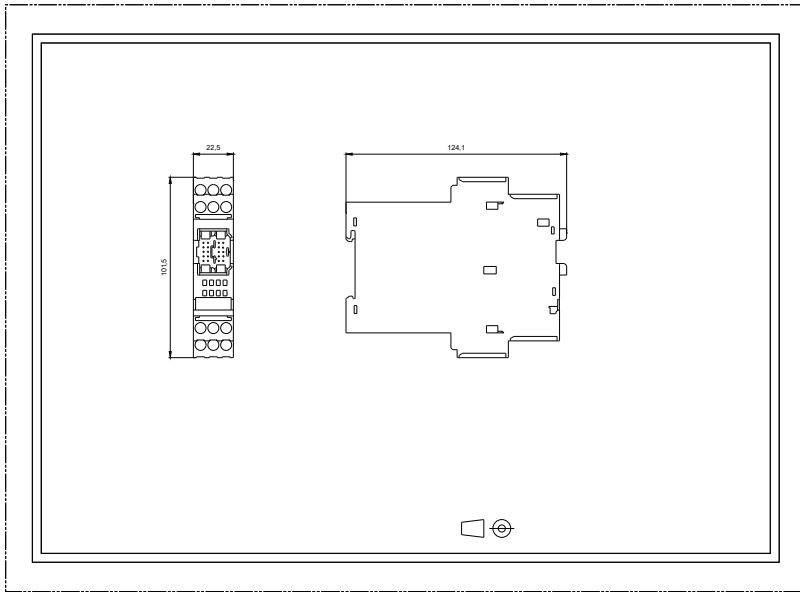
<http://support.automation.siemens.com/WW/CAXorder/default.aspx?lang=en&mfb=3UF73001AB000>

**Service&Support (Manuals, Certificates, Characteristics, FAQs,...)**

<https://support.industry.siemens.com/cs/ww/en/ps/3UF73001AB000>

**Image database (product images, 2D dimension drawings, 3D models, device circuit diagrams, EPLAN macros, ...)**

[http://www.automation.siemens.com/bilddb/cax\\_de.aspx?mfb=3UF73001AB000&lang=en](http://www.automation.siemens.com/bilddb/cax_de.aspx?mfb=3UF73001AB000&lang=en)



last modified:

05.05.2015