

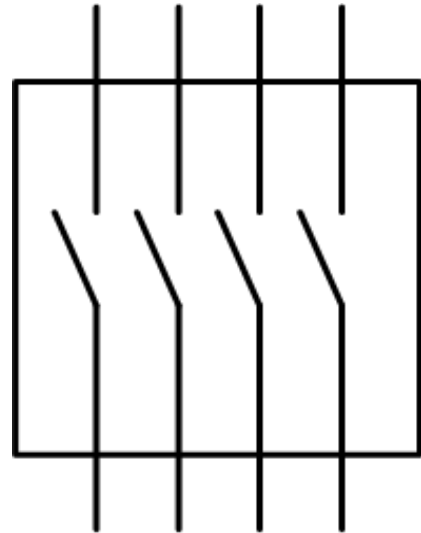
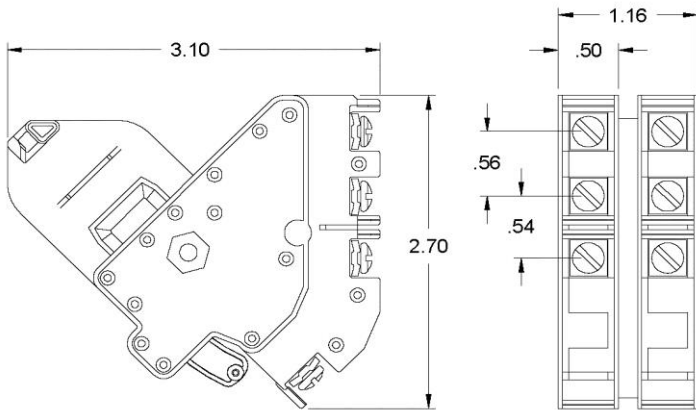


NEMA Contact Block 4NO
Side Mounted Screw Terminal
Size 00-4 for Contactors/Starters
For use on class 14, 22, 30, 40, and 43 Contactors/Starters



Image is representative and may not depict the actual product.

General technical data:	
Weight	.070 lb
Height x Width x Depth	2.70 x 1.16 x 3.10 in.
Finger-safe	No
Maximum altitude	6560 ft
Ambient storage temperature	(-55 to 80)°C / (-67 to 176)°F
Ambient operating temperature	(-35 to 75)°C / (-31 to 167)°F
Humidity (% non-condensing)	(no data)
Rated impulse voltage resistance	(no data)
Rated insulation voltage	(no data)
Country of origin	Mexico
Acceptability for application	Control Power Relay
Number of NC contacts	0
Number of NO contacts	4
Operating Current at A600:	
Continuous current	10A
120 VAC	60A Make / 6A Break
240 VAC	30A Make / 3A Break
480 VAC	15A Make / 1.5A Break
600 VAC	12A Make / 1.2A Break
Voltamperes	7200 Make / 720 Break
Operating Current at P600:	
Continuous current	5.0A
125 VDC	1.1A Make / 1.1A Break
250 VDC	0.55A Make / 0.55A Break
301 to 600 VDC	0.20A Make / 0.20A Break
Voltamperes	138 Make / 138 Break
Mounting/wiring:	
Mounting orientation	Side
Mounting type	Snap-on mounting
Connection type / torque	Screw / 7-10 in-lb
Solid & stranded conductors	1x(10-20 AWG or 2x(14-22 AWG) CU 75°C
Certificates/approvals:	
	UL (file no. E14900)
	cUL (file no. E14900 for Canada)
	CSA (file no. LR 6535)
	ISO 9001 certification
Additional information:	
	Instruction Sheet



4 NO