



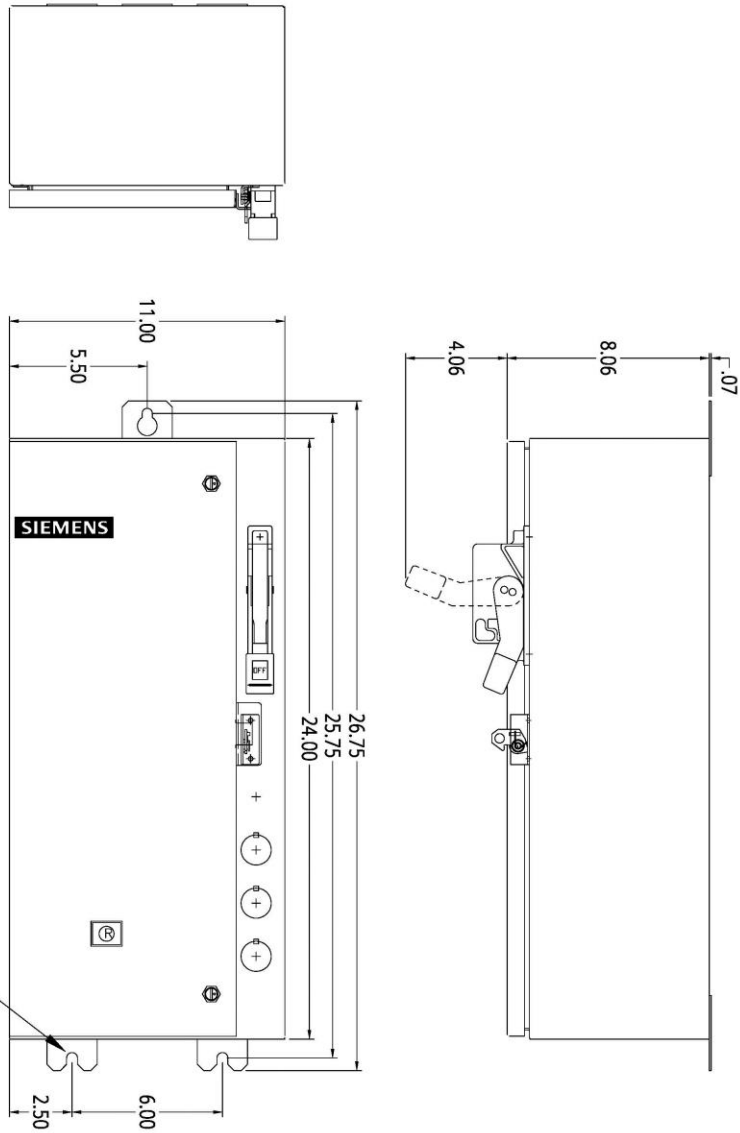
**Enclosure kit**  
**NEMA Type 3/3R/4/12**  
**Dust-tight, watertight & weather proof**  
**Used for field assembly of Class 18 combination starters with motor circuit protector.**



Image is representative and may not depict the actual product.

<b>General technical data:</b>	
Control products assembled with enclosure kit	Class 18 starter NEMA size 0 - 2 with motor circuit protector
Weight	35 lb.
Country of origin	Mexico
<b>Enclosure</b>	
Nominal size (Height x Width x Depth)	24 x 11 x 8 in
NEMA Type	Type 3/3R/4/12
Rating	Dust-tight, watertight & weather proof
Mounting method	Wall mounted
Fabrication method	TOX joining with metal sealant
Type and gauge of material	16 AWG galvanized mild steel
Finish	ANSI 61 gray polyester powder paint finish inside and out
Flanged	Yes
Door / cover type	Hinged
Door / cover removable	Yes
Degrees door swings open	180 degrees minimum
Gasket on door	Yes
Door pocket	No
Concealed hinges	Yes
Latching style and quantity	Two quarter-turn latches
Padlock provision	Yes
Grounding stud on body	No
Grounding stud on door	No
Conduit knockouts included	No
Knockouts or plugged holes in cover or flange included	Yes
<b>Mounting panel</b>	
Panel included	Yes
Nominal size (Height x Width)	21 x 10 in
Type and gauge of material	12 AWG mild steel
Finish	White powder paint finish
<b>Components included</b>	
	Disconnect handle and mechanism Overload relay reset operator Power wire Hardware and instruction sheets
<b>Required components that must be ordered separately</b>	
	Motor starter Motor circuit protector
<b>Industry standards</b>	
	UL 508 Listed File No. 14900 cUL Listed per CSA C22.2 No 14 File No. 14900

# OUTLINE 24X11X8 NEMA 12/3/3R/4



MOUNTING HOLES FOR  
1/4" SCREWS QTY. 3

DIMENSIONS ARE IN INCHES.  
FILE NAME: SFIS-D68774004-0211