

box terminal w. control wire voltage tap-off 3 units accessory for:
3VA6 150/250



Model	
Product brand name	SENTRON
Product designation	accessories
Accessories	Box terminal





General technical data	
Designation / of the terminal	TS1.2

Connections according IEC	
IEC-marking / of terminals	NXB 6-120 mm ² AWG10-3/0
Connectable conductor cross-section	
<ul style="list-style-type: none"> • for copper cable / stranded / minimum • for copper cable / stranded / maximum 	6 mm ² 120 mm ²
Wire stripping length	19 mm
Tightening torque / when using copper cables	
<ul style="list-style-type: none"> • solid 	6 - 16 mm ² : 6 Nm

Connections according UL

UL-marking / of terminals	TS1.2 Xuebote
Wire stripping length	0.75 in
Connectable conductor cross-section	
<ul style="list-style-type: none"> • for copper cable / solid / minimum • for copper cable / solid / maximum • for copper cable / stranded / minimum • for copper cable / stranded / maximum • for copper cable / finely stranded / minimum • for copper cable / finely stranded / maximum 	10 AWG 10 AWG 10 AWG 3/0 AWG 10 AWG 3/0 AWG
Tightening torque / when using copper cables	
<ul style="list-style-type: none"> • stranded • finely stranded 	10 - 4 AWG: 105 lb-in 3 - 3/0 AWG: 140 lb-in 10 - 4 AWG: 105 lb-in 3 - 3/0 AWG: 140 lb-in

Certificates

General Product Approval	EMC	Declaration of Conformity	Shipping Approval
 UL		 EG-Konf.	 LRS

[Miscellaneous](#)



other

[Manufacturer Declaration](#)

[Miscellaneous](#)

Further information

Information- and Downloadcenter (Catalogs, Brochures,...)

<http://www.siemens.com/lowvoltage/catalogs>

Industry Mall (Online ordering system)

<https://mall.industry.siemens.com/mall/en/en/Catalog/product?mlfb=3VA9143-0JH12>

Service&Support (Manuals, Certificates, Characteristics, FAQs,...)

<https://support.industry.siemens.com/cs/ww/en/ps/3VA9143-0JH12>

Image database (product images, 2D dimension drawings, 3D models, device circuit diagrams, ...)

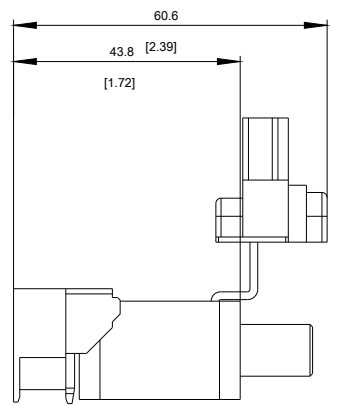
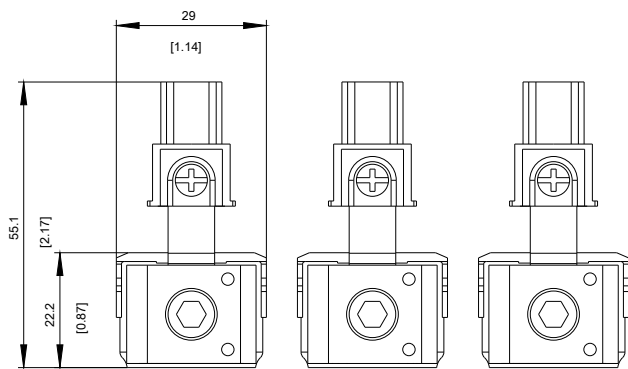
http://www.automation.siemens.com/bilddb/cax_en.aspx?mlfb=3VA9143-0JH12

CAX-Online-Generator

<http://www.siemens.com/cax>

Tender specifications

<http://www.siemens.com/specifications>



last modified:

05/06/2020