





Side rotary operating mechanism Emergency stop IEC IP65 with mounting bracket Lighting kit 24 V DC Accessory for: 3VA6 150/250 3VA5 250



| Model                            |                                   |
|----------------------------------|-----------------------------------|
| Product brand name               | SENTRON                           |
| Product designation              | Accessories                       |
| Design of the product            | Side wall-mounted rotary operator |
| accessories                      | SIDE WALL-MOUNTED ROTARY OPERATOR |
| General technical data           |                                   |
| Degree of protection NEMA rating | NEMA 1, 3R, 12                    |
| Protection class IP              | IP65                              |
| Mechanical Design                |                                   |
| Height                           | 82 mm                             |
| Certificates                     |                                   |

| General Product Approval  | EMC  | Declaration of Conformity  | other  |
|---|--|--|--|
| <br>UL | <br>EAC | <br>RCM | <br>EG-Konf.<br><a href="#">Miscellaneous</a> |

#### Further information

**Information- and Downloadcenter (Catalogs, Brochures,...)**

<http://www.siemens.com/lowvoltage/catalogs>

**Industry Mall (Online ordering system)**

<https://mall.industry.siemens.com/mall/en/en/Catalog/product?mlfb=3VA9277-0PK57>

**Service&Support (Manuals, Certificates, Characteristics, FAQs,...)**

<https://support.industry.siemens.com/cs/ww/en/ps/3VA9277-0PK57>

**Image database (product images, 2D dimension drawings, 3D models, device circuit diagrams, ...)**

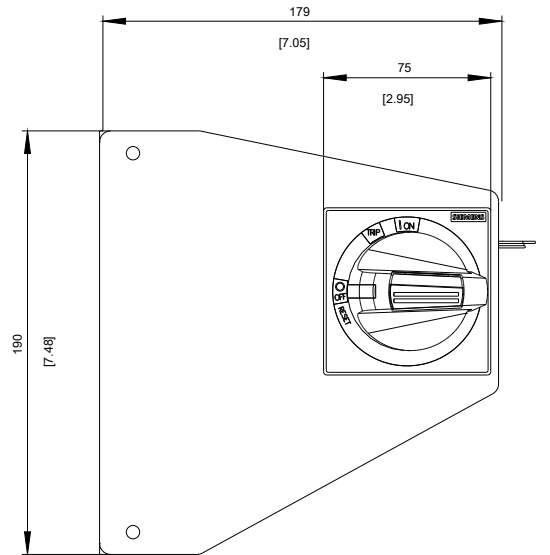
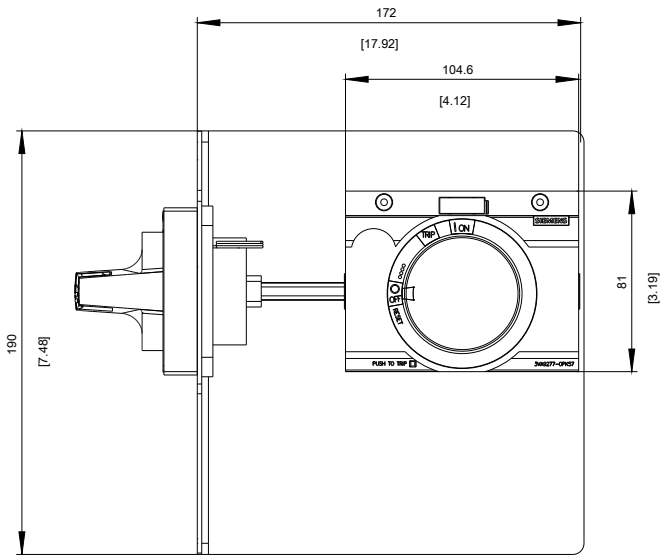
[http://www.automation.siemens.com/bilddb/cax\\_en.aspx?mlfb=3VA9277-0PK57](http://www.automation.siemens.com/bilddb/cax_en.aspx?mlfb=3VA9277-0PK57)

**CAX-Online-Generator**

<http://www.siemens.com/cax>

**Tender specifications**

<http://www.siemens.com/specifications>



**last modified:**

02/24/2018