

Operating Unit with Rod Variable Depth Flange Mounted operator kit, 3 pole: consisting of: handle steel chrome plated NEMA 4/4X black=OFF, black=ON Switching mechanism Mounting depth 8" to 16" Accessory for: 3VA5 400, 3VA5 600 3VA6 400, 3VA6 600



Model	
Product brand name	SENTRON
Product designation	Accessories
Accessories	MANUAL LEVER OPERATING MECHANISM
Mechanical Design	
Net weight	2 500 g
Certificates	

General Product Approval	EMC	Declaration of Conformity
--------------------------	-----	---------------------------



[Miscellaneous](#)



Shipping Approval	other
-------------------	-------



LRS

[Miscellaneous](#)

Further information

Information- and Downloadcenter (Catalogs, Brochures,...)

<http://www.siemens.com/lowvoltage/catalogs>

Industry Mall (Online ordering system)

<https://mall.industry.siemens.com/mall/en/en/Catalog/product?mfb=3VA9478-0DK84>

Service&Support (Manuals, Certificates, Characteristics, FAQs,...)

<https://support.industry.siemens.com/cs/ww/en/ps/3VA9478-0DK84>

Image database (product images, 2D dimension drawings, 3D models, device circuit diagrams, ...)

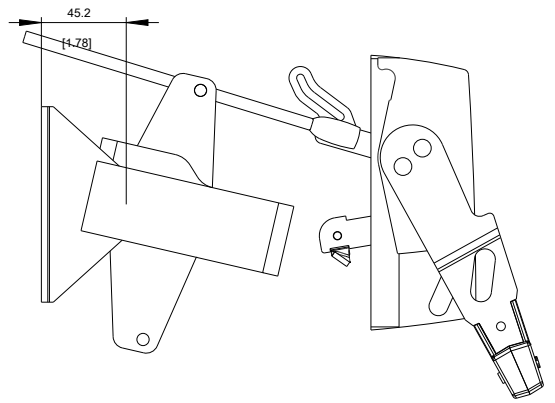
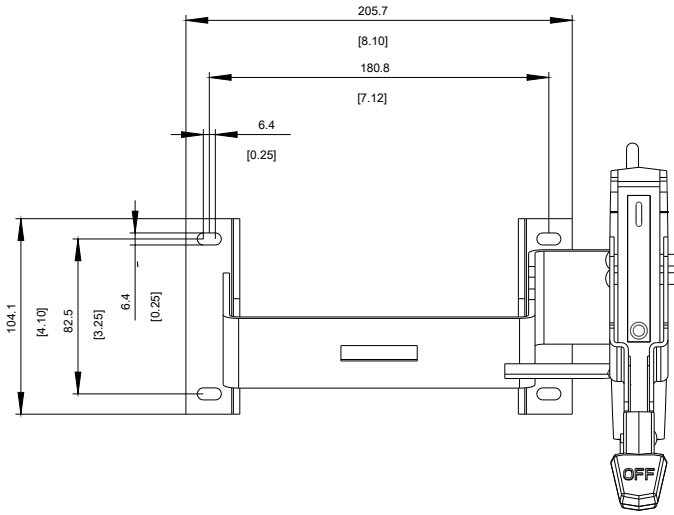
http://www.automation.siemens.com/bilddb/cax_en.aspx?mfb=3VA9478-0DK84

CAX-Online-Generator

<http://www.siemens.com/cax>

Tender specifications

<http://www.siemens.com/specifications>



last modified:

12/18/2018