

Door mounted rotary operator standard IEC IP65 with door interlocking accessory for: 3VA55/3VA65/3VA66



Model	
product brand name	SENTRON
product designation	Accessories
Product version	Door-coupling rotary operating mechanism
General technical data	
degree of protection NEMA rating	NEMA 1, 3R, 12, 4, 4X
protection class IP	IP65
Voltage	
Current	
Connections according IEC	
Connections according UL	
Further information	

Information- and Downloadcenter (Catalogs, Brochures,...)

<http://www.siemens.com/lowvoltage/catalogs>

Industry Mall (Online ordering system)

<https://mall.industry.siemens.com/mall/en/en/Catalog/product?mlfb=3VA9677-0FK21>

Service&Support (Manuals, Certificates, Characteristics, FAQs,...)

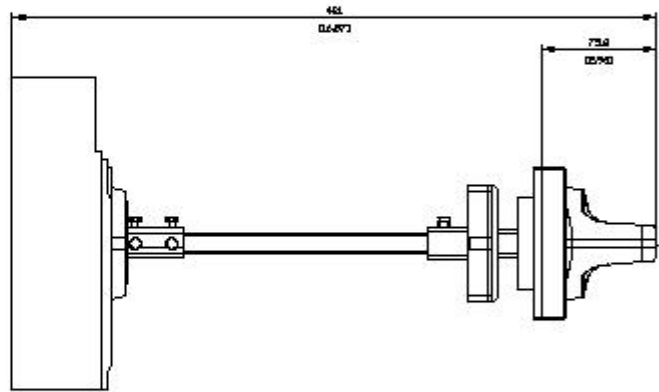
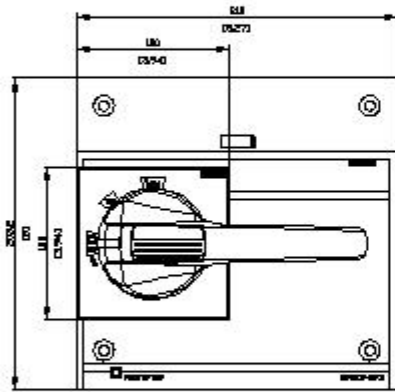
<https://support.industry.siemens.com/cs/ww/en/ps/3VA9677-0FK21>

Image database (product images, 2D dimension drawings, 3D models, device circuit diagrams, ...)

http://www.automation.siemens.com/bilddb/cax_en.aspx?mlfb=3VA9677-0FK21

Tender specifications

<http://www.siemens.com/specifications>



last modified:

12/20/2020 