

Door mounted rotary operator standard NEMA type 1, 3R, 12, 4/4X with door interlocking and door open function accessory for: 3VA55/3VA65/3VA66



Model		
product brand name	SETRON	
product designation	Accessories	
Product version	Door-coupling rotary operating mechanism	
General technical data		
degree of protection NEMA rating	NEMA 1, 3R, 12, 4, 4X	
protection class IP	IP65	
Voltage		
Current		
Connections according IEC		
Connections according UL		
Certificates		
General Product Approval	EMC	Declaration of Conformity

Miscellaneous



Declaration of Conformity	Shipping Approval	other
---------------------------	-------------------	-------



[Manufacturer Declaration](#)

[Miscellaneous](#)

Further information

Information- and Downloadcenter (Catalogs, Brochures,...)

<http://www.siemens.com/lowvoltage/catalogs>

Industry Mall (Online ordering system)

<https://mall.industry.siemens.com/mall/en/en/Catalog/product?mlfb=3VA9677-0FK31>

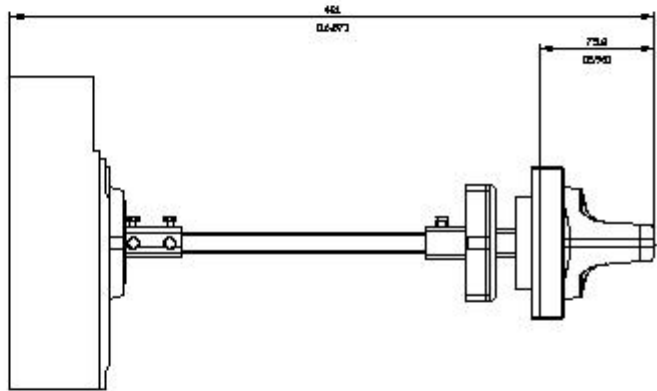
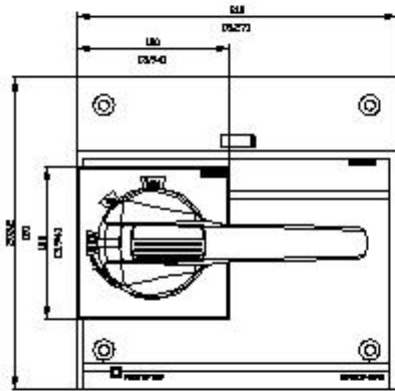
Service&Support (Manuals, Certificates, Characteristics, FAQs,...)

<https://support.industry.siemens.com/cs/ww/en/ps/3VA9677-0FK31>

Image database (product images, 2D dimension drawings, 3D models, device circuit diagrams, ...)

http://www.automation.siemens.com/bilddb/cax_en.aspx?mlfb=3VA9677-0FK31

Tender specifications



last modified:

7/31/2020 