



DIAZED base DII 25 A 500 V AC DC 500 V AC DC

Figure similar

Model	
product brand name	SETRON
product designation	DIAZED fuse system
design of the product	DIAZED base, head contact/clamp-type terminal
design of the fuse base	gauge inset
General technical data	
number of poles	1
size of fuse system according to EN 60269-1	DII
Supply voltage	
supply voltage at AC	500 V
operational current rated value	25 A
Product details	
product component cover	No
Mechanical Design	
height	70 mm
width	38.4 mm
depth	46.6 mm
fastening method	
net weight	105 g
material of the enclosure	porcelain

Approvals Certificates	
General Product Approval	other



[Confirmation](#)



[Miscellaneous](#)

other	Environment
-------	-------------

[Confirmation](#)

[Environmental Confirmations](#)

### Further information

Information on the packaging  
<https://support.industry.siemens.com/cs/ww/en/view/109813875>  
 Information- and Downloadcenter (Catalogs, Brochures,...)

<http://www.siemens.com/lowvoltage/catalogs>

Industry Mall (Online ordering system)

<https://mall.industry.siemens.com/mall/en/en/Catalog/product?mlfb=5SF1005>

Service&Support (Manuals, Certificates, Characteristics, FAQs,...)

<https://support.industry.siemens.com/cs/ww/en/ps/5SF1005>

Image database (product images, 2D dimension drawings, 3D models, device circuit diagrams, ...)

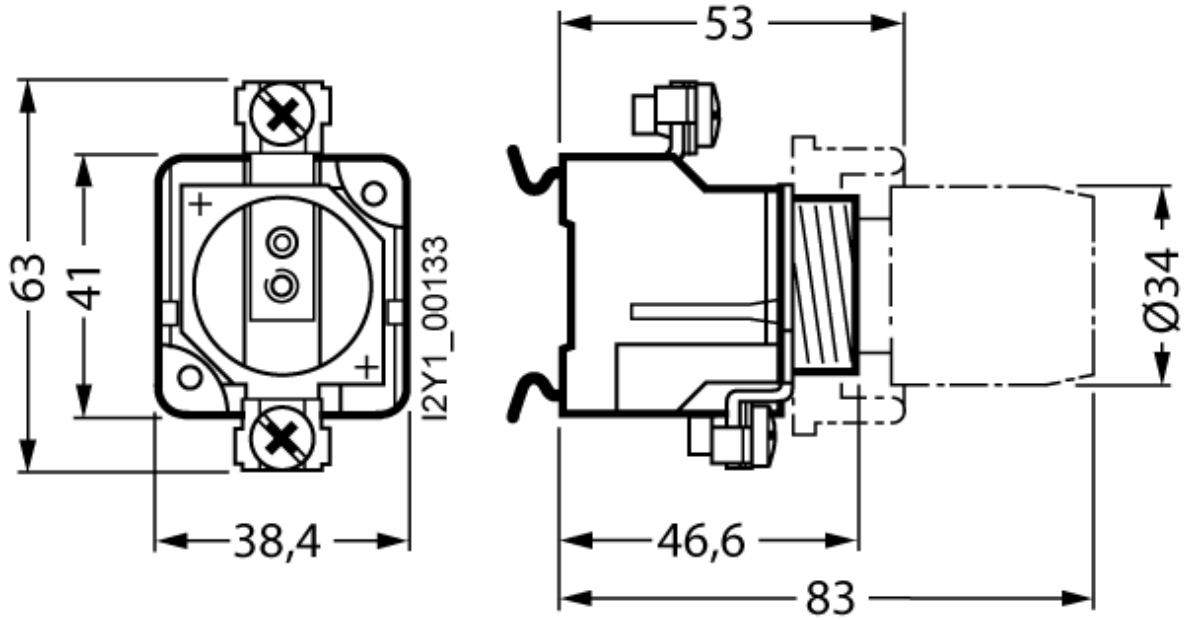
[http://www.automation.siemens.com/bilddb/cax\\_en.aspx?mlfb=5SF1005](http://www.automation.siemens.com/bilddb/cax_en.aspx?mlfb=5SF1005)

CAX-Online-Generator

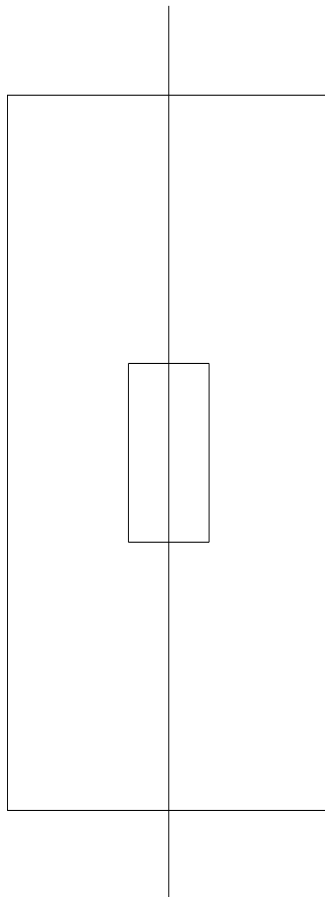
<http://www.siemens.com/cax>

Tender specifications

<http://www.siemens.com/specifications>



**F**



last modified:

6/19/2021



