

Device circuit breaker 1-pole with auxiliary switch NO contact
 Characteristic F2 6A 230 V AC 50/60 Hz 60 V DC Icn 3 kA AC
 according to IEC 60934



Model	
Product brand name	SENTRON
Product designation	Device protection switch
General technical data	
Number of poles	1
Tripping characteristic class	F2
Mechanical service life (switching cycles) / typical	6 000
Overvoltage category	III
Degree of pollution	2
Supply voltage	
Type of voltage	AC/DC
Operating current / at AC / rated value	6 A
Supply voltage	
• at AC / rated value	230 V
• at DC / rated value	60 V
Operating voltage	
• at DC / rated value / maximum	72 V
Supply voltage frequency	

• rated value	50/60 Hz
Protection class	
Protection class IP	IP20
Dissipation	
Power loss [W] / for rated value of the current / at AC / in hot operating state / per pole	1.12 W
Current	
Tripping residual / rated value / derated current / at 40 Cel	5.5 A
Product details	
Product function / neutral conductor switching	No
Product feature / Touch protection	Yes
Product component	
• combined terminal top	No
• combined terminal bottom	No
Product feature	
• Properties for main switches in accordance with EN 60204-1	Yes
• halogen-free	Yes
• sealable	Yes
• silicon-free	Yes
Product extension / can be installed / supplementary devices	Yes
Connections	
Connectable conductor cross-section / solid	
• minimum	0.5 mm ²
• maximum	16 mm ²
Connectable conductor cross-section / stranded	
• minimum	0.5 mm ²
• maximum	16 mm ²
Connectable conductor cross-section / finely stranded / with core end processing	
• minimum	0.5 mm ²
• maximum	10 mm ²
AWG number / as coded connectable conductor cross section	
• minimum	20
• maximum	6
Tightening torque [lbf·in] / with screw-type terminals	
• minimum	17.7 lbf·in
Tightening torque / with screw-type terminals	

• minimum	2 N·m
• maximum	2.5 N·m
Position / of power supply cord	Any

Mechanical Design

Height	90 mm
Width	18 mm
Depth	76 mm
Installation depth	70 mm
Number of width units	1
Mounting type	standard rail
Net weight	107.2 g

Environmental conditions

Ambient temperature	
• minimum	-25 °C
• maximum	60 °C
Ambient temperature / during storage	
• minimum	-40 °C
• maximum	70 °C
Number of test cycles / for environmental testing / acc. to IEC 60068-2-30	6

Certificates

Reference code	
• acc. to DIN EN 61346-2	F
• acc. to DIN EN 81346-2	F

General Product Approval	Declaration of Conformity	Test Certificates
---------------------------------	----------------------------------	--------------------------



[Miscellaneous](#)



[Miscellaneous](#)

Further information

Information- and Downloadcenter (Catalogs, Brochures,...)

<http://www.siemens.com/lowvoltage/catalogs>

Industry Mall (Online ordering system)

<https://mall.industry.siemens.com/mall/en/en/Catalog/product?mlfb=5SY1706-4>

Service&Support (Manuals, Certificates, Characteristics, FAQs,...)

<https://support.industry.siemens.com/cs/ww/en/ps/5SY1706-4>

Image database (product images, 2D dimension drawings, 3D models, device circuit diagrams, ...)

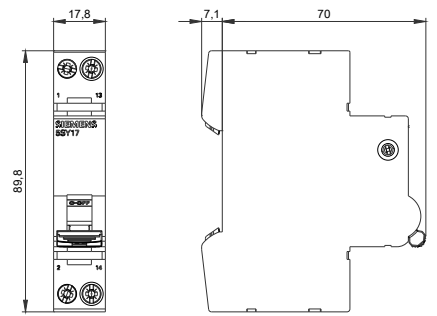
http://www.automation.siemens.com/bilddb/cax_en.aspx?mlfb=5SY1706-4

CAX-Online-Generator

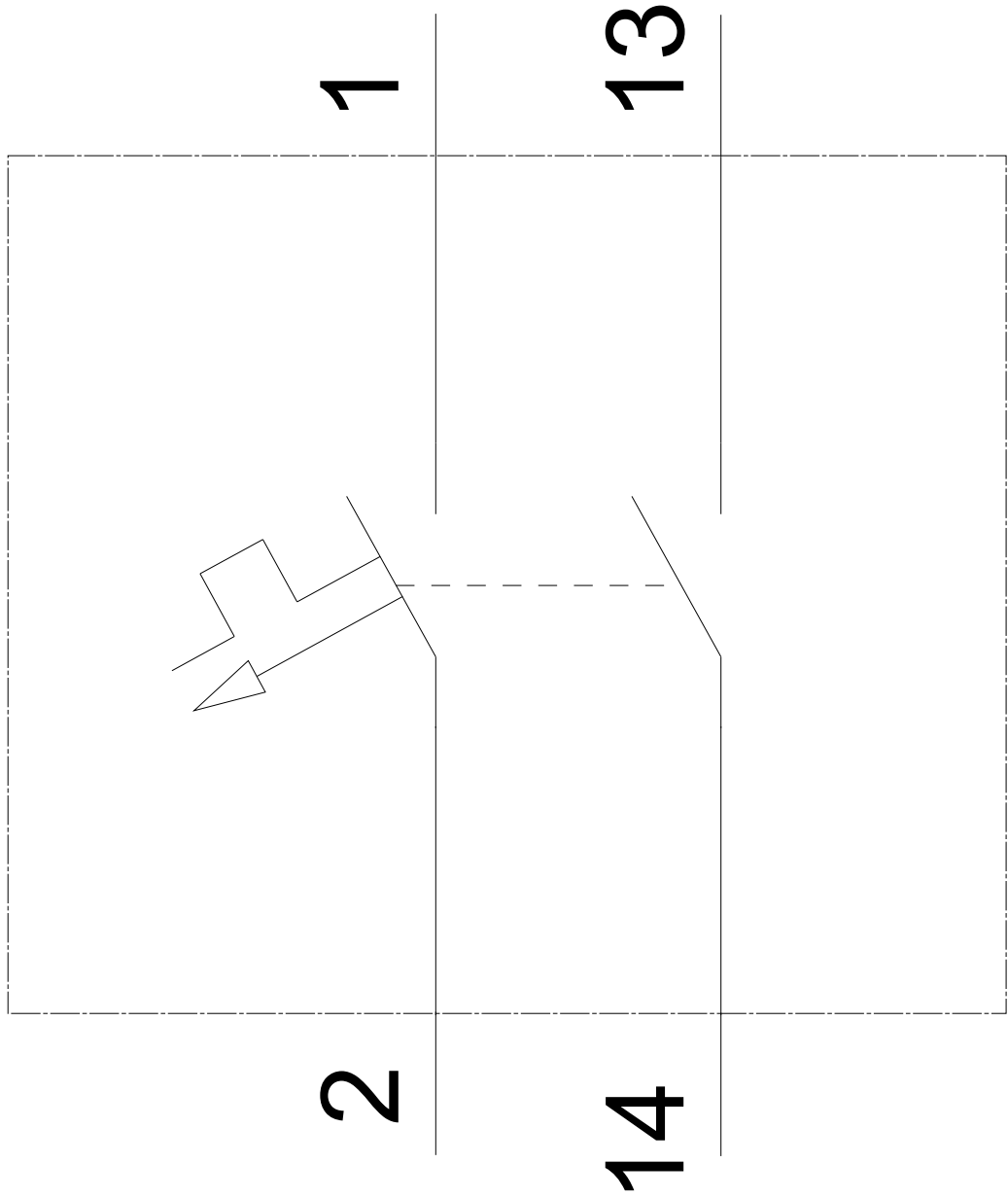
<http://www.siemens.com/cax>

Tender specifications

<http://www.siemens.com/specifications>



17



4
I

