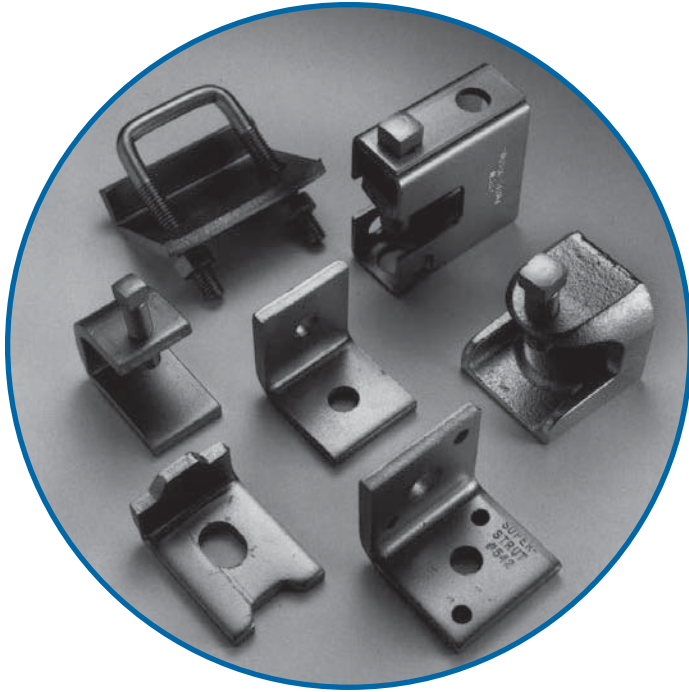


## Beam Clamps

.....



### Design Loads

Where design loads are indicated, they provide for a safety factor of 3 in conformance with the American Standard Code for Pressure Piping. For more information, see page A57 for Engineering Data and Specifications.

### Finishes and Special Materials

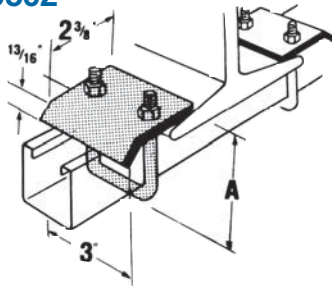
Hot-Dipped Galvanized (HDGC) is standard for all Superstrut® beam clamps. The material is zinc coated after fabrication providing total product protection on all surfaces. The fabricated beam clamps are suspended and then dipped into tanks of hot zinc for a prolonged period, creating a coherent bond.

Selected beam clamps can also be available in GoldGalv® (no suffix) or Stainless Steel Type 316 (SS6C). Contact your Regional Sales Office for availability and minimum quantities.

## Beam Clamps

### Beam Clamps for Mounting Channel

#### U501, U502



**\*Finishes**

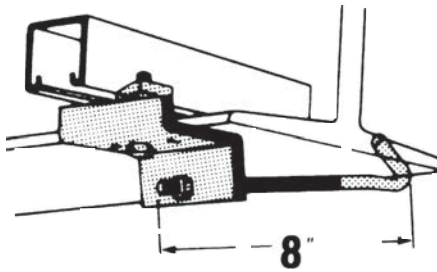
- HDG
- EG
- GoldGalv®
- SS6C

Cat. No.	For Channel	Size (in.)	Wt./C lb.
<b>U501*</b>	A1200 A1400	3-3/16	90
	B1200 B1400		
	C1200 B1402		
<b>U502*</b>	A1202 A1402	4-13/16	100
	C1202 H1200		

Furnished complete.  
Design Load U501 : 2150 lb.  
U502 : 3000 lb.

#### U504

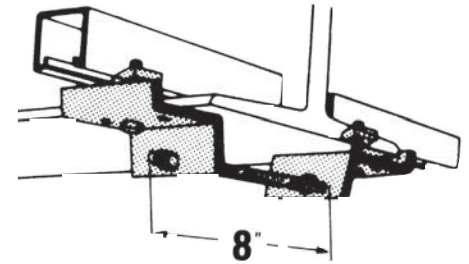
- U504HDG
- U504EG
- U504
- U504SS6



Can be used with all channels.  
Wt./C 140 lb.

#### U505

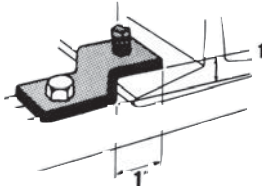
- U505HDG
- U505EG
- U505



Can be used with all channels.  
Wt./C 270 lb.

#### U510

- U510HDGC
- U510EG
- U510
- U510SS6

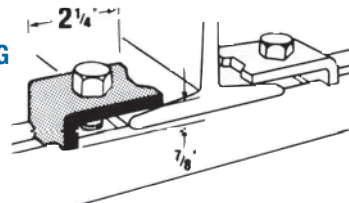


Design Load/lb.	Channel
1000	A-1200
800	A-1400

1/2 in. x 1-1/2 in. set screw included.  
Order separately one 1/2 in. x 1-1/2 in. hex head cap screw and 1/2 in. channel nut.  
Wt./C 75 lb.

#### 512U

- 512UHDG
- 512UEG
- 512U

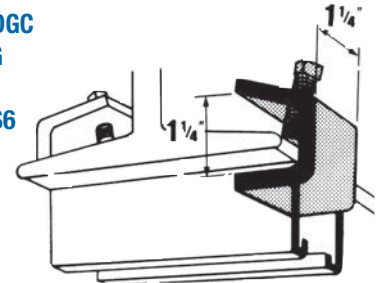


Design Load/lb.	Channel
1000	A-1200
800	A-1400

Order separately one 1/2 in. x 1-1/2 in. hex head cap screw and 1/2 in. channel nut.  
Wt./C 26 lb.

#### U514

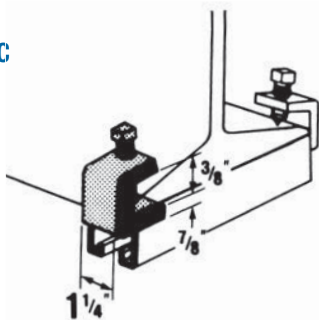
- U514HDGC
- U514EG
- U514
- U514SS6



3/8 in. x 1-1/2 in. set screw included.  
Design Load 750 lb./pair  
Wt./C 40 lb.

#### U514-A

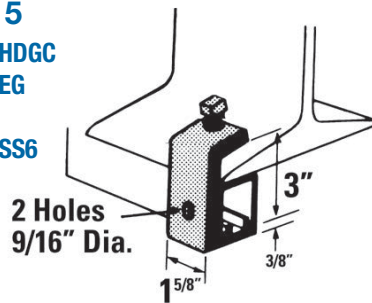
- U514-AHDGC
- U514-AEG
- U514-A
- U514-ASS6



1/2 in. x 1-1/2 in. set screw included.  
Design Load 1650 lb./pair  
Wt./C 59 lb.

#### U515

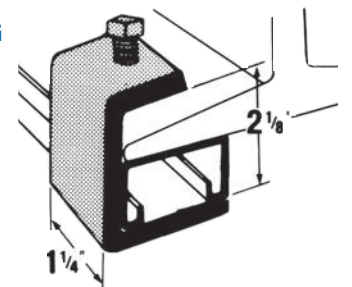
- U515HDGC
- U515EG
- U515
- U515SS6



For all A Series channel.  
1/2 in. x 1-1/2 in. set screw included.  
Design Load 800 lb.  
Wt./C 95 lb.

#### U515B

- U515BHDG
- U515BEG
- U515B
- U515BSS6



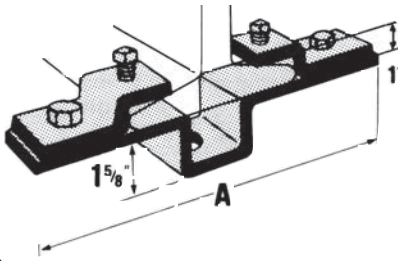
For all B Series channel.  
1/2 in. x 1-1/2 in. set screw included.  
Design Load 800 lb.  
Wt./C 91 lb.

Materials	HDG(C)	→ Hot-Dipped Galvanized
	EG(C)	→ ElectroGalvanized
	(No suffix)	→ GoldGalv®
	SS6(C)	→ Stainless Steel 316

## Beam Clamps

### Beam Clamps for Mounting Channel

#### U520, U521, U522



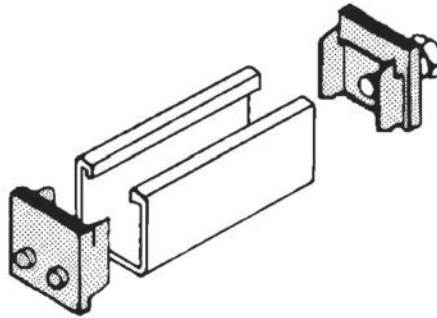
\*Finishes  
• GoldGalv®

Cat. No.	Flange Width	A	Wt./C lb.	Design Load lb./ea
U520*	2-3/8 - 4-1/2	8-3/4	328	2000
U521*	3-3/4 - 5-3/4	10	343	1300
U522*	5-5/8 - 7-5/8	11-7/8	353	900

Nuts, cap screws and set screws included.

#### U544 Single Adjusting Screw End Cap Set

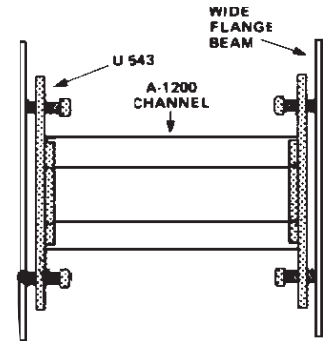
U544EG



Should be ordered as one set.  
Wt./C 39 lb.

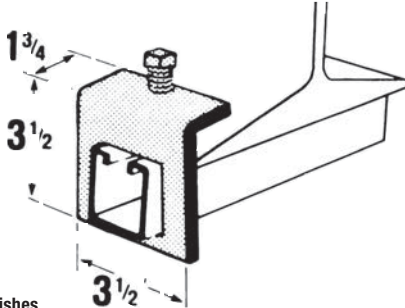
#### U543 Adjusting Screw End Caps

U543HDG  
U543EG  
U543



Should be ordered in multiples of two (2).  
Wt./C 44 lb.

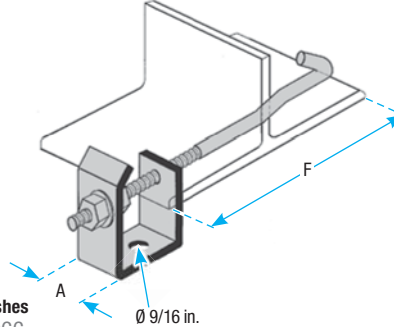
#### A597



\*Finishes  
• HDGC  
• SS6C

Cat. No.	Channel Series	Wt./C lb.	Design Load lb./ea
A597*	A	108	800

#### U570-1, U570-2



\*Finishes  
• HDGC

Cat. No.	A (in.)	F (in.)	Wt./C lb.	Design Load lb./ea
U570-1*	1-1/2	4 to 9	240	800
U570-2*	1-1/2	7 to 17	300	800

Materials	HDG(C)	EG(C)	(No suffix)	SS6(C)
	→ Hot-Dipped Galvanized	→ ElectroGalvanized	→ GoldGalv®	→ Stainless Steel 316

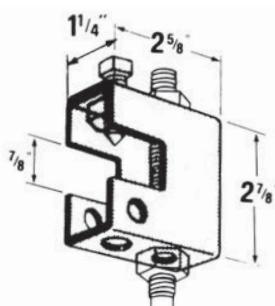
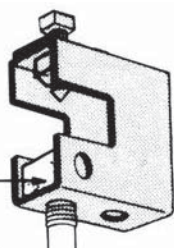
## Beam Clamps

### Beam Clamps for Hanging Rod

#### U562 Beam Clamp

U562HDG  
U562EG  
U562  
U562SS6

Optional Use of  
U562HDG  
Beam Clamp



E146 square nut order separately.  
1/2 in. set screw included.

1/2 in. set screw included.

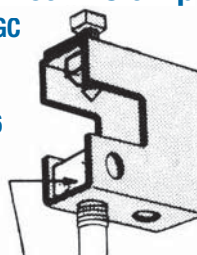
Rod Size (in.)	Wt./C lb.	Design Load lb./ea
1/2	80	800

Rod Size (in.)	Wt./C lb.	Design Load lb./ea
1/2	80	500

For 20° swivel application use ES-145-1/2 nut.

#### UM562 Beam Clamp

UM562HDGC  
UM562EG  
UM562  
UM562SS6



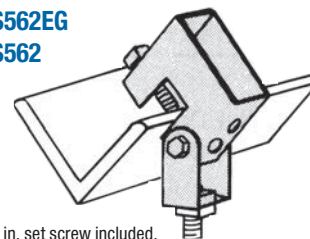
E146 square nut order separately.  
1/2 in. set screw included.

Rod Size (in.)	Wt./C lb.	Design Load lb./ea
1/2	100	1200

For 20° swivel application use ES-145-1/2 nut.

#### US562 Beam Clamp with Swing Hanger

US562HDG  
US562EG  
US562



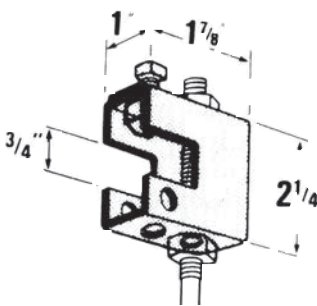
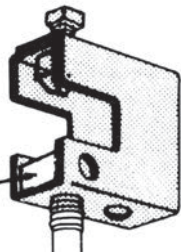
1/2 in. set screw included.

Rod Size (in.)	Wt./C lb.	Design Load lb./ea
1/2	113	800

#### U563 Beam Clamp

U563HDG  
U563EG  
U563  
U563SS6

Optional Use of  
U563HDG  
Beam Clamp



Square nut order separately.  
3/8 in. set screw included.

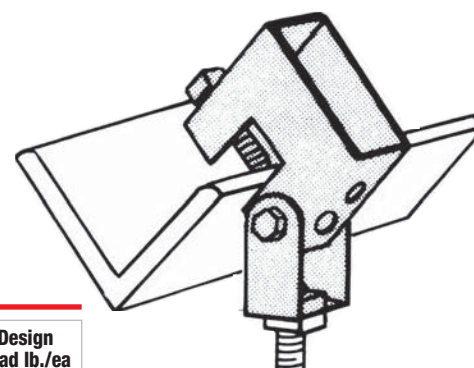
3/8 in. set screw included.

Rod Size (in.)	Wt./C lb.	Design Load lb./ea
3/8	33	400

Rod Size (in.)	Wt./C lb.	Design Load lb./ea
3/8	33	240

#### US563 Beam Clamp with Swing Hanger

US563HDG  
US563

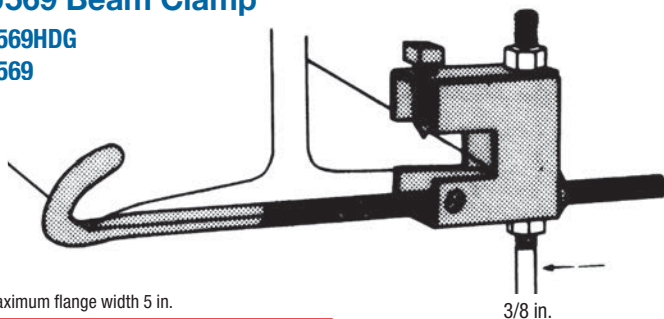


3/8 in. set screw included.

Rod Size (in.)	Wt./C lb.	Design Load lb./ea
3/8	50	400

#### U569 Beam Clamp

U569HDG  
U569

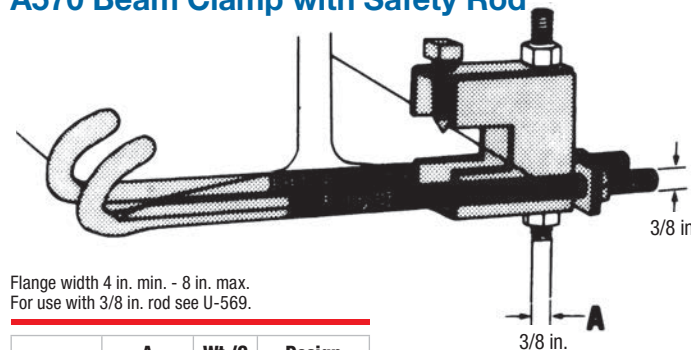


Maximum flange width 5 in.

Cat. No.	A Size (in.)	Wt./C lb.	Design Load lb./ea
U569	3/8	150	400

#### A570 Beam Clamp with Safety Rod

A570HDG



Flange width 4 in. min. - 8 in. max.  
For use with 3/8 in. rod see U-569.

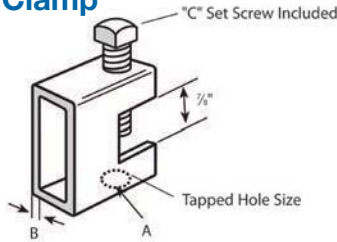
Cat. No.	A Size (in.)	Wt./C lb.	Design Load lb./ea
A570HDG	1/2	220	500

Materials	HDG(C)	EG(C)	(No suffix)	SS6(C)
	→ Hot-Dipped Galvanized	→ Electrogalvanized	→ GoldGalv®	→ Stainless Steel 316

## Beam Clamps

### Beam Clamps for Hanging Rod

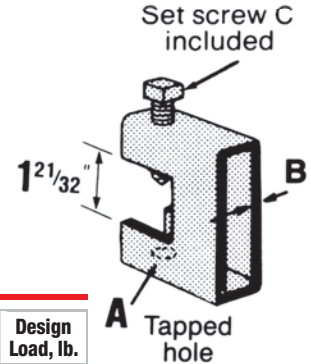
#### U560 Heavy Duty Beam Clamp



- \*Finishes
- GoldGalv®
  - EG

Cat. No.	A (in.)	B (in.)	C (in.)	Wt./C lb.	Design Load, lb.
U560-1/4*	1/4	1/8	3/8 x 1-1/2	67	1050
U560-3/8*	3/8	1/8	3/8 x 1-1/2	67	1050
U560-1/2*	1/2	1/4	1/2 x 1-1/2	130	2650
U560-5/8*	5/8	1/4	1/2 x 1-1/2	130	2650

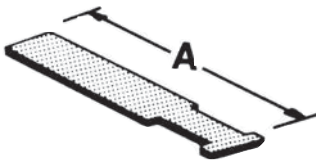
#### U564 Heavy Duty Beam Clamp



- \*Finishes
- GoldGalv®
  - EG

Cat. No.	A (in.)	B (in.)	C (in.)	Wt./C lb.	Design Load, lb.
U564-3/8*	3/8	1/8	3/8 x 2-3/4	109	1300
U564-1/2*	1/2	1/4	1/2 x 2-3/4	201	3150
U564-5/8*	5/8	1/4	1/2 x 2-3/4	201	3150

#### U568 Beam Clamp Safety Strap

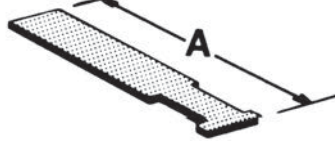


For U563 beam clamp.

Cat. No.	Beam Flange Width (in.)	A (in.)	Wt./C lb.
U568-1EG	6	8	18
U568-2EG	9	11	28

16 gauge material

#### U568 Beam Clamp Safety Strap



For U562 and UM562 beam clamp.

Cat. No.	Beam Flange Width (in.)	A (in.)	Wt./C lb.
U568-3EG	6	9	25
U568-4EG	9	12	33
U568-5EG	12	15	42

16 gauge material

#### U568 Beam Clamp Safety Strap

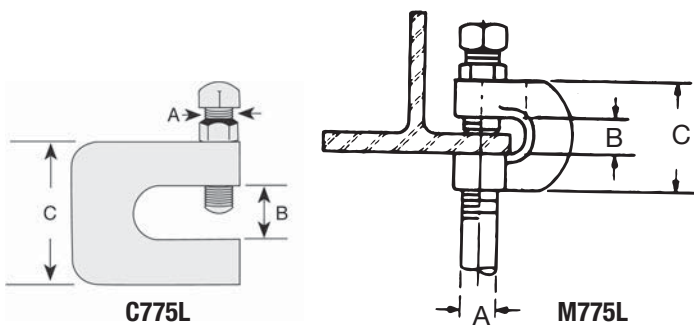


For U560 and U564 beam clamp.

Cat. No.	Beam Flange Width (in.)	A (in.)	Wt./C lb.
U568-4EG	6	9	33
U568-5EG	9	12	42
U568-6EG	12	15	24

16 gauge material

#### C775L / M775L Clamp with Lock Nut



#### Standard Finish - Electrogalvanized (EG)

Malleable Iron (M775L)

Carbon Steel (C775L)

Cat. No.	Pipe Size (in.)	Dimensions			Wt./C lb.	Design Load, lb.
		A (in.)	B (in.)	C (in.)		
C775L-3/8EG	3/8	3/8	3/8	3/4	38	400
C775L-1/2EG	1/2	3/8	3/8	3/4	39	500
C775L-5/8EG	5/8	1/2	1/2	3/4	60	550
C775L-3/4EG	3/4	5/8	5/8	3/4	69	600
C775L-7/8EG	7/8	3/4	3/4	1	184	900
M775L-3/8EG	3/8	3/8	3/4	1-3/4	27	400
M775L-1/2EG	1/2	1/2	3/4	1-3/4	35	400
M775L-5/8EG	5/8	5/8	3/4	2	52	440
M775L-3/4EG	3/4	3/4	3/4	2	63	500

Materials	HDG(C)	EG(C)	(No suffix)	SS6(C)
	→ Hot-Dipped Galvanized	→ Electrogalvanized	→ GoldGalv®	→ Stainless Steel 316

## Beam Clamps

### Beam Clamps for Hanging Rod

500SC, 502, 503SC, 507, 508, 509, 510, 511 Beam Clamp



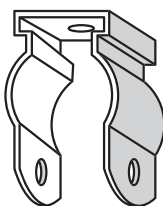
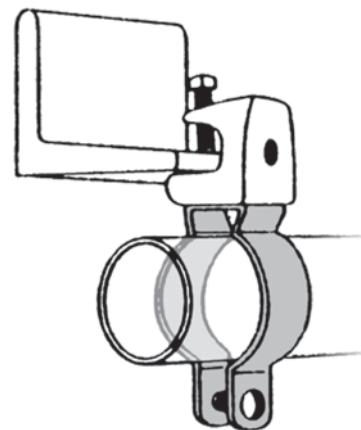
Standard Finish -  
Electrogalvanized (no suffix)

Cat. No.	Tapped Holes	Base Dim.		Jaw Opening (in.)	Wt./C lb.	Design Load/lb.
		A (in.)	B (in.)			
500SC	1/4 - 20	1	1-1/4	15/16	18	450
502	3/8 - 16	2	2	1	92	1300
503SC	1/2 - 13	2-5/8	2-1/2	1	164	1300
507	1/2 - 13	2-1/2	2-3/8	1-3/8	165	1700
508	1/2 - 13	2-1/2	2-3/8	2-1/8	184	1700
509	10 - 24	1	1-1/4	15/16	22	375
510	1/4 - 20	27/32	1-1/8	5/8	15	400
511	10 - 24	27/32	1-1/8	5/8	15	400

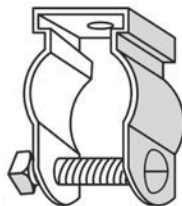
### 6H Series in combination with 500 Series Beam Clamp Conduit and Pipe Hanger

#### Features

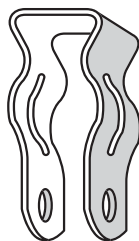
- Accommodates 1/2 in. through 4 in. EMT or rigid conduit
- Can be used for either vertical or horizontal installation
- 6H-TB Series is threaded so there are less parts to handle or drop
- Installs easily with a screwdriver



6H Series  
without bolt  
Fig. 1



6H-B Series  
with bolt and hex nut  
Fig. 2



6H-T Threaded Series  
threaded without bolt  
Fig. 3



6H-TB Threaded Series  
threaded with bolt  
Fig. 4

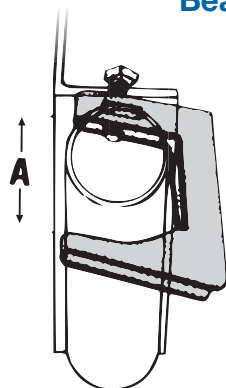
Without Bolt		With Bolt		EMT (in.)	Rigid Conduit or Pipe (in.)	Qty. per Box
Cat. No.	Fig. No.	Cat. No.	Fig. No.			
6H0	1	6H0-B	2	1/2	3/8-1/2	100
6H0-T	3	6H0-TB	4			
6H1	1	6H1-B	2	3/4	3/4	
6H1-T	3	6H1-TB	4			
6H2	1	6H2-B	2	1	1	
		6H2-TB	4			
6H2 1/2	1	6H2 1/2B	2	1-1/4	-	
		6H2 1/2-TB	4			
6H3-SC	1	6H3-B	2	1-1/2	1-1/4	
		6H3-TB	4			
6H4	1	6H4-B	2	-	1-1/2	
		6H4-TB	4			
6H5	1	6H5-B	2	2	2	
		6H5-TB	4			
6H6	1	6H6-B	2	2-1/2	2-1/2	
6H7	1	6H7-B	2	3	3	
6H8	1	6H8-B	2	3-1/2	3-1/2	
6H9	1	6H9-B	2	4	4	

Standard Finish - Electrogalvanized (no suffix). Use SS suffix for Stainless Steel.  
Load rating: 500 lb. with a safety factor of 3. (For weight per 100 see page A38.)

## Beam Clamps

### Beam Clamps for Mounting Pipe and Conduit

#### U571, U572 Conduit Clamp



For attaching 1/2 in. thru 1-1/2 in. conduit to beam, channel, angle or column. Secures conduit to the support parallel or at right angles to it.

5/16 in. set screw

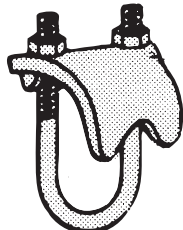
12 gauge material

Standard Finish - GoldGalv®

Wt./C 38 lb.

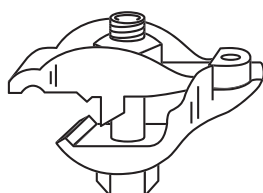
Cat. No.	Conduit Size (in.)	Max. Flange Thickness (in.)	Dim. A (in.)	Wt./C lb.
U571	1/2	1	1-3/4	36
	3/4	3/4		
	1	1/2		
U572	3/4	1-1/2	2-1/2	59
	1	1-1/4		
	1-1/4	1		
	1-1/2	5/8		

## Pipe Supports



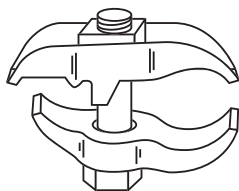
Type RC and RCS

- Malleable Iron
- For mounting pipe or conduit at right angles to the beam
- Use SS316 suffix for 316 Stainless Steel
- Use HDG suffix for Hot-Dipped Galvanized



Type EC

- Malleable Iron
- For mounting pipe or conduit vertically across the beam
- Use HDG suffix for Hot-Dipped Galvanized
- CSA Certified



Type PC

- Malleable Iron
- For mounting pipe or conduit parallel to the beam
- Use HDG suffix for Hot-Dipped Galvanized

### Pipe Supports

Three types of pipe clamps are available to provide right angle, vertical and parallel attachment to a beam. Types RC, EC and PC are malleable iron clamps with an edge that grips the structural member for maximum holding power when tightened.

Type RCS clamps are all steel, providing two bearing surfaces for strong attachment for mounting pipe or conduit at right angles to the beam.

All parts are electrogalvanized (no suffix) including the threads. The clamps are designed for clamping to a wide variety of beam thicknesses and tapers. Can be installed using only a wrench.

Cat. No. and Size	O.D. of Conduit or Pipe (in.)	Nom. Conduit or Pipe Size (in.)	Std. Ctn.	Wt./C lb.
RCS-3/8	0.675	3/8	50	31
RCS-1/2	0.840	1/2		34
RCS-3/4	1.050	3/4		39
RCS-1	1.315	1		42
RCS-1-1/4	1.660	1-1/4		43
RCS-1-1/2	1.900	1-1/2		60
RCS-2	2.375	2		72
RC-1/2	0.840	1/2		36
RC-3/4	1.050	3/4		43
RC-1	1.315	1		49
RC-1-1/4	1.660	1-1/4	51	
RC-1-1/2	1.900	1-1/2	54	
RC-2-SC	2.375	2	25	76
RC-2-1/2	2.875	2-1/2		107
RC-3	3.500	3		116
RC-3-1/2	4.000	3-1/2		134
RC-4-SC	4.500	4	20	158
EC-1/2	0.840	1/2	50	69
EC-3/4	1.050	3/4		78
EC-1	1.315	1	25	83
EC-1-1/4	1.660	1-1/4		108
EC-1-1/2	1.900	1-1/2		112
EC-2	2.375	2	10	140
EC-2-1/2	2.875	2-1/2		183
EC-3	3.500	3	50	203
PC-3/8	0.675	3/8		32
PC-1/2	0.840	1/2		53
PC-3/4	1.050	3/4		53
PC-1	1.315	1	25	61
PC-1-1/4	1.660	1-1/4		79
PC-1-1/2	1.900	1-1/2		56
PC-2	2.375	2	10	116
PC-2-1/2	2.875	2-1/2		148
PC-3	3.500	3	10	175
PC-3-1/2	4.000	3-1/2		199
PC-4	4.500	4		224

## Beam Clamps

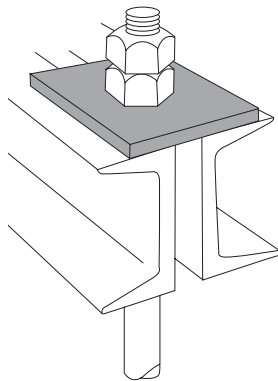
### Beam Fittings

#### C781 Square Washer

\*Finishes

- B
- EDG
- EG
- SS6

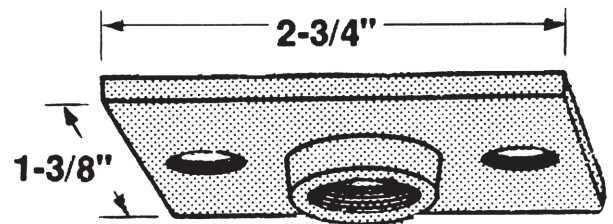
Used for beam applications.  
For channel applications use AB241.



**STD. PACK 50**

Cat. No.	Rod Size (in.)	Hole Size (in.)	Overall Dimensions	Wt./C lb.
C781-3/8*	3/8	7/16	3 x 3 x 3/16	27
C781-1/2*	1/2	9/16	3 x 3 x 3/16	27
C781-5/8*	5/8	11/16	3 x 3 x 1/4	47
C781-3/4*	3/4	13/16	3 x 3 x 1/4	42
C781-7/8*	7/8	15/16	4 x 4 x 3/8	85
C781-1*	1	1-1/8	4 x 4 x 3/8	160

#### M742R Ceiling Flange

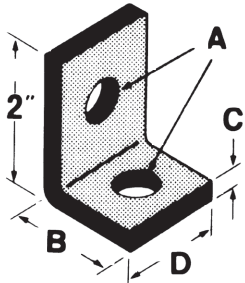


\*Finishes

- B
- EG

Cat. No.	Rod Size (in.)	Wt./C lb.
M742R-3/8*	3/8	16
M742R-1/2*	1/2	16

#### 540 Side Beam Hanger Clip



\*Finishes

- B
- EG
- GoldGalv®

Cat. No.	A (in.)	B (in.)	C (in.)	D (in.)	Wt./C lb.
540-3/8*	7/16	1-7/8	1/4	7/8	38
540-1/2*	9/16	1-7/8	1/4	1-5/8	36
540-5/8*	11/16	2-1/2	3/8	2	84
540-3/4*	13/16	2-1/2	3/8	2	113

#### 542 Side Beam Hanger Clip

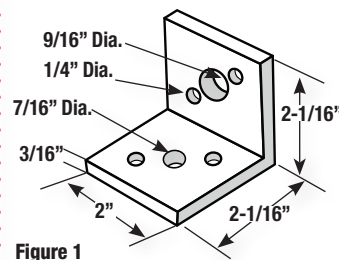


Figure 1

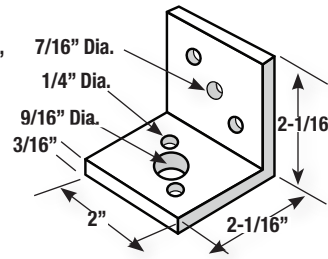


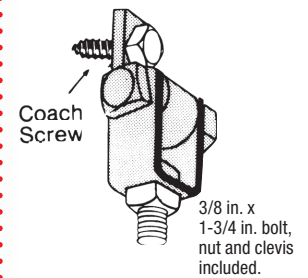
Figure 2

Cat. No.	Figure	Rod Size (in.)	Design Load/lb.	Wt./C lb.
542	1	3/8	610	35
	2	1/2	1000	38

Standard Finish - GoldGalv®

For 3/8 in. and 1/2 in. rods.

#### S541 Swing Connector



Cat. No.	Rod Size (in.)	Wt./C lb.
S541-3/8	3/8	31

Standard Finish - GoldGalv®

For use with wood beam.

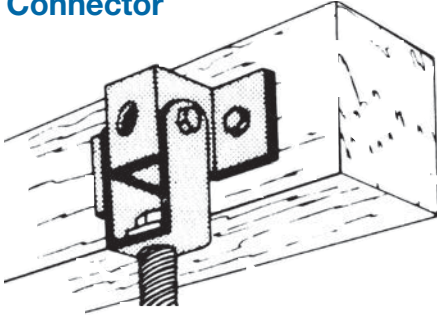
Materials	Code	Description
HDG(C)	→	Hot-Dipped Galvanized
EG(C)	→	Electrogalvanized
(No suffix)	→	GoldGalv®
SS6(C)	→	Stainless Steel 316
B	→	Bare



## Beam Clamps

### Beam Fittings

#### U577 Clevis and Swing Connector

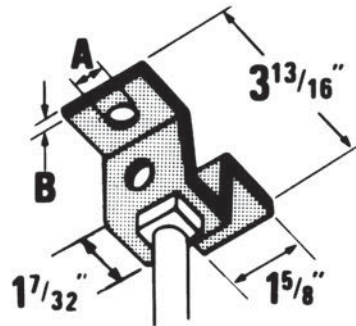


Cat. No.	Rod Size (in.)	Wt./C lb.
U577-1/2	1/2	69

#### Standard Finish - GoldGalv®

For use with wood beam.

#### U576 Hanger Clevis



Cat. No.	Hole A (in.)	Material Thickness B (in.)	Wt./C lb.
U576-3/8	7/16	3/16	27
U576-1/2	9/16		

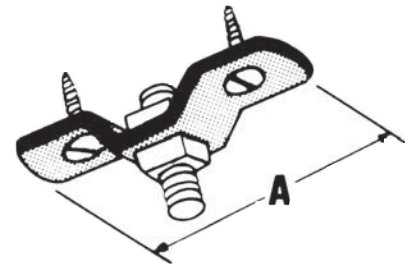
#### Standard Finish - GoldGalv®

For rods up to 1/2 in.

Mounting holes 7/16 in. diameter.

For use with wood beam.

#### U579 Ceiling Flange



Cat. No.	A (in.)	Wt./C lb.
U579-3/8	3-1/2	30
U579-1/2	4-1/4	50

#### Standard Finish - GoldGalv®

Malleable Iron

Nuts and wood screws not included.

Mounting holes 13/32 in.

Materials	Code	Description
	HDG(C)	Hot-Dipped Galvanized
	EG(C)	Electrogalvanized
	(No suffix)	GoldGalv®
	SS6(C)	Stainless Steel 316
	B	Bare