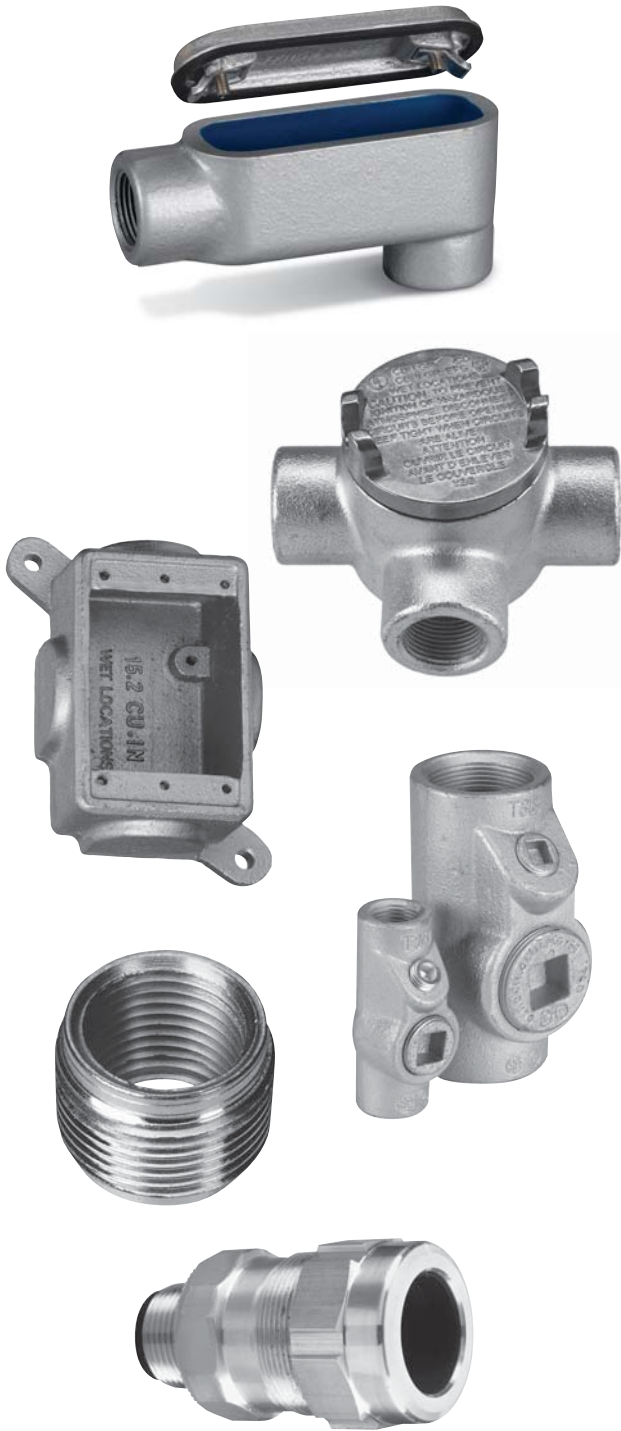




T&B Conduit Fittings for Ordinary and Hazardous Locations



Thomas & Betts offers a broad range of conduit bodies, conduit boxes, conduit fittings, unions, sealing fittings, drains and cable fittings for both ordinary and hazardous locations. Complete information on applications, features, materials, finishes, size range and certifications is provided in the following pages.

Conduit Bodies (for ordinary locations)

For raceway systems to provide pull outlets, 90° bends, splices, taps, mounting outlets, etc.

FORM 7	For neat, compact installation of rigid threaded conduit.
FORM 8	For heavier conductors using rigid threaded conduit.
Series 35	For economy installations of rigid threaded conduit.
Red•Dot® Aluminum Die-Cast	For rigid threaded conduit installation — copper-free aluminum.
Red•Dot® Thinwall (EMT)	For set-screw installation using thinwall conduit (EMT) — copper-free aluminum.
Mogul Conduit Fittings	For larger conduits, spacious, accessible wiring chambers.

Cast Device Boxes (for ordinary locations)

For raceway systems to accommodate wiring devices, serve as pull boxes, and provide entrances for taps and splices.

FS/FD Single and Double Gang Cast Device Boxes

Cast Conduit Outlet Boxes (for hazardous locations)

Round cast outlet boxes used with rigid conduit to serve as pull and splice boxes, easy access to wiring, act as a housing for instruments, apparatus, etc.

GUA Conduit Outlet Bodies

Reducers, Plugs, Unions (for ordinary and hazardous locations)

Includes reducers for connecting conduit of dissimilar dimensions, plugs for unused conduit openings and hubs, and unions for threaded conduit systems.

RE, PLG REC Reducers, Plugs and Adapters, UNY/UNF Unions

Sealing Fittings and Drains (for ordinary and hazardous locations)

Cast fittings used with rigid conduit to seal sections from passage of vapors, flame or gases or explosions. Drains provide ventilation as a breather and as a drain in moist locations.

EYS/EYD Sealing Fittings & ECD Drains

Cable Fittings (for ordinary and hazardous locations)

For armored, metal clad, jacketed or unjacketed and unarmored cables through a bulkhead or enclosure in ordinary or hazardous areas.

Conduit Outlet Bodies

Application

Conduit Bodies are installed in conduit systems to:

- Connect conduit sections
- Act as pull outlets when conductors are being installed
- Provide easy access for splices in branch conductors
- Make 90° bends in conduit runs
- Act as mounting outlets for wiring devices and lighting fixtures
- Provide access to conductors for maintenance and future system changes

Features

- Standard features include tapered (NPT) threads and integral bushings to protect wire insulation
- T&B Form 7 bodies and covers are interchangeable with other manufacturer's Form 7 bodies and covers
- T&B Form 8 bodies and covers are interchangeable with other manufacturer's Form 8 bodies and covers
- T&B Form 7 and Form 8 bodies feature BlueKote internal coating for easier wire pulling
- T&B Series 35 bodies and covers are interchangeable with other manufacturers' 35/5 Series iron and steel bodies and covers

Materials

Form 7, Form 8 and Series 35 Conduit Bodies Sand-cast class 30 gray iron alloy
Red•Dot® Conduit Bodies Die-cast aluminum, copper-free
Covers Sand-cast gray iron alloy and stamped sheet steel with steel-stainless steel screws
Gaskets. Neoprene

Finish

Form 7, Form 8 and Series 35 Conduit Bodies Zinc-plating with aluminum acrylic coating
Form 7 and Form 8 Bodies Internal PTFE-based BlueKote coating
Red•Dot® Conduit Bodies Aluminum laquer
Covers Gray iron zinc-plating with aluminum acrylic coating, and stamped steel zinc-plating with clear chromate coating; Form 7 and Form 8 covers include neoprene gasket

Listings/Compliances

UL Standard: 514A, 514B
Fed. Spec: W-C-586D
CSA Standard: C22.2 No. 18



Conduit Bodies Quick Reference






SHAPE	TYPE	HUB SIZE (IN.)										SEE PAGE
		½	¾	1	1¼	1½	2	2½	3	3½	4	
	BlueKote® Form 7	LB17	LB27	LB37	LB47	LB57	LB67	LB77	LB87	LB97	LB107	A-40
	BlueKote® Form 8**	LB18	LB28	LB38	LB448	LB58	LB68	LB78	LB888	LB98	LB108	
	Series 35	LB50M	LB75M-TB	LB100M	LB125M	LB150M	LB200M	LB250M	LB300M	LB350M	LB400M	
	Threaded Aluminum*	ALB1	ALB2	ALB3	ALB4	ALB5	ALB6	ALB7	ALB8	ALB9	ALB10	
	EMT Aluminum*	BLB1	BLB2	BLB3	BLB4	BLB5	BLB6	BLB7	BLB8	BLB9	BLB10	
	BlueKote® Form 7	LU17	LU27	LU37	LU47	LU57	LU67	—	—	—	—	A-41
	BlueKote® Form 7	T17	T27	T37	T47	T57	T67	T77	T87	T97	T107	A-41
	BlueKote® Form 8**	T18	T28	T38-TB	T448	T58	T68	T78	T88-TB	—	—	
	Series 35	T50M	T75M	T100M	T125M	T150M	T200M	T250M	T300M	T350M	T400M	
	Threaded Aluminum*	AT1	AT2	AT3	AT4	AT5	AT6	AT7	AT8	AT9	AT10	
	EMT Aluminum*	BT1	BT2	BT3	BT4	BT5	BT6	—	—	—	—	
	BlueKote® Form 7	C17	C27	C37	C47	C57	C67	C77-TB	C87	—	—	A-42
	BlueKote® Form 8**	C18	C28	C38	C448	C58-TB	C68	C78	C88	—	—	
	Series 35	C50M	C75M-TB	C100M	C125M	C150M	C200M	C250M-TB	C300M	C350M	C400M	
	Threaded Aluminum*	AC1	AC2	AC3	AC4	AC5	AC6	AC7	AC8	AC9	AC10	
	EMT Aluminum*	BC1	BC2	BC3	BC4	BC5	BC6	—	—	—	—	
	BlueKote® Form 7	LL17	LL27	LL37	LL47	LL57	LL67	LL77	LL87	LL97	LL107	A-43
	BlueKote® Form 8**	LL18	LL28	LL38	LL448	LL58	LL68	LL78	LL888	—	—	
	Series 35	LL50M	LL75M	LL100M	LL125M	LL150M	LL200M	LL250M	LL300M	LL350M	LL400M	
	Threaded Aluminum*	ALL1	ALL2	ALL3	ALL4	ALL5	ALL6	ALL7	ALL8	ALL9	ALL10	
	EMT Aluminum*	BLL1	BLL2	BLL3	BLL4	—	—	—	—	—	—	
	BlueKote® Form 7	LR17	LR27	LR37	LR47	LR57	LR67	LR77	LR87	LR97	LR107	A-44
	BlueKote® Form 8**	LR18	LR28	LR38	LR448	LR58	LR68	LR78	LR888	—	—	
	Series 35	LR50M	LR75M	LR100M	LR125M	LR150M	LR200M	LR250M	LR300M	LR350M-TB	LR400M	
	Threaded Aluminum*	ALR1	ALR2	ALR3	ALR4	ALR5	ALR6	ALR7	ALR8	ALR9	ALR10	
	EMT Aluminum*	BLR1	BLR2	BLR3	BLR4	—	—	—	—	—	—	
	BlueKote® Form 7	L17-TB	L27-TB	L37-TB	L47-TB	L57-TB	L67-TB	—	—	—	—	A-45
	Threaded Aluminum*	ALRL1	ALRL2	ALRL3	ALRL4	ALRL5	ALRL6	—	—	—	—	
	EMT Aluminum*	BLRL1	BLRL2	BLRL3	BLRL4	BLRL5	BLRL6	—	—	—	—	
	BlueKote® Form 7	TB17-TB	TB27	TB37	TB47	TB57	TB67	—	—	—	—	A-45
	BlueKote® Form 8**	TB18	TB28	TB38	TB448	TB58	TB68	—	—	—	—	
	Series 35	TB50M	TB75M	TB100M	TB125M	TB150M	TB200M	—	—	—	—	
	BlueKote® Form 7	X17	X27	X37	X47	X57	X67	—	—	—	—	A-46
	BlueKote® Form 8**	X18	X28	X38	X448	X58	X68	—	—	—	—	
	Series 35	X50M	X75M	X100M	X125M	X150M	X200M	—	—	—	—	
	BlueKote® Form 7	E17	E27	E27	—	—	—	—	—	—	—	A-46
	Threaded Aluminum	AE1	AE2	AE3	—	—	—	—	—	—	—	
	BlueKote® Form 7	TA17	TA27	TA37	TA47	TA57	TA67	—	—	—	—	

*Aluminum conduit bodies (A and B series) furnished with one stamped steel cover ** ½" through 1¼" have (2) mounting holes; 1½" through 4" have (4) mounting holes

Replacement Covers and Gaskets

T&B Fittings

SHAPE	HUB SIZE (IN.)										
	½	¾	1	1¼	1½	2	2½	3	3½	4	
	Form 7*	170S	270S	370S	470S	570S	670S	870S	870S	970S	970S
	Form 8*	180	280	380	480	580	680STB	880	880	980	980
	Red•Dot®	SCV1	SCV2	SCV3	SCV4	SCV4	SCV5	CV6	CV6	CV7	CV7
	Series 35	K50S	K75S	K100S	K125S	K125S	K200S	K250S	K250S	K350S	K350S
Stamped Steel											
<i>* Form 7 and Form 8 covers include gasket.</i>											
	Form 7*	170F	270F	370F	470F	570F	670F	870F	870F	970F	970F
	Form 8*	180F	280F	380F	480F	580F	680F	880F	880F	980F	980F
	Series 35	K50M	K75M	K100M	K125M	K125M	K200M	K250M	K250M	K350M	K350M
	Gray Iron										
<i>* Form 7 and Form 8 covers include gasket.</i>											
	Form 7*	GASK 571	GASK 572	GASK 573	GASK 574	GASK 575	GASK 576	GASK 578	GASK 578	GASK 579	GASK 579
	Form 8*	GASK 581N	GASK 582N	GASK 583N	GASK 584N	GASK 585N	GASK 586N	GASK 588N	GASK 588N	GASK 589N	GASK 589N
	Red•Dot®	GKN1	GKN2	GKN3	GKN4	GKN4	GKN5	GKN6	GKN6	GKN7	GKN7
	Series 35	GK50N	GK75N	GK100N	GK125-150N	GK125-150N	GK200N	GK250-300N	GK250-300N	GK350-400N	GK350-400N
Gasket											
<i>* For ordering purposes, please use GASK in the catalog number (Example: GASK 571).</i>											

NEW!

Form 7 Body, Gasket and Cover — One Number!

Pre-Assembled Form 7 BlueKote® Conduit Bodies, Gaskets and Covers



Now you can order a conduit body, gasket and cover, pre-assembled, using one catalog number. T&B's pre-assembled cast conduit bodies help reduce transactions, eliminate the need for additional stocking bins and provide an easy inventory reduction. You'll also have less hassle with managing small parts in the truck or crib. Best of all, you can be absolutely confident that the right parts are in your hands when you need them.

T&B® Conduit Bodies and Covers Feature:

- BlueKote internal finish for faster, easier wire pulling
- Epoxy external finish for superior corrosion resistance
- Tapered NPT threads and integral bushings to protect wire insulation
- Bodies are designed with a flat back for more cubic inch capacity. The flat back also keeps the body more stable during installation, requiring fewer conduit straps
- T&B Form 7 bodies and covers are interchangeable with Crouse-Hinds and Appleton's Form 7 bodies and covers

Specifications

- Bodies: Class 30 gray iron alloy
- Covers: Stamped steel with stainless steel screws
- Gaskets: Neoprene
- Finish: Conduit Bodies: Zinc-plating with acrylic epoxy coating and internal PTFE-based BlueKote coating
- Covers: Stamped steel zinc-plating with a clear chromate coating
- Compliances: UL Standard: 514A, 514B Fed. Spec: W-C-586D
- CSA Standard: C22.2 No. 18

Crouse-Hinds is a trademark of Cooper Industries, Inc. Appleton is a trademark of the EGS Electrical Group, a joint venture of Emerson and SPX Corp.

NOTE: BlueKote is registered for conduit bodies but is not registered for a finish or a coating.

T&B® Pre-Assembled Bodies, Gaskets and Covers



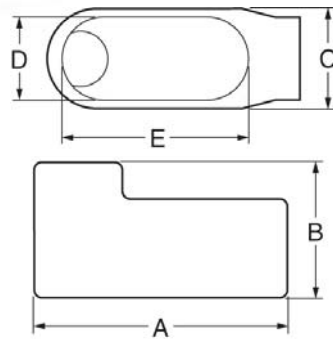
CAT. NO.	TRADE SIZE	PRE-ASSEMBLED PRODUCTS
C17CG-TB	½"	C17 Body, Cover & Gasket
C27CG-TB	¾"	C27 Body, Cover & Gasket
C37CG-TB	1"	C37 Body, Cover & Gasket
C47CG-TB	1¼"	C47 Body, Cover & Gasket
C57CG-TB	1½"	C57 Body, Cover & Gasket
C67CG-TB	2"	C67 Body, Cover & Gasket
LB17CG-TB	½"	LB17 Body, Cover & Gasket
LB27CG-TB	¾"	LB27 Body, Cover & Gasket
LB37CG-TB	1"	LB37 Body, Cover & Gasket
LB47CG-TB	1¼"	LB47 Body, Cover & Gasket
LB57CG-TB	1½"	LB57 Body, Cover & Gasket
LB67CG-TB	2"	LB67 Body, Cover & Gasket
LL17CG-TB	½"	LL17 Body, Cover & Gasket
LL27CG-TB	¾"	LL27 Body, Cover & Gasket
LL37CG-TB	1"	LL37 Body, Cover & Gasket
LL47CG-TB	1¼"	LL47 Body, Cover & Gasket
LL57CG-TB	1½"	LL57 Body, Cover & Gasket
LL67CG-TB	2"	LL67 Body, Cover & Gasket
LR17CG-TB	½"	LR17 Body, Cover & Gasket
LR27CG-TB	¾"	LR27 Body, Cover & Gasket
LR37CG-TB	1"	LR37 Body, Cover & Gasket
LR47CG-TB	1¼"	LR47 Body, Cover & Gasket
LR57CG-TB	1½"	LR57 Body, Cover & Gasket
LR67CG-TB	2"	LR67 Body, Cover & Gasket
T17CG-TB	½"	T17 Body, Cover & Gasket
T27CG-TB	¾"	T27 Body, Cover & Gasket
T37CG-TB	1"	T37 Body, Cover & Gasket
T47CG-TB	1¼"	T47 Body, Cover & Gasket
T57CG-TB	1½"	T57 Body, Cover & Gasket
T67CG-TB	2"	T67 Body, Cover & Gasket
TB17CG-TB	½"	TB17 Body, Cover & Gasket
TB27CG-TB	¾"	TB27 Body, Cover & Gasket
TB37CG-TB	1"	TB37 Body, Cover & Gasket
TB47CG-TB	1¼"	TB47 Body, Cover & Gasket
TB57CG-TB	1½"	TB57 Body, Cover & Gasket
TB67CG-TB	2"	TB67 Body, Cover & Gasket
X17CG-TB	½"	X17 Body, Cover & Gasket
X27CG-TB	¾"	X27 Body, Cover & Gasket
X37CG-TB	1"	X37 Body, Cover & Gasket
X47CG-TB	1¼"	X47 Body, Cover & Gasket
X57CG-TB	1½"	X57 Body, Cover & Gasket
X67CG-TB	2"	X67 Body, Cover & Gasket

For aluminum conduit bodies pre-assembled with covers and gaskets, request Red•Dot® D-PAK® Series Conduit Bodies for rigid and IMC conduit.

T&B® Fittings

Conduit Outlet Bodies

T&B Fittings



LB Form 7 and Form 8

BlueKote internal finish reduces the amount of force necessary to pull wires through T&B Form 7 and Form 8 conduit bodies.



LB Form 7 BlueKote® Conduit Bodies

CAT. NO.	HUB SIZE	DIMENSIONS (IN.)					CU. IN.
		A	B	C	D	E	
LB17	½"	4.60	2.20	1.35	.95	3.20	4.0
LB27	¾"	5.25	2.40	1.65	1.15	3.80	6.6
LB37	1"	6.00	2.65	1.80	1.35	4.55	10.6
LB47	1¼"	6.45	3.20	2.20	1.80	5.00	18.8
LB57	1½"	7.25	3.90	2.45	2.05	5.45	26.4
LB67	2"	8.30	4.45	3.10	2.45	6.40	51.0
LB77	2½"	10.55	5.20	4.25	3.60	8.40	102.0
LB87	3"	10.55	5.95	4.25	3.60	8.40	132.0
LB97	3½"	12.85	6.70	5.25	4.55	10.25	210.0
LB107	4"	12.85	7.20	5.25	4.55	10.25	243.0



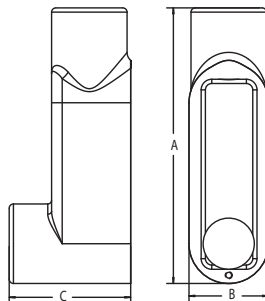
LB Form 8 BlueKote® Conduit Bodies

CAT. NO.	HUB SIZE	DIMENSIONS (IN.)					CU. IN.
		A	B	C	D	E	
LB18	½"	4.94	2.22	1.38	1.00	3.31	4.9
LB28	¾"	5.56	2.44	1.56	1.19	3.31	8.0
LB38	1"	6.50	2.81	1.75	1.38	4.56	13.0
LB448	1¼"	7.53	3.34	2.19	1.75	5.31	23.5
LB58	1½"	9.13	4.03	2.75	2.13	6.50	45.0
LB68	2"	11.00	4.41	3.75	3.00	8.56	88.0
LB78	2½"	13.94	6.13	5.00	4.25	10.88	110.0
LB888	3"	13.94	6.50	5.00	4.25	10.88	110.0
LB98	3½"	16.88	7.56	6.25	5.44	13.44	250.0
LB108	4"	16.88	7.81	6.25	5.44	13.44	250.0

LB Series 35 Conduit Bodies



CAT. NO.	HUB SIZE	DIMENSIONS (IN.)			CU. IN.
		A	B	C	
LB50M	½"	1.34	4.68	2.05	4.5
LB75M-TB	¾"	1.50	5.37	2.25	7.5
LB100M	1"	1.80	6.20	2.65	12.5
LB125M	1¼"	2.60	8.12	2.75	32
LB150M	1½"	2.60	8.12	2.83	35.3
LB200M	2"	3.12	10.50	4.42	73
LB250M	2½"	4.31	13.60	5.40	142
LB300M	3"	4.31	13.87	5.90	173
LB350M	3½"	5.62	16.25	6.90	292
LB400M	4"	5.62	16.60	7.21	324

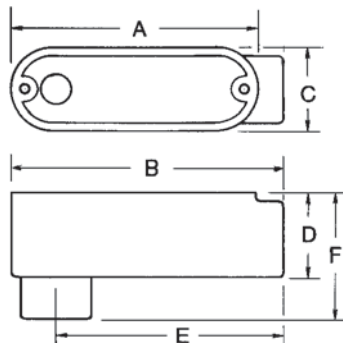


LB Series 35

LB Threaded Aluminum Conduit Bodies



CAT. NO.	HUB SIZE	DIMENSIONS (IN.)						CU. IN.
		A	B	C	D	E	F	
ALB1	½"	3.88	4.28	1.31	1.44	3.50	2.06	4.3
ALB2	¾"	4.63	5.13	1.53	1.63	4.25	2.44	7.3
ALB3	1"	5.38	5¾"	1.75	1.88	4.94	2.75	11.8
ALB4	1¼"	7.25	7.88	2.50	2.50	6.50	3.56	32.0
ALB5	1½"	7.25	7.88	2.50	2.75	6.31	3.81	32.0
ALB6	2"	9.50	9.81	3.13	3.44	8.00	4.50	69.5
ALB7	2½"	12.25	13.00	4.50	3.88	10.84	5.25	190.0
ALB8	3"	12.25	13.00	4.50	4.50	10.50	5.88	190.0
ALB9	3½"	15.00	16.31	5.50	5.56	13.50	6.94	366.0
ALB10	4"	15.00	16.31	5.50	5.56	13.50	6.94	366.0



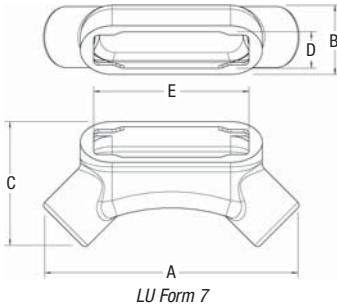
LB Threaded Aluminum and EMT Aluminum

LB EMT Aluminum Conduit Bodies



CAT. NO.	HUB SIZE	DIMENSIONS (IN.)						CU. IN.
		A	B	C	D	E	F	
BLB1	½"	3.88	4.28	1.31	1.44	3.50	2.06	4.3
BLB2	¾"	4.63	5.13	1.53	1.63	4.25	2.44	7.3
BLB3	1"	5.38	5.94	1.75	1.88	4.94	2.75	11.8
BLB4	1¼"	7.25	7.88	2.50	2.50	6.50	3.56	32.0
BLB5	1½"	7.25	7.88	2.50	2.75	6.31	3.81	32.0
BLB6	2"	9.50	9.81	3.13	3.44	8.00	4.50	69.5
BLB7	2½"	12.25	13.00	4.50	3.88	10.84	5.25	190.0
BLB8	3"	12.25	13.00	4.50	4.50	10.50	5.88	190.0
BLB9	3½"	15.00	16.31	5.50	5.56	13.50	6.94	366.0
BLB10	4"	15.00	16.31	5.50	5.56	13.50	6.94	366.0

Conduit Outlet Bodies

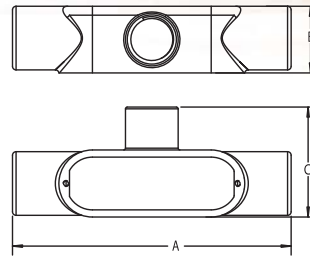


LU Form 7



LU Form 7 BlueKote® Conduit Bodies

CAT. NO.	HUB SIZE	DIMENSIONS (IN.)					CU. IN.
		A	B	C	D	E	
LU17	½"	5.54	1.45	2.72	0.95	3.20	4.8
T27	¾"	6.22	1.70	3.07	1.15	3.80	7.6
LU37	1"	7.34	1.97	3.52	1.35	4.55	13.4
LU47	1¼"	8.40	2.47	4.21	1.80	5.00	23.0
LU57	1½"	8.95	2.72	4.44	2.05	5.45	28.3
LU67	2"	10.61	3.43	5.43	2.45	6.40	56.0

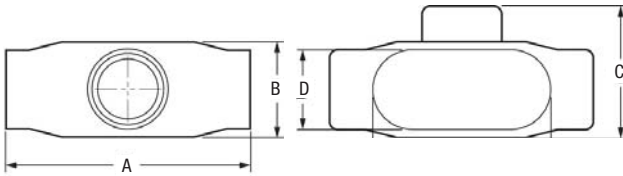


T Series 35



T Series 35 Conduit Bodies

CAT. NO.	HUB SIZE	DIMENSIONS (IN.)			CU. IN.
		A	B	C	
T50M	½"	2.05	5.38	1.34	6.0
T75M	¾"	2.25	6.00	1.50	9.5
T100M	1"	2.65	7.05	1.80	15
T125M	1¼"	2.75	9.00	2.60	33
T150M	1½"	3.50	9.00	2.60	36
T200M	2"	4.12	11.50	3.12	76
T250M	2½"	5.71	15.00	4.31	142
T300M	3"	5.87	15.12	4.31	173
T350M	3½"	6.81	18.13	5.19	292
T400M	4"	7.15	18.13	5.56	324



T Form 7 and Form 8

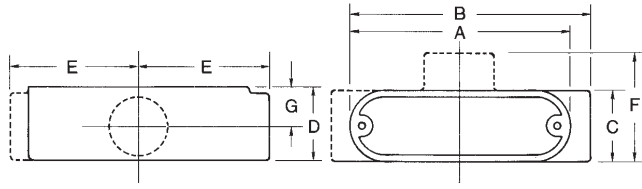


T Form 7 BlueKote® Conduit Bodies

CAT. NO.	HUB SIZE	DIMENSIONS (IN.)					CU. IN.
		A	B	C	D	E	
T17	½"	5.60	1.80	2.35	.95	3.20	6.0
T27	¾"	6.20	2.00	2.60	1.15	3.80	9.1
T37	1"	7.35	2.30	3.10	1.35	4.55	16.9
T47	1¼"	7.30	2.30	3.05	1.80	5.00	19.3
T57	1½"	8.60	2.60	3.80	2.05	5.45	27.5
T67	2"	9.50	3.20	4.25	2.45	6.40	50.0
T77	2½"	12.10	3.65	5.80	3.60	8.40	102.0
T87	3"	12.10	4.40	5.80	3.60	8.40	132.0
T97	3½"	14.65	4.90	7.05	4.55	10.25	210.0
T107	4"	14.65	5.40	7.05	4.55	10.25	243.0

T Form 8 BlueKote® Conduit Bodies

CAT. NO.	HUB SIZE	DIMENSIONS (IN.)					CU. IN.
		A	B	C	D	E	
T18	½"	5.69	7.75	2.16	1.00	3.31	6.0
T28	¾"	6.28	2.00	2.31	1.19	3.94	9.0
T38-TB	1"	7.31	2.25	2.63	1.38	4.56	15.0
T448	1¼"	8.50	2.63	3.16	1.75	5.31	24.0
T58	1½"	10.38	2.78	4.00	2.13	6.50	46.5
T68	2"	12.25	3.56	5.00	3.00	8.56	88.0
T78	2½"	15.63	4.44	6.69	4.25	10.88	110.0
T88-TB	3"	15.63	4.81	6.69	4.25	10.88	110.0



T Threaded Aluminum and EMT Aluminum



T Threaded Aluminum Conduit Bodies

CAT. NO.	HUB SIZE	DIMENSIONS (IN.)							CU. IN.
		A	B	C	D	E	F	G	
AT1	½"	3.88	4.38	1.33	1.38	2.41	2.06	.81	4.3
AT2	¾"	3.63	5.13	1.53	1.63	2.78	2.59	.94	7.3
AT3	1"	5.38	5.94	1.75	1.88	3.25	2.63	1.00	11.8
AT4	1¼"	7.25	7.88	2.50	2.50	4.19	3.53	1.38	32.0
AT5	1½"	7.25	7.88	2.50	2.75	4.19	3.53	1.50	32.0
AT6	2"	9.50	10.19	3.13	3.56	5.41	4.00	1.97	69.5
AT7	2½"	12.25	13.00	4.50	4.50	6.88	5.78	2.44	190.0
AT8	3"	12.25	13.00	4.50	4.50	6.88	5.78	2.44	190.0
AT9	3½"	15.00	16.31	5.50	5.56	8.81	6.81	3.00	366.0
AT10	4"	15.00	16.31	5.50	5.56	8.81	6.81	3.00	366.0

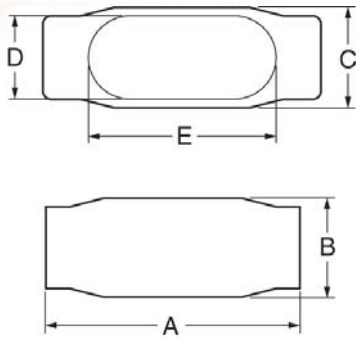
T EMT Aluminum Conduit Bodies

CAT. NO.	HUB SIZE	DIMENSIONS (IN.)							CU. IN.
		A	B	C	D	E	F	G	
BT1	½"	3.88	4.38	1.33	1.38	2.41	2.06	.81	4.3
BT2	¾"	4.63	5.13	1.53	1.63	2.78	2.59	.94	7.3
BT3	1"	5.38	5.94	1.75	1.88	3.25	2.63	1.00	11.8
BT4	1¼"	7.25	7.88	2.50	2.50	4.19	3.53	1.38	32.0
BT5	1½"	7.25	7.88	2.50	2.75	4.19	3.53	1.50	32.0
BT6	2"	9.50	10.19	3.13	3.56	5.41	4.00	1.97	69.5

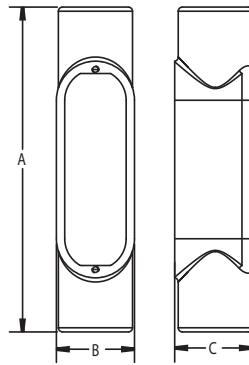
T&B® Fittings

Conduit Outlet Bodies

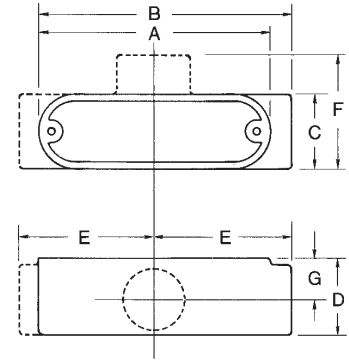
T&B Fittings



C Form 7 and Form 8



C Series 35



C Threaded Aluminum and EMT Aluminum

C Form 7 BlueKote® Conduit Bodies



CAT. NO.	HUB SIZE	DIMENSIONS (IN.)					CU. IN.
		A	B	C	D	E	
C17	½"	5.45	1.40	1.45	.95	3.20	4.0
C27	¾"	6.05	1.60	1.65	1.15	3.80	6.6
C37	1"	6.75	1.90	1.80	1.35	4.55	10.6
C47	1½"	7.30	2.30	2.20	1.80	5.00	18.8
C57	1½"	8.60	2.60	2.45	2.05	5.45	26.4
C67	2"	9.50	3.20	3.05	2.45	6.40	51.0
C77-TB	2½"	12.10	3.65	4.25	3.60	8.40	102.0
C87	3"	12.10	4.40	4.25	3.60	8.40	132.0

C Series 35 Conduit Bodies



CAT. NO.	HUB SIZE	DIMENSIONS (IN.)			CU. IN.
		A	B	C	
C50M	½"	1.34	5.38	1.37	4.5
C75M-TB	¾"	1.50	6.00	1.70	7.5
C100M	1"	1.80	7.05	1.90	12.5
C125M	1½"	2.60	9.00	2.75	35
C150M	1½"	2.60	9.00	2.83	35.3
C200M	2"	3.12	11.50	3.31	75
C250M-TB	2½"	4.31	15.00	3.90	153
C300M	3"	4.31	15.12	4.75	181
C350M	3½"	4.88	18.13	5.19	290
C400M	4"	4.88	18.13	5.56	320

C Form 8 BlueKote® Conduit Bodies



CAT. NO.	HUB SIZE	DIMENSIONS (IN.)					CU. IN.
		A	B	C	D	E	
C18	½"	5.53	1.44	1.38	1.00	3.31	4.9
C28	¾"	6.28	1.53	1.19	1.19	3.94	8.0
C38	1"	7.31	1.94	1.75	1.38	4.56	13.0
C448	1½"	8.50	2.38	2.19	1.75	5.31	23.5
C58-TB	1½"	10.38	2.78	2.75	2.13	6.50	45.0
C68	2"	12.25	3.56	3.75	3.00	8.56	88.0
C78	2½"	15.63	4.44	5.00	4.25	10.88	110.0
C88	3"	15.63	4.81	5.00	4.25	10.88	110.0

C Threaded Aluminum Conduit Bodies

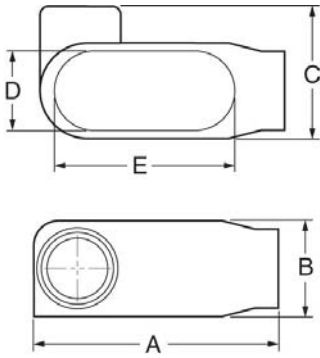


CAT. NO.	HUB SIZE	DIMENSIONS (IN.)							CU. IN.
		A	B	C	D	E	F	G	
AC1	½"	3.88	4.38	1.33	1.38	2.41	2.06	.81	4.3
AC2	¾"	4.63	5.13	1.53	1.63	2.78	2.59	.94	7.3
AC3	1"	5.38	5.94	1.75	1.88	3.25	5.63	1.00	11.8
AC4	1½"	7.25	7.88	2.50	2.50	4.19	3.53	1.38	32.0
AC5	1½"	7.25	7.88	2.50	2.75	4.19	3.53	1.50	32.0
AC6	2"	9.50	10.19	3.13	3.56	5.41	4.00	1.97	69.5
AC7	2½"	12.25	13.00	4.50	4.50	6.88	5.78	2.44	190.0
AC8	3"	12.25	13.00	4.50	4.50	6.88	5.78	2.44	190.0
AC9	3½"	15.00	16.31	5.50	5.56	8.81	6.81	3.00	366.0
AC10	4"	15.00	16.31	5.50	5.56	8.81	6.81	3.00	366.0

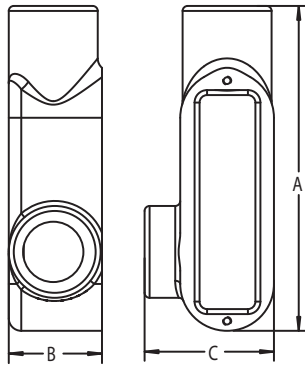
C EMT Aluminum Conduit Bodies



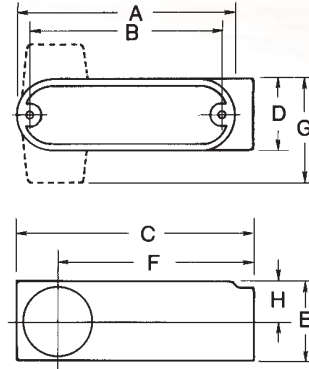
CAT. NO.	HUB SIZE	DIMENSIONS (IN.)							CU. IN.
		A	B	C	D	E	F	G	
BC1	½"	3.88	4.38	1.33	1.38	2.41	2.06	.81	4.3
BC2	¾"	4.63	5.13	1.53	1.63	2.78	2.59	.94	7.3
BC3	1"	5.38	5.94	1.75	1.88	3.25	5.63	1.00	11.8
BC4	1½"	7.25	7.88	2.50	2.50	4.19	3.53	1.38	32.0
BC5	1½"	7.25	7.88	2.50	2.75	4.19	3.53	1.50	32.0
BC6	2"	9.50	10.19	3.13	3.56	5.41	4.00	1.97	69.5



LL Form 7 and Form 8



LL Series 35



LL Threaded Aluminum and EMT Aluminum

LL Form 7 BlueKote® Conduit Bodies



CAT. NO.	HUB SIZE	DIMENSIONS (IN.)					CU. IN.
		A	B	C	D	E	
LL17	½"	4.60	1.40	1.45	.95	3.20	4.0
LL27	¾"	5.25	1.60	1.65	1.15	3.80	6.6
LL37	1"	6.00	1.90	2.60	1.35	4.55	10.6
LL47	1¼"	6.45	2.30	3.05	1.80	5.00	18.6
LL57	1½"	7.90	2.60	3.80	2.05	5.45	26.4
LL67	2"	8.30	3.20	4.25	2.45	6.40	51.0
LL77	2½"	10.55	3.65	5.80	3.60	8.40	102.0
LL87	3"	10.55	4.40	5.80	3.60	8.40	132.0
LL97	3½"	12.85	4.90	7.03	4.55	10.25	210.0
LL107	4"	12.85	5.40	7.03	4.55	10.25	243.0

LL Form 8 BlueKote® Conduit Bodies



CAT. NO.	HUB SIZE	DIMENSIONS (IN.)					CU. IN.
		A	B	C	D	E	
LL18	½"	4.94	1.44	2.13	1.00	3.31	4.9
LL28	¾"	5.56	1.69	2.31	1.19	3.94	8.0
LL38	1"	6.47	1.94	2.63	1.38	4.56	13.0
LL448	1¼"	7.53	2.38	3.16	1.75	5.31	23.5
LL58	1½"	9.13	2.78	4.00	2.13	6.50	45.0
LL68	2"	11.00	3.56	5.00	3.00	8.56	88.0
LL78	2½"	13.94	4.44	6.69	4.25	10.88	110.0
LL888	3"	13.94	4.81	6.69	4.25	10.88	110.0

LL Series 35 Conduit Bodies



CAT. NO.	HUB SIZE	DIMENSIONS (IN.)			CU. IN.
		A	B	C	
LL50M	½"	2.05	4.68	1.37	4.5
LL75M	¾"	2.25	5.37	1.70	7.5
LL100M	1"	2.65	6.20	1.90	12.5
LL125M	1¼"	2.75	8.12	2.75	32
LL150M	1½"	3.50	8.12	2.83	33
LL200M	2"	4.12	10.50	3.31	68
LL250M	2½"	5.71	13.60	3.90	142
LL300M	3"	5.87	13.87	4.75	173
LL350M	3½"	7.13	16.50	6.81	292
LL400M	4"	7.13	16.50	7.19	324

LL Threaded Aluminum Conduit Bodies



CAT. NO.	HUB SIZE	DIMENSIONS (IN.)								CU. IN.	CU. IN.*
		A	B	C	D	E	F	G	H		
ALL1	½"	3.88	3.50	4.31	1.31	1.38	3.56	2.00	.78	4.3	4.8
ALL2	¾"	4.63	4.13	5.13	1.53	1.63	4.13	2.31	.88	7.3	7.5
ALL3	1"	5.38	4.88	5.31	1.75	1.88	4.88	2.50	1.00	11.8	12.5
ALL4	1¼"	7.25	6.50	7.88	2.50	2.75	6.31	3.38	1.50	32.0	36.5
ALL5	1½"	7.25	6.50	7.88	2.50	2.75	6.31	3.38	1.50	32.0	36.5
ALL6	2"	9.50	8.56	10.19	3.13	3.44	8.19	3.94	1.94	69.5	73.8
ALL7	2½"	12.25	11.25	13.00	4.50	4.50	10.25	5.50	2.88	190.0	
ALL8	3"	12.25	11.25	13.00	4.50	4.50	10.25	5.50	2.88	190.0	
ALL9	3½"	15.00	14.44	16.25	5.50	5.50	12.75	6.50	3.00	366.0	
ALL10	4"	15.00	14.44	16.25	5.50	5.50	12.75	6.50	3.00	366.0	

*LRL Style Only

LL EMT Aluminum Conduit Bodies



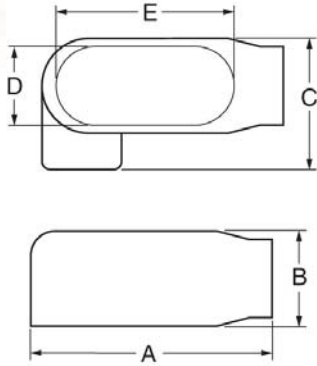
CAT. NO.	HUB SIZE	DIMENSIONS (IN.)								CU. IN.	CU. IN.*
		A	B	C	D	E	F	G	H		
BLL1	½"	3.88	3.50	4.31	1.31	1.38	3.56	2.00	.78	4.3	4.8
BLL2	¾"	4.63	4.13	5.13	1.53	1.63	4.13	2.31	.88	7.3	7.5
BLL3	1"	5.38	4.88	5.31	1.75	1.88	4.88	2.50	1.00	11.8	12.5
BLL4	1¼"	7.25	6.50	7.88	2.50	2.75	6.31	3.38	1.50	32.0	36.5

*LRL Style Only

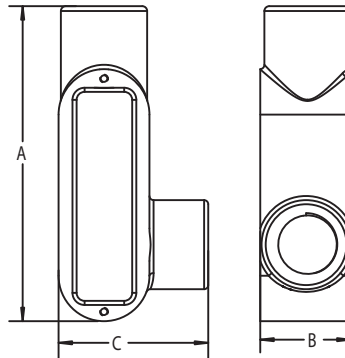
T&B® Fittings

Conduit Outlet Bodies

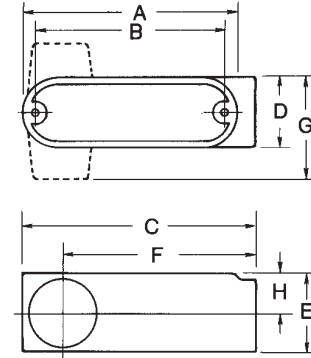
T&B® Fittings



LR Form 7 and Form 8



LR Series 35



LR Threaded Aluminum and EMT Aluminum

LR Form 7 BlueKote® Conduit Bodies



CAT. NO.	HUB SIZE	DIMENSIONS (IN.)					CU. IN.
		A	B	C	D	E	
LR17	½"	4.60	1.40	1.45	.95	3.20	4.0
LR27	¾"	5.25	1.60	1.65	1.15	3.80	6.6
LR37	1"	6.00	1.90	2.60	1.35	4.55	10.6
LR47	1½"	6.45	2.30	3.05	1.80	5.00	18.8
LR57	1½"	7.90	2.60	3.80	2.05	5.45	26.4
LR67	2"	8.30	3.20	4.25	2.45	6.40	51.0
LR77	2½"	10.55	3.65	5.80	3.60	8.40	102.0
LR87	3"	10.55	4.40	5.80	3.60	8.40	132.0
LR97	3½"	12.85	4.90	7.03	4.55	10.25	210.0
LR107	4"	12.85	5.40	7.03	4.55	10.25	243.0

LR Series 35 Conduit Bodies



CAT. NO.	HUB SIZE	DIMENSIONS (IN.)			CU. IN.
		A	B	C	
LR50M	½"	2.05	4.68	1.37	4.5
LR75M	¾"	2.25	5.37	1.70	7.5
LR100M	1"	2.65	6.20	1.90	12.5
LR125M	1¼"	2.75	8.12	2.75	32
LR150M	1½"	3.50	8.12	2.83	35.3
LR200M	2"	4.12	10.50	3.31	68
LR250M	2½"	5.71	13.60	3.90	142
LR300M	3"	5.87	13.87	4.75	173
LR350M-TB	3½"	6.10	16.25	5.62	292
LR400M	4"	6.95	16.25	5.62	324

LR Form 8 BlueKote® Conduit Bodies



CAT. NO.	HUB SIZE	DIMENSIONS (IN.)					CU. IN.
		A	B	C	D	E	
LR18	½"	4.94	1.44	2.16	1.00	3.31	4.4
LR28	¾"	5.56	1.69	2.31	1.19	3.94	8.0
LR38	1"	6.47	1.94	2.63	1.38	4.56	13.0
LR448	1¼"	7.53	2.38	3.16	1.75	5.31	23.6
LR58	1½"	9.13	2.78	4.00	2.13	6.50	45.0
LR68	2"	11.00	3.56	5.00	3.00	8.56	88.0
LR78	2½"	13.94	4.44	6.69	4.25	10.88	110.0
LR888	3"	13.94	4.81	6.69	4.25	10.88	110.0

LR Threaded Aluminum Conduit Bodies



CAT. NO.	HUB SIZE	DIMENSIONS (IN.)								CU. IN.	CU. IN.*
		A	B	C	D	E	F	G	H		
ALR1	½"	3.88	3.50	4.31	1.31	1.38	3.56	2.00	.78	4.3	4.8
ALR2	¾"	4.63	4.13	5.13	1.53	1.63	4.13	2.31	.88	7.3	7.5
ALR3	1"	5.38	4.88	5.31	1.75	1.88	4.88	2.50	1.00	11.8	12.5
ALR4	1¼"	7.25	6.50	7.88	2.50	2.75	6.31	3.38	1.50	32.0	36.5
ALR5	1½"	7.25	6.50	7.88	2.50	2.75	6.31	3.38	1.50	32.0	36.5
ALR6	2"	9.50	8.56	10.19	3.13	3.44	8.19	3.94	1.94	69.5	73.8
ALR7	2½"	12.25	11.25	13.00	4.50	4.50	10.25	5.50	2.88	190.0	—
ALR8	3"	12.25	11.25	13.00	4.50	4.50	10.25	5.50	2.88	190.0	—
ALR9	3½"	15.00	14.44	16.25	5.50	5.50	12.75	6.50	3.00	366.0	—
ALR10	4"	15.00	14.44	16.25	5.50	5.50	12.75	6.50	3.00	366.0	—

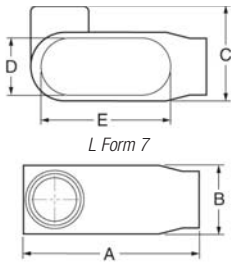
*LRL Style Only

LR EMT Aluminum Conduit Bodies



CAT. NO.	HUB SIZE	DIMENSIONS (IN.)								CU. IN.	CU. IN.*
		A	B	C	D	E	F	G	H		
BLR1	½"	3.88	3.50	4.31	1.31	1.38	3.56	2.00	.78	4.3	4.8
BLR2	¾"	4.63	4.13	5.13	1.53	1.63	4.13	2.31	.88	7.3	7.5
BLR3	1"	5.38	4.88	5.31	1.75	1.88	4.88	2.50	1.00	11.8	12.5
BLR4	1¼"	7.25	6.50	7.88	2.50	2.75	6.31	3.38	1.50	32.0	36.5

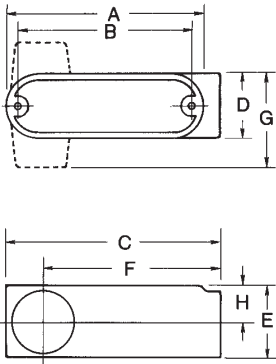
*LRL Style Only



L Form 7

L Form 7 BlueKote® Conduit Bodies

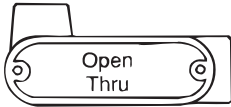
CAT. NO.	HUB SIZE	DIMENSIONS (IN.)				
		A	B	C	D	E
L17-TB	½"	4.60	1.40	1.45	.95	3.20
L27-TB	¾"	5.25	1.60	1.65	1.15	3.80
L37-TB	1"	6.00	1.90	2.60	1.35	4.55
L47-TB	1¼"	6.45	2.30	3.05	1.80	5.00
L57-TB	1½"	7.90	2.60	3.80	2.05	5.45
L67-TB	2"	8.30	3.20	4.25	2.45	6.40



L Threaded Aluminum Conduit Bodies



CAT. NO.	HUB SIZE	DIMENSIONS (IN.)								LRL STYLE ONLY	
		A	B	C	D	E	F	G	H	CU. IN.	CU. IN.
ALRL1	½"	3.88	3.50	4.31	1.31	1.38	3.56	2.00	.78	4.3	4.8
ALRL2	¾"	4.63	4.13	5.13	1.53	1.63	4.13	2.31	.88	7.3	7.5
ALRL3	1"	5.38	4.88	5.31	1.75	1.88	4.88	2.50	1.00	11.8	12.5
ALRL4	1¼"	7.25	6.50	7.88	2.50	2.75	6.31	3.38	1.50	32.0	36.5
ALRL5	1½"	7.25	6.50	7.88	2.50	2.75	6.31	3.38	1.50	32.0	36.5
ALRL6	2"	9.50	8.56	10.19	3.13	3.44	8.19	3.94	1.94	69.5	73.8

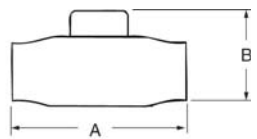


LRL Threaded Aluminum and EMT Aluminum

L EMT Aluminum Conduit Bodies



CAT. NO.	HUB SIZE	DIMENSIONS (IN.)								LRL STYLE ONLY	
		A	B	C	D	E	F	G	H	CU. IN.	CU. IN.
BLRL1	½"	3.88	3.50	4.31	1.31	1.38	3.56	2.00	.78	4.3	4.8
BLRL2	¾"	4.63	4.13	5.13	1.53	1.63	4.13	2.31	.88	7.3	7.5
BLRL3	1"	5.38	4.88	5.31	1.75	1.88	4.88	2.50	1.00	11.8	12.5
BLRL4	1¼"	7.25	6.50	7.88	2.50	2.75	6.31	3.38	1.50	32.0	36.5
BLRL5	1½"	7.25	6.50	7.88	2.50	2.75	6.31	3.38	1.50	32.0	36.5
BLRL6	2"	9.50	8.56	10.19	3.13	3.44	8.19	3.94	1.94	69.5	73.8

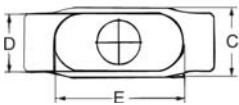


TB Form 8

TB Form 8 BlueKote® Conduit Bodies



CAT. NO.	HUB SIZE	DIMENSIONS (IN.)					CU. IN.
		A	B	C	D	E	
TB18	½"	5.69	2.63	1.38	1.00	3.31	6.0
TB28	¾"	6.28	2.88	1.19	1.19	3.94	9.0
TB38	1"	7.31	3.25	1.75	1.38	4.56	15.0
TB448	1¼"	8.50	3.31	2.19	1.75	5.31	24.0
TB58	1½"	10.38	3.69	2.75	2.13	6.50	46.5
TB68	2"	12.25	4.25	3.75	3.00	8.56	88.0



TB Series 35

TB Series 35 Conduit Bodies

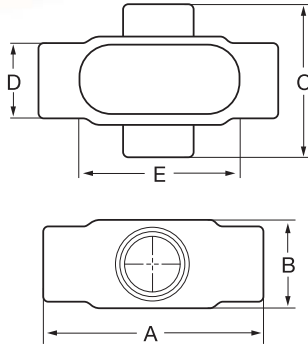


CAT. NO.	HUB SIZE	DIMENSIONS (IN.)			CU. IN.
		A	B	C	
TB50M	½"	1.34	5.38	2.05	6
TB75M	¾"	1.50	6.00	2.25	9.5
TB100M	1"	1.80	7.05	2.65	15
TB125M	1¼"	2.60	9.00	2.75	33
TB150M	1½"	2.60	9.00	2.83	36
TB200M	2"	3.12	11.50	4.42	76

T&B® Fittings

Conduit Outlet Bodies

T&B Fittings



X Form 7 and Form 8

X Form 7 BlueKote® Conduit Bodies

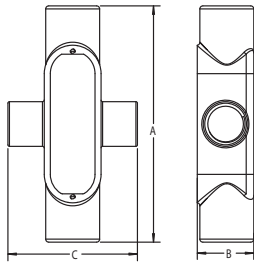


CAT. NO.	HUB SIZE	DIMENSIONS (IN.)					CU. IN.
		A	B	C	D	E	
X17	½"	5.60	1.80	3.05	.95	3.20	6.0
X27	¾"	6.20	2.00	3.30	1.15	3.80	9.1
X37	1"	7.35	2.30	3.80	1.35	4.55	16.9
X47	1¼"	7.30	2.30	3.85	1.80	5.00	19.3
X57	1½"	8.60	2.60	5.05	2.05	5.45	27.5
X67	2"	9.50	3.20	5.45	2.45	6.40	52.8

X Form 8 BlueKote® Conduit Bodies



CAT. NO.	HUB SIZE	DIMENSIONS (IN.)					CU. IN.
		A	B	C	D	E	
X18	½"	5.69	1.75	2.91	1.00	3.31	6.0
X28	¾"	6.28	2.00	3.06	1.38	3.94	9.0
X38	1"	7.31	2.25	3.50	1.38	4.56	15.0
X448	1¼"	8.50	2.63	4.13	1.75	5.31	24.0
X58	1½"	10.38	2.47	5.25	2.13	6.50	46.5
X68	2"	12.25	3.56	6.25	3.00	8.56	88.0

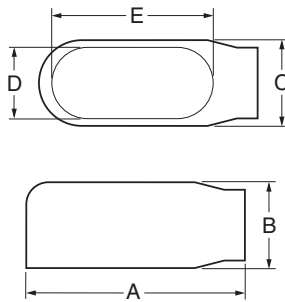


X Series 35

X Series 35 Conduit Bodies



CAT. NO.	HUB SIZE	DIMENSIONS (IN.)			CU. IN.
		A	B	C	
X50M	½"	2.79	5.41	1.75	36.0
X75M	¾"	2.93	6.08	1.97	76.0
X100M	1"	3.56	7.1	2.25	6.0
X125M	1¼"	4.43	9.1	2.55	9.5
X150M	1½"	4.43	9.1	2.75	15.0
X200M	2"	5.4	11.75	3.45	33.0



E Form 7

E Form 7 BlueKote® Conduit Bodies



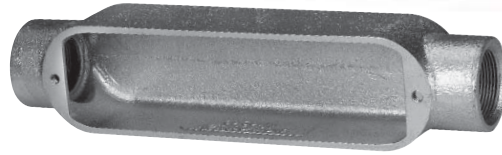
CAT. NO.	HUB SIZE	DIMENSIONS (IN.)					CU. IN.
		A	B	C	D	E	
E17	½"	4.60	1.40	1.45	.95	3.20	6.0
E27	¾"	5.25	1.60	1.65	1.15	3.80	9.1
E37	1"	6.00	1.90	1.80	1.35	4.55	16.9

E Threaded Aluminum Conduit Bodies



CAT. NO.	HUB SIZE	DIMENSIONS (IN.)							CU. IN.
		A	B	C	D	E	F	G	
AE-1	½"	3.88	4.38	1.33	1.38	2.41	2.06	.81	4.3
AE-2	¾"	4.63	5.13	1.53	1.63	2.78	2.34	.94	7.3
AE-3	1"	5.38	5.94	1.75	1.88	3.25	2.63	1.00	11.8

Mogul Conduit Outlet Bodies



Application

- Act as pull outlets for conductors that are stiff, due to large size or type of insulation
- Provide the longer openings needed when pulling large conductors
- Prevent sharp bends and kinks in large conductors (protects insulation during installation)
- Provide ample openings for splices and taps
- Provide access to wiring for maintenance, and future system changes

Features

- Long openings
- Provision for easy bends
- Tapered tapped hubs with integral bushings
- Stainless Steel cover screws
- Covers and gaskets included

Standard Materials

- Class 30 Gray iron alloy

Standard Finishes

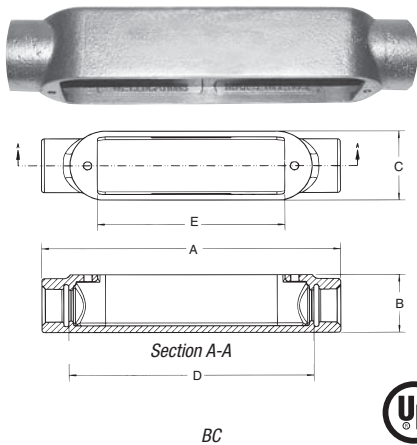
- Electrogalvanized and aluminum acrylic paint

Listings/Compliances

- UL Standard: 514B
- Fed. Spec.: W-C-586D
- CSA Standard: C22.2 No.18
- UL listed for wet locations

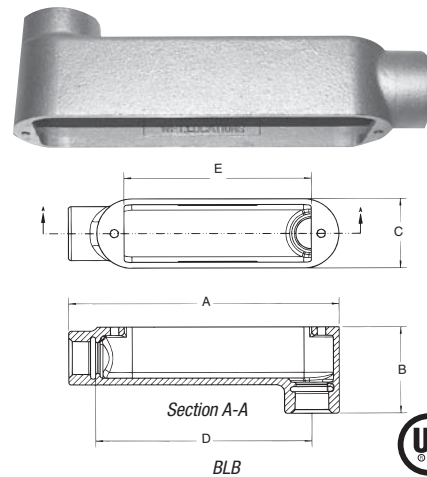
NOTE: See NEC 370-28 (a) (1) and (2) for pull length and bending space requirements applicable to BC, BLB and BUB Series Moguls.

BC Mogul Series (Cover and Gasket Included)



CAT. NO.	HUB SIZE	DIMENSIONS (IN.)					CU. IN.
		A	B	C	D	E	
BC3-TB	1"	9.56	1.88	2.25	7.84	6	20.0
BC4-TB	1 1/4"	9.56	2.31	2.25	7.84	6	25.0
BC5-TB	1 1/2"	13.75	2.56	3	11.45	10	60.0
BC6-TB	2"	13.75	3.31	3	11.45	10	78.0
BC7-TB	2 1/2"	18.38	3.63	4.25	15.61	15	180.0
BC8-TB	3"	18.38	4.38	4.25	15.82	15	225.0
BC9-TB	3 1/2"	23.75	4.88	5.25	20.50	20	410.0
BC10-TB	4"	23.75	5.38	5.25	20.50	20	460.0

BLB Mogul Series (Cover and Gasket Included)



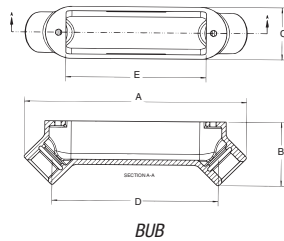
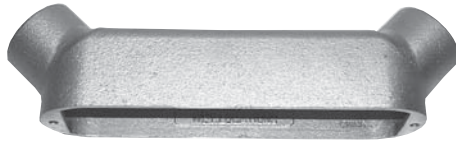
CAT. NO.	HUB SIZE	DIMENSIONS (IN.)					CU. IN.
		A	B	C	D	E	
BLB3-TB	1"	8.66	2.80	2.25	6.92	6	20.0
BLB4-TB	1 1/4"	8.66	2.70	2.25	6.70	6	25.0
BLB5-TB	1 1/2"	12.58	2.56	3	10.36	10	62.0
BLB6-TB	2"	12.58	4.16	3	10.13	10	78.0
BLB7-TB	2 1/2"	16.94	5.10	4.25	13.89	15	170.0
BLB8-TB	3"	16.94	5.81	4.25	13.59	15	210.0
BLB9-TB	3 1/2"	22.16	6.50	5.25	18.32	20	410.0
BLB10-TB	4"	22.16	7.00	5.25	18.06	20	460.0

T&B® Fittings

Mogul Conduit Outlet Bodies

BUB Mogul Series (Cover and Gasket Included)

T&B Fittings

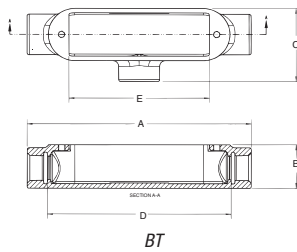
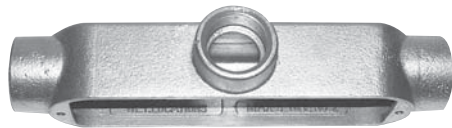


BUB



CAT. NO.	HUB SIZE	DIMENSIONS (IN.)					CU. IN.
		A	B	C	D	E	
BUB3-TB	1"	9.49	2.75	2.25	7.01	6	20.0
BUB4-TB	1½"	9.55	3.21	2.25	6.71	6	25.0
BUB5-TB	1½"	16.68	6.67	3	10.47	10	62.0
BUB6-TB	2"	13.68	4.28	3	10.20	10	78.0
BUB7-TB	2½"	18.30	5.03	4.25	13.97	15	170.0
BUB8-TB	3"	18.30	5.67	4.25	13.50	15	210.0
BUB9-TB	3½"	23.74	6.72	5.25	18.07	20	385.0
BUB10-TB	4"	23.74	7.22	5.25	17.73	20	430.0

BT Mogul Series (Cover and Gasket Included)

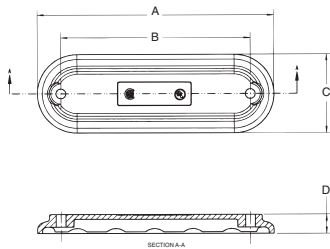


BT

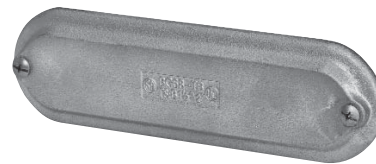


CAT. NO.	HUB SIZE	DIMENSIONS (IN.)					CU. IN.
		A	B	C	D	E	
BT3-TB	1"	9.56	1.88	3.16	7.84	6	20.0
BT4-TB	1½"	9.56	2.31	3.16	7.84	6	25.0
BT5-TB	1½"	13.75	2.56	4.06	11.45	10	62.0
BT6-TB	2"	13.75	3.31	4.06	11.45	10	78.0
BT7-TB	2½"	18.38	3.63	5.59	15.61	15	180.0
BT8-TB	3"	18.38	4.38	5.72	15.82	15	225.0
BT9-TB	3½"	23.75	4.88	6.88	20.50	20	410.0
BT10-TB	4"	23.75	5.38	6.88	20.50	20	460.0

BG Mogul Series Replacement Covers



BG

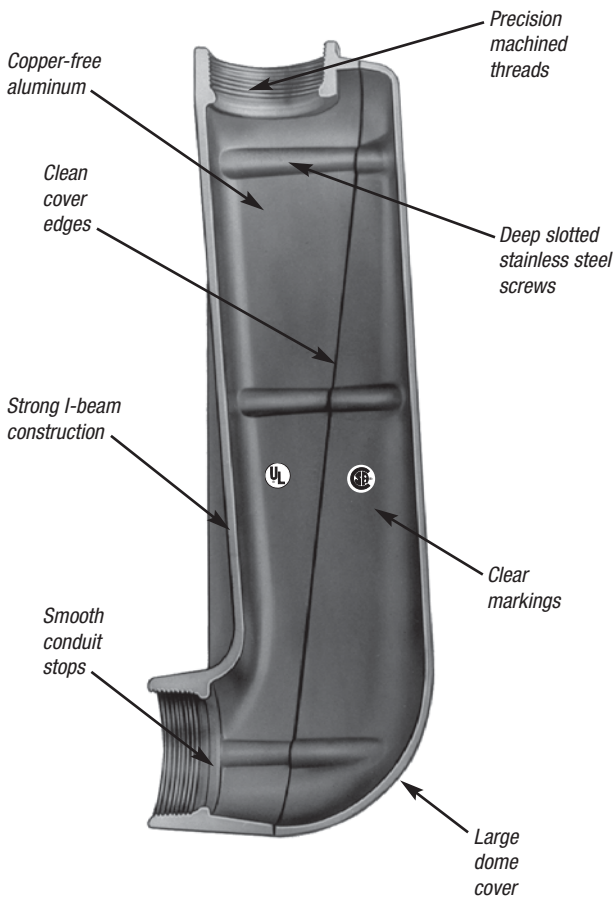


CAT. NO.	HUB SIZE	DIMENSIONS (IN.)				
		A	B	C	D	E
BG48T-B	1"-1½"	8.27	6.62	2.77	.67	-
BG68-TB	1½"-2"	12	10.62	3.60	.82	-
BG88-TB	2½"-3"	16.22	12.44	4.97	.85	2.75
BG98-TB	3½"-4"	21.21	16.63	5.96	.87	3.75

Aluminum Mogul Conduit Outlet Bodies



MALB



Application

- Raintight junction for bringing electrical service into a location
- Spacious, accessible wiring chamber provides a convenient location to pull conductors and make splices

Features

- Copper-free* aluminum provides increased corrosion resistance
- Precision cast and machined surfaces permit safer wire pulling
- Clean cover edges provide good gasket sealing
- Precision NPT threaded hubs enable trouble-free field installation for rigid and IMC conduit
- Deep slotted stainless steel cover screws for faster installation
- Clear UL, CSA and cubic content markings speed approval by inspectors
- Dome-style cover permits easy wire pulling
- Meets NEC Article 370-28, 6-1 ratio
- Meets NEMA 3R standards

Standard Materials

- Mogul Pulling Elbows: Die cast aluminum alloy A360 with less than .004 copper content (copper-free). Stainless steel screws
- Gaskets: Composition

Standard Finish

- Aluminum lacquer finish

Listings/Compliances

- UL Listed
- CSA Certified
- Federal Spec. W-C-586
- NEC Article 370-28

Sample Specifications

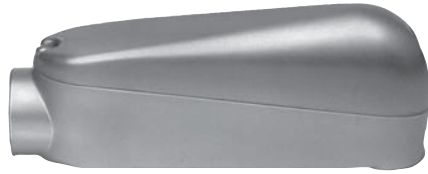
- Mogul Pulling Elbows shall be die cast copper-free* aluminum alloy A360. All conduit stops shall be coined and free of rough edges. Mogul Pulling Elbows shall be finished with aluminum lacquer

Mogul Pulling Elbows shall be Red•Dot® Catalog No. _____

*Less than .004 copper content

Aluminum Mogul Conduit Outlet Bodies with Covers and Gaskets

T&B Fittings



MALB-3 through -6

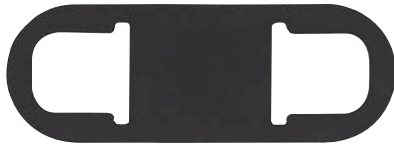


MALB-7 through -10



CAT. NO.	HUB SIZE	UNIT QTY.	STD. PKG.	WT. LBS. PER 100
MALB-3	1"	1	10	174
MALB-4	1¼"	2	10	160
MALB-5	1½"	1	1	400
MALB-6	2"	1	1	375
MALB-7	2½"	1	1	1100
MALB-8	3"	1	1	1060
MALB-9	3½"	1	1	1900
MALB-10	4"	1	1	1800

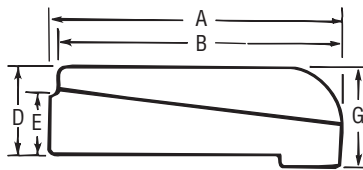
Replacement Covers and Gaskets



MGKV-4 through -7



COVER CAT. NO.	GASKET CAT. NO.	HUB SIZE	UNIT QTY.	STD. PKG.	WT. LBS. PER 100
—	MGKV-5	1½"	1	5	4
MALB-56CV	MGKV-5	1½" to 2"	1	5	4
MALB-78CV	MGKV-6	2½" to 3"	1	5	5
MALB-90CV	MGKV-7	3½" to 4"	1	5	5



MALB

MALB Dimensions

SIZE	DIMENSIONS (IN.)						
	A	B	C	D	E	F	G
1"	9.63	9.06	2.50	2.75	2.06	8.50	3.63
1¼"	9.63	9.06	2.50	2.75	2.06	8.50	3.63
1½"	14.53	14.25	2.75	4.00	2.81	13.00	5.22
2"	14.53	14.25	2.75	4.00	2.81	13.00	5.22
2½"	21.69	21.41	4.50	5.63	4.38	18.00	7.72
3"	21.69	21.41	4.50	5.63	4.38	18.00	7.72
3½"	28.63	28.69	5.50	6.50	5.38	24.00	9.72
4"	28.63	28.69	5.50	6.50	5.38	24.00	9.72