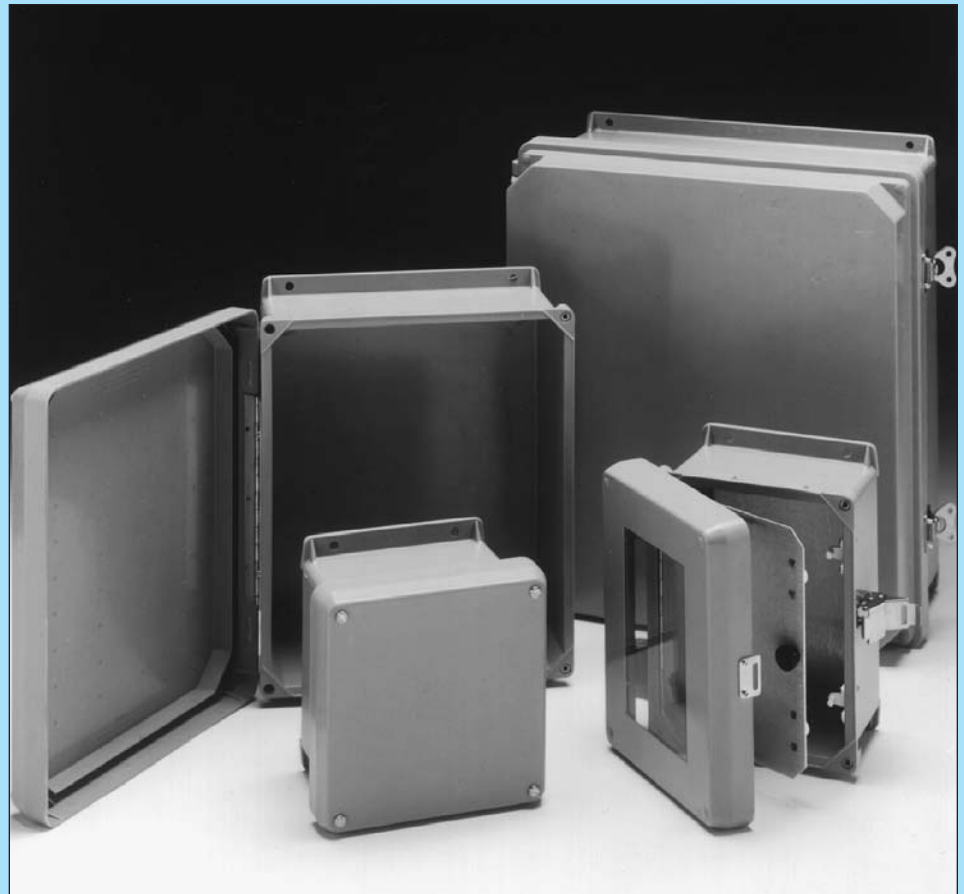


VJ SERIES

Features

- The VJ series is designed in accordance with the Joint Industrial Council (JIC) - USA.
- The VJ range consists of seven box sizes in several versions:
 - with screw cover
 - with stainless steel piano hinge
 - with non-metallic hinges
 - with standard or padlockable latch
- The bases and covers are made of gray (RAL 7035), hot molded, fiberglass reinforced polyester, dyed in mass. They come complete with UL/CSA-label and 4 threaded inserts for a mounting plate.
- Cover screw holes in corners are outside of gasketed area.
- Continuous gaskets made of polyurethane foam guarantee optimal integrity.
- All mounting hardware is made of stainless steel.
- The enclosure can be readily worked with conventional tools, such as drills, mills, saws, punches, etc...
- Versatile service conditions: polyester enclosures can withstand continuous temperatures up to -58°F to +302°F (-50°C to 150°C) and momentary temperatures to +392°F (200°C)
- The VJ enclosures without latches provide optimum security to both operators and equipment because they feature double insulation and protection degree **IP66-11** according to IEC 529.
- VJ enclosures are maintenance free and corrosion resistant.
- VJ enclosures are UL listed, as per UL Standard 508 type 3, 3R, 4, 4X, 12 and 13. They are also CSA approved as per C22.2 No. 94.

*** For static load on back panels consult the factory.**



VJ SERIES




Application

Designed for use as electrical junction boxes in highly corrosive environments including oil refineries and chemical processing plants, waste water treatment and marine installations, electroplating plants, agricultural environments and food or animal processing plants. These enclosures are also suitable as instrument housings in both indoor and outdoor applications. Window enclosure provides easy visual inspection of interior components.

Standards

IEC 439-1
 IEC 529 - Rated IP66-11
 EN 50298
 CSA Certified per C22.2 No. 94
 CE

Approvals

-  UL 508 NEMA 3, 3R, 4, 4X, 12 & 13
-  CSA 3, 3R, 4, 4X, 12 & 13
-  AS Australian Standards 3131-1991
EExeII, INTEX 84.102.378 U
-  LLOYD'S Register of Shipping
BASEEFA
-  KEMA NETHERLANDS
-  CEBEC BELGIUM
- RoHS

FRP NEMA rating 3, 3R, 4, 4X, 12 & 13 VJ Series with 4 Captive Stainless Steel Cover Screws



FEATURES

- All VJ Series enclosures are designed to meet the Joint Industrial Council (JIC) standards in the United States.
- VJ's are made from corrosion resistant hot compression molded fiberglass reinforced polyester and do not contain halogens.
- The VJ Series "W" enclosures include four stainless steel captive screws that secure the cover to the base by means of four threaded brass inserts contained in the base.
- Seven sizes are available from 6" x 6" to 18" x 16"
- Vynckier's VJ enclosures are capable of withstanding continuous temperatures from -58°F (-50°C) up to 302°F (150°C).
- VJ enclosures provide protection for equipment and operators from indirect electrical contact.
- All VJ enclosures are UL listed per UL Standard 508 for NEMA 3, 3R, 4, 4X, 12 & 13; CSA Certified per Standard C22.2-

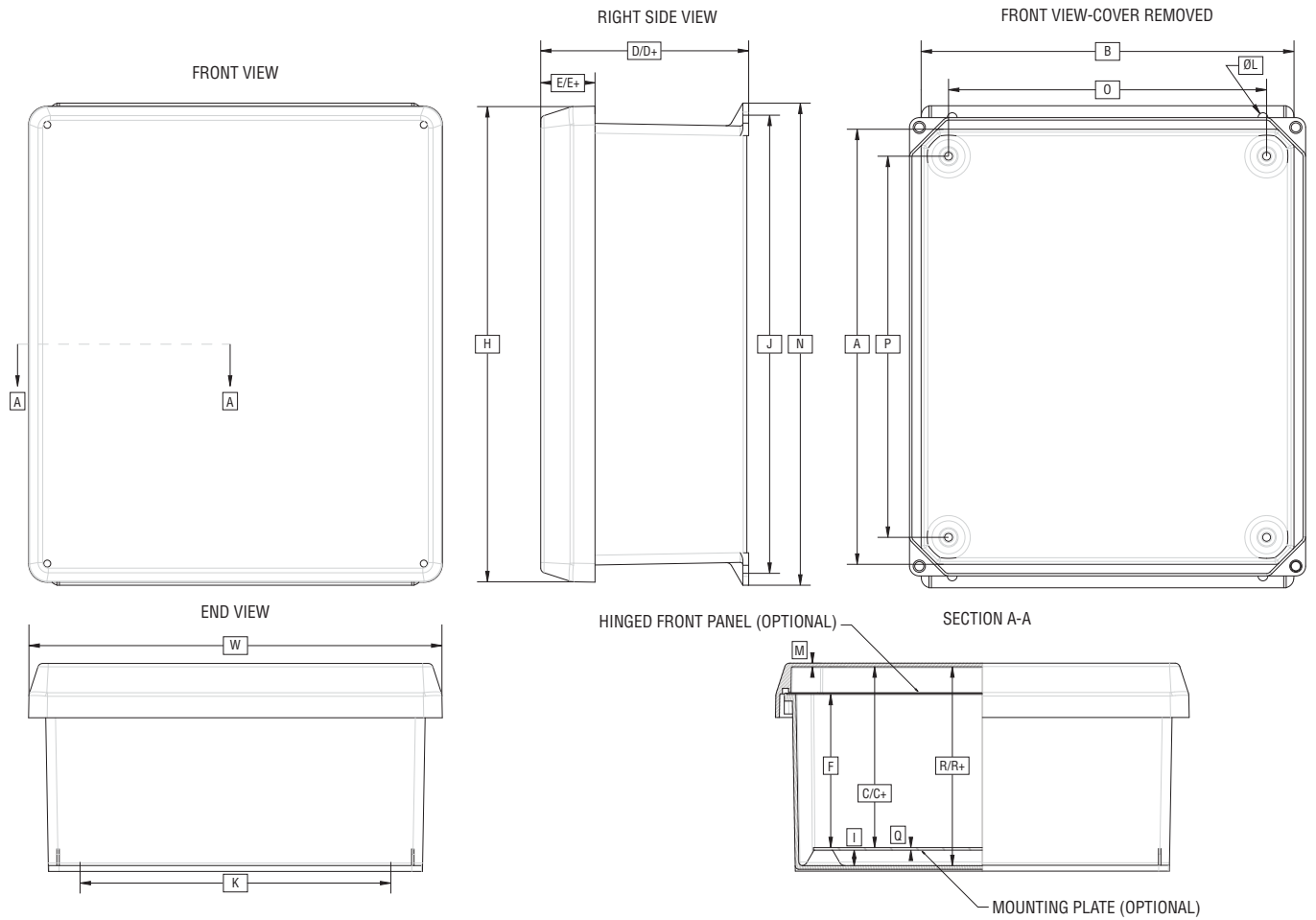
0, 0.4, 0.7, 0.6, 94 Type 3, 3R, 4, 4X, 12 & 13.

OPTIONAL ACCESSORIES

- Molded Instrument Windows
- Aluminum, Painted Steel or non-metallic Mounting Plates
- Aluminum Hinged Front Plates
- Aluminum Front Plates with quarter turn brackets
- MEDV Air Vents
- Backpanel stand-offs in four different lengths

| Part Numbers Screw Cover | Outside Dimension | | | Inside Dimension | | | Weight | Mounting Plates* | | | | Front Panels | |
|--------------------------------|----------------------|------------------|-----------------|---------------------|------------------|-----------------|--------------------|------------------|---------|--------------|------------------------------|--------------|-----------|
| | H | W | D | A | B | C | | Aluminum | Steel | Non-Metallic | Dimensions | Plain | Hinged |
| VJ606W (mm) | 7.31 (185.8) | 7.31 (185.8) | 4.96 (126.0) | 6.00 (152.4) | 6.00 (152.4) | 4.21 (107.0) | 2.8 lb 1.27 kg | MP606A | MP606S | MP606N | 4.88 x 4.88 (124 x 124) | VFP606A | VFPH606A |
| VJ806W (mm) | 9.31 (236.6) | 7.31 (185.8) | 4.96 (126.0) | 8.00 (203.2) | 6.00 (152.4) | 4.21 (107.0) | 3.8 lb 1.72 kg | MP806A | MP806S | MP806N | 6.75 x 4.88 (171 x 124) | VFP806A | VFPH806A |
| VJ1008W (mm) | 11.31 (287.4) | 9.31 (236.6) | 5.43 (138.0) | 10.00 (254.0) | 8.00 (203.2) | 4.69 (119.0) | 4.8 lb 2.17 kg | MP1008A | MP1008S | MP1008N | 8.75 x 6.88 (222 x 175) | VFP1008A | VFPH1008A |
| VJ1210W (mm) | 13.31 (338.2) | 11.31 (287.4) | 5.59 (142.0) | 12.00 (304.8) | 10.00 (254.0) | 4.84 (123.0) | 6.3 lb 2.85 kg | MP1210A | MP1210S | MP1210N | 10.50 x 8.88 (267 x 226) | VFP1210A | VFPH1210A |
| VJ1412W (mm) | 15.32 (389) | 13.30 (338) | 6.70 (170.0) | 14.00 (355.6) | 12.00 (304.8) | 5.82 (147.8) | 8.6 lb 3.90 kg | MP1412A | MP1412S | MP1412N | 12.75 x 10.88 (324 x 276) | VFP1412A | VFPH1412A |
| VJ1614W (mm) | 17.31 (439.8) | 15.31 (389) | 6.69 (170.0) | 16.00 (406.4) | 14.00 (355.6) | 5.82 (147.8) | 10.6 lb 4.80 kg | MP1614A | MP1614S | MP1614N | 14.75 x 12.88 (375 x 327) | VFP1614A | VFPH1614A |
| VJ1816W (mm) | 19.31 (490.6) | 17.31 (439.8) | 9.57 (243.0) | 18.00 (457.2) | 16.00 (406.4) | 8.69 (220.8) | 14.0 lb 6.34 kg | MP1816A | MP1816S | MP1816N | 16.75 x 14.88 (426 x 378) | VFP1816A | VFPH1816A |

* A aluminum back panel (.080" material thickness)
 S painted steel back panel (.060" material thickness)
 N non-metallic back panel (.187" material thickness)



| Part Numbers Screw Cover | Dimensions | | | | | | | | | | | |
|--------------------------------|----------------|-----------------|----------------|------------------|------------------|---------------|---------------|------------------|------------------|------------------|---------------|-----------------|
| | E | F | I | J | K | L | M | N | O | P | Q | R |
| VJ606W (mm) | 1.38 (35.0) | 3.76 (95.5) | 0.37 (9.5) | 6.75 (171.5) | 4.00 (101.6) | 0.31 (8.0) | 0.12 (3.0) | 7.50 (190.5) | 4.25 (108.0) | 4.25 (108.0) | 0.08 (2.0) | 4.67 (118.5) |
| VJ806W (mm) | 1.38 (35.0) | 3.76 (95.5) | 0.37 (9.5) | 8.75 (222.2) | 4.00 (101.6) | 0.31 (8.0) | 0.12 (3.0) | 9.50 (241.2) | 4.25 (108.0) | 6.26 (159.0) | 0.08 (2.0) | 4.67 (118.5) |
| VJ1008W (mm) | 1.62 (41.2) | 4.01 (101.8) | 0.37 (9.5) | 10.75 (273.0) | 6.00 (152.5) | 0.31 (8.0) | 0.12 (3.0) | 11.50 (292.0) | 6.24 (158.5) | 8.25 (209.5) | 0.08 (2.0) | 5.14 (130.5) |
| VJ1210W (mm) | 1.62 (41.2) | 4.13 (105.0) | 0.37 (9.5) | 12.76 (324.0) | 8.00 (203.2) | 0.31 (8.0) | 0.12 (3.0) | 13.50 (343.0) | 8.25 (209.5) | 10.26 (260.5) | 0.08 (2.0) | 5.30 (134.5) |
| VJ1412W (mm) | 1.75 (44.4) | 4.92 (125.0) | 0.50 (12.7) | 14.75 (374.6) | 10.00 (254.0) | 0.31 (8.0) | 0.12 (3.0) | 15.51 (394.0) | 10.24 (260.0) | 12.26 (311.5) | 0.08 (2.0) | 6.40 (162.5) |
| VJ1614W (mm) | 1.75 (44.4) | 5.01 (127.3) | 0.50 (12.7) | 16.75 (425.5) | 12.01 (305.0) | 0.31 (8.0) | 0.12 (3.0) | 17.52 (445.0) | 12.24 (311.0) | 14.25 (362.0) | 0.08 (2.0) | 6.40 (162.5) |
| VJ1816W (mm) | 1.75 (44.4) | 7.89 (200.3) | 0.50 (12.7) | 18.75 (476.2) | 12.01 (305.0) | 0.31 (8.0) | 0.12 (3.0) | 19.49 (495.0) | 14.25 (362.0) | 16.26 (413.0) | 0.08 (2.0) | 9.27 (235.5) |

FRP NEMA rating 3, 3R, 4, 4X, 12 & 13 VJ Series with 2 Captive Stainless Steel Cover Screws and a Stainless Steel Piano Hinge



FEATURES

- All VJ Series enclosures are designed to meet the Joint Industrial Council (JIC) standards in the United States.
- VJ's are made from corrosion resistant hot compression molded fiberglass reinforced polyester and do not contain halogens.
- The VJ Series "HW" enclosures include two stainless steel captive screws and a stainless steel piano hinge that secure the cover to the base. Two threaded brass inserts contained in the base secure the cover screws, rivets connect the hinge to the cover and self-tapping screws connect the hinge to the base.
- Seven sizes are available from 6" x 6" to 18" x 16"
- Vynckier's VJ enclosures are capable of withstanding continuous temperatures from -58°F (-50°C) up to 302°F (150°C).
- VJ enclosures provide protection for equipment and operators from indirect electrical contact.

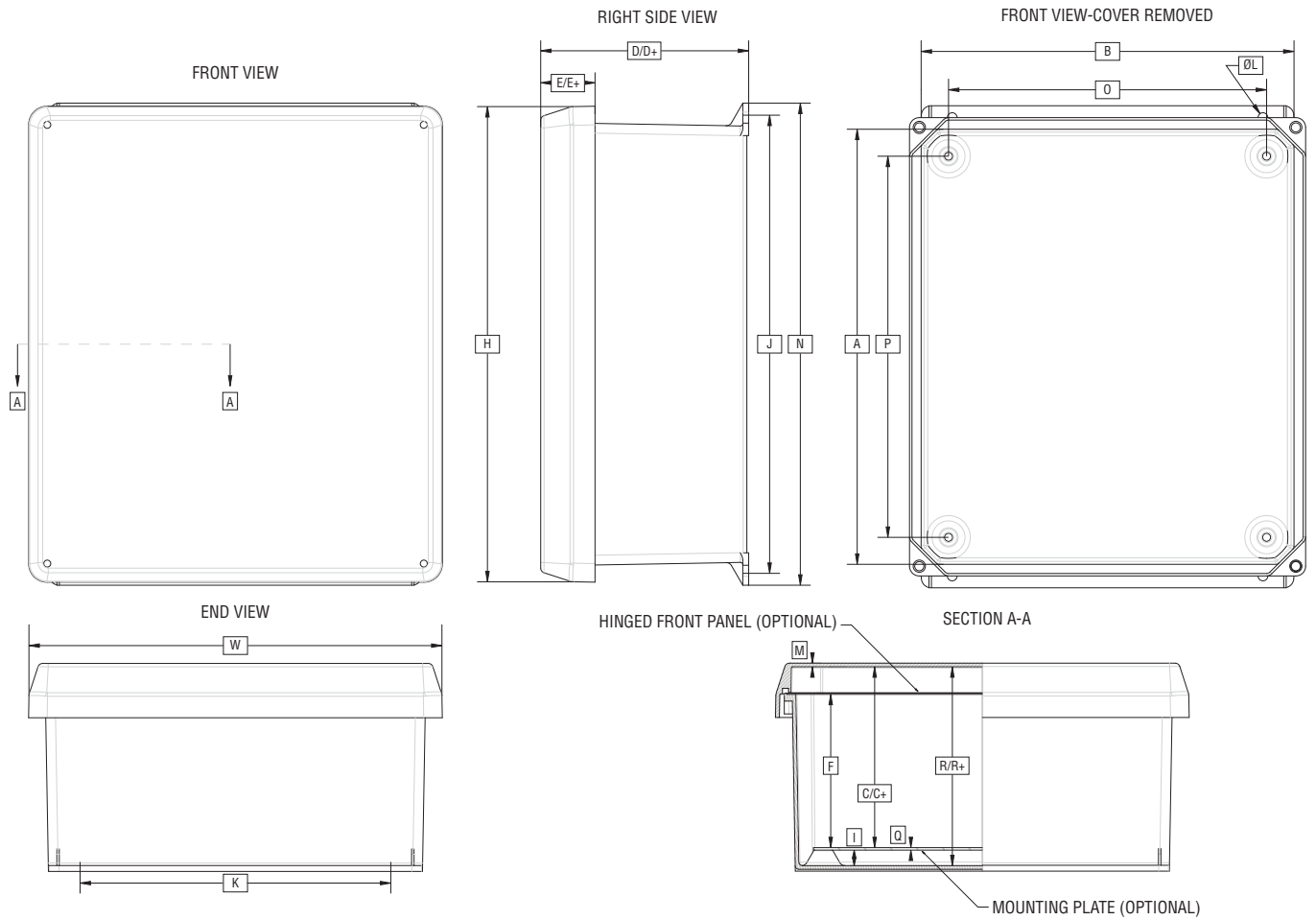
- All VJ enclosures are UL listed per UL Standard 508 for NEMA 3, 3R, 4, 4X, 12 & 13; CSA Certified per Standard C22.2-0, 0.4, 0.7, 0.6, 94 Type 3, 3R, 4, 4X, 12 & 13.

OPTIONAL ACCESSORIES

- Molded Instrument Windows
- Aluminum, Painted Steel or non-metallic Mounting Plates
- Aluminum Hinged Front Plates
- Aluminum Front Plates with quarter turn brackets
- MEDV Air Vents
- Backpanel stand-offs in four different lengths

| Part Numbers Hinged Screw Cover | Outside Dimension | | | Inside Dimension | | | Weight | Mounting Plates* | | | Dimensions | Front Panels | |
|---------------------------------------|----------------------|------------------|-----------------|---------------------|------------------|-----------------|--------------------|------------------|---------|--------------|------------------------------|--------------|-----------|
| | H | W | D | A | B | C | | Aluminum | Steel | Non-Metallic | | Plain | Hinged |
| VJ606HW (mm) | 7.31 (185.8) | 7.31 (185.8) | 4.96 (126.0) | 6.00 (152.4) | 6.00 (152.4) | 4.21 (107.0) | 2.8 lb 1.27 kg | MP606A | MP606S | MP606N | 4.88 x 4.88 (124 x 124) | VFP606A | VFPH606A |
| VJ806HW (mm) | 9.31 (236.6) | 7.31 (185.8) | 4.96 (126.0) | 8.00 (203.2) | 6.00 (152.4) | 4.21 (107.0) | 3.8 lb 1.72 kg | MP806A | MP806S | MP806N | 6.75 x 4.88 (171 x 124) | VFP806A | VFPH806A |
| VJ1008HW (mm) | 11.31 (287.4) | 9.31 (236.6) | 5.43 (138.0) | 10.00 (254.0) | 8.00 (203.2) | 4.69 (119.0) | 4.8 lb 2.17 kg | MP1008A | MP1008S | MP1008N | 8.75 x 6.88 (222 x 175) | VFP1008A | VFPH1008A |
| VJ1210HW (mm) | 13.31 (338.2) | 11.31 (287.4) | 5.59 (142.0) | 12.00 (304.8) | 10.00 (254.0) | 4.84 (123.0) | 6.3 lb 2.85 kg | MP1210A | MP1210S | MP1210N | 10.50 x 8.88 (267 x 226) | VFP1210A | VFPH1210A |
| VJ1412HW (mm) | 15.32 (389) | 13.30 (338) | 6.70 (170.0) | 14.00 (355.6) | 12.00 (304.8) | 5.82 (147.8) | 8.6 lb 3.90 kg | MP1412A | MP1412S | MP1412N | 12.75 x 10.88 (324 x 276) | VFP1412A | VFPH1412A |
| VJ1614HW (mm) | 17.31 (439.8) | 15.31 (389) | 6.69 (170.0) | 16.00 (406.4) | 14.00 (355.6) | 5.82 (147.8) | 10.6 lb 4.80 kg | MP1614A | MP1614S | MP1614N | 14.75 x 12.88 (375 x 327) | VFP1614A | VFPH1614A |
| VJ1816HW (mm) | 19.31 (490.6) | 17.31 (439.8) | 9.57 (243.0) | 18.00 (457.2) | 16.00 (406.4) | 8.69 (220.8) | 14.0 lb 6.34 kg | MP1816A | MP1816S | MP1816N | 16.75 x 14.88 (426 x 378) | VFP1816A | VFPH1816A |

- * A aluminum back panel (.080" material thickness)
 S painted steel back panel (.060" material thickness)
 N non-metallic back panel (.187" material thickness)



| Part Numbers Hinged Screw Cover | Dimensions | | | | | | | | | | | |
|---------------------------------------|----------------|-----------------|----------------|------------------|------------------|---------------|---------------|------------------|------------------|------------------|---------------|-----------------|
| | E | F | I | J | K | L | M | N | O | P | Q | R |
| VJ606HW (mm) | 1.38 (35.0) | 3.76 (95.5) | 0.37 (9.5) | 6.75 (171.5) | 4.00 (101.6) | 0.31 (8.0) | 0.12 (3.0) | 7.50 (190.5) | 4.25 (108.0) | 4.25 (108.0) | 0.08 (2.0) | 4.67 (118.5) |
| VJ806HW (mm) | 1.38 (35.0) | 3.76 (95.5) | 0.37 (9.5) | 8.75 (222.2) | 4.00 (101.6) | 0.31 (8.0) | 0.12 (3.0) | 9.50 (241.2) | 4.25 (108.0) | 6.26 (159.0) | 0.08 (2.0) | 4.67 (118.5) |
| VJ1008HW (mm) | 1.62 (41.2) | 4.01 (101.8) | 0.37 (9.5) | 10.75 (273.0) | 6.00 (152.5) | 0.31 (8.0) | 0.12 (3.0) | 11.50 (292.0) | 6.24 (158.5) | 8.25 (209.5) | 0.08 (2.0) | 5.14 (130.5) |
| VJ1210HW (mm) | 1.62 (41.2) | 4.13 (105.0) | 0.37 (9.5) | 12.76 (324.0) | 8.00 (203.2) | 0.31 (8.0) | 0.12 (3.0) | 13.50 (343.0) | 8.25 (209.5) | 10.26 (260.5) | 0.08 (2.0) | 5.30 (134.5) |
| VJ1412HW (mm) | 1.75 (44.4) | 4.92 (125.0) | 0.50 (12.7) | 14.75 (374.6) | 10.00 (254.0) | 0.31 (8.0) | 0.12 (3.0) | 15.51 (394.0) | 10.24 (260.0) | 12.26 (311.5) | 0.08 (2.0) | 6.40 (162.5) |
| VJ1614HW (mm) | 1.75 (44.4) | 5.01 (127.3) | 0.50 (12.7) | 16.75 (425.5) | 12.01 (305.0) | 0.31 (8.0) | 0.12 (3.0) | 17.52 (445.0) | 12.24 (311.0) | 14.25 (362.0) | 0.08 (2.0) | 6.40 (162.5) |
| VJ1816HW (mm) | 1.75 (44.4) | 7.89 (200.3) | 0.50 (12.7) | 18.75 (476.2) | 12.01 (305.0) | 0.31 (8.0) | 0.12 (3.0) | 19.49 (495.0) | 14.25 (362.0) | 16.26 (413.0) | 0.08 (2.0) | 9.27 (235.5) |

FRP NEMA rating 3, 3R, 4, 4X, 12 & 13 VJ Series with Stainless Steel Padlockable Latch(s) and a Stainless Steel Piano Hinge



FEATURES

- All VJ Series enclosures are designed to meet the Joint Industrial Council (JIC) standards in the United States.
- VJ's are made from corrosion resistant hot compression molded fiberglass reinforced polyester and do not contain halogens.
- The VJ Series "HWPL" enclosures include one or two stainless steel padlockable latches to secure one side of the cover to the base and a stainless steel piano hinge that secures the other. Rivets connect the hinge to the cover and self-tapping screws connect the screws to the base.
- Seven sizes are available from 6" x 6" to 18" x 16"
- Vynckier's VJ enclosures are capable of withstanding continuous temperatures from -58°F (-50°C) up to 302°F (150°C).
- VJ enclosures provide protection for equipment and operators from indirect electrical contact.

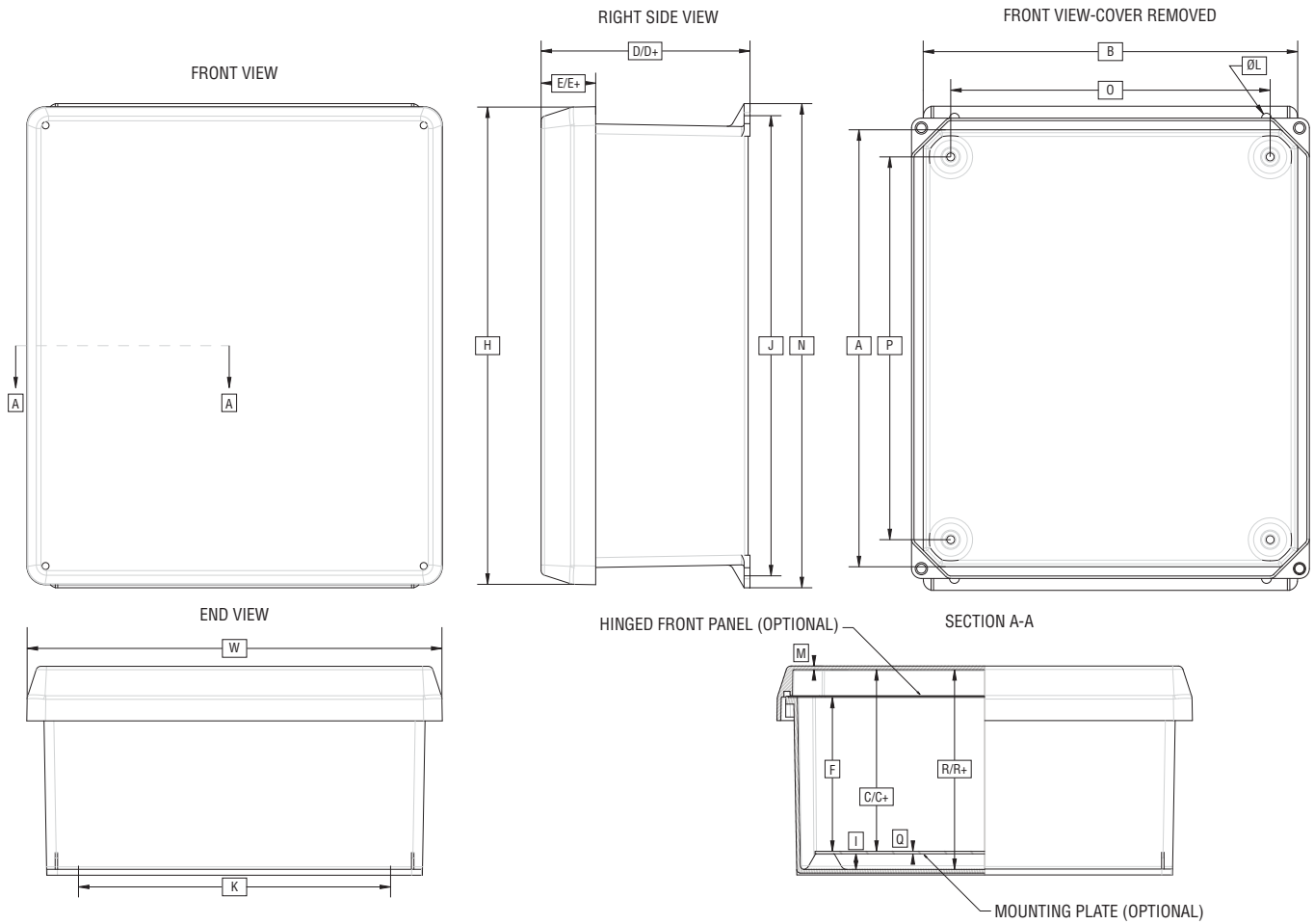
- All VJ enclosures are UL listed per UL Standard 508 for NEMA 3, 3R, 4, 4X, 12 & 13; CSA Certified per Standard C22.2-0, 0.4, 0.7, 0.6, 94 Type 3, 3R, 4, 4X, 12 & 13.

OPTIONAL ACCESSORIES

- Molded Instrument Windows
- Aluminum, Painted Steel or non-metallic Mounting Plates
- Aluminum Hinged Front Plates
- Aluminum Front Plates with quarter turn brackets
- MEDV Air Vents
- Backpanel stand-offs in four different lengths

| Hinged with Padlockable Latch(es) Pt. # | Outside Dimension | | | Inside Dimension | | | Weight | Mounting Plates* | | | Dimensions | Front Panels | |
|---|-------------------|------------------|-----------------|------------------|------------------|-----------------|--------------------|------------------|---------|--------------|------------------------------|--------------|-----------|
| | H | W | D | A | B | C | | Aluminum | Steel | Non-Metallic | | Plain | Hinged |
| VJ606HWPL1 (mm) | 7.31 (185.8) | 7.31 (185.8) | 4.96 (126.0) | 6.00 (152.4) | 6.00 (152.4) | 4.21 (107.0) | 2.8 lb 1.27 kg | MP606A | MP606S | MP606N | 4.88 x 4.88 (124 x 124) | VFP606A | VFPH606A |
| VJ806HWPL1 (mm) | 9.31 (236.6) | 7.31 (185.8) | 4.96 (126.0) | 8.00 (203.2) | 6.00 (152.4) | 4.21 (107.0) | 3.8 lb 1.72 kg | MP806A | MP806S | MP806N | 6.75 x 4.88 (171 x 124) | VFP806A | VFPH806A |
| VJ1008HWPL1 (mm) | 11.31 (287.4) | 9.31 (236.6) | 5.43 (138.0) | 10.00 (254.0) | 8.00 (203.2) | 4.69 (119.0) | 4.8 lb 2.17 kg | MP1008A | MP1008S | MP1008N | 8.75 x 6.88 (222 x 175) | VFP1008A | VFPH1008A |
| VJ1210HWPL2 (mm) | 13.31 (338.2) | 11.31 (287.4) | 5.59 (142.0) | 12.00 (304.8) | 10.00 (254.0) | 4.84 (123.0) | 6.3 lb 2.85 kg | MP1210A | MP1210S | MP1210N | 10.50 x 8.88 (267 x 226) | VFP1210A | VFPH1210A |
| VJ1412HWPL2 (mm) | 15.32 (389) | 13.30 (338) | 6.70 (170.0) | 14.00 (355.6) | 12.00 (304.8) | 5.82 (147.8) | 8.6 lb 3.90 kg | MP1412A | MP1412S | MP1412N | 12.75 x 10.88 (324 x 276) | VFP1412A | VFPH1412A |
| VJ1614HWPL2 (mm) | 17.31 (439.8) | 15.31 (389) | 6.69 (170.0) | 16.00 (406.4) | 14.00 (355.6) | 5.82 (147.8) | 10.6 lb 4.80 kg | MP1614A | MP1614S | MP1614N | 14.75 x 12.88 (375 x 327) | VFP1614A | VFPH1614A |
| VJ1816HWPL2 (mm) | 19.31 (490.6) | 17.31 (439.8) | 9.57 (243.0) | 18.00 (457.2) | 16.00 (406.4) | 8.69 (220.8) | 14.0 lb 6.34 kg | MP1816A | MP1816S | MP1816N | 16.75 x 14.88 (426 x 378) | VFP1816A | VFPH1816A |

* A aluminum back panel (.080" material thickness)
 S painted steel back panel (.060" material thickness)
 N non-metallic back panel (.187" material thickness)



| Hinged with Padlockable Latch(es) Pt. # | Dimensions | | | | | | | | | | | | Latch Spacing |
|---|----------------|-----------------|----------------|------------------|------------------|---------------|---------------|------------------|------------------|------------------|---------------|-----------------|----------------|
| | E | F | I | J | K | L | M | N | O | P | Q | R | |
| VJ606HWPL1 (mm) | 1.38 (35.0) | 3.76 (95.5) | 0.37 (9.5) | 6.75 (171.5) | 4.00 (101.6) | 0.31 (8.0) | 0.12 (3.0) | 7.50 (190.5) | 4.25 (108.0) | 4.25 (108.0) | 0.08 (2.0) | 4.67 (118.5) | Ctr - |
| VJ806HWPL1 (mm) | 1.38 (35.0) | 3.76 (95.5) | 0.37 (9.5) | 8.75 (222.2) | 4.00 (101.6) | 0.31 (8.0) | 0.12 (3.0) | 9.50 (241.2) | 4.25 (108.0) | 6.26 (159.0) | 0.08 (2.0) | 4.67 (118.5) | Ctr - |
| VJ1008HWPL1 (mm) | 1.62 (41.2) | 4.01 (101.8) | 0.37 (9.5) | 10.75 (273.0) | 6.00 (152.5) | 0.31 (8.0) | 0.12 (3.0) | 11.50 (292.0) | 6.24 (158.5) | 8.25 (209.5) | 0.08 (2.0) | 5.14 (130.5) | Ctr - |
| VJ1210HWPL2 (mm) | 1.62 (41.2) | 4.13 (105.0) | 0.37 (9.5) | 12.76 (324.0) | 8.00 (203.2) | 0.31 (8.0) | 0.12 (3.0) | 13.50 (343.0) | 8.25 (209.5) | 10.26 (260.5) | 0.08 (2.0) | 5.30 (134.5) | 7.09 (180) |
| VJ1412HWPL2 (mm) | 1.75 (44.4) | 4.92 (125.0) | 0.50 (12.7) | 14.75 (374.6) | 10.00 (254.0) | 0.31 (8.0) | 0.12 (3.0) | 15.51 (394.0) | 10.24 (260.0) | 12.26 (311.5) | 0.08 (2.0) | 6.40 (162.5) | 9.56 (243) |
| VJ1614HWPL2 (mm) | 1.75 (44.4) | 5.01 (127.3) | 0.50 (12.7) | 16.75 (425.5) | 12.01 (305.0) | 0.31 (8.0) | 0.12 (3.0) | 17.52 (445.0) | 12.24 (311.0) | 14.25 (362.0) | 0.08 (2.0) | 6.40 (162.5) | 9.56 (243) |
| VJ1816HWPL2 (mm) | 1.75 (44.4) | 7.89 (200.3) | 0.50 (12.7) | 18.75 (476.2) | 12.01 (305.0) | 0.31 (8.0) | 0.12 (3.0) | 19.49 (495.0) | 14.25 (362.0) | 16.26 (413.0) | 0.08 (2.0) | 9.27 (235.5) | 11.25 (289) |

FRP NEMA rating 3, 3R, 4, 4X, 12 & 13 VJ Series with Stainless Steel Twist Latch(s) and a Stainless Steel Piano Hinge



FEATURES

- All VJ Series enclosures are designed to meet the Joint Industrial Council (JIC) standards in the United States.
- VJ's are made from corrosion resistant hot compression molded fiberglass reinforced polyester and do not contain halogens.
- The VJ Series "HWLL" enclosures include one or two stainless steel twist latches to secure one side of the cover to the base and a stainless steel piano hinge that secures the other. Rivets connect the hinge to the cover and self-tapping screws connect the screws to the base.
- Seven sizes are available from 6" x 6" to 18" x 16"
- Vynckier's VJ enclosures are capable of withstanding continuous temperatures from -58°F (-50°C) up to 302°F (150°C).
- VJ enclosures provide protection for equipment and operators from indirect electrical contact.

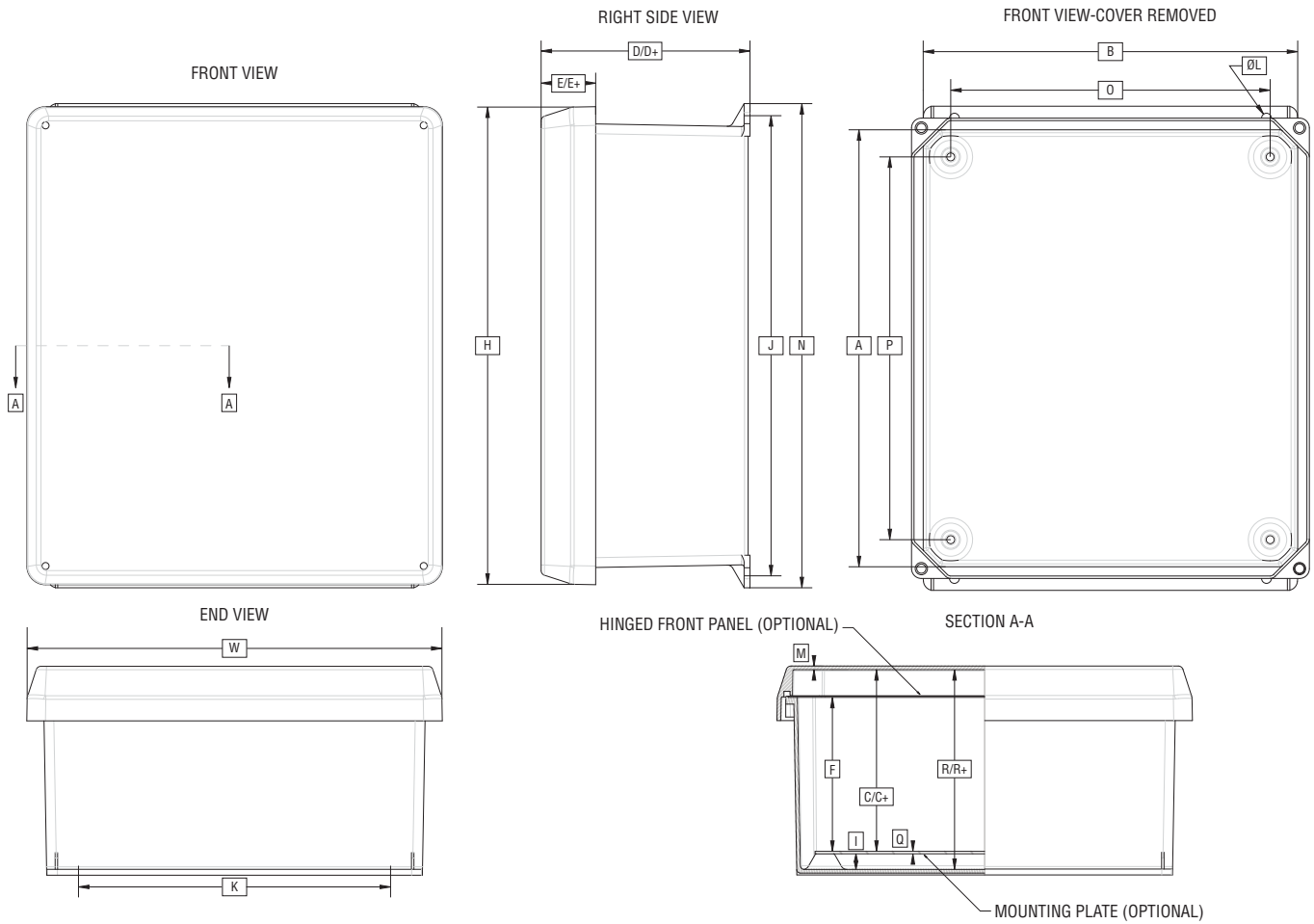
- All VJ enclosures are UL listed per UL Standard 508 for NEMA 3, 3R, 4, 4X, 12 & 13; CSA Certified per Standard C22.2-0, 0.4, 0.7, 0.6, 94 Type 3, 3R, 4, 4X, 12 & 13.

OPTIONAL ACCESSORIES

- Molded Instrument Windows
- Aluminum, Painted Steel or non-metallic Mounting Plates
- Aluminum Hinged Front Plates
- Aluminum Front Plates with quarter turn brackets
- MEDV Air Vents
- Backpanel stand-offs in four different lengths

| Part Numbers Screw Cover | Outside Dimension | | | Inside Dimension | | | Weight | Mounting Plates* | | | Dimensions | Front Panels | |
|--------------------------------|----------------------|------------------|-----------------|---------------------|------------------|-----------------|--------------------|------------------|---------|--------------|------------------------------|--------------|-----------|
| | H | W | D | A | B | C | | Aluminum | Steel | Non-Metallic | | Plain | Hinged |
| VJ606HWLL1 (mm) | 7.31 (185.8) | 7.31 (185.8) | 4.96 (126.0) | 6.00 (152.4) | 6.00 (152.4) | 4.21 (107.0) | 2.8 lb 1.27 kg | MP606A | MP606S | MP606N | 4.88 x 4.88 (124 x 124) | VFP606A | VFPH606A |
| VJ806HWLL1 (mm) | 9.31 (236.6) | 7.31 (185.8) | 4.96 (126.0) | 8.00 (203.2) | 6.00 (152.4) | 4.21 (107.0) | 3.8 lb 1.72 kg | MP806A | MP806S | MP806N | 6.75 x 4.88 (171 x 124) | VFP806A | VFPH806A |
| VJ1008HWLL1 (mm) | 11.31 (287.4) | 9.31 (236.6) | 5.43 (138.0) | 10.00 (254.0) | 8.00 (203.2) | 4.69 (119.0) | 4.8 lb 2.17 kg | MP1008A | MP1008S | MP1008N | 8.75 x 6.88 (222 x 175) | VFP1008A | VFPH1008A |
| VJ1210HWLL2 (mm) | 13.31 (338.2) | 11.31 (287.4) | 5.59 (142.0) | 12.00 (304.8) | 10.00 (254.0) | 4.84 (123.0) | 6.3 lb 2.85 kg | MP1210A | MP1210S | MP1210N | 10.50 x 8.88 (267 x 226) | VFP1210A | VFPH1210A |
| VJ1412HWLL2 (mm) | 15.32 (389) | 13.30 (338) | 6.70 (170.0) | 14.00 (355.6) | 12.00 (304.8) | 5.82 (147.8) | 8.6 lb 3.90 kg | MP1412A | MP1412S | MP1412N | 12.75 x 10.88 (324 x 276) | VFP1412A | VFPH1412A |
| VJ1614HWLL2 (mm) | 17.31 (439.8) | 15.31 (389) | 6.69 (170.0) | 16.00 (406.4) | 14.00 (355.6) | 5.82 (147.8) | 10.6 lb 4.80 kg | MP1614A | MP1614S | MP1614N | 14.75 x 12.88 (375 x 327) | VFP1614A | VFPH1614A |
| VJ1816HWLL2 (mm) | 19.31 (490.6) | 17.31 (439.8) | 9.57 (243.0) | 18.00 (457.2) | 16.00 (406.4) | 8.69 (220.8) | 14.0 lb 6.34 kg | MP1816A | MP1816S | MP1816N | 16.75 x 14.88 (426 x 378) | VFP1816A | VFPH1816A |

* A aluminum back panel (.080" material thickness)
 S painted steel back panel (.060" material thickness)
 N non-metallic back panel (.187" material thickness)



| Part Numbers Hinged with Twist Latch(es) | Dimensions | | | | | | | | | | | | Latch Spacing |
|--|----------------|-----------------|----------------|------------------|------------------|---------------|---------------|------------------|------------------|------------------|---------------|-----------------|------------------|
| | E | F | I | J | K | L | M | N | O | P | Q | R | |
| VJ606HWLL1 (mm) | 1.38 (35.0) | 3.76 (95.5) | 0.37 (9.5) | 6.75 (171.5) | 4.00 (101.6) | 0.31 (8.0) | 0.12 (3.0) | 7.50 (190.5) | 4.25 (108.0) | 4.25 (108.0) | 0.08 (2.0) | 4.67 (118.5) | Ctr - |
| VJ806HWLL1 (mm) | 1.38 (35.0) | 3.76 (95.5) | 0.37 (9.5) | 8.75 (222.2) | 4.00 (101.6) | 0.31 (8.0) | 0.12 (3.0) | 9.50 (241.2) | 4.25 (108.0) | 6.26 (159.0) | 0.08 (2.0) | 4.67 (118.5) | Ctr - |
| VJ1008HWLL1 (mm) | 1.62 (41.2) | 4.01 (101.8) | 0.37 (9.5) | 10.75 (273.0) | 6.00 (152.5) | 0.31 (8.0) | 0.12 (3.0) | 11.50 (292.0) | 6.24 (158.5) | 8.25 (209.5) | 0.08 (2.0) | 5.14 (130.5) | Ctr - |
| VJ1210HWLL2 (mm) | 1.62 (41.2) | 4.13 (105.0) | 0.37 (9.5) | 12.76 (324.0) | 8.00 (203.2) | 0.31 (8.0) | 0.12 (3.0) | 13.50 (343.0) | 8.25 (209.5) | 10.26 (260.5) | 0.08 (2.0) | 5.30 (134.5) | 7.09 (180) |
| VJ1412HWLL2 (mm) | 1.75 (44.4) | 4.92 (125.0) | 0.50 (12.7) | 14.75 (374.6) | 10.00 (254.0) | 0.31 (8.0) | 0.12 (3.0) | 15.51 (394.0) | 10.24 (260.0) | 12.26 (311.5) | 0.08 (2.0) | 6.40 (162.5) | 9.56 (243) |
| VJ1614HWLL2 (mm) | 1.75 (44.4) | 5.01 (127.3) | 0.50 (12.7) | 16.75 (425.5) | 12.01 (305.0) | 0.31 (8.0) | 0.12 (3.0) | 17.52 (445.0) | 12.24 (311.0) | 14.25 (362.0) | 0.08 (2.0) | 6.40 (162.5) | 9.56 (243) |
| VJ1816HWLL2 (mm) | 1.75 (44.4) | 7.89 (200.3) | 0.50 (12.7) | 18.75 (476.2) | 12.01 (305.0) | 0.31 (8.0) | 0.12 (3.0) | 19.49 (495.0) | 14.25 (362.0) | 16.26 (413.0) | 0.08 (2.0) | 9.27 (235.5) | 11.25 (289) |

FRP NEMA rating 3, 3R, 4, 4X, 12 & 13 VJ Series with 2 Captive Stainless Steel Cover Screws and 2 Non-metallic Hinges



FEATURES

- All VJ Series enclosures are designed to meet the Joint Industrial Council (JIC) standards in the United States.
- VJ's are made from corrosion resistant hot compression molded fiberglass reinforced polyester and do not contain halogens.
- The VJ Series "NHW" enclosures include two stainless steel captive screws and two non-metallic hinges that secure the cover to the base. Two threaded brass inserts contained in the base secure the cover screws. Self tapping screws connect the hinges to the cover and base.
- Seven sizes are available from 6" x 6" to 18" x 16"
- Vynckier's VJ enclosures are capable of withstanding continuous temperatures from -58°F (-50°C) up to 302°F (150°C).
- VJ enclosures provide protection for equipment and operators from indirect electrical contact.

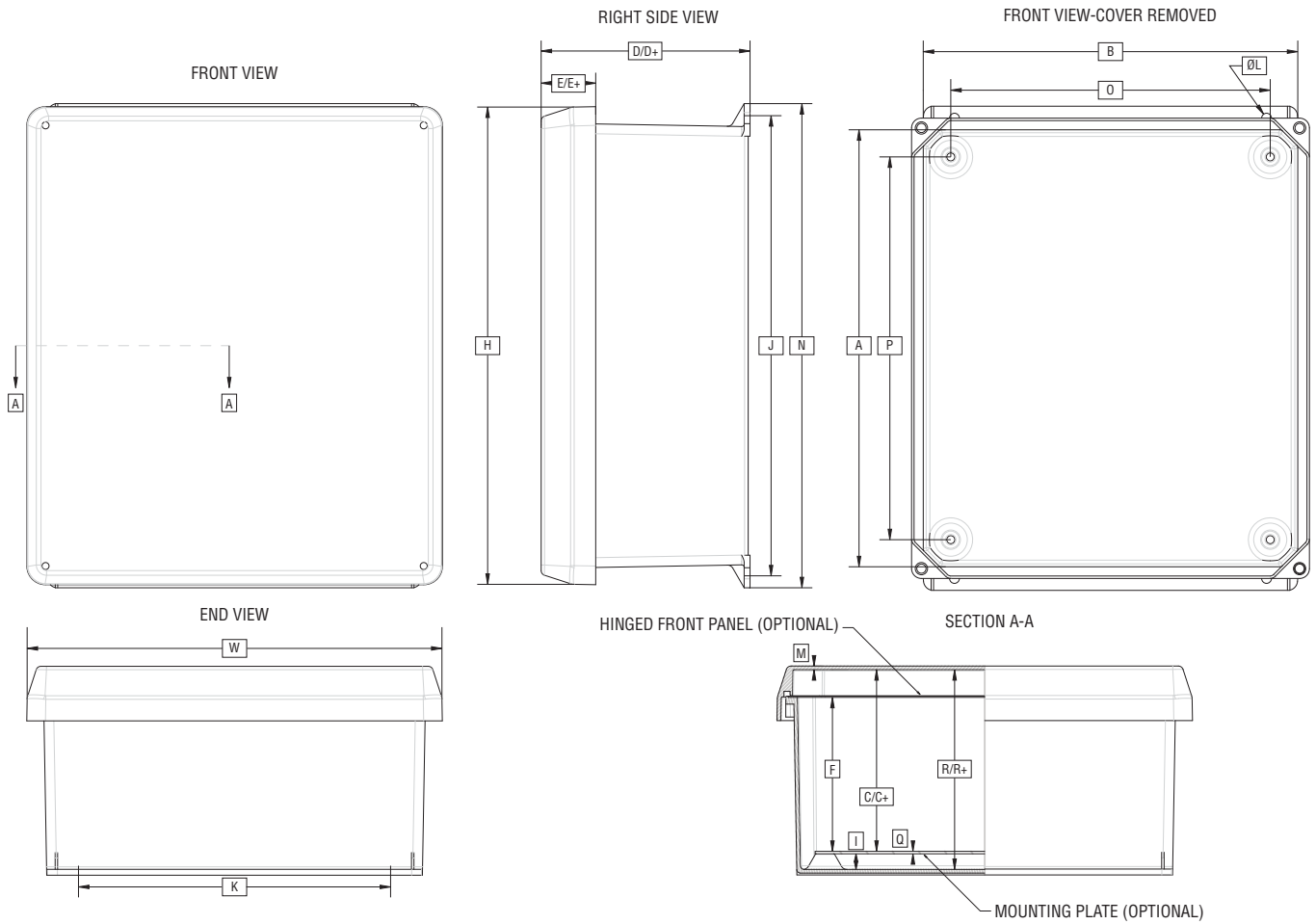
- All VJ enclosures are UL listed per UL Standard 508 for NEMA 3, 3R, 4, 4X, 12 & 13; CSA Certified per Standard C22.2-0, 0.4, 0.7, 0.6, 94 Type 3, 3R, 4, 4X, 12 & 13.

OPTIONAL ACCESSORIES

- Molded Instrument Windows
- Aluminum, Painted Steel or non-metallic Mounting Plates
- Aluminum Hinged Front Plates
- Aluminum Front Plates with quarter turn brackets
- MEDV Air Vents
- Backpanel stand-offs in four different lengths

| Part Numbers SS Screws & N-M Hinges | Outside Dimension | | | Inside Dimension | | | Weight | Mounting Plates* | | | Front Panels | | |
|---|-------------------|------------------|-----------------|------------------|------------------|-----------------|--------------------|------------------|---------|--------------|------------------------------|----------|-----------|
| | H | W | D | A | B | C | | Aluminum | Steel | Non-Metallic | Dimensions | Plain | Hinged |
| VJ606NHW (mm) | 7.31 (185.8) | 7.31 (185.8) | 4.96 (126.0) | 6.00 (152.4) | 6.00 (152.4) | 4.21 (107.0) | 2.8 lb 1.27 kg | MP606A | MP606S | MP606N | 4.88 x 4.88 (124 x 124) | VFP606A | VFPH606A |
| VJ806NHW (mm) | 9.31 (236.6) | 7.31 (185.8) | 4.96 (126.0) | 8.00 (203.2) | 6.00 (152.4) | 4.21 (107.0) | 3.8 lb 1.72 kg | MP806A | MP806S | MP806N | 6.75 x 4.88 (171 x 124) | VFP806A | VFPH806A |
| VJ1008NHW (mm) | 11.31 (287.4) | 9.31 (236.6) | 5.43 (138.0) | 10.00 (254.0) | 8.00 (203.2) | 4.69 (119.0) | 4.8 lb 2.17 kg | MP1008A | MP1008S | MP1008N | 8.75 x 6.88 (222 x 175) | VFP1008A | VFPH1008A |
| VJ1210NHW (mm) | 13.31 (338.2) | 11.31 (287.4) | 5.59 (142.0) | 12.00 (304.8) | 10.00 (254.0) | 4.84 (123.0) | 6.3 lb 2.85 kg | MP1210A | MP1210S | MP1210N | 10.50 x 8.88 (267 x 226) | VFP1210A | VFPH1210A |
| VJ1412NHW (mm) | 15.32 (389) | 13.30 (338) | 6.70 (170.0) | 14.00 (355.6) | 12.00 (304.8) | 5.82 (147.8) | 8.6 lb 3.90 kg | MP1412A | MP1412S | MP1412N | 12.75 x 10.88 (324 x 276) | VFP1412A | VFPH1412A |
| VJ1614NHW (mm) | 17.31 (439.8) | 15.31 (389) | 6.69 (170.0) | 16.00 (406.4) | 14.00 (355.6) | 5.82 (147.8) | 10.6 lb 4.80 kg | MP1614A | MP1614S | MP1614N | 14.75 x 12.88 (375 x 327) | VFP1614A | VFPH1614A |
| VJ1816NHW (mm) | 19.31 (490.6) | 17.31 (439.8) | 9.57 (243.0) | 18.00 (457.2) | 16.00 (406.4) | 8.69 (220.8) | 14.0 lb 6.34 kg | MP1816A | MP1816S | MP1816N | 16.75 x 14.88 (426 x 378) | VFP1816A | VFPH1816A |

- * A aluminum back panel (.080" material thickness)
 S painted steel back panel (.060" material thickness)
 N non-metallic back panel (.187" material thickness)



| Part Numbers SS Screws & N-M Hinges | Dimensions | | | | | | | | | | | |
|---|----------------|-----------------|----------------|------------------|------------------|---------------|---------------|------------------|------------------|------------------|---------------|-----------------|
| | E | F | I | J | K | L | M | N | O | P | Q | R |
| VJ606NHW (mm) | 1.38 (35.0) | 3.76 (95.5) | 0.37 (9.5) | 6.75 (171.5) | 4.00 (101.6) | 0.31 (8.0) | 0.12 (3.0) | 7.50 (190.5) | 4.25 (108.0) | 4.25 (108.0) | 0.08 (2.0) | 4.67 (118.5) |
| VJ806NHW (mm) | 1.38 (35.0) | 3.76 (95.5) | 0.37 (9.5) | 8.75 (222.2) | 4.00 (101.6) | 0.31 (8.0) | 0.12 (3.0) | 9.50 (241.2) | 4.25 (108.0) | 6.26 (159.0) | 0.08 (2.0) | 4.67 (118.5) |
| VJ1008NHW (mm) | 1.62 (41.2) | 4.01 (101.8) | 0.37 (9.5) | 10.75 (273.0) | 6.00 (152.5) | 0.31 (8.0) | 0.12 (3.0) | 11.50 (292.0) | 6.24 (158.5) | 8.25 (209.5) | 0.08 (2.0) | 5.14 (130.5) |
| VJ1210NHW (mm) | 1.62 (41.2) | 4.13 (105.0) | 0.37 (9.5) | 12.76 (324.0) | 8.00 (203.2) | 0.31 (8.0) | 0.12 (3.0) | 13.50 (343.0) | 8.25 (209.5) | 10.26 (260.5) | 0.08 (2.0) | 5.30 (134.5) |
| VJ1412NHW (mm) | 1.75 (44.4) | 4.92 (125.0) | 0.50 (12.7) | 14.75 (374.6) | 10.00 (254.0) | 0.31 (8.0) | 0.12 (3.0) | 15.51 (394.0) | 10.24 (260.0) | 12.26 (311.5) | 0.08 (2.0) | 6.40 (162.5) |
| VJ1614NHW (mm) | 1.75 (44.4) | 5.01 (127.3) | 0.50 (12.7) | 16.75 (425.5) | 12.01 (305.0) | 0.31 (8.0) | 0.12 (3.0) | 17.52 (445.0) | 12.24 (311.0) | 14.25 (362.0) | 0.08 (2.0) | 6.40 (162.5) |
| VJ1816NHW (mm) | 1.75 (44.4) | 7.89 (200.3) | 0.50 (12.7) | 18.75 (476.2) | 12.01 (305.0) | 0.31 (8.0) | 0.12 (3.0) | 19.49 (495.0) | 14.25 (362.0) | 16.26 (413.0) | 0.08 (2.0) | 9.27 (235.5) |

FRP NEMA rating 3, 3R, 4, 4X, 12 & 13 VJ Series with Stainless Steel Padlockable Latch(es) and 2 Non-metallic Hinges



FEATURES

- All VJ Series enclosures are designed to meet the Joint Industrial Council (JIC) standards in the United States.
- VJ's are made from corrosion resistant hot compression molded fiberglass reinforced polyester and do not contain halogens.
- The VJ Series "NHWPL" enclosures include one or two stainless steel padlockable latches to secure one side of the cover to the base with two non-metallic hinges that secures the other. Self-tapping screws connect the hinges to the cover and base.
- Seven sizes are available from 6" x 6" to 18" x 16"
- Vynckier's VJ enclosures are capable of withstanding continuous temperatures from -58°F (-50°C) up to 302°F (150°C).
- VJ enclosures provide protection for equipment and operators from indirect electrical contact.
- All VJ enclosures are UL listed per UL

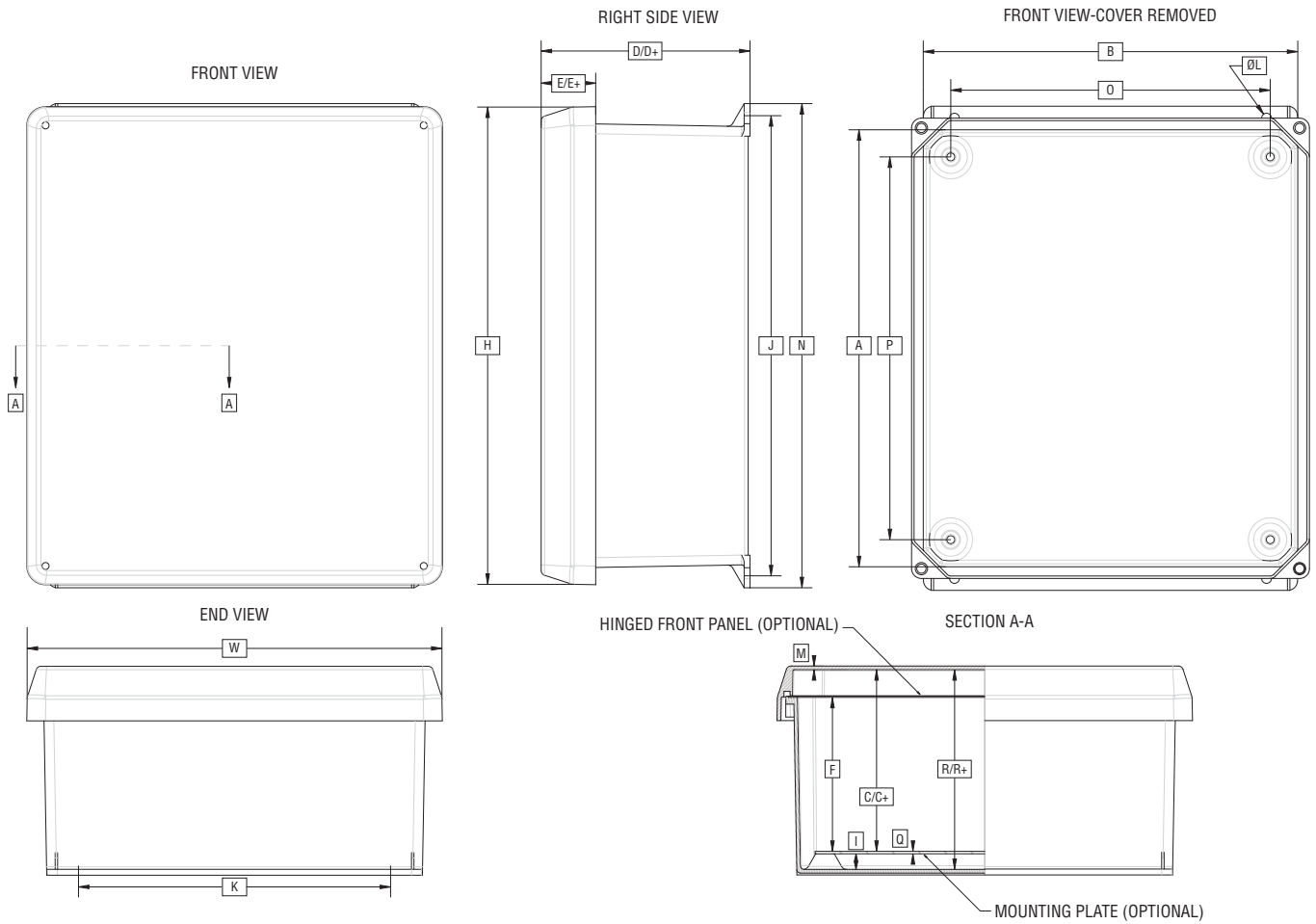
Standard 508 for NEMA 3, 3R, 4, 4X, 12 & 13; CSA Certified per Standard C22.2-0, 0.4, 0.7, 0.6, 94 Type 3, 3R, 4, 4X, 12 & 13.

OPTIONAL ACCESSORIES

- Molded Instrument Windows
- Aluminum, Painted Steel or non-metallic Mounting Plates
- Aluminum Hinged Front Plates
- Aluminum Front Plates with quarter turn brackets
- MEDV Air Vents
- Backpanel stand-offs in four different lengths

| N-M Hinges Padlockable Latch(es) Pt. # | Outside Dimension | | | Inside Dimension | | | Weight | Mounting Plates* | | | | Front Panels | |
|--|-------------------|------------------|-----------------|------------------|------------------|-----------------|--------------------|------------------|---------|--------------|------------------------------|--------------|-----------|
| | H | W | D | A | B | C | | Aluminum | Steel | Non-Metallic | Dimensions | Plain | Hinged |
| VJ606NHWPL1 (mm) | 7.31 (185.8) | 7.31 (185.8) | 4.96 (126.0) | 6.00 (152.4) | 6.00 (152.4) | 4.21 (107.0) | 2.8 lb 1.27 kg | MP606A | MP606S | MP606N | 4.88 x 4.88 (124 x 124) | VFP606A | VFPH606A |
| VJ806NHWPL1 (mm) | 9.31 (236.6) | 7.31 (185.8) | 4.96 (126.0) | 8.00 (203.2) | 6.00 (152.4) | 4.21 (107.0) | 3.8 lb 1.72 kg | MP806A | MP806S | MP806N | 6.75 x 4.88 (171 x 124) | VFP806A | VFPH806A |
| VJ1008NHWPL1 (mm) | 11.31 (287.4) | 9.31 (236.6) | 5.43 (138.0) | 10.00 (254.0) | 8.00 (203.2) | 4.69 (119.0) | 4.8 lb 2.17 kg | MP1008A | MP1008S | MP1008N | 8.75 x 6.88 (222 x 175) | VFP1008A | VFPH1008A |
| VJ1210NHWPL2 (mm) | 13.31 (338.2) | 11.31 (287.4) | 5.59 (142.0) | 12.00 (304.8) | 10.00 (254.0) | 4.84 (123.0) | 6.3 lb 2.85 kg | MP1210A | MP1210S | MP1210N | 10.50 x 8.88 (267 x 226) | VFP1210A | VFPH1210A |
| VJ1412NHWPL2 (mm) | 15.32 (389) | 13.30 (338) | 6.70 (170.0) | 14.00 (355.6) | 12.00 (304.8) | 5.82 (147.8) | 8.6 lb 3.90 kg | MP1412A | MP1412S | MP1412N | 12.75 x 10.88 (324 x 276) | VFP1412A | VFPH1412A |
| VJ1614NHWPL2 (mm) | 17.31 (439.8) | 15.31 (389) | 6.69 (170.0) | 16.00 (406.4) | 14.00 (355.6) | 5.82 (147.8) | 10.6 lb 4.80 kg | MP1614A | MP1614S | MP1614N | 14.75 x 12.88 (375 x 327) | VFP1614A | VFPH1614A |
| VJ1816NHWPL2 (mm) | 19.31 (490.6) | 17.31 (439.8) | 9.57 (243.0) | 18.00 (457.2) | 16.00 (406.4) | 8.69 (220.8) | 14.0 lb 6.34 kg | MP1816A | MP1816S | MP1816N | 16.75 x 14.88 (426 x 378) | VFP1816A | VFPH1816A |

- * A aluminum back panel (.080" material thickness)
 S painted steel back panel (.060" material thickness)
 N non-metallic back panel (.187" material thickness)



| N-M Hinges Padlockable Latch(es) Pt. # | Dimensions | | | | | | | | | | | | Latch Spacing |
|--|----------------|-----------------|----------------|------------------|------------------|---------------|---------------|------------------|------------------|------------------|---------------|-----------------|------------------|
| | E | F | I | J | K | L | M | N | O | P | Q | R | |
| VJ606NHWPL1 (mm) | 1.38 (35.0) | 3.76 (95.5) | 0.37 (9.5) | 6.75 (171.5) | 4.00 (101.6) | 0.31 (8.0) | 0.12 (3.0) | 7.50 (190.5) | 4.25 (108.0) | 4.25 (108.0) | 0.08 (2.0) | 4.67 (118.5) | Ctr - |
| VJ806NHWPL1 (mm) | 1.38 (35.0) | 3.76 (95.5) | 0.37 (9.5) | 8.75 (222.2) | 4.00 (101.6) | 0.31 (8.0) | 0.12 (3.0) | 9.50 (241.2) | 4.25 (108.0) | 6.26 (159.0) | 0.08 (2.0) | 4.67 (118.5) | Ctr - |
| VJ1008NHWPL1 (mm) | 1.62 (41.2) | 4.01 (101.8) | 0.37 (9.5) | 10.75 (273.0) | 6.00 (152.5) | 0.31 (8.0) | 0.12 (3.0) | 11.50 (292.0) | 6.24 (158.5) | 8.25 (209.5) | 0.08 (2.0) | 5.14 (130.5) | Ctr - |
| VJ1210NHWPL2 (mm) | 1.62 (41.2) | 4.13 (105.0) | 0.37 (9.5) | 12.76 (324.0) | 8.00 (203.2) | 0.31 (8.0) | 0.12 (3.0) | 13.50 (343.0) | 8.25 (209.5) | 10.26 (260.5) | 0.08 (2.0) | 5.30 (134.5) | 7.09 (180) |
| VJ1412NHWPL2 (mm) | 1.75 (44.4) | 4.92 (125.0) | 0.50 (12.7) | 14.75 (374.6) | 10.00 (254.0) | 0.31 (8.0) | 0.12 (3.0) | 15.51 (394.0) | 10.24 (260.0) | 12.26 (311.5) | 0.08 (2.0) | 6.40 (162.5) | 9.56 (243) |
| VJ1614NHWPL2 (mm) | 1.75 (44.4) | 5.01 (127.3) | 0.50 (12.7) | 16.75 (425.5) | 12.01 (305.0) | 0.31 (8.0) | 0.12 (3.0) | 17.52 (445.0) | 12.24 (311.0) | 14.25 (362.0) | 0.08 (2.0) | 6.40 (162.5) | 9.56 (243) |
| VJ1816NHWPL2 (mm) | 1.75 (44.4) | 7.89 (200.3) | 0.50 (12.7) | 18.75 (476.2) | 12.01 (305.0) | 0.31 (8.0) | 0.12 (3.0) | 19.49 (495.0) | 14.25 (362.0) | 16.26 (413.0) | 0.08 (2.0) | 9.27 (235.5) | 11.25 (289) |

FRP NEMA rating 3, 3R, 4, 4X, 12 & 13 VJ Series with Stainless Steel Twist Latch(es) and 2 Non-metallic Hinges



FEATURES

- All VJ Series enclosures are designed to meet the Joint Industrial Council (JIC) standards in the United States.
- VJ's are made from corrosion resistant hot compression molded fiberglass reinforced polyester and do not contain halogens.
- The VJ Series "NHWLL" enclosures include one or two stainless steel twist latches to secure one side of the cover to the base with two non-metallic hinges that secures the other. Self-tapping screws connect the hinges to the cover and base.
- Seven sizes are available from 6" x 6" to 18" x 16"
- Vynckier's VJ enclosures are capable of withstanding continuous temperatures from -58°F (-50°C) up to 302°F (150°C).
- VJ enclosures provide protection for equipment and operators from indirect electrical contact.
- All VJ enclosures are UL listed per UL

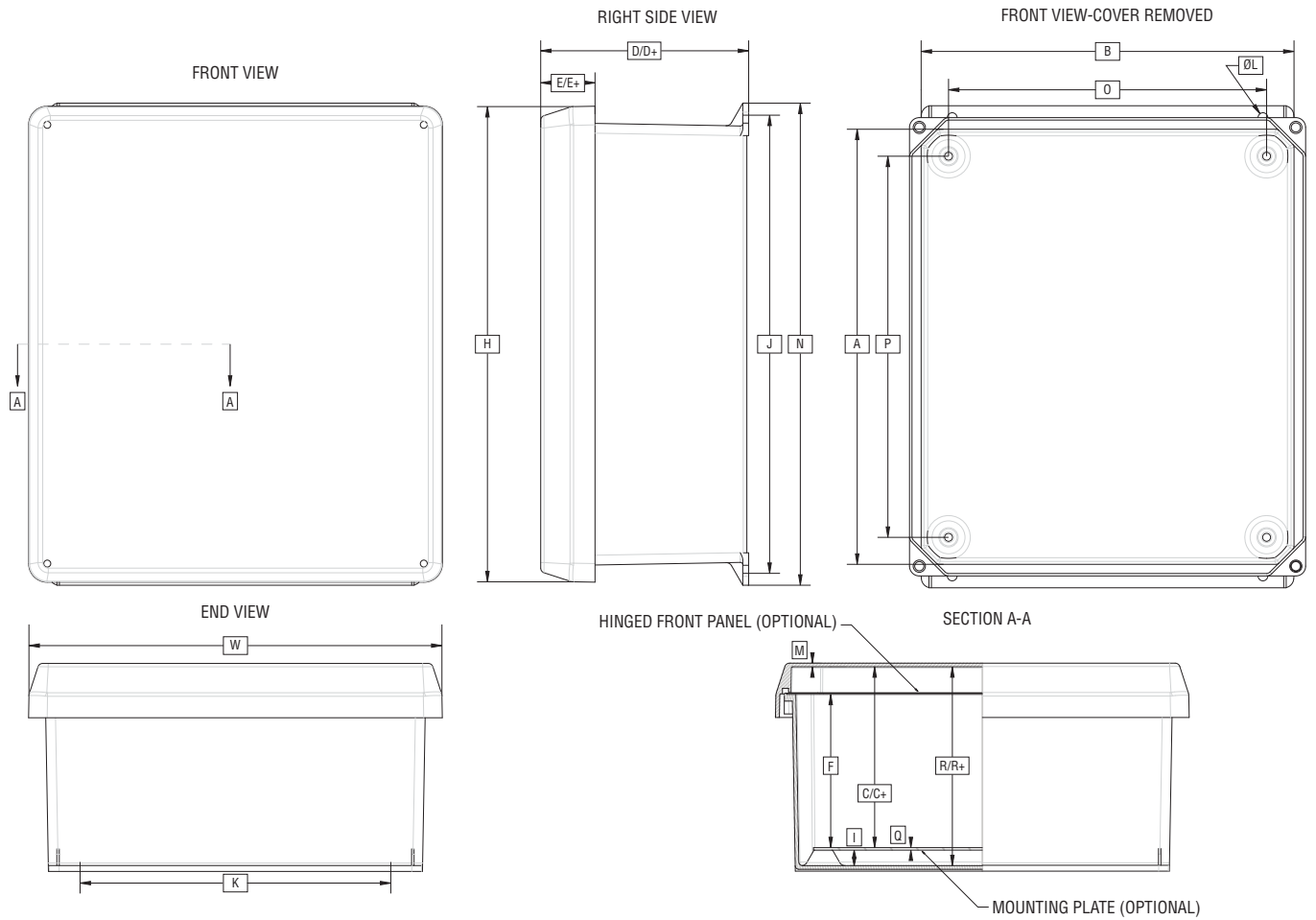
Standard 508 for NEMA 3, 3R, 4, 4X, 12 & 13; CSA Certified per Standard C22.2-0, 0.4, 0.7, 0.6, 94 Type 3, 3R, 4, 4X, 12 & 13.

OPTIONAL ACCESSORIES

- Molded Instrument Windows
- Aluminum, Painted Steel or non-metallic Mounting Plates
- Aluminum Hinged Front Plates
- Aluminum Front Plates with quarter turn brackets
- MEDV Air Vents
- Backpanel stand-offs in four different lengths

| Part Numbers N-M Hinges Twist Latch(es) | Outside Dimension | | | Inside Dimension | | | Weight | Mounting Plates* | | | | Front Panels | |
|---|-------------------|------------------|-----------------|------------------|------------------|-----------------|--------------------|------------------|---------|--------------|------------------------------|--------------|-----------|
| | H | W | D | A | B | C | | Aluminum | Steel | Non-Metallic | Dimensions | Plain | Hinged |
| VJ606NHWLL1 (mm) | 7.31 (185.8) | 7.31 (185.8) | 4.96 (126.0) | 6.00 (152.4) | 6.00 (152.4) | 4.21 (107.0) | 2.8 lb 1.27 kg | MP606A | MP606S | MP606N | 4.88 x 4.88 (124 x 124) | VFP606A | VFPH606A |
| VJ806NHWLL1 (mm) | 9.31 (236.6) | 7.31 (185.8) | 4.96 (126.0) | 8.00 (203.2) | 6.00 (152.4) | 4.21 (107.0) | 3.8 lb 1.72 kg | MP806A | MP806S | MP806N | 6.75 x 4.88 (171 x 124) | VFP806A | VFPH806A |
| VJ1008NHWLL1 (mm) | 11.31 (287.4) | 9.31 (236.6) | 5.43 (138.0) | 10.00 (254.0) | 8.00 (203.2) | 4.69 (119.0) | 4.8 lb 2.17 kg | MP1008A | MP1008S | MP1008N | 8.75 x 6.88 (222 x 175) | VFP1008A | VFPH1008A |
| VJ1210NHWLL2 (mm) | 13.31 (338.2) | 11.31 (287.4) | 5.59 (142.0) | 12.00 (304.8) | 10.00 (254.0) | 4.84 (123.0) | 6.3 lb 2.85 kg | MP1210A | MP1210S | MP1210N | 10.50 x 8.88 (267 x 226) | VFP1210A | VFPH1210A |
| VJ1412NHWLL2 (mm) | 15.32 (389) | 13.30 (338) | 6.70 (170.0) | 14.00 (355.6) | 12.00 (304.8) | 5.82 (147.8) | 8.6 lb 3.90 kg | MP1412A | MP1412S | MP1412N | 12.75 x 10.88 (324 x 276) | VFP1412A | VFPH1412A |
| VJ1614NHWLL2 (mm) | 17.31 (439.8) | 15.31 (389) | 6.69 (170.0) | 16.00 (406.4) | 14.00 (355.6) | 5.82 (147.8) | 10.6 lb 4.80 kg | MP1614A | MP1614S | MP1614N | 14.75 x 12.88 (375 x 327) | VFP1614A | VFPH1614A |
| VJ1816NHWLL2 (mm) | 19.31 (490.6) | 17.31 (439.8) | 9.57 (243.0) | 18.00 (457.2) | 16.00 (406.4) | 8.69 (220.8) | 14.0 lb 6.34 kg | MP1816A | MP1816S | MP1816N | 16.75 x 14.88 (426 x 378) | VFP1816A | VFPH1816A |

* A aluminum back panel (.080" material thickness)
 S painted steel back panel (.060" material thickness)
 N non-metallic back panel (.187" material thickness)



| Part Numbers N-M Hinges Twist Latch(es) | Dimensions | | | | | | | | | | | | Latch Spacing |
|---|----------------|-----------------|----------------|------------------|------------------|---------------|---------------|------------------|------------------|------------------|---------------|-----------------|------------------|
| | E | F | I | J | K | L | M | N | O | P | Q | R | |
| VJ606NHWLL1 (mm) | 1.38 (35.0) | 3.76 (95.5) | 0.37 (9.5) | 6.75 (171.5) | 4.00 (101.6) | 0.31 (8.0) | 0.12 (3.0) | 7.50 (190.5) | 4.25 (108.0) | 4.25 (108.0) | 0.08 (2.0) | 4.67 (118.5) | Ctr - |
| VJ806NHWLL1 (mm) | 1.38 (35.0) | 3.76 (95.5) | 0.37 (9.5) | 8.75 (222.2) | 4.00 (101.6) | 0.31 (8.0) | 0.12 (3.0) | 9.50 (241.2) | 4.25 (108.0) | 6.26 (159.0) | 0.08 (2.0) | 4.67 (118.5) | Ctr - |
| VJ1008NHWLL1 (mm) | 1.62 (41.2) | 4.01 (101.8) | 0.37 (9.5) | 10.75 (273.0) | 6.00 (152.5) | 0.31 (8.0) | 0.12 (3.0) | 11.50 (292.0) | 6.24 (158.5) | 8.25 (209.5) | 0.08 (2.0) | 5.14 (130.5) | Ctr - |
| VJ1210NHWLL2 (mm) | 1.62 (41.2) | 4.13 (105.0) | 0.37 (9.5) | 12.76 (324.0) | 8.00 (203.2) | 0.31 (8.0) | 0.12 (3.0) | 13.50 (343.0) | 8.25 (209.5) | 10.26 (260.5) | 0.08 (2.0) | 5.30 (134.5) | 7.09 (180) |
| VJ1412NHWLL2 (mm) | 1.75 (44.4) | 4.92 (125.0) | 0.50 (12.7) | 14.75 (374.6) | 10.00 (254.0) | 0.31 (8.0) | 0.12 (3.0) | 15.51 (394.0) | 10.24 (260.0) | 12.26 (311.5) | 0.08 (2.0) | 6.40 (162.5) | 9.56 (243) |
| VJ1614NHWLL2 (mm) | 1.75 (44.4) | 5.01 (127.3) | 0.50 (12.7) | 16.75 (425.5) | 12.01 (305.0) | 0.31 (8.0) | 0.12 (3.0) | 17.52 (445.0) | 12.24 (311.0) | 14.25 (362.0) | 0.08 (2.0) | 6.40 (162.5) | 9.56 (243) |
| VJ1816NHWLL2 (mm) | 1.75 (44.4) | 7.89 (200.3) | 0.50 (12.7) | 18.75 (476.2) | 12.01 (305.0) | 0.31 (8.0) | 0.12 (3.0) | 19.49 (495.0) | 14.25 (362.0) | 16.26 (413.0) | 0.08 (2.0) | 9.27 (235.5) | 11.25 (289) |

FRP NEMA rating 3, 3R, 4, 4X, 12 & 13 CVJ Series with 4 Captive Stainless Steel Cover Screws. Clearview Bonded Window on Cover



FEATURES

- All CVJ Series enclosures are designed to meet the Joint Industrial Council (JIC) standards in the United States.
- CVJ's are made from corrosion resistant hot compression molded fiberglass reinforced polyester with transparent lexana windows. These enclosures do not contain halogens.
- The CVJ Series "W" enclosures include four stainless steel captive screws that secure the cover to the base by means of four threaded brass inserts contained in the base.
- Seven sizes are available from 6" x 6" to 18" x 16"
- Vynckier's CVJ enclosures are capable of withstanding continuous temperatures from -58°F (-50°C) up to 302°F (150°C).
- CVJ enclosures provide protection for equipment and operators from indirect electrical contact.

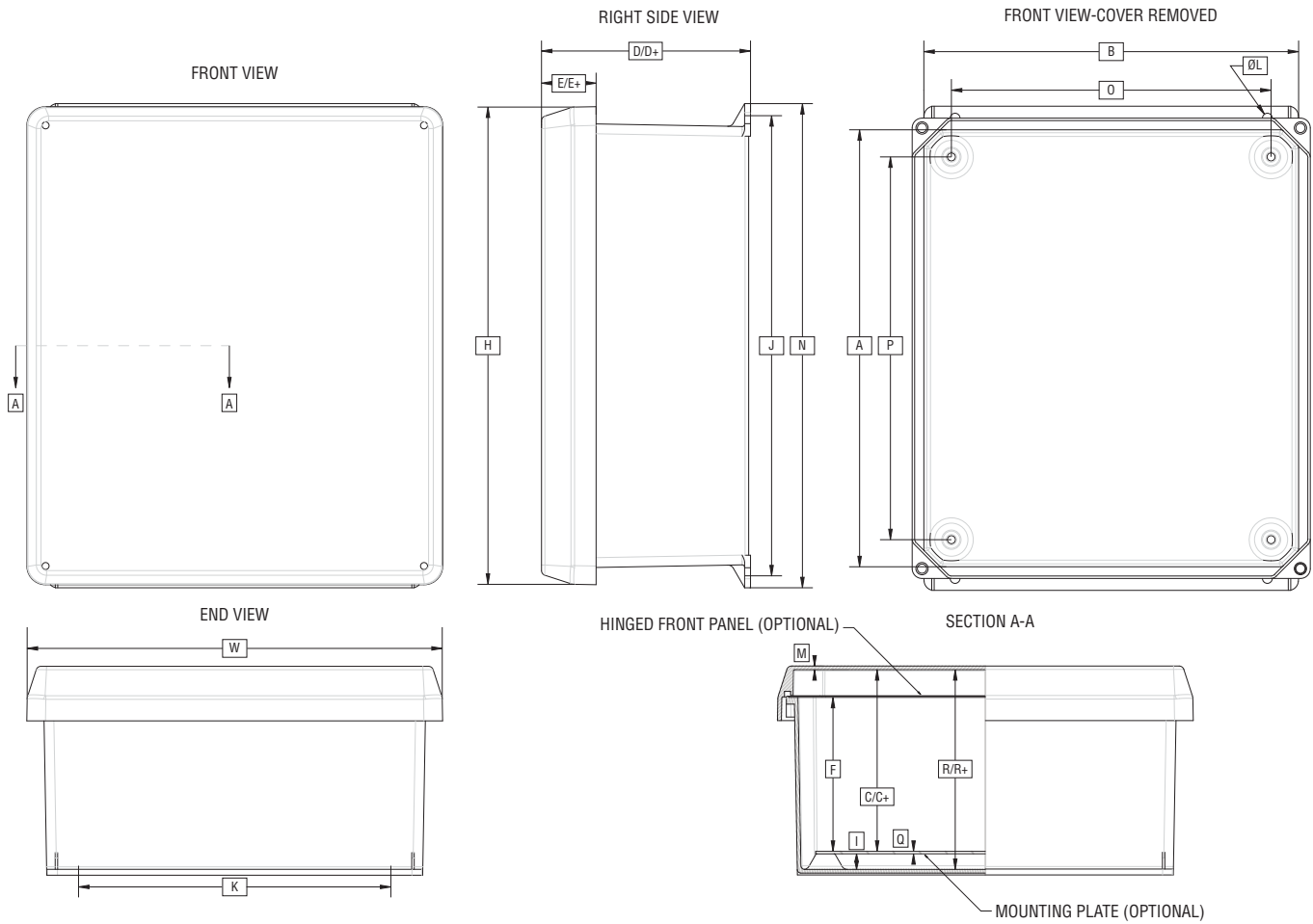
- All CVJ enclosures are UL listed for NEMA 3, 3R, 4, 4X, 12 & 13; CSA Certified per Standard C22.2- 0, 0.4, 0.7, 0.6, 94 Type 3, 3R, 4, 4X, 12 & 13.

OPTIONAL ACCESSORIES

- Aluminum, Painted Steel or non-metallic Mounting Plates
- Aluminum Hinged Front Plates
- Aluminum Front Plates with quarter turn brackets
- MEDV Air Vents
- Backpanel stand-offs in four different lengths

| Part Numbers Cover Window Screw Cover | Outside Dimension | | | Inside Dimension | | | Weight | Mounting Plates* | | | Dimensions | Front Panels | |
|---|-------------------|------------------|-----------------|------------------|------------------|-----------------|--------------------|------------------|---------|--------------|------------------------------|--------------|-----------|
| | H | W | D | A | B | C | | Aluminum | Steel | Non-Metallic | | Plain | Hinged |
| CVJ606W (mm) | 7.31 (185.8) | 7.31 (185.8) | 4.96 (126.0) | 6.00 (152.4) | 6.00 (152.4) | 4.21 (107.0) | 2.8 lb 1.27 kg | MP606A | MP606S | MP606N | 4.88 x 4.88 (124 x 124) | VFP606A | VFPH606A |
| CVJ806W (mm) | 9.31 (236.6) | 7.31 (185.8) | 4.96 (126.0) | 8.00 (203.2) | 6.00 (152.4) | 4.21 (107.0) | 3.8 lb 1.72 kg | MP806A | MP806S | MP806N | 6.75 x 4.88 (171 x 124) | VFP806A | VFPH806A |
| CVJ1008W (mm) | 11.31 (287.4) | 9.31 (236.6) | 5.43 (138.0) | 10.00 (254.0) | 8.00 (203.2) | 4.69 (119.0) | 4.8 lb 2.17 kg | MP1008A | MP1008S | MP1008N | 8.75 x 6.88 (222 x 175) | VFP1008A | VFPH1008A |
| CVJ1210W (mm) | 13.31 (338.2) | 11.31 (287.4) | 5.59 (142.0) | 12.00 (304.8) | 10.00 (254.0) | 4.84 (123.0) | 6.3 lb 2.85 kg | MP1210A | MP1210S | MP1210N | 10.50 x 8.88 (267 x 226) | VFP1210A | VFPH1210A |
| CVJ1412W (mm) | 15.32 (389) | 13.30 (338) | 6.70 (170.0) | 14.00 (355.6) | 12.00 (304.8) | 5.82 (147.8) | 8.6 lb 3.90 kg | MP1412A | MP1412S | MP1412N | 12.75 x 10.88 (324 x 276) | VFP1412A | VFPH1412A |
| CVJ1614W (mm) | 17.31 (439.8) | 15.31 (389) | 6.69 (170.0) | 16.00 (406.4) | 14.00 (355.6) | 5.82 (147.8) | 10.6 lb 4.80 kg | MP1614A | MP1614S | MP1614N | 14.75 x 12.88 (375 x 327) | VFP1614A | VFPH1614A |
| CVJ1816W (mm) | 19.31 (490.6) | 17.31 (439.8) | 9.57 (243.0) | 18.00 (457.2) | 16.00 (406.4) | 8.69 (220.8) | 14.0 lb 6.34 kg | MP1816A | MP1816S | MP1816N | 16.75 x 14.88 (426 x 378) | VFP1816A | VFPH1816A |

* A aluminum back panel (.080" material thickness)
 S painted steel back panel (.060" material thickness)
 N non-metallic back panel (.187" material thickness)



| Part Numbers Cover Window Screw Cover | Dimensions | | | | | | | | | | | | Window | |
|---|----------------|-----------------|----------------|------------------|------------------|---------------|---------------|------------------|------------------|------------------|---------------|-----------------|----------------|----------------|
| | E | F | I | J | K | L | M | N | O | P | Q | R | Height | Width |
| CVJ606W (mm) | 1.38 (35.0) | 3.76 (95.5) | 0.37 (9.5) | 6.75 (171.5) | 4.00 (101.6) | 0.31 (8.0) | 0.12 (3.0) | 7.50 (190.5) | 4.25 (108.0) | 4.25 (108.0) | 0.08 (2.0) | 4.67 (118.5) | 6.00 (152) | 6.00 (152) |
| CVJ806W (mm) | 1.38 (35.0) | 3.76 (95.5) | 0.37 (9.5) | 8.75 (222.2) | 4.00 (101.6) | 0.31 (8.0) | 0.12 (3.0) | 9.50 (241.2) | 4.25 (108.0) | 6.26 (159.0) | 0.08 (2.0) | 4.67 (118.5) | 8.00 (203) | 6.00 (152) |
| CVJ1008W (mm) | 1.62 (41.2) | 4.01 (101.8) | 0.37 (9.5) | 10.75 (273.0) | 6.00 (152.5) | 0.31 (8.0) | 0.12 (3.0) | 11.50 (292.0) | 6.24 (158.5) | 8.25 (209.5) | 0.08 (2.0) | 5.14 (130.5) | 10.00 (254) | 8.00 (203) |
| CVJ1210W (mm) | 1.62 (41.2) | 4.13 (105.0) | 0.37 (9.5) | 12.76 (324.0) | 8.00 (203.2) | 0.31 (8.0) | 0.12 (3.0) | 13.50 (343.0) | 8.25 (209.5) | 10.26 (260.5) | 0.08 (2.0) | 5.30 (134.5) | 12.00 (305) | 10.00 (254) |
| CVJ1412W (mm) | 1.75 (44.4) | 4.92 (125.0) | 0.50 (12.7) | 14.75 (374.6) | 10.00 (254.0) | 0.31 (8.0) | 0.12 (3.0) | 15.51 (394.0) | 10.24 (260.0) | 12.26 (311.5) | 0.08 (2.0) | 6.40 (162.5) | 14.00 (356) | 12.00 (305) |
| CVJ1614W (mm) | 1.75 (44.4) | 5.01 (127.3) | 0.50 (12.7) | 16.75 (425.5) | 12.01 (305.0) | 0.31 (8.0) | 0.12 (3.0) | 17.52 (445.0) | 12.24 (311.0) | 14.25 (362.0) | 0.08 (2.0) | 6.40 (162.5) | 16.00 (406) | 14.00 (356) |
| CVJ1816W (mm) | 1.75 (44.4) | 7.89 (200.3) | 0.50 (12.7) | 18.75 (476.2) | 12.01 (305.0) | 0.31 (8.0) | 0.12 (3.0) | 19.49 (495.0) | 14.25 (362.0) | 16.26 (413.0) | 0.08 (2.0) | 9.27 (235.5) | 18.00 (457) | 16.00 (406) |

FRP NEMA rating 3, 3R, 4, 4X, 12 & 13 CVJ Series with 2 Captive Stainless Steel Cover Screws and a Stainless Steel Piano Hinge. Clearview Bonded Window on Cover



FEATURES

- All CVJ Series enclosures are designed to meet the Joint Industrial Council (JIC) standards in the United States.
- CVJ's are made from corrosion resistant hot compression molded fiberglass reinforced polyester with transparent lexana windows. These enclosures do not contain halogens.
- The CVJ Series "HW" enclosures include two stainless steel captive screws and a stainless steel piano hinge that secure the cover to the base. Two threaded brass inserts contained in the base secure the cover screws, rivets connect the hinge to the cover and self-tapping screws connect the hinge to the base.
- Seven sizes are available from 6" x 6" to 18" x 16"
- Vynckier's CVJ enclosures are capable of withstanding continuous temperatures from -58°F (-50°C) up to 302°F (150°C).

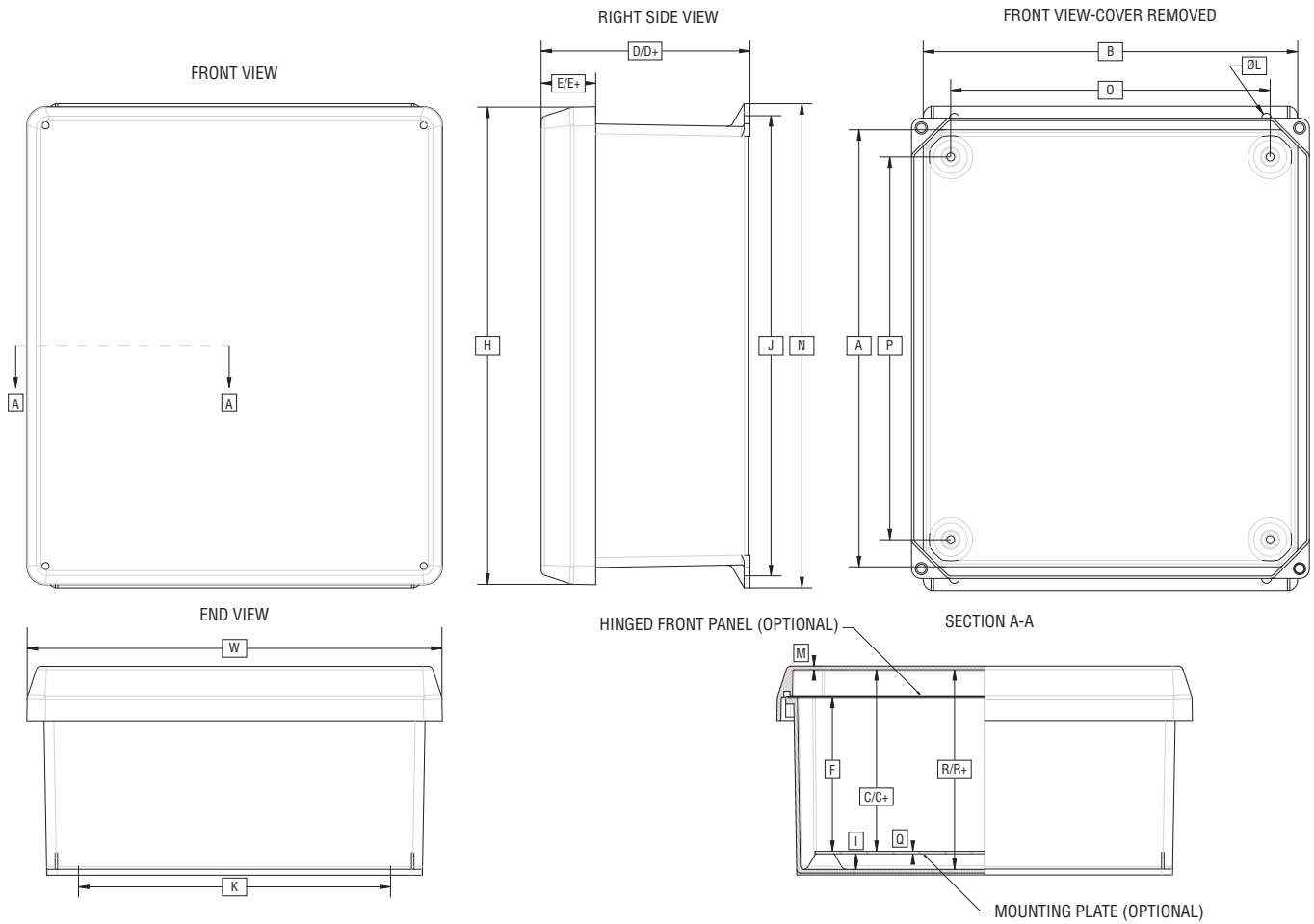
- CVJ enclosures provide protection for equipment and operators from indirect electrical contact.
- All CVJ enclosures are UL listed for NEMA 3, 3R, 4, 4X, 12 & 13; CSA Certified per Standard C22.2- 0, 0.4, 0.7, 0.6, 94 Type 3, 3R, 4, 4X, 12 & 13.

OPTIONAL ACCESSORIES

- Aluminum, Painted Steel or non-metallic Mounting Plates
- Aluminum Hinged Front Plates
- Aluminum Front Plates with quarter turn brackets
- MEDV Air Vents
- Backpanel stand-offs in four different lengths

| Cover Window SS Hinge & Screws Pt. # | Outside Dimension | | | Inside Dimension | | | Weight | Mounting Plates* | | | | Front Panels | |
|--|----------------------|------------------|-----------------|---------------------|------------------|-----------------|--------------------|------------------|---------|--------------|------------------------------|--------------|-----------|
| | H | W | D | A | B | C | | Aluminum | Steel | Non-Metallic | Dimensions | Plain | Hinged |
| CVJ606HW (mm) | 7.31 (185.8) | 7.31 (185.8) | 4.96 (126.0) | 6.00 (152.4) | 6.00 (152.4) | 4.21 (107.0) | 2.8 lb 1.27 kg | MP606A | MP606S | MP606N | 4.88 x 4.88 (124 x 124) | VFP606A | VFPH606A |
| CVJ806HW (mm) | 9.31 (236.6) | 7.31 (185.8) | 4.96 (126.0) | 8.00 (203.2) | 6.00 (152.4) | 4.21 (107.0) | 3.8 lb 1.72 kg | MP806A | MP806S | MP806N | 6.75 x 4.88 (171 x 124) | VFP806A | VFPH806A |
| CVJ1008HW (mm) | 11.31 (287.4) | 9.31 (236.6) | 5.43 (138.0) | 10.00 (254.0) | 8.00 (203.2) | 4.69 (119.0) | 4.8 lb 2.17 kg | MP1008A | MP1008S | MP1008N | 8.75 x 6.88 (222 x 175) | VFP1008A | VFPH1008A |
| CVJ1210HW (mm) | 13.31 (338.2) | 11.31 (287.4) | 5.59 (142.0) | 12.00 (304.8) | 10.00 (254.0) | 4.84 (123.0) | 6.3 lb 2.85 kg | MP1210A | MP1210S | MP1210N | 10.50 x 8.88 (267 x 226) | VFP1210A | VFPH1210A |
| CVJ1412HW (mm) | 15.32 (389) | 13.30 (338) | 6.70 (170.0) | 14.00 (355.6) | 12.00 (304.8) | 5.82 (147.8) | 8.6 lb 3.90 kg | MP1412A | MP1412S | MP1412N | 12.75 x 10.88 (324 x 276) | VFP1412A | VFPH1412A |
| CVJ1614HW (mm) | 17.31 (439.8) | 15.31 (389) | 6.69 (170.0) | 16.00 (406.4) | 14.00 (355.6) | 5.82 (147.8) | 10.6 lb 4.80 kg | MP1614A | MP1614S | MP1614N | 14.75 x 12.88 (375 x 327) | VFP1614A | VFPH1614A |
| CVJ1816HW (mm) | 19.31 (490.6) | 17.31 (439.8) | 9.57 (243.0) | 18.00 (457.2) | 16.00 (406.4) | 8.69 (220.8) | 14.0 lb 6.34 kg | MP1816A | MP1816S | MP1816N | 16.75 x 14.88 (426 x 378) | VFP1816A | VFPH1816A |

* A aluminum back panel (.080" material thickness)
 S painted steel back panel (.060" material thickness)
 N non-metallic back panel (.187" material thickness)



| Cover Window SS Hinge & Screws Pt. # | Dimensions | | | | | | | | | | | | Window | |
|--|----------------|-----------------|----------------|------------------|------------------|---------------|---------------|------------------|------------------|------------------|---------------|-----------------|----------------|----------------|
| | E | F | I | J | K | L | M | N | O | P | Q | R | Height | Width |
| CVJ606HW (mm) | 1.38 (35.0) | 3.76 (95.5) | 0.37 (9.5) | 6.75 (171.5) | 4.00 (101.6) | 0.31 (8.0) | 0.12 (3.0) | 7.50 (190.5) | 4.25 (108.0) | 4.25 (108.0) | 0.08 (2.0) | 4.67 (118.5) | 6.00 (152) | 6.00 (152) |
| CVJ806HW (mm) | 1.38 (35.0) | 3.76 (95.5) | 0.37 (9.5) | 8.75 (222.2) | 4.00 (101.6) | 0.31 (8.0) | 0.12 (3.0) | 9.50 (241.2) | 4.25 (108.0) | 6.26 (159.0) | 0.08 (2.0) | 4.67 (118.5) | 8.00 (203) | 6.00 (152) |
| CVJ1008HW (mm) | 1.62 (41.2) | 4.01 (101.8) | 0.37 (9.5) | 10.75 (273.0) | 6.00 (152.5) | 0.31 (8.0) | 0.12 (3.0) | 11.50 (292.0) | 6.24 (158.5) | 8.25 (209.5) | 0.08 (2.0) | 5.14 (130.5) | 10.00 (254) | 8.00 (203) |
| CVJ1210HW (mm) | 1.62 (41.2) | 4.13 (105.0) | 0.37 (9.5) | 12.76 (324.0) | 8.00 (203.2) | 0.31 (8.0) | 0.12 (3.0) | 13.50 (343.0) | 8.25 (209.5) | 10.26 (260.5) | 0.08 (2.0) | 5.30 (134.5) | 12.00 (305) | 10.00 (254) |
| CVJ1412HW (mm) | 1.75 (44.4) | 4.92 (125.0) | 0.50 (12.7) | 14.75 (374.6) | 10.00 (254.0) | 0.31 (8.0) | 0.12 (3.0) | 15.51 (394.0) | 10.24 (260.0) | 12.26 (311.5) | 0.08 (2.0) | 6.40 (162.5) | 14.00 (356) | 12.00 (305) |
| CVJ1614HW (mm) | 1.75 (44.4) | 5.01 (127.3) | 0.50 (12.7) | 16.75 (425.5) | 12.01 (305.0) | 0.31 (8.0) | 0.12 (3.0) | 17.52 (445.0) | 12.24 (311.0) | 14.25 (362.0) | 0.08 (2.0) | 6.40 (162.5) | 16.00 (406) | 14.00 (356) |
| CVJ1816HW (mm) | 1.75 (44.4) | 7.89 (200.3) | 0.50 (12.7) | 18.75 (476.2) | 12.01 (305.0) | 0.31 (8.0) | 0.12 (3.0) | 19.49 (495.0) | 14.25 (362.0) | 16.26 (413.0) | 0.08 (2.0) | 9.27 (235.5) | 18.00 (457) | 16.00 (406) |

FRP NEMA rating 3, 3R, 4, 4X, 12 & 13 CVJ Series with Stainless Steel Padlockable Latch(s) and a Stainless Steel Piano Hinge. Clearview Bonded Window on Cover



FEATURES

- All CVJ Series enclosures are designed to meet the Joint Industrial Council (JIC) standards in the United States.
- CVJ's are made from corrosion resistant hot compression molded fiberglass reinforced polyester with transparent lexana windows. These enclosures do not contain halogens.
- The CVJ Series "HWPL" enclosures include one or two stainless steel padlockable latches to secure one side of the cover to the base and a stainless steel piano hinge that secures the other. Rivets connect the hinge to the cover and self-tapping screws connect the screws to the base.
- Seven sizes are available from 6" x 6" to 18" x 16"
- Vynckier's CVJ enclosures are capable of withstanding continuous temperatures from -58°F (-50°C) up to 302°F (150°C).

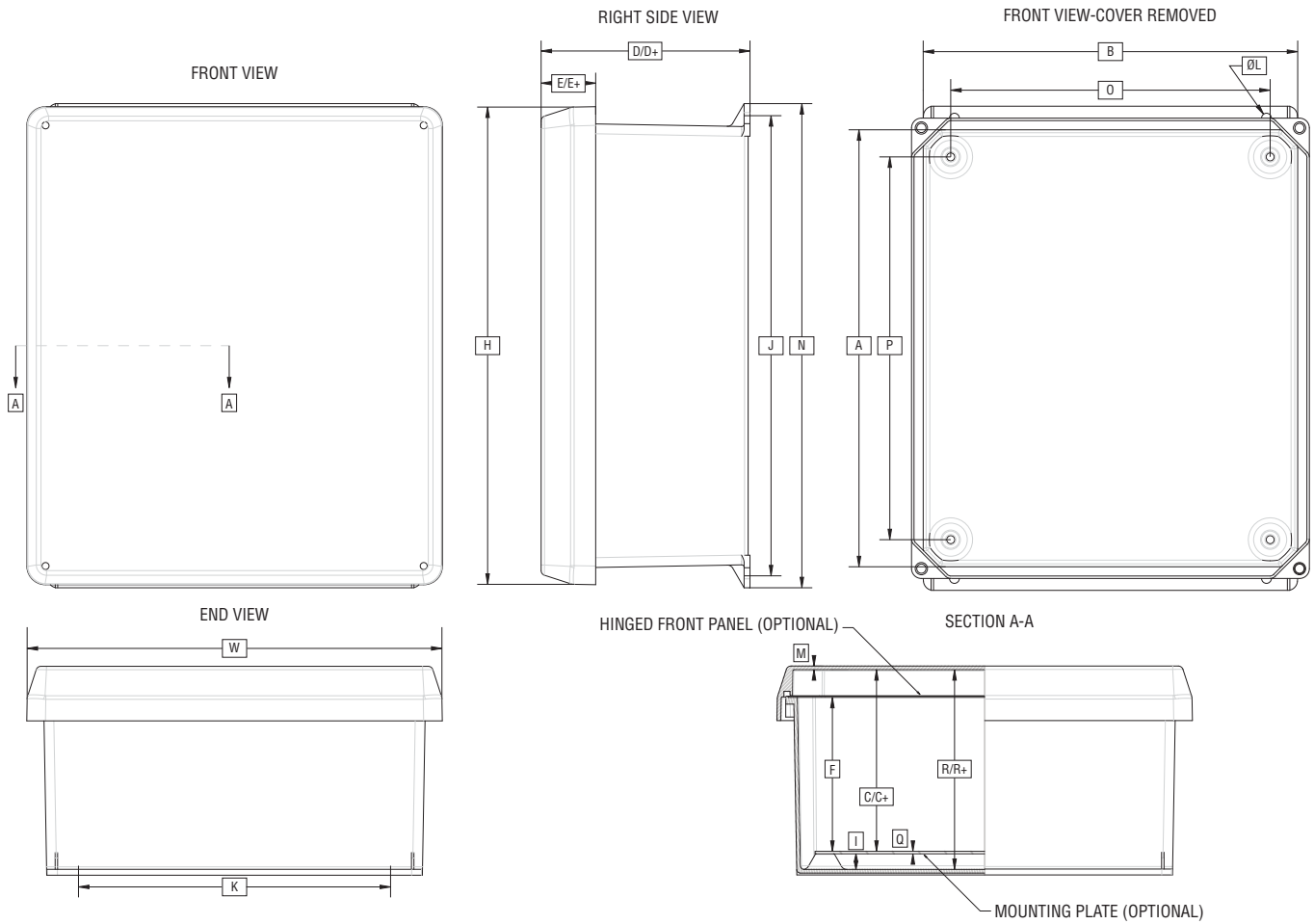
- CVJ enclosures provide protection for equipment and operators from indirect electrical contact.
- All CVJ enclosures are UL listed for NEMA 3, 3R, 4, 4X, 12 & 13; CSA Certified per Standard C22.2- 0, 0.4, 0.7, 0.6, 94 Type 3, 3R, 4, 4X, 12 & 13.

OPTIONAL ACCESSORIES

- Aluminum, Painted Steel or non-metallic Mounting Plates
- Aluminum Hinged Front Plates
- Aluminum Front Plates with quarter turn brackets
- MEDV Air Vents
- Backpanel stand-offs in four different lengths

| Clear Cover, SS Hinge Padlock Latch | Outside Dimension | | | Inside Dimension | | | Weight | Mounting Plates* | | | Dimensions | Front Panels | |
|---|----------------------|------------------|-----------------|---------------------|------------------|-----------------|--------------------|------------------|---------|--------------|------------------------------|--------------|-----------|
| | H | W | D | A | B | C | | Aluminum | Steel | Non-Metallic | | Plain | Hinged |
| CVJ606HWPL1 (mm) | 7.31 (185.8) | 7.31 (185.8) | 4.96 (126.0) | 6.00 (152.4) | 6.00 (152.4) | 4.21 (107.0) | 2.8 lb 1.27 kg | MP606A | MP606S | MP606N | 4.88 x 4.88 (124 x 124) | VFP606A | VFPH606A |
| CVJ806HWPL1 (mm) | 9.31 (236.6) | 7.31 (185.8) | 4.96 (126.0) | 8.00 (203.2) | 6.00 (152.4) | 4.21 (107.0) | 3.8 lb 1.72 kg | MP806A | MP806S | MP806N | 6.75 x 4.88 (171 x 124) | VFP806A | VFPH806A |
| CVJ1008HWPL1 (mm) | 11.31 (287.4) | 9.31 (236.6) | 5.43 (138.0) | 10.00 (254.0) | 8.00 (203.2) | 4.69 (119.0) | 4.8 lb 2.17 kg | MP1008A | MP1008S | MP1008N | 8.75 x 6.88 (222 x 175) | VFP1008A | VFPH1008A |
| CVJ1210HWPL2 (mm) | 13.31 (338.2) | 11.31 (287.4) | 5.59 (142.0) | 12.00 (304.8) | 10.00 (254.0) | 4.84 (123.0) | 6.3 lb 2.85 kg | MP1210A | MP1210S | MP1210N | 10.50 x 8.88 (267 x 226) | VFP1210A | VFPH1210A |
| CVJ1412HWPL2 (mm) | 15.32 (389) | 13.30 (338) | 6.70 (170.0) | 14.00 (355.6) | 12.00 (304.8) | 5.82 (147.8) | 8.6 lb 3.90 kg | MP1412A | MP1412S | MP1412N | 12.75 x 10.88 (324 x 276) | VFP1412A | VFPH1412A |
| CVJ1614HWPL2 (mm) | 17.31 (439.8) | 15.31 (389) | 6.69 (170.0) | 16.00 (406.4) | 14.00 (355.6) | 5.82 (147.8) | 10.6 lb 4.80 kg | MP1614A | MP1614S | MP1614N | 14.75 x 12.88 (375 x 327) | VFP1614A | VFPH1614A |
| CVJ1816HWPL2 (mm) | 19.31 (490.6) | 17.31 (439.8) | 9.57 (243.0) | 18.00 (457.2) | 16.00 (406.4) | 8.69 (220.8) | 14.0 lb 6.34 kg | MP1816A | MP1816S | MP1816N | 16.75 x 14.88 (426 x 378) | VFP1816A | VFPH1816A |

* A aluminum back panel (.080" material thickness)
 S painted steel back panel (.060" material thickness)
 N non-metallic back panel (.187" material thickness)



| Clear Cover, SS Hinge Padlock Latch | Dimensions | | | | | | | | | | | | Window | | Latch Spacing |
|---|----------------|-----------------|----------------|------------------|------------------|---------------|---------------|------------------|------------------|------------------|---------------|-----------------|----------------|----------------|------------------|
| | E | F | I | J | K | L | M | N | O | P | Q | R | Ht | Wd | |
| CVJ606HWPL1 (mm) | 1.38 (35.0) | 3.76 (95.5) | 0.37 (9.5) | 6.75 (171.5) | 4.00 (101.6) | 0.31 (8.0) | 0.12 (3.0) | 7.50 (190.5) | 4.25 (108.0) | 4.25 (108.0) | 0.08 (2.0) | 4.67 (118.5) | 6.00 (152) | 6.00 (152) | Ctr - |
| CVJ806HWPL1 (mm) | 1.38 (35.0) | 3.76 (95.5) | 0.37 (9.5) | 8.75 (222.2) | 4.00 (101.6) | 0.31 (8.0) | 0.12 (3.0) | 9.50 (241.2) | 4.25 (108.0) | 6.26 (159.0) | 0.08 (2.0) | 4.67 (118.5) | 8.00 (203) | 6.00 (152) | Ctr - |
| CVJ1008HWPL1 (mm) | 1.62 (41.2) | 4.01 (101.8) | 0.37 (9.5) | 10.75 (273.0) | 6.00 (152.5) | 0.31 (8.0) | 0.12 (3.0) | 11.50 (292.0) | 6.24 (158.5) | 8.25 (209.5) | 0.08 (2.0) | 5.14 (130.5) | 10.00 (254) | 8.00 (203) | Ctr - |
| CVJ1210HWPL2 (mm) | 1.62 (41.2) | 4.13 (105.0) | 0.37 (9.5) | 12.76 (324.0) | 8.00 (203.2) | 0.31 (8.0) | 0.12 (3.0) | 13.50 (343.0) | 8.25 (209.5) | 10.26 (260.5) | 0.08 (2.0) | 5.30 (134.5) | 12.00 (305) | 10.00 (254) | 7.09 (180) |
| CVJ1412HWPL2 (mm) | 1.75 (44.4) | 4.92 (125.0) | 0.50 (12.7) | 14.75 (374.6) | 10.00 (254.0) | 0.31 (8.0) | 0.12 (3.0) | 15.51 (394.0) | 10.24 (260.0) | 12.26 (311.5) | 0.08 (2.0) | 6.40 (162.5) | 14.00 (356) | 12.00 (305) | 9.56 (243) |
| CVJ1614HWPL2 (mm) | 1.75 (44.4) | 5.01 (127.3) | 0.50 (12.7) | 16.75 (425.5) | 12.01 (305.0) | 0.31 (8.0) | 0.12 (3.0) | 17.52 (445.0) | 12.24 (311.0) | 14.25 (362.0) | 0.08 (2.0) | 6.40 (162.5) | 16.00 (406) | 14.00 (356) | 9.56 (243) |
| CVJ1816HWPL2 (mm) | 1.75 (44.4) | 7.89 (200.3) | 0.50 (12.7) | 18.75 (476.2) | 12.01 (305.0) | 0.31 (8.0) | 0.12 (3.0) | 19.49 (495.0) | 14.25 (362.0) | 16.26 (413.0) | 0.08 (2.0) | 9.27 (235.5) | 18.00 (457) | 16.00 (406) | 11.25 (289) |

FRP NEMA rating 3, 3R, 4, 4X, 12 & 13 CVJ Series with Stainless Twist Latch(es) and a Stainless Steel Piano Hinge. Clearview Bonded Window on Cover



FEATURES

- All CVJ Series enclosures are designed to meet the Joint Industrial Council (JIC) standards in the United States.
- CVJ's are made from corrosion resistant hot compression molded fiberglass reinforced polyester with transparent lexana windows. These enclosures do not contain halogens.
- The CVJ Series "HWLL" enclosures include one or two stainless steel twist latches to secure one side of the cover to the base and a stainless steel piano hinge that secures the other. Rivets connect the hinge to the cover and self-tapping screws connect the screws to the base.
- Seven sizes are available from 6" x 6" to 18" x 16"
- Vynckier's CVJ enclosures are capable of withstanding continuous temperatures from -58°F (-50°C) up to 302°F (150°C).

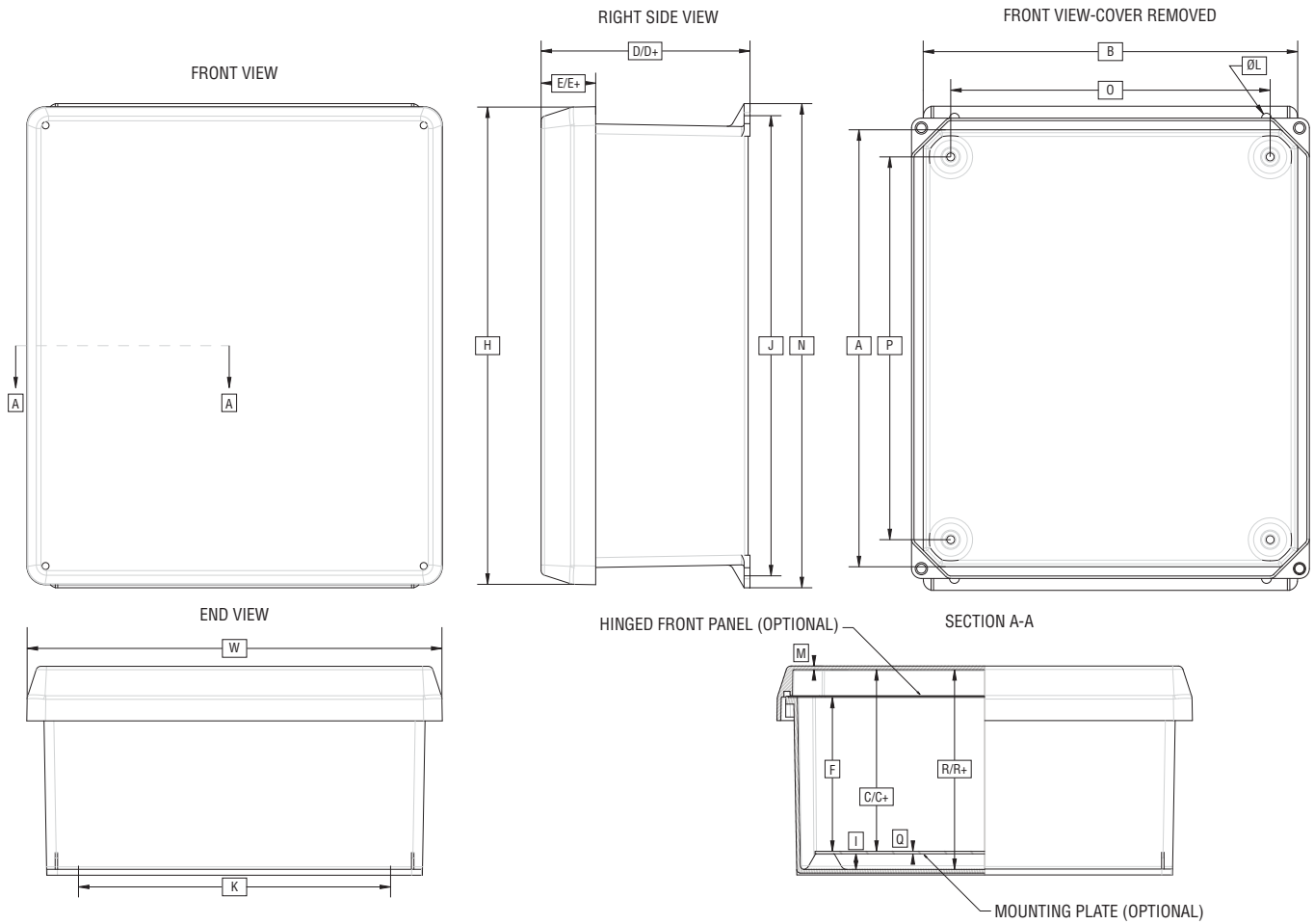
- CVJ enclosures provide protection for equipment and operators from indirect electrical contact.
- All CVJ enclosures are UL listed for NEMA 3, 3R, 4, 4X, 12 & 13; CSA Certified per Standard C22.2- 0, 0.4, 0.7, 0.6, 94 Type 3, 3R, 4, 4X, 12 & 13.

OPTIONAL ACCESSORIES

- Aluminum, Painted Steel or non-metallic Mounting Plates
- Aluminum Hinged Front Plates
- Aluminum Front Plates with quarter turn brackets
- MEDV Air Vents
- Backpanel stand-offs in four different lengths

| Clear Cover, SS Hinge Twist Latch(es) | Outside Dimension | | | Inside Dimension | | | Weight | Mounting Plates* | | | | Front Panels | |
|---|----------------------|------------------|-----------------|---------------------|------------------|-----------------|--------------------|------------------|---------|--------------|------------------------------|--------------|-----------|
| | H | W | D | A | B | C | | Aluminum | Steel | Non-Metallic | Dimensions | Plain | Hinged |
| CVJ606HWLL1 (mm) | 7.31 (185.8) | 7.31 (185.8) | 4.96 (126.0) | 6.00 (152.4) | 6.00 (152.4) | 4.21 (107.0) | 2.8 lb 1.27 kg | MP606A | MP606S | MP606N | 4.88 x 4.88 (124 x 124) | VFP606A | VFPH606A |
| CVJ806HWLL1 (mm) | 9.31 (236.6) | 7.31 (185.8) | 4.96 (126.0) | 8.00 (203.2) | 6.00 (152.4) | 4.21 (107.0) | 3.8 lb 1.72 kg | MP806A | MP806S | MP806N | 6.75 x 4.88 (171 x 124) | VFP806A | VFPH806A |
| CVJ1008HWLL1 (mm) | 11.31 (287.4) | 9.31 (236.6) | 5.43 (138.0) | 10.00 (254.0) | 8.00 (203.2) | 4.69 (119.0) | 4.8 lb 2.17 kg | MP1008A | MP1008S | MP1008N | 8.75 x 6.88 (222 x 175) | VFP1008A | VFPH1008A |
| CVJ1210HWLL2 (mm) | 13.31 (338.2) | 11.31 (287.4) | 5.59 (142.0) | 12.00 (304.8) | 10.00 (254.0) | 4.84 (123.0) | 6.3 lb 2.85 kg | MP1210A | MP1210S | MP1210N | 10.50 x 8.88 (267 x 226) | VFP1210A | VFPH1210A |
| CVJ1412HWLL2 (mm) | 15.32 (389) | 13.30 (338) | 6.70 (170.0) | 14.00 (355.6) | 12.00 (304.8) | 5.82 (147.8) | 8.6 lb 3.90 kg | MP1412A | MP1412S | MP1412N | 12.75 x 10.88 (324 x 276) | VFP1412A | VFPH1412A |
| CVJ1614HWLL2 (mm) | 17.31 (439.8) | 15.31 (389) | 6.69 (170.0) | 16.00 (406.4) | 14.00 (355.6) | 5.82 (147.8) | 10.6 lb 4.80 kg | MP1614A | MP1614S | MP1614N | 14.75 x 12.88 (375 x 327) | VFP1614A | VFPH1614A |
| CVJ1816HWLL2 (mm) | 19.31 (490.6) | 17.31 (439.8) | 9.57 (243.0) | 18.00 (457.2) | 16.00 (406.4) | 8.69 (220.8) | 14.0 lb 6.34 kg | MP1816A | MP1816S | MP1816N | 16.75 x 14.88 (426 x 378) | VFP1816A | VFPH1816A |

* A aluminum back panel (.080" material thickness)
 S painted steel back panel (.060" material thickness)
 N non-metallic back panel (.187" material thickness)



| Clear Cover, SS Hinge Twist Latch(es) | Dimensions | | | | | | | | | | | | Window Ht | Window Wd | Latch Spacing |
|---|----------------|-----------------|----------------|------------------|------------------|---------------|---------------|------------------|------------------|------------------|---------------|-----------------|----------------|----------------|------------------|
| | E | F | I | J | K | L | M | N | O | P | Q | R | | | |
| CVJ606HWLL1 (mm) | 1.38 (35.0) | 3.76 (95.5) | 0.37 (9.5) | 6.75 (171.5) | 4.00 (101.6) | 0.31 (8.0) | 0.12 (3.0) | 7.50 (190.5) | 4.25 (108.0) | 4.25 (108.0) | 0.08 (2.0) | 4.67 (118.5) | 6.00 (152) | 6.00 (152) | Ctr |
| CVJ806HWLL1 (mm) | 1.38 (35.0) | 3.76 (95.5) | 0.37 (9.5) | 8.75 (222.2) | 4.00 (101.6) | 0.31 (8.0) | 0.12 (3.0) | 9.50 (241.2) | 4.25 (108.0) | 6.26 (159.0) | 0.08 (2.0) | 4.67 (118.5) | 8.00 (203) | 6.00 (152) | Ctr |
| CVJ1008HWLL1 (mm) | 1.62 (41.2) | 4.01 (101.8) | 0.37 (9.5) | 10.75 (273.0) | 6.00 (152.5) | 0.31 (8.0) | 0.12 (3.0) | 11.50 (292.0) | 6.24 (158.5) | 8.25 (209.5) | 0.08 (2.0) | 5.14 (130.5) | 10.00 (254) | 8.00 (203) | Ctr |
| CVJ1210HWLL2 (mm) | 1.62 (41.2) | 4.13 (105.0) | 0.37 (9.5) | 12.76 (324.0) | 8.00 (203.2) | 0.31 (8.0) | 0.12 (3.0) | 13.50 (343.0) | 8.25 (209.5) | 10.26 (260.5) | 0.08 (2.0) | 5.30 (134.5) | 12.00 (305) | 10.00 (254) | 7.09 (180) |
| CVJ1412HWLL2 (mm) | 1.75 (44.4) | 4.92 (125.0) | 0.50 (12.7) | 14.75 (374.6) | 10.00 (254.0) | 0.31 (8.0) | 0.12 (3.0) | 15.51 (394.0) | 10.24 (260.0) | 12.26 (311.5) | 0.08 (2.0) | 6.40 (162.5) | 14.00 (356) | 12.00 (305) | 9.56 (243) |
| CVJ1614HWLL2 (mm) | 1.75 (44.4) | 5.01 (127.3) | 0.50 (12.7) | 16.75 (425.5) | 12.01 (305.0) | 0.31 (8.0) | 0.12 (3.0) | 17.52 (445.0) | 12.24 (311.0) | 14.25 (362.0) | 0.08 (2.0) | 6.40 (162.5) | 16.00 (406) | 14.00 (356) | 9.56 (243) |
| CVJ1816HWLL2 (mm) | 1.75 (44.4) | 7.89 (200.3) | 0.50 (12.7) | 18.75 (476.2) | 12.01 (305.0) | 0.31 (8.0) | 0.12 (3.0) | 19.49 (495.0) | 14.25 (362.0) | 16.26 (413.0) | 0.08 (2.0) | 9.27 (235.5) | 18.00 (457) | 16.00 (406) | 11.25 (289) |

FRP NEMA rating 3, 3R, 4, 4X, 12 & 13 CVJ Series with 2 Captive Stainless Steel Cover Screws and 2 Non-metallic Hinges. Clearview Bonded Window on Cover



FEATURES

- All CVJ Series enclosures are designed to meet the Joint Industrial Council (JIC) standards in the United States.
- CVJ's are made from corrosion resistant hot compression molded fiberglass reinforced polyester with transparent lexana windows. These enclosures do not contain halogens.
- The CVJ Series "NHW" enclosures include two stainless steel captive screws and two non-metallic hinges that secure the cover to the base. Two threaded brass inserts contained in the base secure the cover screws. Self tapping screws connect the hinges to the cover and base.
- Seven sizes are available from 6" x 6" to 18" x 16"
- Vynckier's CVJ enclosures are capable of withstanding continuous temperatures from -58°F (-50°C) up to 302°F (150°C).

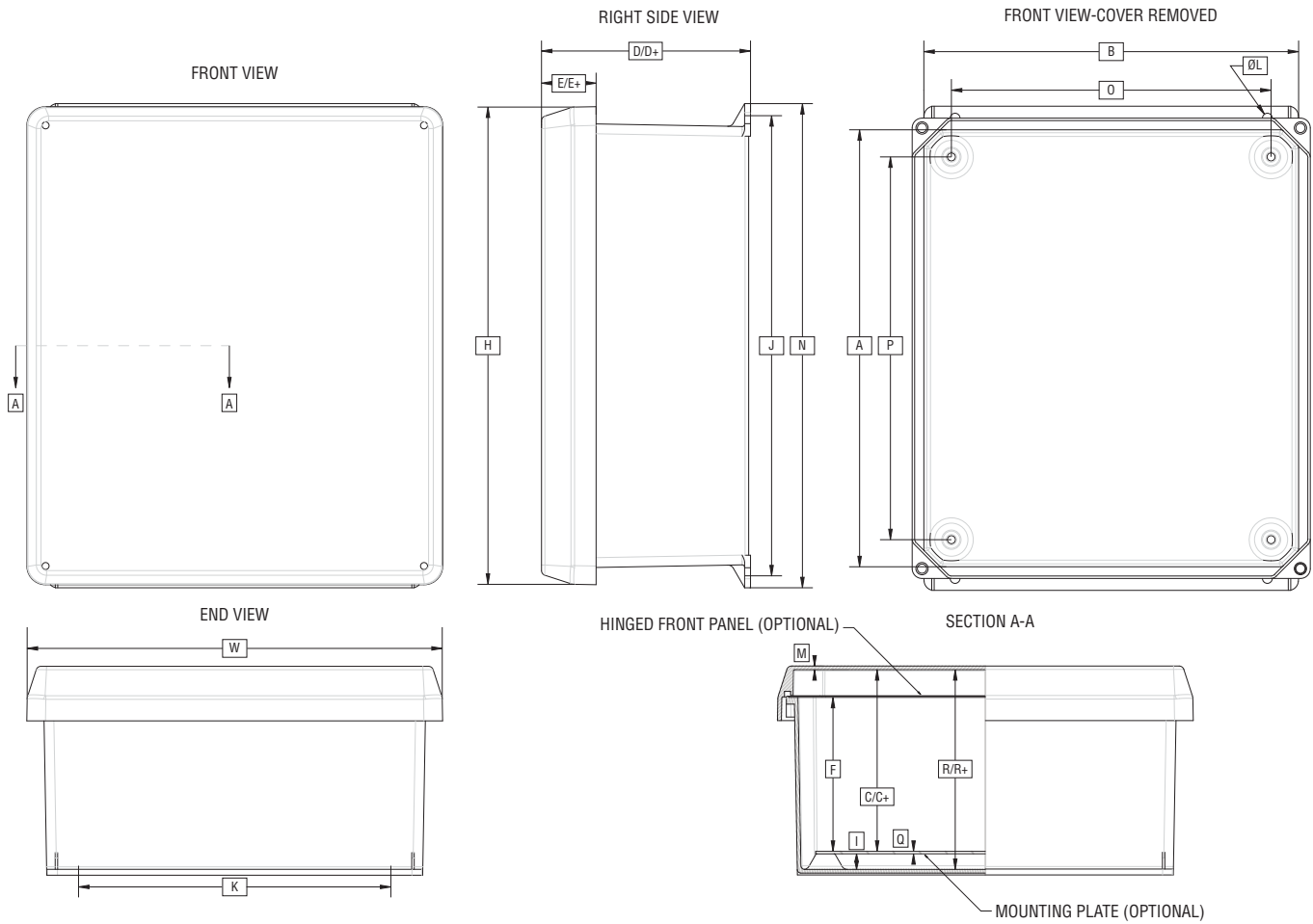
- CVJ enclosures provide protection for equipment and operators from indirect electrical contact.
- All CVJ enclosures are UL listed for NEMA 3, 3R, 4, 4X, 12 & 13; CSA Certified per Standard C22.2- 0, 0.4, 0.7, 0.6, 94 Type 3, 3R, 4, 4X, 12 & 13.

OPTIONAL ACCESSORIES

- Aluminum, Painted Steel or non-metallic Mounting Plates
- Aluminum Hinged Front Plates
- Aluminum Front Plates with quarter turn brackets
- MEDV Air Vents
- Backpanel stand-offs in four different lengths

| Clear Cover, SS Screws & N-M Hinges | Outside Dimension | | | Inside Dimension | | | Weight | Mounting Plates* | | | | Front Panels | |
|-------------------------------------|-------------------|------------------|-----------------|------------------|------------------|-----------------|--------------------|------------------|---------|--------------|------------------------------|--------------|-----------|
| | H | W | D | A | B | C | | Aluminum | Steel | Non-Metallic | Dimensions | Plain | Hinged |
| CVJ606NHW (mm) | 7.31 (185.8) | 7.31 (185.8) | 4.96 (126.0) | 6.00 (152.4) | 6.00 (152.4) | 4.21 (107.0) | 2.8 lb 1.27 kg | MP606A | MP606S | MP606N | 4.88 x 4.88 (124 x 124) | VFP606A | VFPH606A |
| CVJ806NHW (mm) | 9.31 (236.6) | 7.31 (185.8) | 4.96 (126.0) | 8.00 (203.2) | 6.00 (152.4) | 4.21 (107.0) | 3.8 lb 1.72 kg | MP806A | MP806S | MP806N | 6.75 x 4.88 (171 x 124) | VFP806A | VFPH806A |
| CVJ1008NHW (mm) | 11.31 (287.4) | 9.31 (236.6) | 5.43 (138.0) | 10.00 (254.0) | 8.00 (203.2) | 4.69 (119.0) | 4.8 lb 2.17 kg | MP1008A | MP1008S | MP1008N | 8.75 x 6.88 (222 x 175) | VFP1008A | VFPH1008A |
| CVJ1210NHW (mm) | 13.31 (338.2) | 11.31 (287.4) | 5.59 (142.0) | 12.00 (304.8) | 10.00 (254.0) | 4.84 (123.0) | 6.3 lb 2.85 kg | MP1210A | MP1210S | MP1210N | 10.50 x 8.88 (267 x 226) | VFP1210A | VFPH1210A |
| CVJ1412NHW (mm) | 15.32 (389) | 13.30 (338) | 6.70 (170.0) | 14.00 (355.6) | 12.00 (304.8) | 5.82 (147.8) | 8.6 lb 3.90 kg | MP1412A | MP1412S | MP1412N | 12.75 x 10.88 (324 x 276) | VFP1412A | VFPH1412A |
| CVJ1614NHW (mm) | 17.31 (439.8) | 15.31 (389) | 6.69 (170.0) | 16.00 (406.4) | 14.00 (355.6) | 5.82 (147.8) | 10.6 lb 4.80 kg | MP1614A | MP1614S | MP1614N | 14.75 x 12.88 (375 x 327) | VFP1614A | VFPH1614A |
| CVJ1816NHW (mm) | 19.31 (490.6) | 17.31 (439.8) | 9.57 (243.0) | 18.00 (457.2) | 16.00 (406.4) | 8.69 (220.8) | 14.0 lb 6.34 kg | MP1816A | MP1816S | MP1816N | 16.75 x 14.88 (426 x 378) | VFP1816A | VFPH1816A |

* A aluminum back panel (.080" material thickness)
 S painted steel back panel (.060" material thickness)
 N non-metallic back panel (.187" material thickness)



| Clear Cover, SS Screws & N-M Hinges | Dimensions | | | | | | | | | | | | Window | |
|---|----------------|-----------------|----------------|------------------|------------------|---------------|---------------|------------------|------------------|------------------|---------------|-----------------|----------------|----------------|
| | E | F | I | J | K | L | M | N | O | P | Q | R | Height | Width |
| CVJ606NHW (mm) | 1.38 (35.0) | 3.76 (95.5) | 0.37 (9.5) | 6.75 (171.5) | 4.00 (101.6) | 0.31 (8.0) | 0.12 (3.0) | 7.50 (190.5) | 4.25 (108.0) | 4.25 (108.0) | 0.08 (2.0) | 4.67 (118.5) | 6.00 (152) | 6.00 (152) |
| CVJ806NHW (mm) | 1.38 (35.0) | 3.76 (95.5) | 0.37 (9.5) | 8.75 (222.2) | 4.00 (101.6) | 0.31 (8.0) | 0.12 (3.0) | 9.50 (241.2) | 4.25 (108.0) | 6.26 (159.0) | 0.08 (2.0) | 4.67 (118.5) | 8.00 (203) | 6.00 (152) |
| CVJ1008NHW (mm) | 1.62 (41.2) | 4.01 (101.8) | 0.37 (9.5) | 10.75 (273.0) | 6.00 (152.5) | 0.31 (8.0) | 0.12 (3.0) | 11.50 (292.0) | 6.24 (158.5) | 8.25 (209.5) | 0.08 (2.0) | 5.14 (130.5) | 10.00 (254) | 8.00 (203) |
| CVJ1210NHW (mm) | 1.62 (41.2) | 4.13 (105.0) | 0.37 (9.5) | 12.76 (324.0) | 8.00 (203.2) | 0.31 (8.0) | 0.12 (3.0) | 13.50 (343.0) | 8.25 (209.5) | 10.26 (260.5) | 0.08 (2.0) | 5.30 (134.5) | 12.00 (305) | 10.00 (254) |
| CVJ1412NHW (mm) | 1.75 (44.4) | 4.92 (125.0) | 0.50 (12.7) | 14.75 (374.6) | 10.00 (254.0) | 0.31 (8.0) | 0.12 (3.0) | 15.51 (394.0) | 10.24 (260.0) | 12.26 (311.5) | 0.08 (2.0) | 6.40 (162.5) | 14.00 (356) | 12.00 (305) |
| CVJ1614NHW (mm) | 1.75 (44.4) | 5.01 (127.3) | 0.50 (12.7) | 16.75 (425.5) | 12.01 (305.0) | 0.31 (8.0) | 0.12 (3.0) | 17.52 (445.0) | 12.24 (311.0) | 14.25 (362.0) | 0.08 (2.0) | 6.40 (162.5) | 16.00 (406) | 14.00 (356) |
| CVJ1816NHW (mm) | 1.75 (44.4) | 7.89 (200.3) | 0.50 (12.7) | 18.75 (476.2) | 12.01 (305.0) | 0.31 (8.0) | 0.12 (3.0) | 19.49 (495.0) | 14.25 (362.0) | 16.26 (413.0) | 0.08 (2.0) | 9.27 (235.5) | 18.00 (457) | 16.00 (406) |

FRP NEMA rating 3, 3R, 4, 4X, 12 & 13 CVJ Series with Stainless Steel Padlockable Latch(s) and 2 Non-metallic Hinges. Clearview Bonded Window on Cover



FEATURES

- All CVJ Series enclosures are designed to meet the Joint Industrial Council (JIC) standards in the United States.
- CVJ's are made from corrosion resistant hot compression molded fiberglass reinforced polyester with transparent lexana windows. These enclosures do not contain halogens.
- The CVJ Series "NHWPL" enclosures include one or two stainless steel padlockable latches to secure one side of the cover to the base with two non-metallic hinges that secures the other. Self-tapping screws connect the hinges to the cover and base.
- Seven sizes are available from 6" x 6" to 18" x 16"
- Vynckier's CVJ enclosures are capable of withstanding continuous temperatures from -58°F (-50°C) up to 302°F (150°C).
- CVJ enclosures provide protection for equipment and operators from indirect electrical contact.

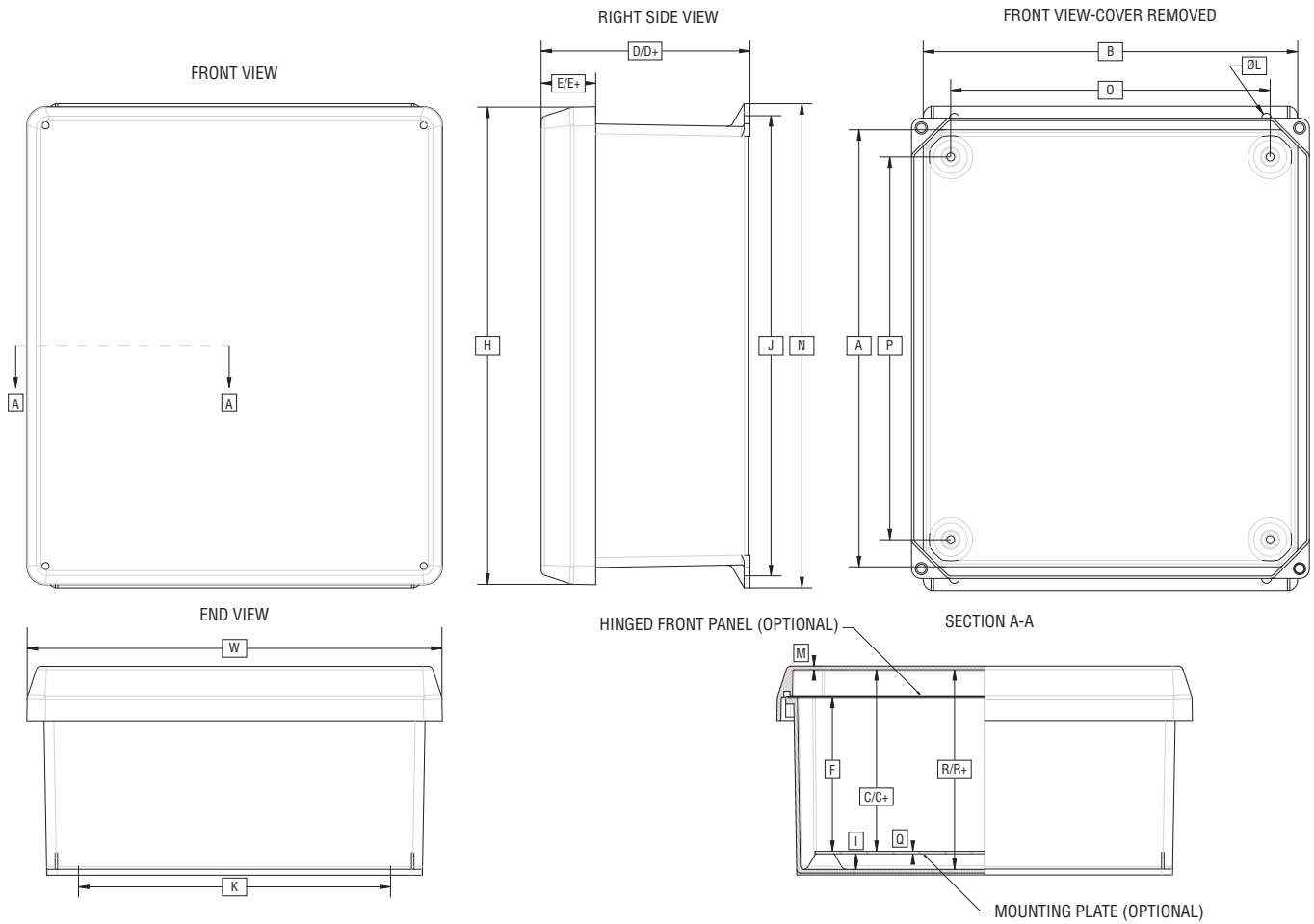
- All CVJ enclosures are UL listed for NEMA 3, 3R, 4, 4X, 12 & 13; CSA Certified per Standard C22.2- 0, 0.4, 0.7, 0.6, 94 Type 3, 3R, 4, 4X, 12 & 13.

OPTIONAL ACCESSORIES

- Aluminum, Painted Steel or non-metallic Mounting Plates
- Aluminum Hinged Front Plates
- Aluminum Front Plates with quarter turn brackets
- MEDV Air Vents
- Backpanel stand-offs in four different lengths

| Clear Cover, N-M Hinges Padlock Latch(es) | Outside Dimension | | | Inside Dimension | | | Weight | Mounting Plates* | | | Dimensions | Front Panels | |
|---|----------------------|------------------|-----------------|---------------------|------------------|-----------------|--------------------|------------------|---------|--------------|------------------------------|--------------|-----------|
| | H | W | D | A | B | C | | Aluminum | Steel | Non-Metallic | | Plain | Hinged |
| CVJ606NHWPL1 (mm) | 7.31 (185.8) | 7.31 (185.8) | 4.96 (126.0) | 6.00 (152.4) | 6.00 (152.4) | 4.21 (107.0) | 2.8 lb 1.27 kg | MP606A | MP606S | MP606N | 4.88 x 4.88 (124 x 124) | VFP606A | VFPH606A |
| CVJ806NHWPL1 (mm) | 9.31 (236.6) | 7.31 (185.8) | 4.96 (126.0) | 8.00 (203.2) | 6.00 (152.4) | 4.21 (107.0) | 3.8 lb 1.72 kg | MP806A | MP806S | MP806N | 6.75 x 4.88 (171 x 124) | VFP806A | VFPH806A |
| CVJ1008NHWPL1 (mm) | 11.31 (287.4) | 9.31 (236.6) | 5.43 (138.0) | 10.00 (254.0) | 8.00 (203.2) | 4.69 (119.0) | 4.8 lb 2.17 kg | MP1008A | MP1008S | MP1008N | 8.75 x 6.88 (222 x 175) | VFP1008A | VFPH1008A |
| CVJ1210NHWPL2 (mm) | 13.31 (338.2) | 11.31 (287.4) | 5.59 (142.0) | 12.00 (304.8) | 10.00 (254.0) | 4.84 (123.0) | 6.3 lb 2.85 kg | MP1210A | MP1210S | MP1210N | 10.50 x 8.88 (267 x 226) | VFP1210A | VFPH1210A |
| CVJ1412NHWPL2 (mm) | 15.32 (389) | 13.30 (338) | 6.70 (170.0) | 14.00 (355.6) | 12.00 (304.8) | 5.82 (147.8) | 8.6 lb 3.90 kg | MP1412A | MP1412S | MP1412N | 12.75 x 10.88 (324 x 276) | VFP1412A | VFPH1412A |
| CVJ1614NHWPL2 (mm) | 17.31 (439.8) | 15.31 (389) | 6.69 (170.0) | 16.00 (406.4) | 14.00 (355.6) | 5.82 (147.8) | 10.6 lb 4.80 kg | MP1614A | MP1614S | MP1614N | 14.75 x 12.88 (375 x 327) | VFP1614A | VFPH1614A |
| CVJ1816NHWPL2 (mm) | 19.31 (490.6) | 17.31 (439.8) | 9.57 (243.0) | 18.00 (457.2) | 16.00 (406.4) | 8.69 (220.8) | 14.0 lb 6.34 kg | MP1816A | MP1816S | MP1816N | 16.75 x 14.88 (426 x 378) | VFP1816A | VFPH1816A |

- * A aluminum back panel (.080" material thickness)
 S painted steel back panel (.060" material thickness)
 N non-metallic back panel (.187" material thickness)



| Clear Cover, N-M Hinges Padlock Latch(es) | Dimensions | | | | | | | | | | | | Window | | Latch Spacing |
|---|----------------|-----------------|----------------|------------------|------------------|---------------|---------------|------------------|------------------|------------------|---------------|-----------------|----------------|----------------|------------------|
| | E | F | I | J | K | L | M | N | O | P | Q | R | Ht | Wd | |
| CVJ606NHWPL1 (mm) | 1.38 (35.0) | 3.76 (95.5) | 0.37 (9.5) | 6.75 (171.5) | 4.00 (101.6) | 0.31 (8.0) | 0.12 (3.0) | 7.50 (190.5) | 4.25 (108.0) | 4.25 (108.0) | 0.08 (2.0) | 4.67 (118.5) | 6.00 (152) | 6.00 (152) | Ctr - |
| CVJ806NHWPL1 (mm) | 1.38 (35.0) | 3.76 (95.5) | 0.37 (9.5) | 8.75 (222.2) | 4.00 (101.6) | 0.31 (8.0) | 0.12 (3.0) | 9.50 (241.2) | 4.25 (108.0) | 6.26 (159.0) | 0.08 (2.0) | 4.67 (118.5) | 8.00 (203) | 6.00 (152) | Ctr - |
| CVJ1008NHWPL1 (mm) | 1.62 (41.2) | 4.01 (101.8) | 0.37 (9.5) | 10.75 (273.0) | 6.00 (152.5) | 0.31 (8.0) | 0.12 (3.0) | 11.50 (292.0) | 6.24 (158.5) | 8.25 (209.5) | 0.08 (2.0) | 5.14 (130.5) | 10.00 (254) | 8.00 (203) | Ctr - |
| CVJ1210NHWPL2 (mm) | 1.62 (41.2) | 4.13 (105.0) | 0.37 (9.5) | 12.76 (324.0) | 8.00 (203.2) | 0.31 (8.0) | 0.12 (3.0) | 13.50 (343.0) | 8.25 (209.5) | 10.26 (260.5) | 0.08 (2.0) | 5.30 (134.5) | 12.00 (305) | 10.00 (254) | 7.09 (180) |
| CVJ1412NHWPL2 (mm) | 1.75 (44.4) | 4.92 (125.0) | 0.50 (12.7) | 14.75 (374.6) | 10.00 (254.0) | 0.31 (8.0) | 0.12 (3.0) | 15.51 (394.0) | 10.24 (260.0) | 12.26 (311.5) | 0.08 (2.0) | 6.40 (162.5) | 14.00 (356) | 12.00 (305) | 9.56 (2.43) |
| CVJ1614NHWPL2 (mm) | 1.75 (44.4) | 5.01 (127.3) | 0.50 (12.7) | 16.75 (425.5) | 12.01 (305.0) | 0.31 (8.0) | 0.12 (3.0) | 17.52 (445.0) | 12.24 (311.0) | 14.25 (362.0) | 0.08 (2.0) | 6.40 (162.5) | 16.00 (406) | 14.00 (356) | 9.56 (243) |
| CVJ1816NHWPL2 (mm) | 1.75 (44.4) | 7.89 (200.3) | 0.50 (12.7) | 18.75 (476.2) | 12.01 (305.0) | 0.31 (8.0) | 0.12 (3.0) | 19.49 (495.0) | 14.25 (362.0) | 16.26 (413.0) | 0.08 (2.0) | 9.27 (235.5) | 18.00 (457) | 16.00 (406) | 11.25 (289) |

FRP NEMA rating 3, 3R, 4, 4X, 12 & 13 CVJ Series with Stainless Steel Twist Latch(es) and 2 Non-metallic Hinges. Clearview Bonded Window on Cover



FEATURES

- All CVJ Series enclosures are designed to meet the Joint Industrial Council (JIC) standards in the United States.
- CVJ's are made from corrosion resistant hot compression molded fiberglass reinforced polyester with transparent lexana windows. These enclosures do not contain halogens.
- The CVJ Series "NHWLL" enclosures include one or two stainless steel twist latches to secure one side of the cover to the base with two non-metallic hinges that secures the other. Self-tapping screws connect the hinges to the cover and base.
- Seven sizes are available from 6" x 6" to 18" x 16"
- Vynckier's CVJ enclosures are capable of withstanding continuous temperatures from -58°F (-50°C) up to 302°F (150°C).
- CVJ enclosures provide protection for equipment and operators from indirect electrical contact.

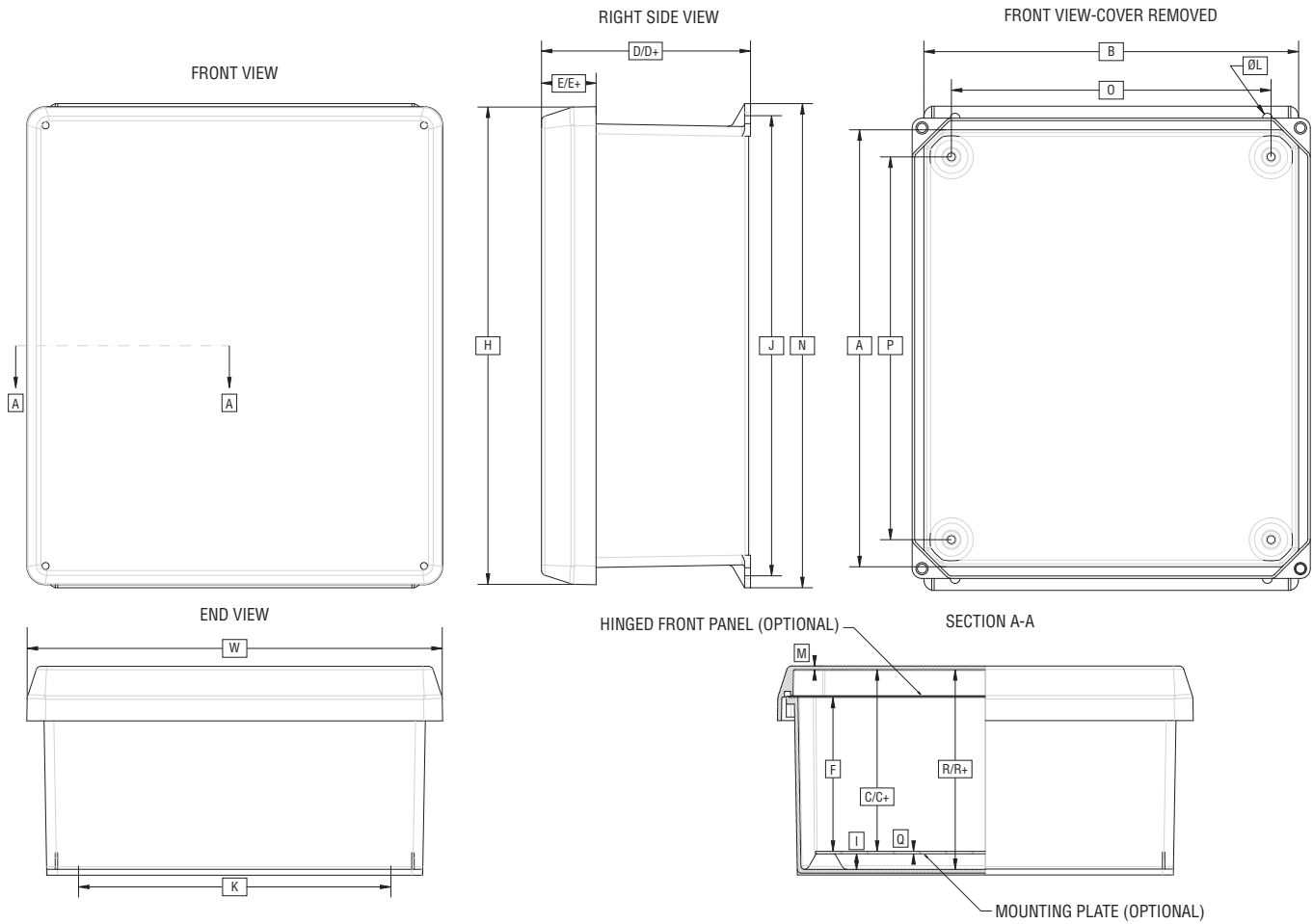
- All CVJ enclosures are UL listed for NEMA 3, 3R, 4, 4X, 12 & 13; CSA Certified per Standard C22.2- 0, 0.4, 0.7, 0.6, 94 Type 3, 3R, 4, 4X, 12 & 13.

OPTIONAL ACCESSORIES

- Aluminum, Painted Steel or non-metallic Mounting Plates
- Aluminum Hinged Front Plates
- Aluminum Front Plates with quarter turn brackets
- MEDV Air Vents
- Backpanel stand-offs in four different lengths

| Clear Cover, N-M Hinges Twist Latch(es) | Outside Dimension | | | Inside Dimension | | | Weight | Mounting Plates* | | | Dimensions | Front Panels | |
|---|----------------------|------------------|-----------------|---------------------|------------------|-----------------|--------------------|------------------|---------|--------------|------------------------------|--------------|-----------|
| | H | W | D | A | B | C | | Aluminum | Steel | Non-Metallic | | Plain | Hinged |
| CVJ606NHWLL1 (mm) | 7.31 (185.8) | 7.31 (185.8) | 4.96 (126.0) | 6.00 (152.4) | 6.00 (152.4) | 4.21 (107.0) | 2.8 lb 1.27 kg | MP606A | MP606S | MP606N | 4.88 x 4.88 (124 x 124) | VFP606A | VFPH606A |
| CVJ806NHWLL1 (mm) | 9.31 (236.6) | 7.31 (185.8) | 4.96 (126.0) | 8.00 (203.2) | 6.00 (152.4) | 4.21 (107.0) | 3.8 lb 1.72 kg | MP806A | MP806S | MP806N | 6.75 x 4.88 (171 x 124) | VFP806A | VFPH806A |
| CVJ1008NHWLL1 (mm) | 11.31 (287.4) | 9.31 (236.6) | 5.43 (138.0) | 10.00 (254.0) | 8.00 (203.2) | 4.69 (119.0) | 4.8 lb 2.17 kg | MP1008A | MP1008S | MP1008N | 8.75 x 6.88 (222 x 175) | VFP1008A | VFPH1008A |
| CVJ1210NHWLL2 (mm) | 13.31 (338.2) | 11.31 (287.4) | 5.59 (142.0) | 12.00 (304.8) | 10.00 (254.0) | 4.84 (123.0) | 6.3 lb 2.85 kg | MP1210A | MP1210S | MP1210N | 10.50 x 8.88 (267 x 226) | VFP1210A | VFPH1210A |
| CVJ1412NHWLL2 (mm) | 15.32 (389) | 13.30 (338) | 6.70 (170.0) | 14.00 (355.6) | 12.00 (304.8) | 5.82 (147.8) | 8.6 lb 3.90 kg | MP1412A | MP1412S | MP1412N | 12.75 x 10.88 (324 x 276) | VFP1412A | VFPH1412A |
| CVJ1614NHWLL2 (mm) | 17.31 (439.8) | 15.31 (389) | 6.69 (170.0) | 16.00 (406.4) | 14.00 (355.6) | 5.82 (147.8) | 10.6 lb 4.80 kg | MP1614A | MP1614S | MP1614N | 14.75 x 12.88 (375 x 327) | VFP1614A | VFPH1614A |
| CVJ1816NHWLL2 (mm) | 19.31 (490.6) | 17.31 (439.8) | 9.57 (243.0) | 18.00 (457.2) | 16.00 (406.4) | 8.69 (220.8) | 14.0 lb 6.34 kg | MP1816A | MP1816S | MP1816N | 16.75 x 14.88 (426 x 378) | VFP1816A | VFPH1816A |

* A aluminum back panel (.080" material thickness)
 S painted steel back panel (.060" material thickness)
 N non-metallic back panel (.187" material thickness)



| Clear Cover, N-M Hinges Twist Latch(es) | Dimensions | | | | | | | | | | | | Window | | Latch Spacing |
|---|----------------|-----------------|----------------|------------------|------------------|---------------|---------------|------------------|------------------|------------------|---------------|-----------------|----------------|----------------|------------------|
| | E | F | I | J | K | L | M | N | O | P | Q | R | Ht | Wd | |
| CVJ606NHWLL1 (mm) | 1.38 (35.0) | 3.76 (95.5) | 0.37 (9.5) | 6.75 (171.5) | 4.00 (101.6) | 0.31 (8.0) | 0.12 (3.0) | 7.50 (190.5) | 4.25 (108.0) | 4.25 (108.0) | 0.08 (2.0) | 4.67 (118.5) | 6.00 (152) | 6.00 (152) | Ctr - |
| CVJ806NHWLL1 (mm) | 1.38 (35.0) | 3.76 (95.5) | 0.37 (9.5) | 8.75 (222.2) | 4.00 (101.6) | 0.31 (8.0) | 0.12 (3.0) | 9.50 (241.2) | 4.25 (108.0) | 6.26 (159.0) | 0.08 (2.0) | 4.67 (118.5) | 8.00 (203) | 6.00 (152) | Ctr - |
| CVJ1008NHWLL1 (mm) | 1.62 (41.2) | 4.01 (101.8) | 0.37 (9.5) | 10.75 (273.0) | 6.00 (152.5) | 0.31 (8.0) | 0.12 (3.0) | 11.50 (292.0) | 6.24 (158.5) | 8.25 (209.5) | 0.08 (2.0) | 5.14 (130.5) | 10.00 (254) | 8.00 (203) | Ctr - |
| CVJ1210NHWLL2 (mm) | 1.62 (41.2) | 4.13 (105.0) | 0.37 (9.5) | 12.76 (324.0) | 8.00 (203.2) | 0.31 (8.0) | 0.12 (3.0) | 13.50 (343.0) | 8.25 (209.5) | 10.26 (260.5) | 0.08 (2.0) | 5.30 (134.5) | 12.00 (305) | 10.00 (254) | 7.09 (180) |
| CVJ1412NHWLL2 (mm) | 1.75 (44.4) | 4.92 (125.0) | 0.50 (12.7) | 14.75 (374.6) | 10.00 (254.0) | 0.31 (8.0) | 0.12 (3.0) | 15.51 (394.0) | 10.24 (260.0) | 12.26 (311.5) | 0.08 (2.0) | 6.40 (162.5) | 14.00 (356) | 12.00 (305) | 9.56 (2.43) |
| CVJ1614NHWLL2 (mm) | 1.75 (44.4) | 5.01 (127.3) | 0.50 (12.7) | 16.75 (425.5) | 12.01 (305.0) | 0.31 (8.0) | 0.12 (3.0) | 17.52 (445.0) | 12.24 (311.0) | 14.25 (362.0) | 0.08 (2.0) | 6.40 (162.5) | 16.00 (406) | 14.00 (356) | 9.56 (243) |
| CVJ1816NHWLL2 (mm) | 1.75 (44.4) | 7.89 (200.3) | 0.50 (12.7) | 18.75 (476.2) | 12.01 (305.0) | 0.31 (8.0) | 0.12 (3.0) | 19.49 (495.0) | 14.25 (362.0) | 16.26 (413.0) | 0.08 (2.0) | 9.27 (235.5) | 18.00 (457) | 16.00 (406) | 11.25 (289) |

FRP NEMA rating 3, 3R, 4, 4X, 12 & 13 VJB Series with 4 Captive Stainless Steel Cover Screws. Bonded Window on Cover



FEATURES

- All VJB Series enclosures are designed to meet the Joint Industrial Council (JIC) standards in the United States.
- VJB's are made from corrosion resistant hot compression molded fiberglass reinforced polyester with transparent lexana windows. These enclosures do not contain halogens.
- The VJB Series "W" enclosures include four stainless steel captive screws that secure the cover to the base by means of four threaded brass inserts contained in the base.
- Seven sizes are available from 6" x 6" to 18" x 16"
- Vynckier's VJB enclosures are capable of withstanding continuous temperatures from -58°F (-50°C) up to 302°F (150°C).
- VJB enclosures provide protection for equipment and operators from indirect electrical contact.

- All VJB enclosures are UL listed for NEMA 3, 3R, 4, 4X, 12 & 13; CSA Certified per Standard C22.2- 0, 0.4, 0.7, 0.6, 94 Type 3, 3R, 4, 4X, 12 & 13.

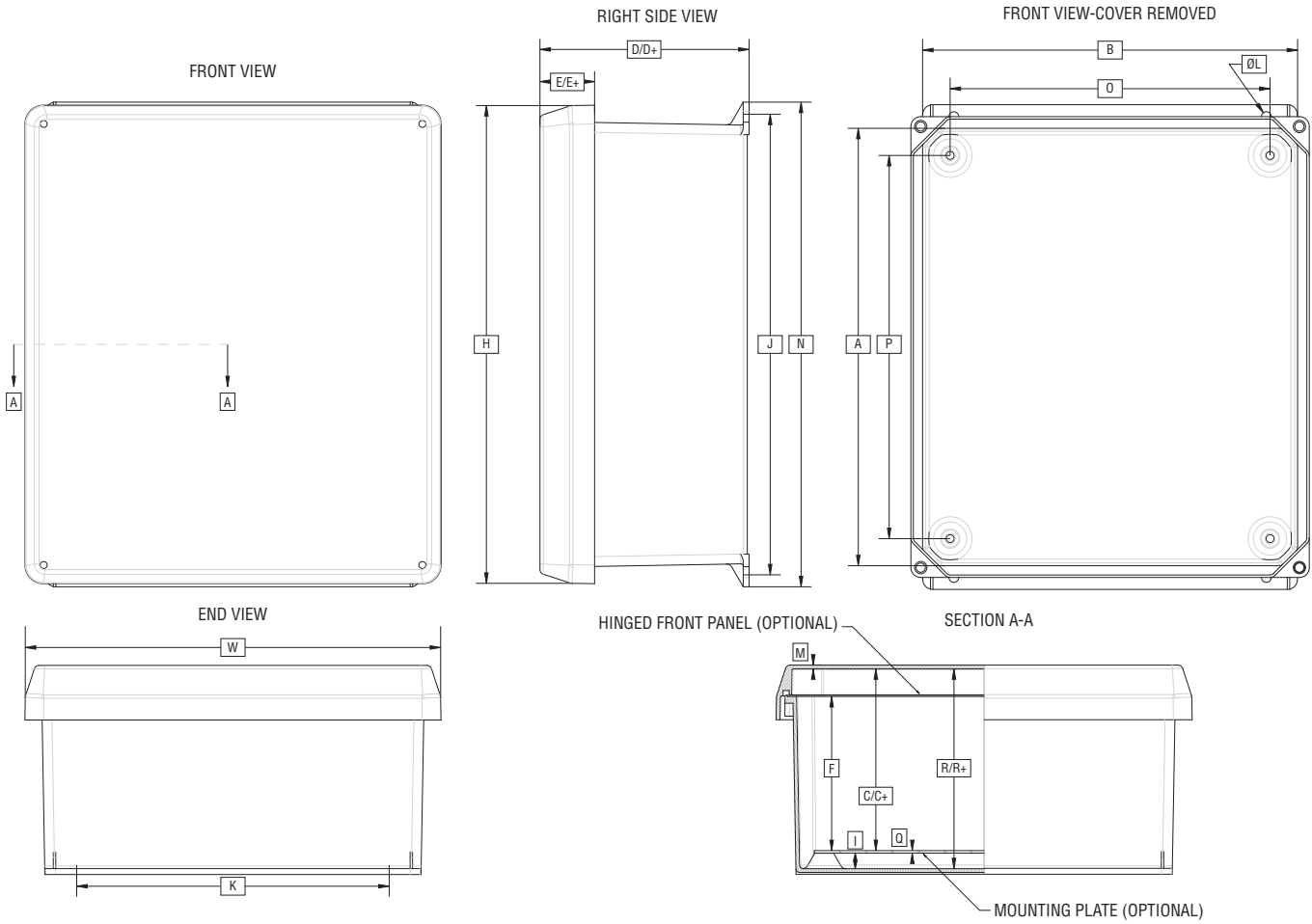
OPTIONAL ACCESSORIES

- Aluminum, Painted Steel or non-metallic Mounting Plates
- Aluminum Hinged Front Plates
- Aluminum Front Plates with quarter turn brackets
- MEDV Air Vents
- Backpanel stand-offs in four different lengths

| Part Numbers Bonded Window Screw Cover | Outside Dimension | | | Inside Dimension | | | Weight | Mounting Plates* | | | Dimensions | Front Panels | |
|--|-------------------|------------------|-----------------|------------------|------------------|-----------------|--------------------|------------------|---------|--------------|------------------------------|--------------|-----------|
| | H | W | D | A | B | C | | Aluminum | Steel | Non-Metallic | | Plain | Hinged |
| VJB606W (mm) | 7.31 (185.8) | 7.31 (185.8) | 4.96 (126.0) | 6.00 (152.4) | 6.00 (152.4) | 4.21 (107.0) | 2.8 lb 1.27 kg | MP606A | MP606S | MP606N | 4.88 x 4.88 (124 x 124) | VFP606A | VFPH606A |
| VJB806W (mm) | 9.31 (236.6) | 7.31 (185.8) | 4.96 (126.0) | 8.00 (203.2) | 6.00 (152.4) | 4.21 (107.0) | 3.8 lb 1.72 kg | MP806A | MP806S | MP806N | 6.75 x 4.88 (171 x 124) | VFP806A | VFPH806A |
| VJB1008W (mm) | 11.31 (287.4) | 9.31 (236.6) | 5.43 (138.0) | 10.00 (254.0) | 8.00 (203.2) | 4.69 (119.0) | 4.8 lb 2.17 kg | MP1008A | MP1008S | MP1008N | 8.75 x 6.88 (222 x 175) | VFP1008A | VFPH1008A |
| VJB1210W (mm) | 13.31 (338.2) | 11.31 (287.4) | 5.59 (142.0) | 12.00 (304.8) | 10.00 (254.0) | 4.84 (123.0) | 6.3 lb 2.85 kg | MP1210A | MP1210S | MP1210N | 10.50 x 8.88 (267 x 226) | VFP1210A | VFPH1210A |
| VJB1412W (mm) | 15.32 (389) | 13.30 (338) | 6.70 (170.0) | 14.00 (355.6) | 12.00 (304.8) | 5.82 (147.8) | 8.6 lb 3.90 kg | MP1412A | MP1412S | MP1412N | 12.75 x 10.88 (324 x 276) | VFP1412A | VFPH1412A |
| VJB1614W (mm) | 17.31 (439.8) | 15.31 (389) | 6.69 (170.0) | 16.00 (406.4) | 14.00 (355.6) | 5.82 (147.8) | 10.6 lb 4.80 kg | MP1614A | MP1614S | MP1614N | 14.75 x 12.88 (375 x 327) | VFP1614A | VFPH1614A |
| VJB1816W (mm) | 19.31 (490.6) | 17.31 (439.8) | 9.57 (243.0) | 18.00 (457.2) | 16.00 (406.4) | 8.69 (220.8) | 14.0 lb 6.34 kg | MP1816A | MP1816S | MP1816N | 16.75 x 14.88 (426 x 378) | VFP1816A | VFPH1816A |

- * A aluminum back panel (.080" material thickness)
 S painted steel back panel (.060" material thickness)
 N non-metallic back panel (.187" material thickness)

Consult factory for custom size bonded window



| Part Numbers Bonded Window Screw Cover | Dimensions | | | | | | | | | | | | Window | |
|--|----------------|-----------------|----------------|------------------|------------------|---------------|---------------|------------------|------------------|------------------|---------------|-----------------|----------------|----------------|
| | E | F | I | J | K | L | M | N | O | P | Q | R | Height | Width |
| VJB606W (mm) | 1.38 (35.0) | 3.76 (95.5) | 0.37 (9.5) | 6.75 (171.5) | 4.00 (101.6) | 0.31 (8.0) | 0.12 (3.0) | 7.50 (190.5) | 4.25 (108.0) | 4.25 (108.0) | 0.08 (2.0) | 4.67 (118.5) | 4.00 (102) | 4.00 (102) |
| VJB806W (mm) | 1.38 (35.0) | 3.76 (95.5) | 0.37 (9.5) | 8.75 (222.2) | 4.00 (101.6) | 0.31 (8.0) | 0.12 (3.0) | 9.50 (241.2) | 4.25 (108.0) | 6.26 (159.0) | 0.08 (2.0) | 4.67 (118.5) | 6.00 (152) | 4.00 (102) |
| VJB1008W (mm) | 1.62 (41.2) | 4.01 (101.8) | 0.37 (9.5) | 10.75 (273.0) | 6.00 (152.5) | 0.31 (8.0) | 0.12 (3.0) | 11.50 (292.0) | 6.24 (158.5) | 8.25 (209.5) | 0.08 (2.0) | 5.14 (130.5) | 8.00 (203) | 6.00 (152) |
| VJB1210W (mm) | 1.62 (41.2) | 4.13 (105.0) | 0.37 (9.5) | 12.76 (324.0) | 8.00 (203.2) | 0.31 (8.0) | 0.12 (3.0) | 13.50 (343.0) | 8.25 (209.5) | 10.26 (260.5) | 0.08 (2.0) | 5.30 (134.5) | 10.00 (254) | 8.00 (203) |
| VJB1412W (mm) | 1.75 (44.4) | 4.92 (125.0) | 0.50 (12.7) | 14.75 (374.6) | 10.00 (254.0) | 0.31 (8.0) | 0.12 (3.0) | 15.51 (394.0) | 10.24 (260.0) | 12.26 (311.5) | 0.08 (2.0) | 6.40 (162.5) | 12.00 (305) | 10.00 (254) |
| VJB1614W (mm) | 1.75 (44.4) | 5.01 (127.3) | 0.50 (12.7) | 16.75 (425.5) | 12.01 (305.0) | 0.31 (8.0) | 0.12 (3.0) | 17.52 (445.0) | 12.24 (311.0) | 14.25 (362.0) | 0.08 (2.0) | 6.40 (162.5) | 14.00 (356) | 12.00 (305) |
| VJB1816W (mm) | 1.75 (44.4) | 7.89 (200.3) | 0.50 (12.7) | 18.75 (476.2) | 12.01 (305.0) | 0.31 (8.0) | 0.12 (3.0) | 19.49 (495.0) | 14.25 (362.0) | 16.26 (413.0) | 0.08 (2.0) | 9.27 (235.5) | 16.00 (406) | 14.00 (356) |

FRP NEMA rating 3, 3R, 4, 4X, 12 & 13 VJB Series with 2 Captive Stainless Steel Cover Screws and a Stainless Steel Piano Hinge. Bonded Window on Cover



FEATURES

- All VJB Series enclosures are designed to meet the Joint Industrial Council (JIC) standards in the United States.
- VJB's are made from corrosion resistant hot compression molded fiberglass reinforced polyester with transparent lexana windows. These enclosures do not contain halogens.
- The VJB Series "HW" enclosures include two stainless steel captive screws and a stainless steel piano hinge that secure the cover to the base. Two threaded brass inserts contained in the base secure the cover screws, rivets connect the hinge to the cover and self-tapping screws connect the hinge to the base.
- Seven sizes are available from 6" x 6" to 18" x 16"
- Vynckier's VJB enclosures are capable of withstanding continuous temperatures from -58°F (-50°C) up to 302°F (150°C).
- VJB enclosures provide protection for equipment and operators from indirect electrical contact.

- All VJB enclosures are UL listed for NEMA 3, 3R, 4, 4X, 12 & 13; CSA Certified per Standard C22.2- 0, 0.4, 0.7, 0.6, 94 Type 3, 3R, 4, 4X, 12 & 13.

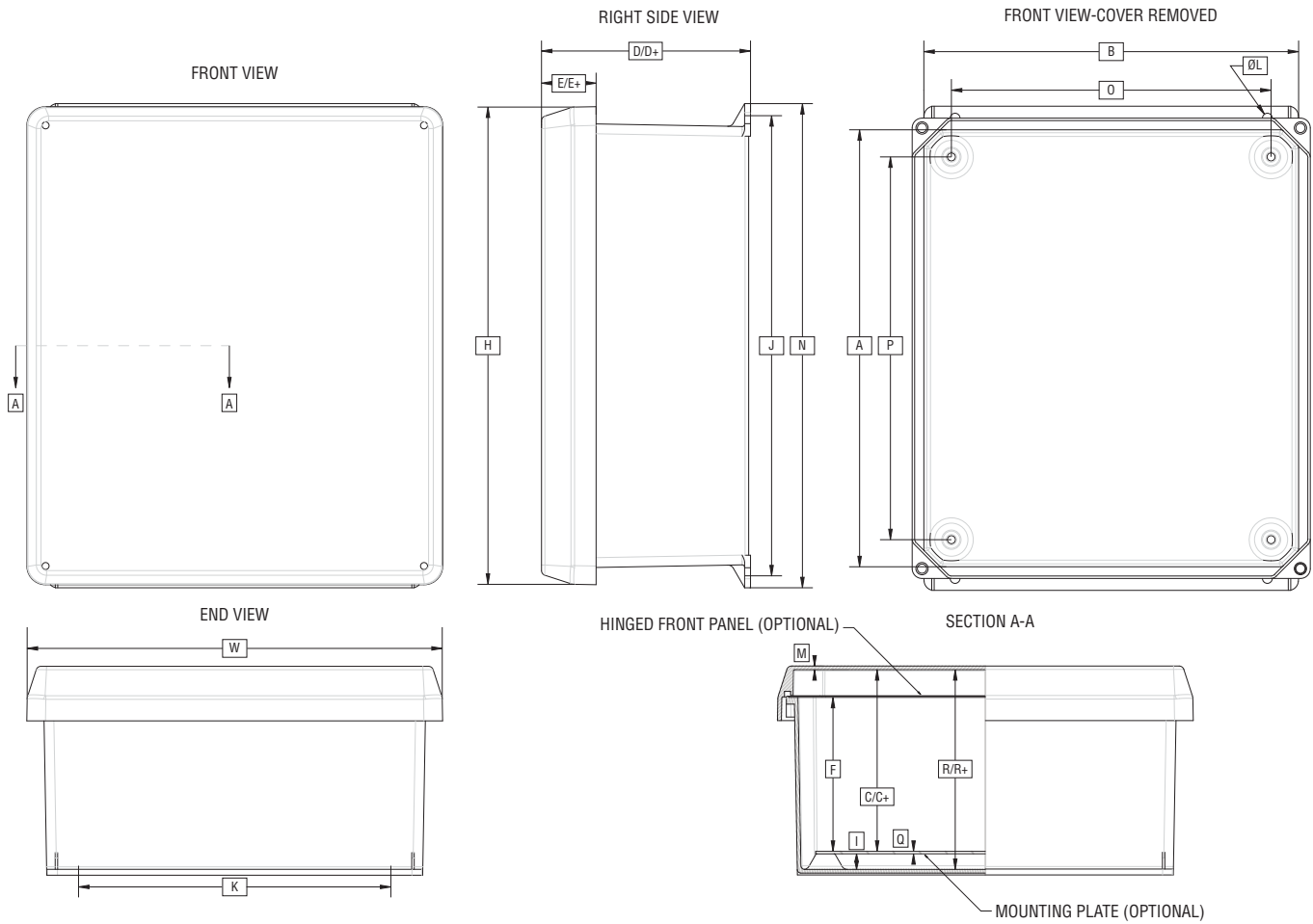
OPTIONAL ACCESSORIES

- Aluminum, Painted Steel or non-metallic Mounting Plates
- Aluminum Hinged Front Plates
- Aluminum Front Plates with quarter turn brackets
- MEDV Air Vents
- Backpanel stand-offs in four different lengths

| Part Numbers Bonded Window SS Hinge | Outside Dimension | | | Inside Dimension | | | Weight | Mounting Plates* | | | | Front Panels | |
|---|-------------------|------------------|-----------------|------------------|------------------|-----------------|--------------------|------------------|---------|--------------|------------------------------|--------------|-----------|
| | H | W | D | A | B | C | | Aluminum | Steel | Non-Metallic | Dimensions | Plain | Hinged |
| VJB606HW (mm) | 7.31 (185.8) | 7.31 (185.8) | 4.96 (126.0) | 6.00 (152.4) | 6.00 (152.4) | 4.21 (107.0) | 2.8 lb 1.27 kg | MP606A | MP606S | MP606N | 4.88 x 4.88 (124 x 124) | VFP606A | VFPH606A |
| VJB806HW (mm) | 9.31 (236.6) | 7.31 (185.8) | 4.96 (126.0) | 8.00 (203.2) | 6.00 (152.4) | 4.21 (107.0) | 3.8 lb 1.72 kg | MP806A | MP806S | MP806N | 6.75 x 4.88 (171 x 124) | VFP806A | VFPH806A |
| VJB1008HW (mm) | 11.31 (287.4) | 9.31 (236.6) | 5.43 (138.0) | 10.00 (254.0) | 8.00 (203.2) | 4.69 (119.0) | 4.8 lb 2.17 kg | MP1008A | MP1008S | MP1008N | 8.75 x 6.88 (222 x 175) | VFP1008A | VFPH1008A |
| VJB1210HW (mm) | 13.31 (338.2) | 11.31 (287.4) | 5.59 (142.0) | 12.00 (304.8) | 10.00 (254.0) | 4.84 (123.0) | 6.3 lb 2.85 kg | MP1210A | MP1210S | MP1210N | 10.50 x 8.88 (267 x 226) | VFP1210A | VFPH1210A |
| VJB1412HW (mm) | 15.32 (389) | 13.30 (338) | 6.70 (170.0) | 14.00 (355.6) | 12.00 (304.8) | 5.82 (147.8) | 8.6 lb 3.90 kg | MP1412A | MP1412S | MP1412N | 12.75 x 10.88 (324 x 276) | VFP1412A | VFPH1412A |
| VJB1614HW (mm) | 17.31 (439.8) | 15.31 (389) | 6.69 (170.0) | 16.00 (406.4) | 14.00 (355.6) | 5.82 (147.8) | 10.6 lb 4.80 kg | MP1614A | MP1614S | MP1614N | 14.75 x 12.88 (375 x 327) | VFP1614A | VFPH1614A |
| VJB1816HW (mm) | 19.31 (490.6) | 17.31 (439.8) | 9.57 (243.0) | 18.00 (457.2) | 16.00 (406.4) | 8.69 (220.8) | 14.0 lb 6.34 kg | MP1816A | MP1816S | MP1816N | 16.75 x 14.88 (426 x 378) | VFP1816A | VFPH1816A |

* A aluminum back panel (.080" material thickness)
 S painted steel back panel (.060" material thickness)
 N non-metallic back panel (.187" material thickness)

Consult factory for custom size bonded window



| Part Numbers Bonded Window SS Hinge | Dimensions | | | | | | | | | | | | Window | |
|---|----------------|-----------------|----------------|------------------|------------------|---------------|---------------|------------------|------------------|------------------|---------------|-----------------|----------------|----------------|
| | E | F | I | J | K | L | M | N | O | P | Q | R | Height | Width |
| VJB606HW (mm) | 1.38 (35.0) | 3.76 (95.5) | 0.37 (9.5) | 6.75 (171.5) | 4.00 (101.6) | 0.31 (8.0) | 0.12 (3.0) | 7.50 (190.5) | 4.25 (108.0) | 4.25 (108.0) | 0.08 (2.0) | 4.67 (118.5) | 4.00 (102) | 4.00 (102) |
| VJB806HW (mm) | 1.38 (35.0) | 3.76 (95.5) | 0.37 (9.5) | 8.75 (222.2) | 4.00 (101.6) | 0.31 (8.0) | 0.12 (3.0) | 9.50 (241.2) | 4.25 (108.0) | 6.26 (159.0) | 0.08 (2.0) | 4.67 (118.5) | 6.00 (152) | 4.00 (102) |
| VJB1008HW (mm) | 1.62 (41.2) | 4.01 (101.8) | 0.37 (9.5) | 10.75 (273.0) | 6.00 (152.5) | 0.31 (8.0) | 0.12 (3.0) | 11.50 (292.0) | 6.24 (158.5) | 8.25 (209.5) | 0.08 (2.0) | 5.14 (130.5) | 8.00 (203) | 6.00 (152) |
| VJB1210HW (mm) | 1.62 (41.2) | 4.13 (105.0) | 0.37 (9.5) | 12.76 (324.0) | 8.00 (203.2) | 0.31 (8.0) | 0.12 (3.0) | 13.50 (343.0) | 8.25 (209.5) | 10.26 (260.5) | 0.08 (2.0) | 5.30 (134.5) | 10.00 (254) | 8.00 (203) |
| VJB1412HW (mm) | 1.75 (44.4) | 4.92 (125.0) | 0.50 (12.7) | 14.75 (374.6) | 10.00 (254.0) | 0.31 (8.0) | 0.12 (3.0) | 15.51 (394.0) | 10.24 (260.0) | 12.26 (311.5) | 0.08 (2.0) | 6.40 (162.5) | 12.00 (305) | 10.00 (254) |
| VJB1614HW (mm) | 1.75 (44.4) | 5.01 (127.3) | 0.50 (12.7) | 16.75 (425.5) | 12.01 (305.0) | 0.31 (8.0) | 0.12 (3.0) | 17.52 (445.0) | 12.24 (311.0) | 14.25 (362.0) | 0.08 (2.0) | 6.40 (162.5) | 14.00 (356) | 12.00 (305) |
| VJB1816HW (mm) | 1.75 (44.4) | 7.89 (200.3) | 0.50 (12.7) | 18.75 (476.2) | 12.01 (305.0) | 0.31 (8.0) | 0.12 (3.0) | 19.49 (495.0) | 14.25 (362.0) | 16.26 (413.0) | 0.08 (2.0) | 9.27 (235.5) | 16.00 (406) | 14.00 (356) |

FRP NEMA rating 3, 3R, 4, 4X, 12 & 13 VJB Series with Stainless Steel Padlockable Latch(s) and a Stainless Steel Piano Hinge. Bonded Window on Cover



FEATURES

- All VJB Series enclosures are designed to meet the Joint Industrial Council (JIC) standards in the United States.
- VJB's are made from corrosion resistant hot compression molded fiberglass reinforced polyester with transparent lexana windows. These enclosures do not contain halogens.
- The VJB Series "HWPL" enclosures include one or two stainless steel padlockable latches to secure one side of the cover to the base and a stainless steel piano hinge that secures the other. Rivets connect the hinge to the cover and self-tapping screws connect the screws to the base.
- Seven sizes are available from 6" x 6" to 18" x 16"
- Vynckier's VJB enclosures are capable of withstanding continuous temperatures from -58°F (-50°C) up to 302°F (150°C).
- VJB enclosures provide protection for equipment and operators from indirect electrical contact.

- All VJB enclosures are UL listed for NEMA 3, 3R, 4, 4X, 12 & 13; CSA Certified per Standard C22.2- 0, 0.4, 0.7, 0.6, 94 Type 3, 3R, 4, 4X, 12 & 13.

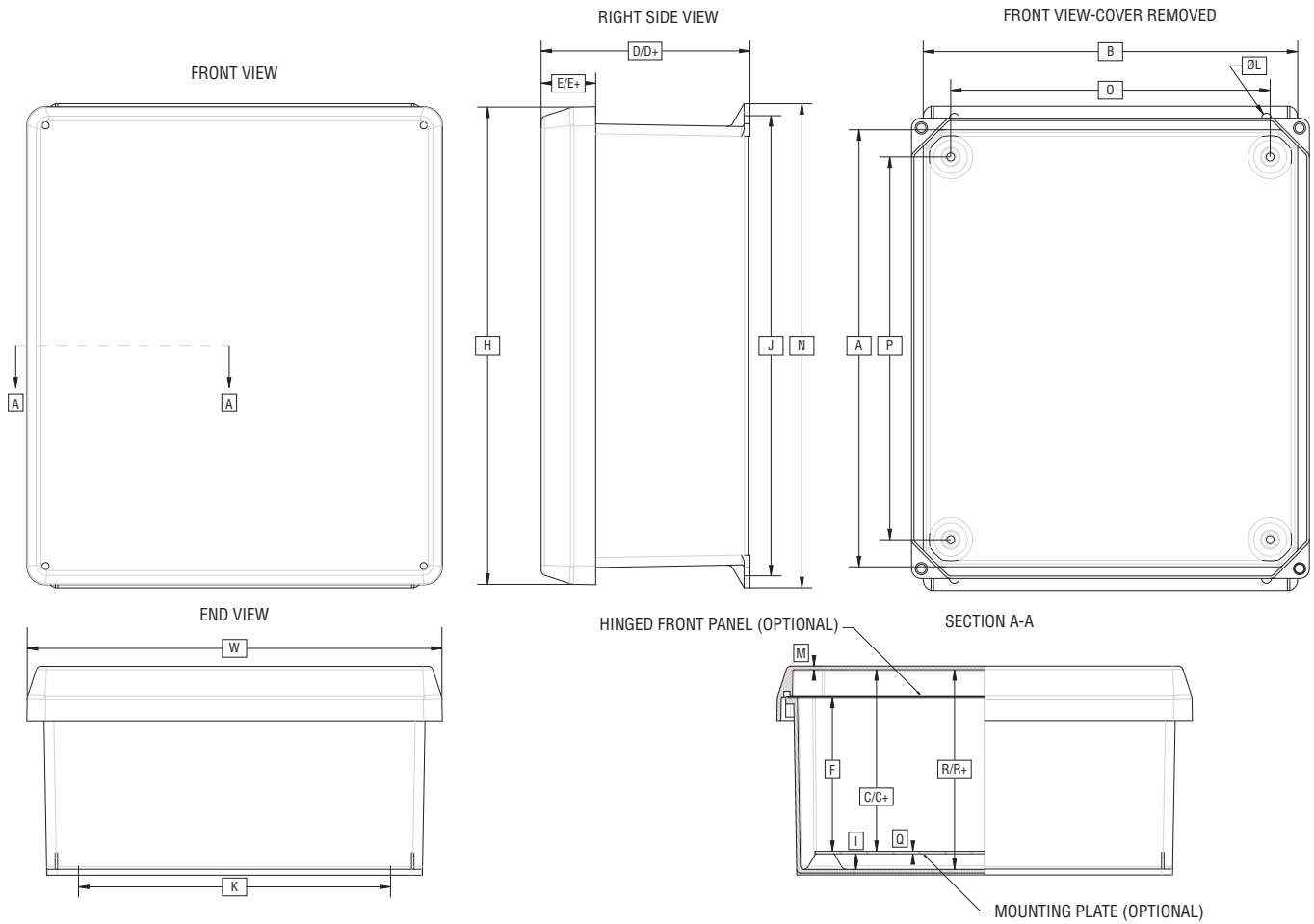
OPTIONAL ACCESSORIES

- Aluminum, Painted Steel or non-metallic Mounting Plates
- Aluminum Hinged Front Plates
- Aluminum Front Plates with quarter turn brackets
- MEDV Air Vents

| Bonded Window, SS Hinge Padlock Latch(es) | Outside Dimension | | | Inside Dimension | | | Weight | Mounting Plates* | | | | Front Panels | |
|---|----------------------|------------------|-----------------|---------------------|------------------|-----------------|--------------------|------------------|---------|--------------|------------------------------|--------------|-----------|
| | H | W | D | A | B | C | | Aluminum | Steel | Non-Metallic | Dimensions | Plain | Hinged |
| VJB606HWPL1 (mm) | 7.31 (185.8) | 7.31 (185.8) | 4.96 (126.0) | 6.00 (152.4) | 6.00 (152.4) | 4.21 (107.0) | 2.8 lb 1.27 kg | MP606A | MP606S | MP606N | 4.88 x 4.88 (124 x 124) | VFP606A | VFPH606A |
| VJB806HWPL1 (mm) | 9.31 (236.6) | 7.31 (185.8) | 4.96 (126.0) | 8.00 (203.2) | 6.00 (152.4) | 4.21 (107.0) | 3.8 lb 1.72 kg | MP806A | MP806S | MP806N | 6.75 x 4.88 (171 x 124) | VFP806A | VFPH806A |
| VJB1008HWPL1 (mm) | 11.31 (287.4) | 9.31 (236.6) | 5.43 (138.0) | 10.00 (254.0) | 8.00 (203.2) | 4.69 (119.0) | 4.8 lb 2.17 kg | MP1008A | MP1008S | MP1008N | 8.75 x 6.88 (222 x 175) | VFP1008A | VFPH1008A |
| VJB1210HWPL2 (mm) | 13.31 (338.2) | 11.31 (287.4) | 5.59 (142.0) | 12.00 (304.8) | 10.00 (254.0) | 4.84 (123.0) | 6.3 lb 2.85 kg | MP1210A | MP1210S | MP1210N | 10.50 x 8.88 (267 x 226) | VFP1210A | VFPH1210A |
| VJB1412HWPL2 (mm) | 15.32 (389) | 13.30 (338) | 6.70 (170.0) | 14.00 (355.6) | 12.00 (304.8) | 5.82 (147.8) | 8.6 lb 3.90 kg | MP1412A | MP1412S | MP1412N | 12.75 x 10.88 (324 x 276) | VFP1412A | VFPH1412A |
| VJB1614HWPL2 (mm) | 17.31 (439.8) | 15.31 (389) | 6.69 (170.0) | 16.00 (406.4) | 14.00 (355.6) | 5.82 (147.8) | 10.6 lb 4.80 kg | MP1614A | MP1614S | MP1614N | 14.75 x 12.88 (375 x 327) | VFP1614A | VFPH1614A |
| VJB1816HWPL2 (mm) | 19.31 (490.6) | 17.31 (439.8) | 9.57 (243.0) | 18.00 (457.2) | 16.00 (406.4) | 8.69 (220.8) | 14.0 lb 6.34 kg | MP1816A | MP1816S | MP1816N | 16.75 x 14.88 (426 x 378) | VFP1816A | VFPH1816A |

- * A aluminum back panel (.080" material thickness)
 S painted steel back panel (.060" material thickness)
 N non-metallic back panel (.187" material thickness)

Consult factory for custom size bonded window



| Bonded Window, SS Hinge Padlock Latch(es) | Dimensions | | | | | | | | | | | | Window | |
|---|----------------|-----------------|----------------|------------------|------------------|---------------|---------------|------------------|------------------|------------------|---------------|-----------------|----------------|----------------|
| | E | F | I | J | K | L | M | N | O | P | Q | R | Height | Width |
| VJB606HWPL1 (mm) | 1.38 (35.0) | 3.76 (95.5) | 0.37 (9.5) | 6.75 (171.5) | 4.00 (101.6) | 0.31 (8.0) | 0.12 (3.0) | 7.50 (190.5) | 4.25 (108.0) | 4.25 (108.0) | 0.08 (2.0) | 4.67 (118.5) | 4.00 (102) | 4.00 (102) |
| VJB806HWPL1 (mm) | 1.38 (35.0) | 3.76 (95.5) | 0.37 (9.5) | 8.75 (222.2) | 4.00 (101.6) | 0.31 (8.0) | 0.12 (3.0) | 9.50 (241.2) | 4.25 (108.0) | 6.26 (159.0) | 0.08 (2.0) | 4.67 (118.5) | 6.00 (152) | 4.00 (102) |
| VJB1008HWPL1 (mm) | 1.62 (41.2) | 4.01 (101.8) | 0.37 (9.5) | 10.75 (273.0) | 6.00 (152.5) | 0.31 (8.0) | 0.12 (3.0) | 11.50 (292.0) | 6.24 (158.5) | 8.25 (209.5) | 0.08 (2.0) | 5.14 (130.5) | 8.00 (203) | 6.00 (152) |
| VJB1210HWPL2 (mm) | 1.62 (41.2) | 4.13 (105.0) | 0.37 (9.5) | 12.76 (324.0) | 8.00 (203.2) | 0.31 (8.0) | 0.12 (3.0) | 13.50 (343.0) | 8.25 (209.5) | 10.26 (260.5) | 0.08 (2.0) | 5.30 (134.5) | 10.00 (254) | 8.00 (203) |
| VJB1412HWPL2 (mm) | 1.75 (44.4) | 4.92 (125.0) | 0.50 (12.7) | 14.75 (374.6) | 10.00 (254.0) | 0.31 (8.0) | 0.12 (3.0) | 15.51 (394.0) | 10.24 (260.0) | 12.26 (311.5) | 0.08 (2.0) | 6.40 (162.5) | 12.00 (305) | 10.00 (254) |
| VJB1614HWPL2 (mm) | 1.75 (44.4) | 5.01 (127.3) | 0.50 (12.7) | 16.75 (425.5) | 12.01 (305.0) | 0.31 (8.0) | 0.12 (3.0) | 17.52 (445.0) | 12.24 (311.0) | 14.25 (362.0) | 0.08 (2.0) | 6.40 (162.5) | 14.00 (356) | 12.00 (305) |
| VJB1816HWPL2 (mm) | 1.75 (44.4) | 7.89 (200.3) | 0.50 (12.7) | 18.75 (476.2) | 12.01 (305.0) | 0.31 (8.0) | 0.12 (3.0) | 19.49 (495.0) | 14.25 (362.0) | 16.26 (413.0) | 0.08 (2.0) | 9.27 (235.5) | 16.00 (406) | 14.00 (356) |

FRP NEMA rating 3, 3R, 4, 4X, 12 & 13 VJB Series with Stainless Steel Twist Latch(s) and a Stainless Steel Piano Hinge. Bonded Window on Cover



FEATURES

- All VJB Series enclosures are designed to meet the Joint Industrial Council (JIC) standards in the United States.
- VJB's are made from corrosion resistant hot compression molded fiberglass reinforced polyester with transparent lexana windows. These enclosures do not contain halogens.
- The VJB Series "HWLL" enclosures include one or two stainless steel twist latches to secure one side of the cover to the base and a stainless steel piano hinge that secures the other. Rivets connect the hinge to the cover and self-tapping screws connect the screws to the base.
- Seven sizes are available from 6" x 6" to 18" x 16"
- Vynckier's VJB enclosures are capable of withstanding continuous temperatures from -58°F (-50°C) up to 302°F (150°C).
- VJB enclosures provide protection for equipment and operators from indirect electrical contact.

- All VJB enclosures are UL listed for NEMA 3, 3R, 4, 4X, 12 & 13; CSA Certified per Standard C22.2- 0, 0.4, 0.7, 0.6, 94 Type 3, 3R, 4, 4X, 12 & 13.

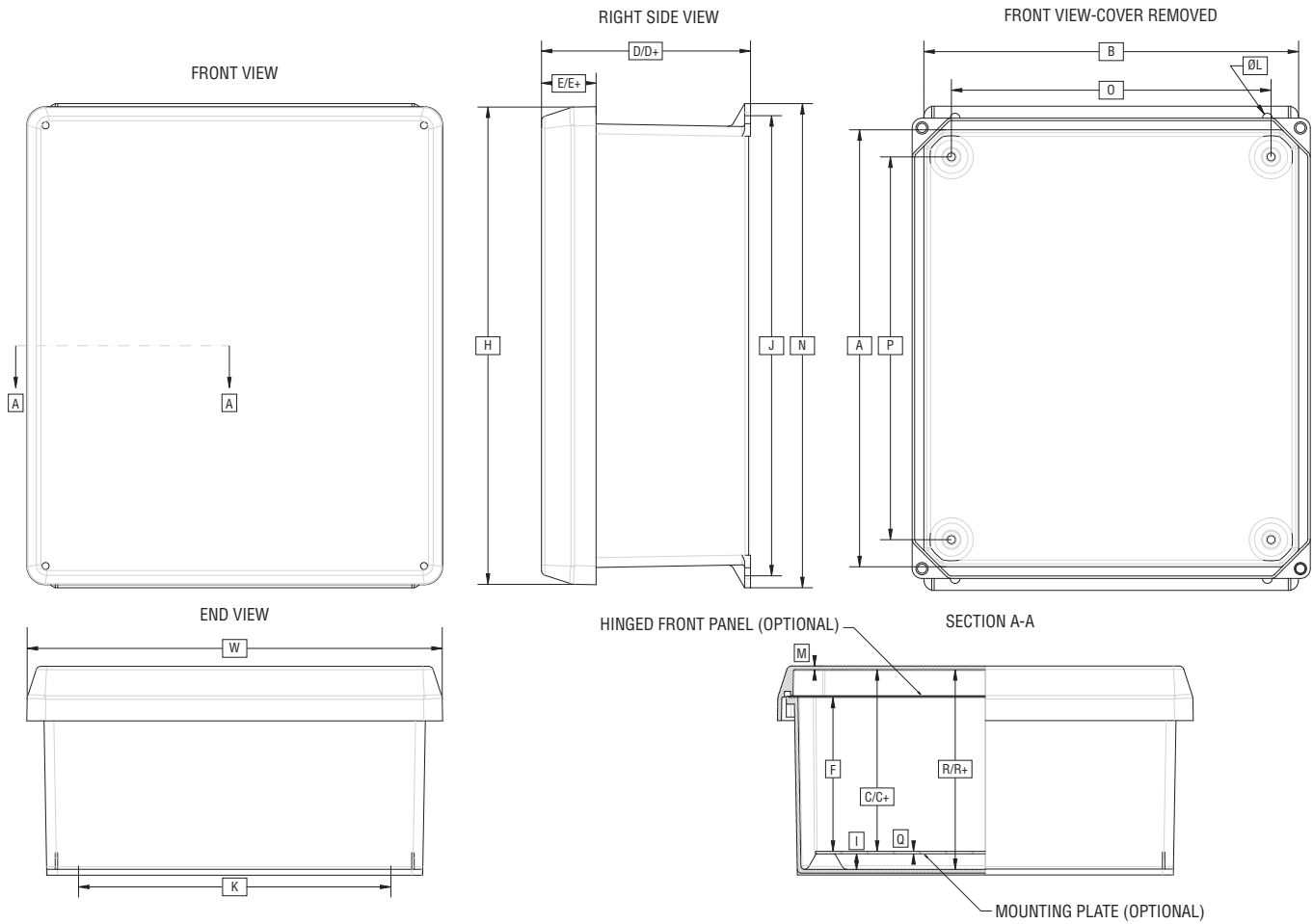
OPTIONAL ACCESSORIES

- Aluminum, Painted Steel or non-metallic Mounting Plates
- Aluminum Hinged Front Plates
- Aluminum Front Plates with quarter turn brackets
- MEDV Air Vents
- Backpanel stand-offs in four different lengths

| Bonded Window, SS Hinge Twist Latch(es) | Outside Dimension | | | Inside Dimension | | | Weight | Mounting Plates* | | | | Front Panels | |
|---|----------------------|------------------|-----------------|---------------------|------------------|-----------------|--------------------|------------------|---------|--------------|------------------------------|--------------|-----------|
| | H | W | D | A | B | C | | Aluminum | Steel | Non-Metallic | Dimensions | Plain | Hinged |
| VJB606HWLL1 (mm) | 7.31 (185.8) | 7.31 (185.8) | 4.96 (126.0) | 6.00 (152.4) | 6.00 (152.4) | 4.21 (107.0) | 2.8 lb 1.27 kg | MP606A | MP606S | MP606N | 4.88 x 4.88 (124 x 124) | VFP606A | VFPH606A |
| VJB806HWLL1 (mm) | 9.31 (236.6) | 7.31 (185.8) | 4.96 (126.0) | 8.00 (203.2) | 6.00 (152.4) | 4.21 (107.0) | 3.8 lb 1.72 kg | MP806A | MP806S | MP806N | 6.75 x 4.88 (171 x 124) | VFP806A | VFPH806A |
| VJB1008HWLL1 (mm) | 11.31 (287.4) | 9.31 (236.6) | 5.43 (138.0) | 10.00 (254.0) | 8.00 (203.2) | 4.69 (119.0) | 4.8 lb 2.17 kg | MP1008A | MP1008S | MP1008N | 8.75 x 6.88 (222 x 175) | VFP1008A | VFPH1008A |
| VJB1210HWLL2 (mm) | 13.31 (338.2) | 11.31 (287.4) | 5.59 (142.0) | 12.00 (304.8) | 10.00 (254.0) | 4.84 (123.0) | 6.3 lb 2.85 kg | MP1210A | MP1210S | MP1210N | 10.50 x 8.88 (267 x 226) | VFP1210A | VFPH1210A |
| VJB1412HWLL2 (mm) | 15.32 (389) | 13.30 (338) | 6.70 (170.0) | 14.00 (355.6) | 12.00 (304.8) | 5.82 (147.8) | 8.6 lb 3.90 kg | MP1412A | MP1412S | MP1412N | 12.75 x 10.88 (324 x 276) | VFP1412A | VFPH1412A |
| VJB1614HWLL2 (mm) | 17.31 (439.8) | 15.31 (389) | 6.69 (170.0) | 16.00 (406.4) | 14.00 (355.6) | 5.82 (147.8) | 10.6 lb 4.80 kg | MP1614A | MP1614S | MP1614N | 14.75 x 12.88 (375 x 327) | VFP1614A | VFPH1614A |
| VJB1816HWLL2 (mm) | 19.31 (490.6) | 17.31 (439.8) | 9.57 (243.0) | 18.00 (457.2) | 16.00 (406.4) | 8.69 (220.8) | 14.0 lb 6.34 kg | MP1816A | MP1816S | MP1816N | 16.75 x 14.88 (426 x 378) | VFP1816A | VFPH1816A |

* A aluminum back panel (.080" material thickness)
 S painted steel back panel (.060" material thickness)
 N non-metallic back panel (.187" material thickness)

Consult factory for custom size bonded window



| Bonded Window, SS Hinge Twist Latch(es) | Dimensions | | | | | | | | | | | | Window | |
|---|----------------|-----------------|----------------|------------------|------------------|---------------|---------------|------------------|------------------|------------------|---------------|-----------------|----------------|----------------|
| | E | F | I | J | K | L | M | N | O | P | Q | R | Height | Width |
| VJB606HWLL1 (mm) | 1.38 (35.0) | 3.76 (95.5) | 0.37 (9.5) | 6.75 (171.5) | 4.00 (101.6) | 0.31 (8.0) | 0.12 (3.0) | 7.50 (190.5) | 4.25 (108.0) | 4.25 (108.0) | 0.08 (2.0) | 4.67 (118.5) | 4.00 (102) | 4.00 (102) |
| VJB806HWLL1 (mm) | 1.38 (35.0) | 3.76 (95.5) | 0.37 (9.5) | 8.75 (222.2) | 4.00 (101.6) | 0.31 (8.0) | 0.12 (3.0) | 9.50 (241.2) | 4.25 (108.0) | 6.26 (159.0) | 0.08 (2.0) | 4.67 (118.5) | 6.00 (152) | 4.00 (102) |
| VJB1008HWLL1 (mm) | 1.62 (41.2) | 4.01 (101.8) | 0.37 (9.5) | 10.75 (273.0) | 6.00 (152.5) | 0.31 (8.0) | 0.12 (3.0) | 11.50 (292.0) | 6.24 (158.5) | 8.25 (209.5) | 0.08 (2.0) | 5.14 (130.5) | 8.00 (203) | 6.00 (152) |
| VJB1210HWLL2 (mm) | 1.62 (41.2) | 4.13 (105.0) | 0.37 (9.5) | 12.76 (324.0) | 8.00 (203.2) | 0.31 (8.0) | 0.12 (3.0) | 13.50 (343.0) | 8.25 (209.5) | 10.26 (260.5) | 0.08 (2.0) | 5.30 (134.5) | 10.00 (254) | 8.00 (203) |
| VJB1412HWLL2 (mm) | 1.75 (44.4) | 4.92 (125.0) | 0.50 (12.7) | 14.75 (374.6) | 10.00 (254.0) | 0.31 (8.0) | 0.12 (3.0) | 15.51 (394.0) | 10.24 (260.0) | 12.26 (311.5) | 0.08 (2.0) | 6.40 (162.5) | 12.00 (305) | 10.00 (254) |
| VJB1614HWLL2 (mm) | 1.75 (44.4) | 5.01 (127.3) | 0.50 (12.7) | 16.75 (425.5) | 12.01 (305.0) | 0.31 (8.0) | 0.12 (3.0) | 17.52 (445.0) | 12.24 (311.0) | 14.25 (362.0) | 0.08 (2.0) | 6.40 (162.5) | 14.00 (356) | 12.00 (305) |
| VJB1816HWLL2 (mm) | 1.75 (44.4) | 7.89 (200.3) | 0.50 (12.7) | 18.75 (476.2) | 12.01 (305.0) | 0.31 (8.0) | 0.12 (3.0) | 19.49 (495.0) | 14.25 (362.0) | 16.26 (413.0) | 0.08 (2.0) | 9.27 (235.5) | 16.00 (406) | 14.00 (356) |

FRP NEMA rating 3, 3R, 4, 4X, 12 & 13 VJB Series with 2 Captive Stainless Steel Cover Screws and 2 Non-metallic Hinges. Bonded Window on Cover



FEATURES

- All VJB Series enclosures are designed to meet the Joint Industrial Council (JIC) standards in the United States.
- VJB's are made from corrosion resistant hot compression molded fiberglass reinforced polyester with transparent lexana windows. These enclosures do not contain halogens.
- The VJB Series "NHW" enclosures include two stainless steel captive screws and two non-metallic hinges that secure the cover to the base. Two threaded brass inserts contained in the base secure the cover screws. Self tapping screws connect the hinges to the cover and base.
- Seven sizes are available from 6" x 6" to 18" x 16"
- Vynckier's VJB enclosures are capable of withstanding continuous temperatures from -58°F (-50°C) up to 302°F (150°C).
- VJB enclosures provide protection for equipment and operators from indirect electrical contact.

- All VJB enclosures are UL listed for NEMA 3, 3R, 4, 4X, 12 & 13; CSA Certified per Standard C22.2- 0, 0.4, 0.7, 0.6, 94 Type 3, 3R, 4, 4X, 12 & 13.

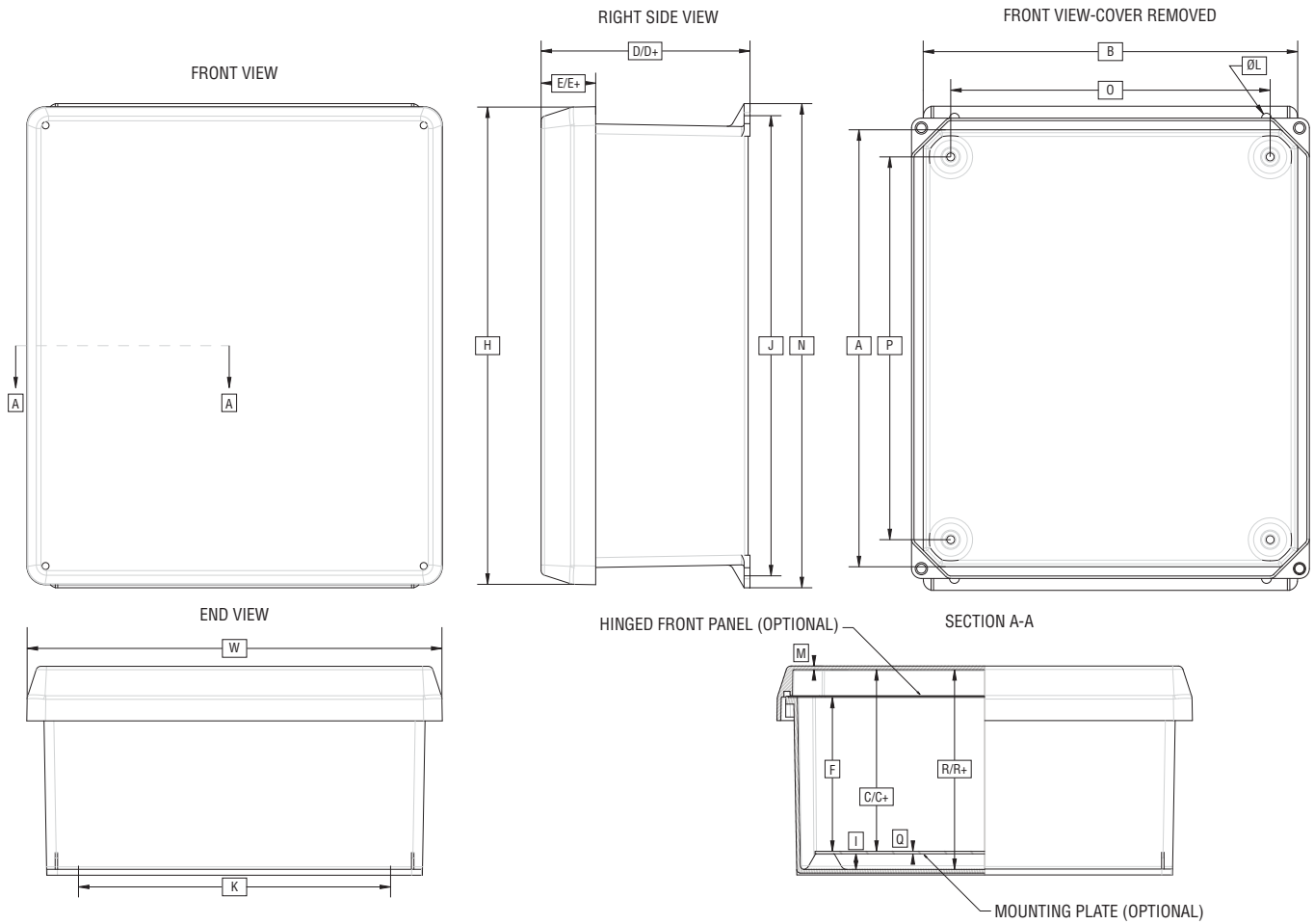
OPTIONAL ACCESSORIES

- Aluminum, Painted Steel or non-metallic Mounting Plates
- Aluminum Hinged Front Plates
- Aluminum Front Plates with quarter turn brackets
- MEDV Air Vents
- Backpanel stand-offs in four different lengths

| Bonded Window, SS Screws & Non-M Hinges | Outside Dimension | | | Inside Dimension | | | Weight | Mounting Plates* | | | | Front Panels | |
|---|-------------------|------------------|-----------------|------------------|------------------|-----------------|--------------------|------------------|---------|--------------|------------------------------|--------------|-----------|
| | H | W | D | A | B | C | | Aluminum | Steel | Non-Metallic | Dimensions | Plain | Hinged |
| VJB606NHW (mm) | 7.31 (185.8) | 7.31 (185.8) | 4.96 (126.0) | 6.00 (152.4) | 6.00 (152.4) | 4.21 (107.0) | 2.8 lb 1.27 kg | MP606A | MP606S | MP606N | 4.88 x 4.88 (124 x 124) | VFP606A | VFPH606A |
| VJB806NHW (mm) | 9.31 (236.6) | 7.31 (185.8) | 4.96 (126.0) | 8.00 (203.2) | 6.00 (152.4) | 4.21 (107.0) | 3.8 lb 1.72 kg | MP806A | MP806S | MP806N | 6.75 x 4.88 (171 x 124) | VFP806A | VFPH806A |
| VJB1008NHW (mm) | 11.31 (287.4) | 9.31 (236.6) | 5.43 (138.0) | 10.00 (254.0) | 8.00 (203.2) | 4.69 (119.0) | 4.8 lb 2.17 kg | MP1008A | MP1008S | MP1008N | 8.75 x 6.88 (222 x 175) | VFP1008A | VFPH1008A |
| VJB1210NHW (mm) | 13.31 (338.2) | 11.31 (287.4) | 5.59 (142.0) | 12.00 (304.8) | 10.00 (254.0) | 4.84 (123.0) | 6.3 lb 2.85 kg | MP1210A | MP1210S | MP1210N | 10.50 x 8.88 (267 x 226) | VFP1210A | VFPH1210A |
| VJB1412NHW (mm) | 15.32 (389) | 13.30 (338) | 6.70 (170.0) | 14.00 (355.6) | 12.00 (304.8) | 5.82 (147.8) | 8.6 lb 3.90 kg | MP1412A | MP1412S | MP1412N | 12.75 x 10.88 (324 x 276) | VFP1412A | VFPH1412A |
| VJB1614NHW (mm) | 17.31 (439.8) | 15.31 (389) | 6.69 (170.0) | 16.00 (406.4) | 14.00 (355.6) | 5.82 (147.8) | 10.6 lb 4.80 kg | MP1614A | MP1614S | MP1614N | 14.75 x 12.88 (375 x 327) | VFP1614A | VFPH1614A |
| VJB1816NHW (mm) | 19.31 (490.6) | 17.31 (439.8) | 9.57 (243.0) | 18.00 (457.2) | 16.00 (406.4) | 8.69 (220.8) | 14.0 lb 6.34 kg | MP1816A | MP1816S | MP1816N | 16.75 x 14.88 (426 x 378) | VFP1816A | VFPH1816A |

* A aluminum back panel (.080" material thickness)
 S painted steel back panel (.060" material thickness)
 N non-metallic back panel (.187" material thickness)

Consult factory for custom size bonded window



| Bonded Window, SS Screws & Non-M Hinges | Dimensions | | | | | | | | | | | | Window | |
|---|----------------|-----------------|----------------|------------------|------------------|---------------|---------------|------------------|------------------|------------------|---------------|-----------------|----------------|----------------|
| | E | F | I | J | K | L | M | N | O | P | Q | R | Height | Width |
| VJB606NHW (mm) | 1.38 (35.0) | 3.76 (95.5) | 0.37 (9.5) | 6.75 (171.5) | 4.00 (101.6) | 0.31 (8.0) | 0.12 (3.0) | 7.50 (190.5) | 4.25 (108.0) | 4.25 (108.0) | 0.08 (2.0) | 4.67 (118.5) | 4.00 (102) | 4.00 (102) |
| VJB806NHW (mm) | 1.38 (35.0) | 3.76 (95.5) | 0.37 (9.5) | 8.75 (222.2) | 4.00 (101.6) | 0.31 (8.0) | 0.12 (3.0) | 9.50 (241.2) | 4.25 (108.0) | 6.26 (159.0) | 0.08 (2.0) | 4.67 (118.5) | 6.00 (152) | 4.00 (102) |
| VJB1008NHW (mm) | 1.62 (41.2) | 4.01 (101.8) | 0.37 (9.5) | 10.75 (273.0) | 6.00 (152.5) | 0.31 (8.0) | 0.12 (3.0) | 11.50 (292.0) | 6.24 (158.5) | 8.25 (209.5) | 0.08 (2.0) | 5.14 (130.5) | 8.00 (203) | 6.00 (152) |
| VJB1210NHW (mm) | 1.62 (41.2) | 4.13 (105.0) | 0.37 (9.5) | 12.76 (324.0) | 8.00 (203.2) | 0.31 (8.0) | 0.12 (3.0) | 13.50 (343.0) | 8.25 (209.5) | 10.26 (260.5) | 0.08 (2.0) | 5.30 (134.5) | 10.00 (254) | 8.00 (203) |
| VJB1412NHW (mm) | 1.75 (44.4) | 4.92 (125.0) | 0.50 (12.7) | 14.75 (374.6) | 10.00 (254.0) | 0.31 (8.0) | 0.12 (3.0) | 15.51 (394.0) | 10.24 (260.0) | 12.26 (311.5) | 0.08 (2.0) | 6.40 (162.5) | 12.00 (305) | 10.00 (254) |
| VJB1614NHW (mm) | 1.75 (44.4) | 5.01 (127.3) | 0.50 (12.7) | 16.75 (425.5) | 12.01 (305.0) | 0.31 (8.0) | 0.12 (3.0) | 17.52 (445.0) | 12.24 (311.0) | 14.25 (362.0) | 0.08 (2.0) | 6.40 (162.5) | 14.00 (356) | 12.00 (305) |
| VJB1816NHW (mm) | 1.75 (44.4) | 7.89 (200.3) | 0.50 (12.7) | 18.75 (476.2) | 12.01 (305.0) | 0.31 (8.0) | 0.12 (3.0) | 19.49 (495.0) | 14.25 (362.0) | 16.26 (413.0) | 0.08 (2.0) | 9.27 (235.5) | 16.00 (406) | 14.00 (356) |

FRP NEMA rating 3, 3R, 4, 4X, 12 & 13 VJB Series with Stainless Steel Padlockable Latch(s) and 2 Non-metallic Hinges. Bonded Window on Cover



FEATURES

- All VJB Series enclosures are designed to meet the Joint Industrial Council (JIC) standards in the United States.
- VJB's are made from corrosion resistant hot compression molded fiberglass reinforced polyester with transparent lexana windows. These enclosures do not contain halogens.
- The VJB Series "NHWPL" enclosures include one or two stainless steel padlockable latches to secure one side of the cover to the base with two non-metallic hinges that secures the other. Self-tapping screws connect the hinges to the cover and base.
- Seven sizes are available from 6" x 6" to 18" x 16"
- Vynckier's VJB enclosures are capable of withstanding continuous temperatures from -58°F (-50°C) up to 302°F (150°C).
- VJB enclosures provide protection for equipment and operators from indirect electrical contact.

- All VJB enclosures are UL listed for NEMA 3, 3R, 4, 4X, 12 & 13; CSA Certified per Standard C22.2- 0, 0.4, 0.7, 0.6, 94 Type 3, 3R, 4, 4X, 12 & 13.

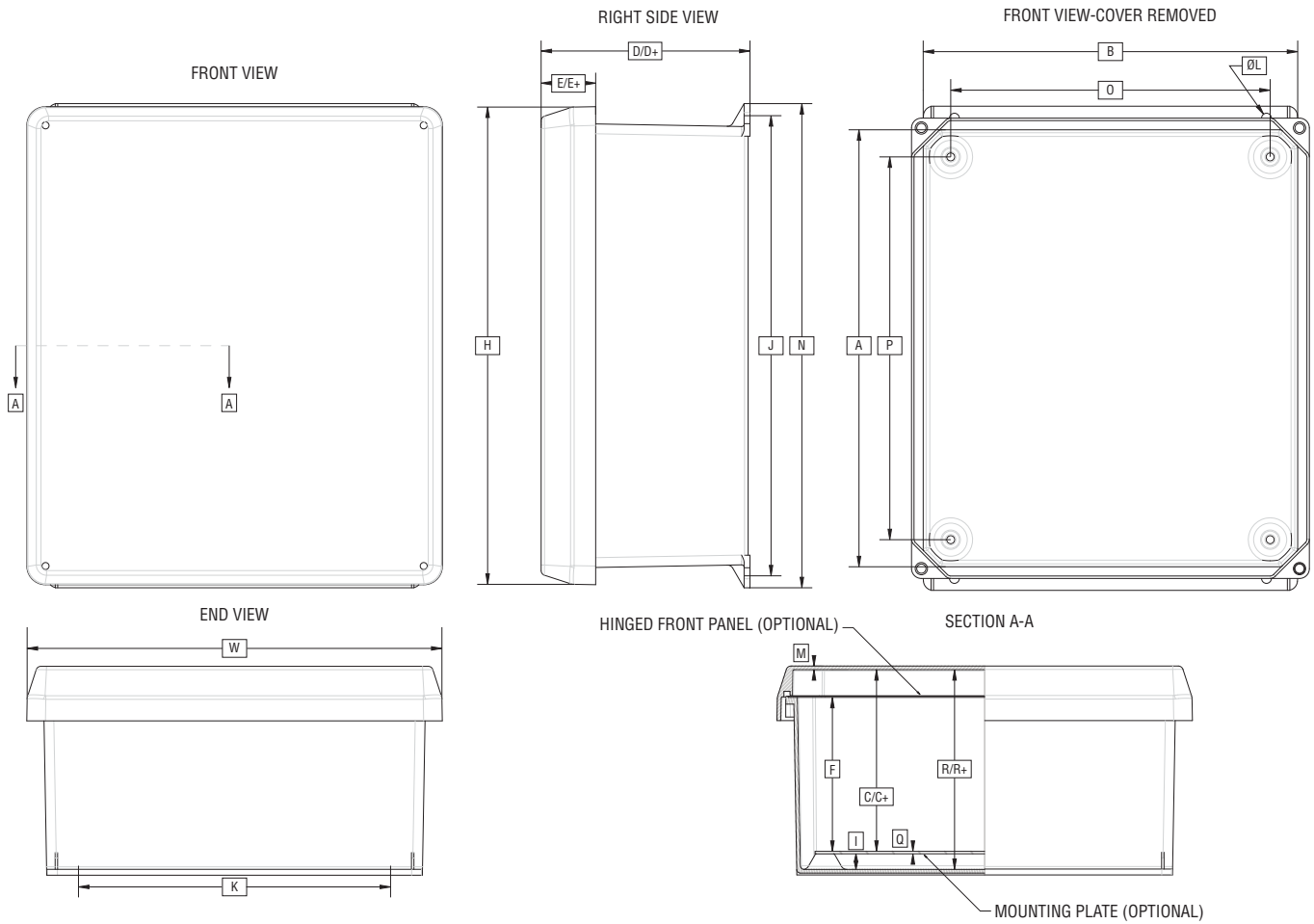
OPTIONAL ACCESSORIES

- Aluminum, Painted Steel or non-metallic Mounting Plates
- Aluminum Hinged Front Plates
- Aluminum Front Plates with quarter turn brackets
- MEDV Air Vents
- Backpanel stand-offs in four different lengths

| Bonded Window, N-M Hinge Padlock Latch(es) | Outside Dimension | | | Inside Dimension | | | Weight | Mounting Plates* | | | Front Panels | | |
|--|----------------------|------------------|-----------------|---------------------|------------------|-----------------|--------------------|------------------|---------|--------------|------------------------------|----------|-----------|
| | H | W | D | A | B | C | | Aluminum | Steel | Non-Metallic | Dimensions | Plain | Hinged |
| VJB606NHWPL1 (mm) | 7.31 (185.8) | 7.31 (185.8) | 4.96 (126.0) | 6.00 (152.4) | 6.00 (152.4) | 4.21 (107.0) | 2.8 lb 1.27 kg | MP606A | MP606S | MP606N | 4.88 x 4.88 (124 x 124) | VFP606A | VFPH606A |
| VJB806NHWPL1 (mm) | 9.31 (236.6) | 7.31 (185.8) | 4.96 (126.0) | 8.00 (203.2) | 6.00 (152.4) | 4.21 (107.0) | 3.8 lb 1.72 kg | MP806A | MP806S | MP806N | 6.75 x 4.88 (171 x 124) | VFP806A | VFPH806A |
| VJB1008NHWPL1 (mm) | 11.31 (287.4) | 9.31 (236.6) | 5.43 (138.0) | 10.00 (254.0) | 8.00 (203.2) | 4.69 (119.0) | 4.8 lb 2.17 kg | MP1008A | MP1008S | MP1008N | 8.75 x 6.88 (222 x 175) | VFP1008A | VFPH1008A |
| VJB1210NHWPL2 (mm) | 13.31 (338.2) | 11.31 (287.4) | 5.59 (142.0) | 12.00 (304.8) | 10.00 (254.0) | 4.84 (123.0) | 6.3 lb 2.85 kg | MP1210A | MP1210S | MP1210N | 10.50 x 8.88 (267 x 226) | VFP1210A | VFPH1210A |
| VJB1412NHWPL2 (mm) | 15.32 (389) | 13.30 (338) | 6.70 (170.0) | 14.00 (355.6) | 12.00 (304.8) | 5.82 (147.8) | 8.6 lb 3.90 kg | MP1412A | MP1412S | MP1412N | 12.75 x 10.88 (324 x 276) | VFP1412A | VFPH1412A |
| VJB1614NHWPL2 (mm) | 17.31 (439.8) | 15.31 (389) | 6.69 (170.0) | 16.00 (406.4) | 14.00 (355.6) | 5.82 (147.8) | 10.6 lb 4.80 kg | MP1614A | MP1614S | MP1614N | 14.75 x 12.88 (375 x 327) | VFP1614A | VFPH1614A |
| VJB1816NHWPL2 (mm) | 19.31 (490.6) | 17.31 (439.8) | 9.57 (243.0) | 18.00 (457.2) | 16.00 (406.4) | 8.69 (220.8) | 14.0 lb 6.34 kg | MP1816A | MP1816S | MP1816N | 16.75 x 14.88 (426 x 378) | VFP1816A | VFPH1816A |

- * A aluminum back panel (.080" material thickness)
 S painted steel back panel (.060" material thickness)
 N non-metallic back panel (.187" material thickness)

Consult factory for custom size bonded window



| Bonded Window, N-M Hinge Twist Latch(es) | Dimensions | | | | | | | | | | | | Window | |
|--|----------------|-----------------|----------------|------------------|------------------|---------------|---------------|------------------|------------------|------------------|---------------|-----------------|----------------|----------------|
| | E | F | I | J | K | L | M | N | O | P | Q | R | Height | Width |
| VJB606NHWPL1 (mm) | 1.38 (35.0) | 3.76 (95.5) | 0.37 (9.5) | 6.75 (171.5) | 4.00 (101.6) | 0.31 (8.0) | 0.12 (3.0) | 7.50 (190.5) | 4.25 (108.0) | 4.25 (108.0) | 0.08 (2.0) | 4.67 (118.5) | 4.00 (102) | 4.00 (102) |
| VJB806NHWPL1 (mm) | 1.38 (35.0) | 3.76 (95.5) | 0.37 (9.5) | 8.75 (222.2) | 4.00 (101.6) | 0.31 (8.0) | 0.12 (3.0) | 9.50 (241.2) | 4.25 (108.0) | 6.26 (159.0) | 0.08 (2.0) | 4.67 (118.5) | 6.00 (152) | 4.00 (102) |
| VJB1008NHWPL1 (mm) | 1.62 (41.2) | 4.01 (101.8) | 0.37 (9.5) | 10.75 (273.0) | 6.00 (152.5) | 0.31 (8.0) | 0.12 (3.0) | 11.50 (292.0) | 6.24 (158.5) | 8.25 (209.5) | 0.08 (2.0) | 5.14 (130.5) | 8.00 (203) | 6.00 (152) |
| VJB1210NHWPL2 (mm) | 1.62 (41.2) | 4.13 (105.0) | 0.37 (9.5) | 12.76 (324.0) | 8.00 (203.2) | 0.31 (8.0) | 0.12 (3.0) | 13.50 (343.0) | 8.25 (209.5) | 10.26 (260.5) | 0.08 (2.0) | 5.30 (134.5) | 10.00 (254) | 8.00 (203) |
| VJB1412NHWPL2 (mm) | 1.75 (44.4) | 4.92 (125.0) | 0.50 (12.7) | 14.75 (374.6) | 10.00 (254.0) | 0.31 (8.0) | 0.12 (3.0) | 15.51 (394.0) | 10.24 (260.0) | 12.26 (311.5) | 0.08 (2.0) | 6.40 (162.5) | 12.00 (305) | 10.00 (254) |
| VJB1614NHWPL2 (mm) | 1.75 (44.4) | 5.01 (127.3) | 0.50 (12.7) | 16.75 (425.5) | 12.01 (305.0) | 0.31 (8.0) | 0.12 (3.0) | 17.52 (445.0) | 12.24 (311.0) | 14.25 (362.0) | 0.08 (2.0) | 6.40 (162.5) | 14.00 (356) | 12.00 (305) |
| VJB1816NHWPL2 (mm) | 1.75 (44.4) | 7.89 (200.3) | 0.50 (12.7) | 18.75 (476.2) | 12.01 (305.0) | 0.31 (8.0) | 0.12 (3.0) | 19.49 (495.0) | 14.25 (362.0) | 16.26 (413.0) | 0.08 (2.0) | 9.27 (235.5) | 16.00 (406) | 14.00 (356) |

FRP NEMA rating 3, 3R, 4, 4X, 12 & 13 VJB Series with Stainless Steel Twist Latch(es) and 2 Non-metallic Hinges. Bonded Window on Cover



FEATURES

- All VJB Series enclosures are designed to meet the Joint Industrial Council (JIC) standards in the United States.
- VJB's are made from corrosion resistant hot compression molded fiberglass reinforced polyester with transparent lexana windows. These enclosures do not contain halogens.
- The VJB Series "NHWLL" enclosures include one or two stainless steel twist latches to secure one side of the cover to the base with two non-metallic hinges that secures the other. Self-tapping screws connect the hinges to the cover and base.
- Seven sizes are available from 6" x 6" to 18" x 16"
- Vynckier's VJB enclosures are capable of withstanding continuous temperatures from -58°F (-50°C) up to 302°F (150°C).
- VJB enclosures provide protection for equipment and operators from indirect electrical contact.

- All VJB enclosures are UL listed for NEMA 3, 3R, 4, 4X, 12 & 13; CSA Certified per Standard C22.2- 0, 0.4, 0.7, 0.6, 94 Type 3, 3R, 4, 4X, 12 & 13.

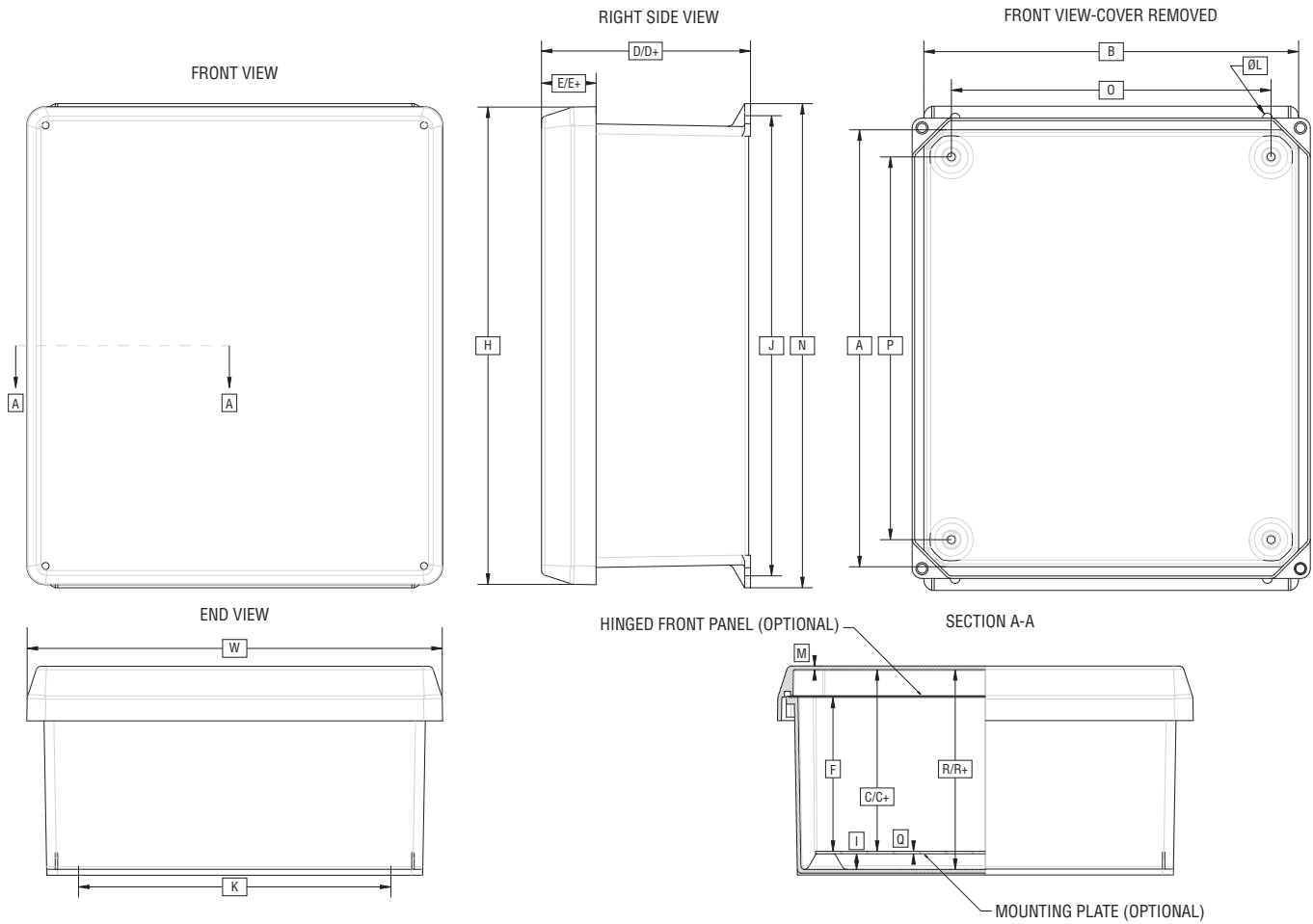
OPTIONAL ACCESSORIES

- Aluminum, Painted Steel or non-metallic Mounting Plates
- Aluminum Hinged Front Plates
- Aluminum Front Plates with quarter turn brackets
- MEDV Air Vents
- Backpanel stand-offs in four different lengths
- Non-metallic lift-off hinges

| Bonded Window, N-M Hinge Twist Latch(es) | Outside Dimension | | | Inside Dimension | | | Weight | Mounting Plates* | | | Front Panels | | |
|--|-------------------|---------------|--------------|------------------|---------------|--------------|-------------------|------------------|---------|--------------|---------------------------|----------|-----------|
| | H | W | D | A | B | C | | Aluminum | Steel | Non-Metallic | Dimensions | Plain | Hinged |
| VJB606NHWLL1 (mm) | 7.31 (185.8) | 7.31 (185.8) | 4.96 (126.0) | 6.00 (152.4) | 6.00 (152.4) | 4.21 (107.0) | 2.8 lb (1.27 kg) | MP606A | MP606S | MP606N | 4.88 x 4.88 (124 x 124) | VFP606A | VFPH606A |
| VJB806NHWLL1 (mm) | 9.31 (236.6) | 7.31 (185.8) | 4.96 (126.0) | 8.00 (203.2) | 6.00 (152.4) | 4.21 (107.0) | 3.8 lb (1.72 kg) | MP806A | MP806S | MP806N | 6.75 x 4.88 (171 x 124) | VFP806A | VFPH806A |
| VJB1008NHWLL1 (mm) | 11.31 (287.4) | 9.31 (236.6) | 5.43 (138.0) | 10.00 (254.0) | 8.00 (203.2) | 4.69 (119.0) | 4.8 lb (2.17 kg) | MP1008A | MP1008S | MP1008N | 8.75 x 6.88 (222 x 175) | VFP1008A | VFPH1008A |
| VJB1210NHWLL2 (mm) | 13.31 (338.2) | 11.31 (287.4) | 5.59 (142.0) | 12.00 (304.8) | 10.00 (254.0) | 4.84 (123.0) | 6.3 lb (2.85 kg) | MP1210A | MP1210S | MP1210N | 10.50 x 8.88 (267 x 226) | VFP1210A | VFPH1210A |
| VJB1412NHWLL2 (mm) | 15.32 (389) | 13.30 (338) | 6.70 (170.0) | 14.00 (355.6) | 12.00 (304.8) | 5.82 (147.8) | 8.6 lb (3.90 kg) | MP1412A | MP1412S | MP1412N | 12.75 x 10.88 (324 x 276) | VFP1412A | VFPH1412A |
| VJB1614NHWLL2 (mm) | 17.31 (439.8) | 15.31 (389) | 6.69 (170.0) | 16.00 (406.4) | 14.00 (355.6) | 5.82 (147.8) | 10.6 lb (4.80 kg) | MP1614A | MP1614S | MP1614N | 14.75 x 12.88 (375 x 327) | VFP1614A | VFPH1614A |
| VJB1816NHWLL2 (mm) | 19.31 (490.6) | 17.31 (439.8) | 9.57 (243.0) | 18.00 (457.2) | 16.00 (406.4) | 8.69 (220.8) | 14.0 lb (6.34 kg) | MP1816A | MP1816S | MP1816N | 16.75 x 14.88 (426 x 378) | VFP1816A | VFPH1816A |

* A aluminum back panel (.080" material thickness)
 S painted steel back panel (.060" material thickness)
 N non-metallic back panel (.187" material thickness)

Consult factory for custom size bonded window



| Bonded Window, N-M Hinge Twist Latch(es) | Dimensions | | | | | | | | | | | | Window | |
|--|----------------|-----------------|----------------|------------------|------------------|---------------|---------------|------------------|------------------|------------------|---------------|-----------------|----------------|----------------|
| | E | F | I | J | K | L | M | N | O | P | Q | R | Height | Width |
| VJB606NHWLL1 (mm) | 1.38 (35.0) | 3.76 (95.5) | 0.37 (9.5) | 6.75 (171.5) | 4.00 (101.6) | 0.31 (8.0) | 0.12 (3.0) | 7.50 (190.5) | 4.25 (108.0) | 4.25 (108.0) | 0.08 (2.0) | 4.67 (118.5) | 4.00 (102) | 4.00 (102) |
| VJB806NHWLL1 (mm) | 1.38 (35.0) | 3.76 (95.5) | 0.37 (9.5) | 8.75 (222.2) | 4.00 (101.6) | 0.31 (8.0) | 0.12 (3.0) | 9.50 (241.2) | 4.25 (108.0) | 6.26 (159.0) | 0.08 (2.0) | 4.67 (118.5) | 6.00 (152) | 4.00 (102) |
| VJB1008NHWLL1 (mm) | 1.62 (41.2) | 4.01 (101.8) | 0.37 (9.5) | 10.75 (273.0) | 6.00 (152.5) | 0.31 (8.0) | 0.12 (3.0) | 11.50 (292.0) | 6.24 (158.5) | 8.25 (209.5) | 0.08 (2.0) | 5.14 (130.5) | 8.00 (203) | 6.00 (152) |
| VJB1210NHWLL2 (mm) | 1.62 (41.2) | 4.13 (105.0) | 0.37 (9.5) | 12.76 (324.0) | 8.00 (203.2) | 0.31 (8.0) | 0.12 (3.0) | 13.50 (343.0) | 8.25 (209.5) | 10.26 (260.5) | 0.08 (2.0) | 5.30 (134.5) | 10.00 (254) | 8.00 (203) |
| VJB1412NHWLL2 (mm) | 1.75 (44.4) | 4.92 (125.0) | 0.50 (12.7) | 14.75 (374.6) | 10.00 (254.0) | 0.31 (8.0) | 0.12 (3.0) | 15.51 (394.0) | 10.24 (260.0) | 12.26 (311.5) | 0.08 (2.0) | 6.40 (162.5) | 12.00 (305) | 10.00 (254) |
| VJB1614NHWLL2 (mm) | 1.75 (44.4) | 5.01 (127.3) | 0.50 (12.7) | 16.75 (425.5) | 12.01 (305.0) | 0.31 (8.0) | 0.12 (3.0) | 17.52 (445.0) | 12.24 (311.0) | 14.25 (362.0) | 0.08 (2.0) | 6.40 (162.5) | 14.00 (356) | 12.00 (305) |
| VJB1816NHWLL2 (mm) | 1.75 (44.4) | 7.89 (200.3) | 0.50 (12.7) | 18.75 (476.2) | 12.01 (305.0) | 0.31 (8.0) | 0.12 (3.0) | 19.49 (495.0) | 14.25 (362.0) | 16.26 (413.0) | 0.08 (2.0) | 9.27 (235.5) | 16.00 (406) | 14.00 (356) |

FRP NEMA rating 3, 3R, 12 & 13 VJG Series with 4 Captive Stainless Steel Cover Screws. Gasketed Window on Cover



FEATURES

- All VJG Series enclosures are designed to meet the Joint Industrial Council (JIC) standards in the United States.
- VJG's are made from corrosion resistant hot compression molded fiberglass reinforced polyester with transparent lexana windows. These enclosures do not contain halogens.
- The VJG Series "W" enclosures include four stainless steel captive screws that secure the cover to the base by means of four threaded brass inserts contained in the base.
- Seven sizes are available from 6" x 6" to 18" x 16"
- Vynckier's VJG enclosures are capable of withstanding continuous temperatures from -58°F (-50°C) up to 302°F (150°C).
- VJG enclosures provide protection for equipment and operators from indirect electrical contact.

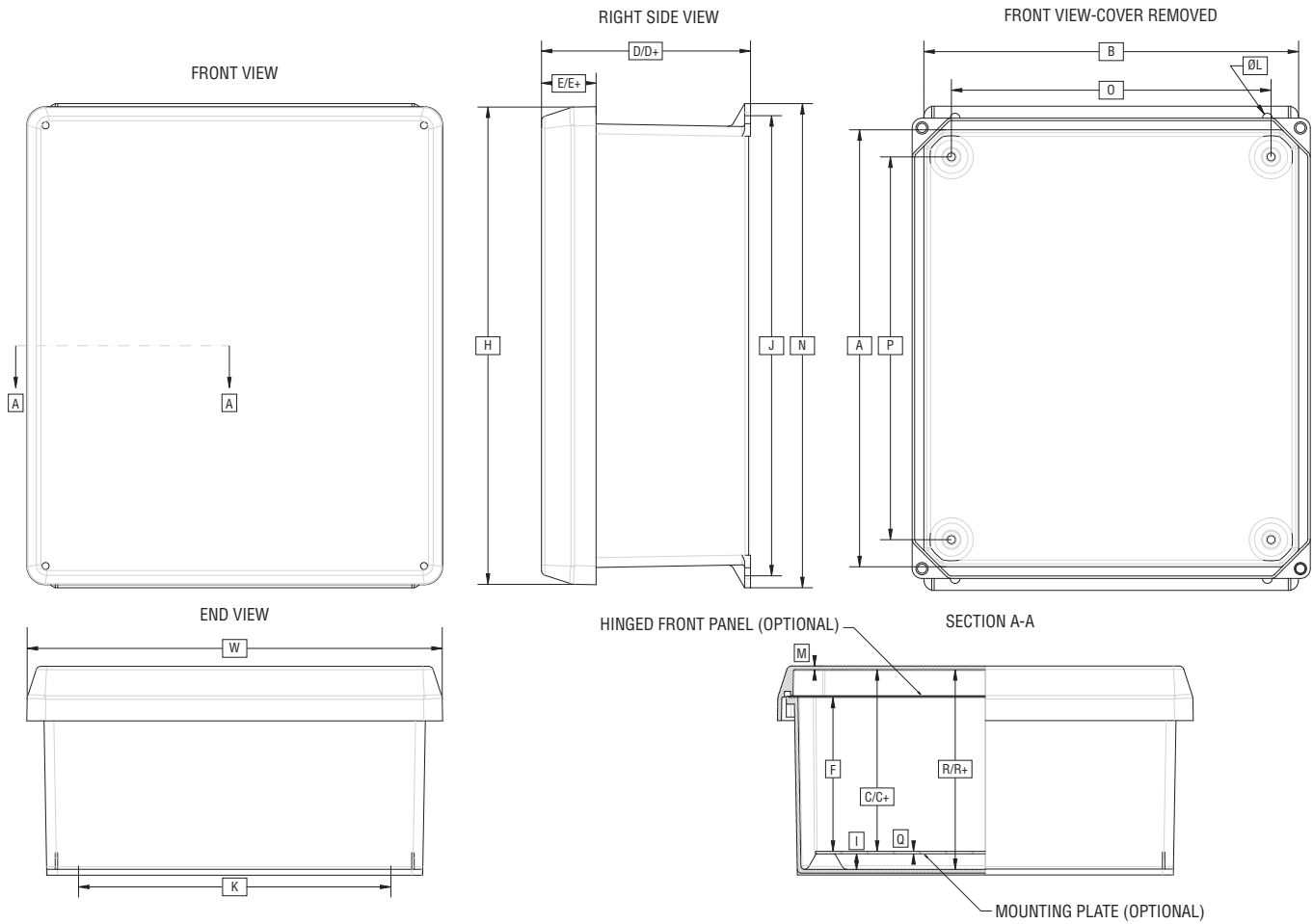
- All VJG enclosures are UL listed for NEMA 3, 3R, 12 & 13; CSA Certified per Standard C22.2- 0, 0.4, 0.7, 0.6, 94 Type 3, 3R, 12 & 13.

OPTIONAL ACCESSORIES

- Aluminum, Painted Steel or non-metallic Mounting Plates
- Aluminum Hinged Front Plates
- Aluminum Front Plates with quarter turn brackets
- MEDV Air Vents
- Backpanel stand-offs in four different lengths
- Non-metallic lift-off hinges

| Gasketed Window Screw Cover Part Numbers | Outside Dimension | | | Inside Dimension | | | Weight | Mounting Plates* | | | Dimensions | Front Panels | |
|--|-------------------|------------------|-----------------|------------------|------------------|-----------------|--------------------|------------------|---------|--------------|------------------------------|--------------|-----------|
| | H | W | D | A | B | C | | Aluminum | Steel | Non-Metallic | | Plain | Hinged |
| VJG606W (mm) | 7.31 (185.8) | 7.31 (185.8) | 4.96 (126.0) | 6.00 (152.4) | 6.00 (152.4) | 4.21 (107.0) | 2.8 lb 6.2 kg | MP606A | MP606S | MP606N | 4.88 x 4.88 (124 x 124) | VFP606A | VFPH606A |
| VJG806W (mm) | 9.31 (236.6) | 7.31 (185.8) | 4.96 (126.0) | 8.00 (203.2) | 6.00 (152.4) | 4.21 (107.0) | 3.8 lb 8.4 kg | MP806A | MP806S | MP806N | 6.75 x 4.88 (171 x 124) | VFP806A | VFPH806A |
| VJG1008W (mm) | 11.31 (287.4) | 9.31 (236.6) | 5.43 (138.0) | 10.00 (254.0) | 8.00 (203.2) | 4.69 (119.0) | 4.8 lb 10.6 kg | MP1008A | MP1008S | MP1008N | 8.75 x 6.88 (222 x 175) | VFP1008A | VFPH1008A |
| VJG1210W (mm) | 13.31 (338.2) | 11.31 (287.4) | 5.59 (142.0) | 12.00 (304.8) | 10.00 (254.0) | 4.84 (123.0) | 6.3 lb 13.9 kg | MP1210A | MP1210S | MP1210N | 10.50 x 8.88 (267 x 226) | VFP1210A | VFPH1210A |
| VJG1412W (mm) | 15.32 (389) | 13.30 (338) | 6.70 (170.0) | 14.00 (355.6) | 12.00 (304.8) | 5.82 (147.8) | 8.6 lb 19.0 kg | MP1412A | MP1412S | MP1412N | 12.75 x 10.88 (324 x 276) | VFP1412A | VFPH1412A |
| VJG1614W (mm) | 17.31 (439.8) | 15.31 (389) | 6.69 (170.0) | 16.00 (406.4) | 14.00 (355.6) | 5.82 (147.8) | 10.6 lb 12.4 kg | MP1614A | MP1614S | MP1614N | 14.75 x 12.88 (375 x 327) | VFP1614A | VFPH1614A |
| VJG1816W (mm) | 19.31 (490.6) | 17.31 (439.8) | 9.57 (243.0) | 18.00 (457.2) | 16.00 (406.4) | 8.69 (220.8) | 14.0 lb 31 kg | MP1816A | MP1816S | MP1816N | 16.75 x 14.88 (426 x 378) | VFP1816A | VFPH1816A |

* A aluminum back panel (.080" material thickness)
 S painted steel back panel (.060" material thickness)
 N non-metallic back panel (.187" material thickness)



| Part Numbers Gasketed Window Screw Cover | Dimensions | | | | | | | | | | | | Window | |
|--|----------------|-----------------|----------------|------------------|------------------|---------------|---------------|------------------|------------------|------------------|---------------|-----------------|----------------|----------------|
| | E | F | I | J | K | L | M | N | O | P | Q | R | Height | Width |
| VJG606W (mm) | 1.38 (35.0) | 3.76 (95.5) | 0.37 (9.5) | 6.75 (171.5) | 4.00 (101.6) | 0.31 (8.0) | 0.12 (3.0) | 7.50 (190.5) | 4.25 (108.0) | 4.25 (108.0) | 0.08 (2.0) | 4.67 (118.5) | 4.00 (102) | 4.00 (102) |
| VJG806W (mm) | 1.38 (35.0) | 3.76 (95.5) | 0.37 (9.5) | 8.75 (222.2) | 4.00 (101.6) | 0.31 (8.0) | 0.12 (3.0) | 9.50 (241.2) | 4.25 (108.0) | 6.26 (159.0) | 0.08 (2.0) | 4.67 (118.5) | 6.00 (152) | 4.00 (102) |
| VJG1008W (mm) | 1.62 (41.2) | 4.01 (101.8) | 0.37 (9.5) | 10.75 (273.0) | 6.00 (152.5) | 0.31 (8.0) | 0.12 (3.0) | 11.50 (292.0) | 6.24 (158.5) | 8.25 (209.5) | 0.08 (2.0) | 5.14 (130.5) | 8.00 (203) | 6.00 (152) |
| VJG1210W (mm) | 1.62 (41.2) | 4.13 (105.0) | 0.37 (9.5) | 12.76 (324.0) | 8.00 (203.2) | 0.31 (8.0) | 0.12 (3.0) | 13.50 (343.0) | 8.25 (209.5) | 10.26 (260.5) | 0.08 (2.0) | 5.30 (134.5) | 10.00 (254) | 8.00 (203) |
| VJG1412W (mm) | 1.75 (44.4) | 4.92 (125.0) | 0.50 (12.7) | 14.75 (374.6) | 10.00 (254.0) | 0.31 (8.0) | 0.12 (3.0) | 15.51 (394.0) | 10.24 (260.0) | 12.26 (311.5) | 0.08 (2.0) | 6.40 (162.5) | 12.00 (305) | 10.00 (254) |
| VJG1614W (mm) | 1.75 (44.4) | 5.01 (127.3) | 0.50 (12.7) | 16.75 (425.5) | 12.01 (305.0) | 0.31 (8.0) | 0.12 (3.0) | 17.52 (445.0) | 12.24 (311.0) | 14.25 (362.0) | 0.08 (2.0) | 6.40 (162.5) | 14.00 (356) | 12.00 (305) |
| VJG1816W (mm) | 1.75 (44.4) | 7.89 (200.3) | 0.50 (12.7) | 18.75 (476.2) | 12.01 (305.0) | 0.31 (8.0) | 0.12 (3.0) | 19.49 (495.0) | 14.25 (362.0) | 16.26 (413.0) | 0.08 (2.0) | 9.27 (235.5) | 16.00 (406) | 14.00 (356) |

FRP NEMA rating 3, 3R, 12 & 13 VJG Series with 2 Captive Stainless Steel Cover Screws and a Stainless Steel Piano Hinge. Gasketed Window on Cover



FEATURES

- All VJG Series enclosures are designed to meet the Joint Industrial Council (JIC) standards in the United States.
- VJG's are made from corrosion resistant hot compression molded fiberglass reinforced polyester with transparent lexana windows. These enclosures do not contain halogens.
- The VJG Series "HW" enclosures include two stainless steel captive screws and a stainless steel piano hinge that secure the cover to the base. Two threaded brass inserts contained in the base secure the cover screws, rivets connect the hinge to the cover and self-tapping screws connect the hinge to the base.
- Seven sizes are available from 6" x 6" to 18" x 16"
- Vynckier's VJG enclosures are capable of withstanding continuous temperatures from -58°F (-50°C) up to 302°F (150°C).
- VJG enclosures provide protection for equipment and operators from indirect electrical contact.

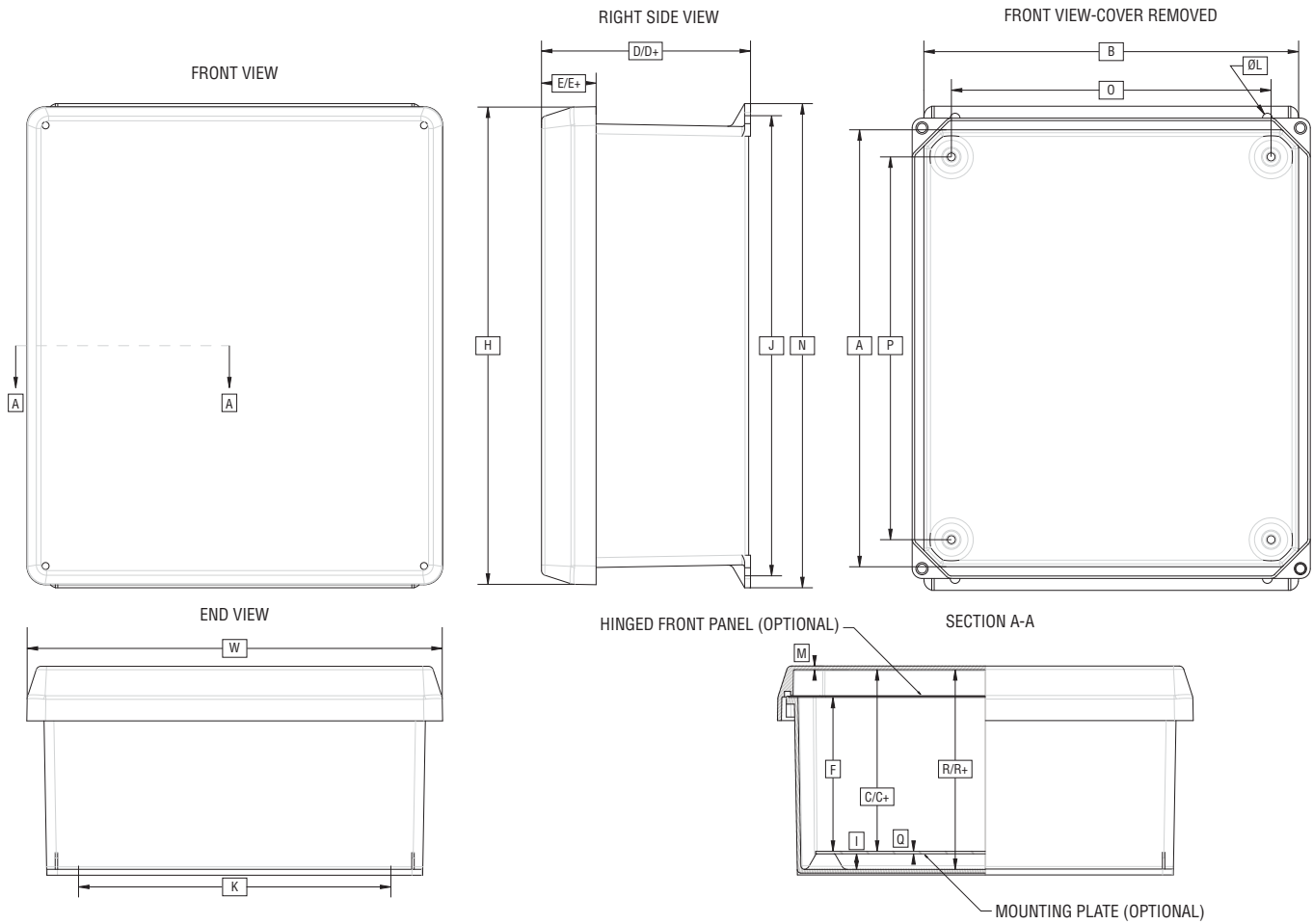
- All VJG enclosures are UL listed for NEMA 3, 3R, 12 & 13; CSA Certified per Standard C22.2- 0, 0.4, 0.7, 0.6, 94 Type 3, 3R, 12 & 13.

OPTIONAL ACCESSORIES

- Aluminum, Painted Steel or non-metallic Mounting Plates
- Aluminum Hinged Front Plates
- Aluminum Front Plates with quarter turn brackets
- MEDV Air Vents
- Backpanel stand-offs in four different lengths
- Non-metallic lift-off hinges

| Gasketed Window SS Hinge Part Numbers | Outside Dimension | | | Inside Dimension | | | Weight | Mounting Plates* | | | Front Panels | | |
|---|----------------------|------------------|-----------------|---------------------|------------------|-----------------|--------------------|------------------|---------|--------------|------------------------------|----------|-----------|
| | H | W | D | A | B | C | | Aluminum | Steel | Non-Metallic | Dimensions | Plain | Hinged |
| VJG606HW (mm) | 7.31 (185.8) | 7.31 (185.8) | 4.96 (126.0) | 6.00 (152.4) | 6.00 (152.4) | 4.21 (107.0) | 2.8 lb 6.2 kg | MP606A | MP606S | MP606N | 4.88 x 4.88 (124 x 124) | VFP606A | VFPH606A |
| VJG806HW (mm) | 9.31 (236.6) | 7.31 (185.8) | 4.96 (126.0) | 8.00 (203.2) | 6.00 (152.4) | 4.21 (107.0) | 3.8 lb 8.4 kg | MP806A | MP806S | MP806N | 6.75 x 4.88 (171 x 124) | VFP806A | VFPH806A |
| VJG1008HW (mm) | 11.31 (287.4) | 9.31 (236.6) | 5.43 (138.0) | 10.00 (254.0) | 8.00 (203.2) | 4.69 (119.0) | 4.8 lb 10.6 kg | MP1008A | MP1008S | MP1008N | 8.75 x 6.88 (222 x 175) | VFP1008A | VFPH1008A |
| VJG1210HW (mm) | 13.31 (338.2) | 11.31 (287.4) | 5.59 (142.0) | 12.00 (304.8) | 10.00 (254.0) | 4.84 (123.0) | 6.3 lb 13.9 kg | MP1210A | MP1210S | MP1210N | 10.50 x 8.88 (267 x 226) | VFP1210A | VFPH1210A |
| VJG1412HW (mm) | 15.32 (389) | 13.30 (338) | 6.70 (170.0) | 14.00 (355.6) | 12.00 (304.8) | 5.82 (147.8) | 8.6 lb 19.0 kg | MP1412A | MP1412S | MP1412N | 12.75 x 10.88 (324 x 276) | VFP1412A | VFPH1412A |
| VJG1614HW (mm) | 17.31 (439.8) | 15.31 (389) | 6.69 (170.0) | 16.00 (406.4) | 14.00 (355.6) | 5.82 (147.8) | 10.6 lb 12.4 kg | MP1614A | MP1614S | MP1614N | 14.75 x 12.88 (375 x 327) | VFP1614A | VFPH1614A |
| VJG1816HW (mm) | 19.31 (490.6) | 17.31 (439.8) | 9.57 (243.0) | 18.00 (457.2) | 16.00 (406.4) | 8.69 (220.8) | 14.0 lb 31 kg | MP1816A | MP1816S | MP1816N | 16.75 x 14.88 (426 x 378) | VFP1816A | VFPH1816A |

- * A aluminum back panel (.080" material thickness)
 S painted steel back panel (.060" material thickness)
 N non-metallic back panel (.187" material thickness)



| Part Numbers Gasketed Window SS Hinge | Dimensions | | | | | | | | | | | Window | | |
|---|----------------|-----------------|----------------|------------------|------------------|---------------|---------------|------------------|------------------|------------------|---------------|-----------------|----------------|----------------|
| | E | F | I | J | K | L | M | N | O | P | Q | R | Height | Width |
| VJG606HW (mm) | 1.38 (35.0) | 3.76 (95.5) | 0.37 (9.5) | 6.75 (171.5) | 4.00 (101.6) | 0.31 (8.0) | 0.12 (3.0) | 7.50 (190.5) | 4.25 (108.0) | 4.25 (108.0) | 0.08 (2.0) | 4.67 (118.5) | 4.00 (102) | 4.00 (102) |
| VJG806HW (mm) | 1.38 (35.0) | 3.76 (95.5) | 0.37 (9.5) | 8.75 (222.2) | 4.00 (101.6) | 0.31 (8.0) | 0.12 (3.0) | 9.50 (241.2) | 4.25 (108.0) | 6.26 (159.0) | 0.08 (2.0) | 4.67 (118.5) | 6.00 (152) | 4.00 (102) |
| VJG1008HW (mm) | 1.62 (41.2) | 4.01 (101.8) | 0.37 (9.5) | 10.75 (273.0) | 6.00 (152.5) | 0.31 (8.0) | 0.12 (3.0) | 11.50 (292.0) | 6.24 (158.5) | 8.25 (209.5) | 0.08 (2.0) | 5.14 (130.5) | 8.00 (203) | 6.00 (152) |
| VJG1210HW (mm) | 1.62 (41.2) | 4.13 (105.0) | 0.37 (9.5) | 12.76 (324.0) | 8.00 (203.2) | 0.31 (8.0) | 0.12 (3.0) | 13.50 (343.0) | 8.25 (209.5) | 10.26 (260.5) | 0.08 (2.0) | 5.30 (134.5) | 10.00 (254) | 8.00 (203) |
| VJG1412HW (mm) | 1.75 (44.4) | 4.92 (125.0) | 0.50 (12.7) | 14.75 (374.6) | 10.00 (254.0) | 0.31 (8.0) | 0.12 (3.0) | 15.51 (394.0) | 10.24 (260.0) | 12.26 (311.5) | 0.08 (2.0) | 6.40 (162.5) | 12.00 (305) | 10.00 (254) |
| VJG1614HW (mm) | 1.75 (44.4) | 5.01 (127.3) | 0.50 (12.7) | 16.75 (425.5) | 12.01 (305.0) | 0.31 (8.0) | 0.12 (3.0) | 17.52 (445.0) | 12.24 (311.0) | 14.25 (362.0) | 0.08 (2.0) | 6.40 (162.5) | 14.00 (356) | 12.00 (305) |
| VJG1816HW (mm) | 1.75 (44.4) | 7.89 (200.3) | 0.50 (12.7) | 18.75 (476.2) | 12.01 (305.0) | 0.31 (8.0) | 0.12 (3.0) | 19.49 (495.0) | 14.25 (362.0) | 16.26 (413.0) | 0.08 (2.0) | 9.27 (235.5) | 16.00 (406) | 14.00 (356) |

FRP NEMA rating 3, 3R, 12 & 13 VJG Series with Stainless Steel Padlockable Latch(es) and a Stainless Steel Piano Hinge. Gasketed Window on Cover



FEATURES

- All VJG Series enclosures are designed to meet the Joint Industrial Council (JIC) standards in the United States.
- VJG's are made from corrosion resistant hot compression molded fiberglass reinforced polyester with transparent lexana windows. These enclosures do not contain halogens.
- The VJG Series "HWPL" enclosures include one or two stainless steel padlockable latches to secure one side of the cover to the base and a stainless steel piano hinge that secures the other. Rivets connect the hinge to the cover and self-tapping screws connect the screws to the base.
- Seven sizes are available from 6" x 6" to 18" x 16"
- Vynckier's VJG enclosures are capable of withstanding continuous temperatures from -58°F (-50°C) up to 302°F (150°C).
- VJG enclosures provide protection for equipment and operators from indirect electrical contact.

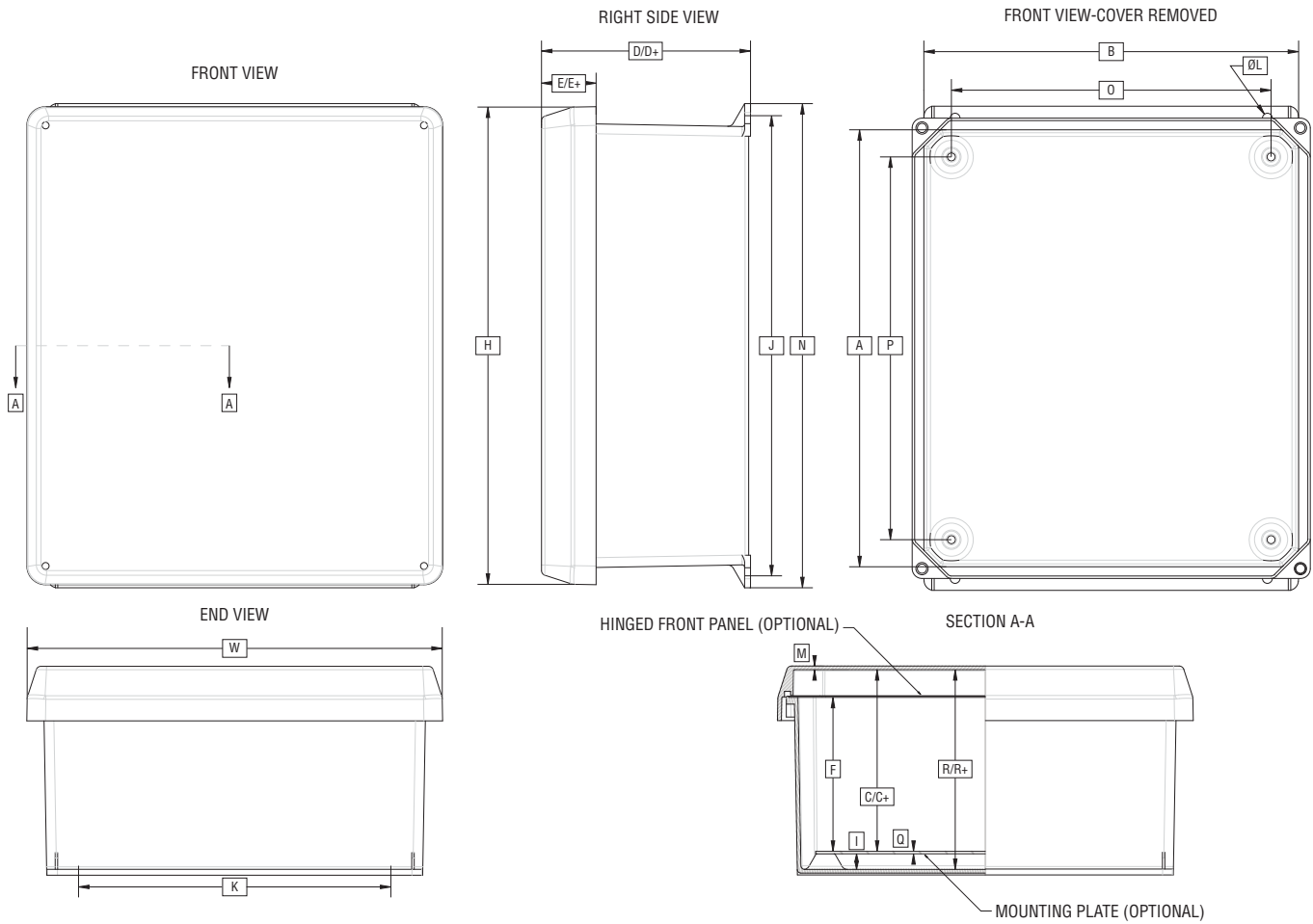
- All VJG enclosures are UL listed for NEMA 3, 3R, 12 & 13; CSA Certified per Standard C22.2- 0, 0.4, 0.7, 0.6, 94 Type 3, 3R, 12 & 13.

OPTIONAL ACCESSORIES

- Aluminum, Painted Steel or non-metallic Mounting Plates
- Aluminum Hinged Front Plates
- Aluminum Front Plates with quarter turn brackets
- MEDV Air Vents
- Backpanel stand-offs in four different lengths

| Gasketed Window SS Hinge Padlock Latch(es) | Outside Dimension | | | Inside Dimension | | | Weight | Mounting Plates* | | | Front Panels | | |
|--|-------------------|------------------|-----------------|------------------|------------------|-----------------|--------------------|------------------|---------|--------------|------------------------------|----------|-----------|
| | H | W | D | A | B | C | | Aluminum | Steel | Non-Metallic | Dimensions | Plain | Hinged |
| VJG606HWPL1 (mm) | 7.31 (185.8) | 7.31 (185.8) | 4.96 (126.0) | 6.00 (152.4) | 6.00 (152.4) | 4.21 (107.0) | 2.8 lb 6.2 kg | MP606A | MP606S | MP606N | 4.88 x 4.88 (124 x 124) | VFP606A | VFPH606A |
| VJG806HWPL1 (mm) | 9.31 (236.6) | 7.31 (185.8) | 4.96 (126.0) | 8.00 (203.2) | 6.00 (152.4) | 4.21 (107.0) | 3.8 lb 8.4 kg | MP806A | MP806S | MP806N | 6.75 x 4.88 (171 x 124) | VFP806A | VFPH806A |
| VJG1008HWPL1 (mm) | 11.31 (287.4) | 9.31 (236.6) | 5.43 (138.0) | 10.00 (254.0) | 8.00 (203.2) | 4.69 (119.0) | 4.8 lb 10.6 kg | MP1008A | MP1008S | MP1008N | 8.75 x 6.88 (222 x 175) | VFP1008A | VFPH1008A |
| VJG1210HWPL2 (mm) | 13.31 (338.2) | 11.31 (287.4) | 5.59 (142.0) | 12.00 (304.8) | 10.00 (254.0) | 4.84 (123.0) | 6.3 lb 13.9 kg | MP1210A | MP1210S | MP1210N | 10.50 x 8.88 (267 x 226) | VFP1210A | VFPH1210A |
| VJG1412HWPL2 (mm) | 15.32 (389) | 13.30 (338) | 6.70 (170.0) | 14.00 (355.6) | 12.00 (304.8) | 5.82 (147.8) | 8.6 lb 19.0 kg | MP1412A | MP1412S | MP1412N | 12.75 x 10.88 (324 x 276) | VFP1412A | VFPH1412A |
| VJG1614HWPL2 (mm) | 17.31 (439.8) | 15.31 (389) | 6.69 (170.0) | 16.00 (406.4) | 14.00 (355.6) | 5.82 (147.8) | 10.6 lb 12.4 kg | MP1614A | MP1614S | MP1614N | 14.75 x 12.88 (375 x 327) | VFP1614A | VFPH1614A |
| VJG1816HWPL2 (mm) | 19.31 (490.6) | 17.31 (439.8) | 9.57 (243.0) | 18.00 (457.2) | 16.00 (406.4) | 8.69 (220.8) | 14.0 lb 31 kg | MP1816A | MP1816S | MP1816N | 16.75 x 14.88 (426 x 378) | VFP1816A | VFPH1816A |

* A aluminum back panel (.080" material thickness)
 S painted steel back panel (.060" material thickness)
 N non-metallic back panel (.187" material thickness)



| Gasketed Window SS Hinge Padlock Latch(es) | Dimensions | | | | | | | | | | | | Window | |
|--|----------------|-----------------|----------------|------------------|------------------|---------------|---------------|------------------|------------------|------------------|---------------|-----------------|----------------|----------------|
| | E | F | I | J | K | L | M | N | O | P | Q | R | Height | Width |
| VJG606HWPL1 (mm) | 1.38 (35.0) | 3.76 (95.5) | 0.37 (9.5) | 6.75 (171.5) | 4.00 (101.6) | 0.31 (8.0) | 0.12 (3.0) | 7.50 (190.5) | 4.25 (108.0) | 4.25 (108.0) | 0.08 (2.0) | 4.67 (118.5) | 4.00 (102) | 4.00 (102) |
| VJG806HWPL1 (mm) | 1.38 (35.0) | 3.76 (95.5) | 0.37 (9.5) | 8.75 (222.2) | 4.00 (101.6) | 0.31 (8.0) | 0.12 (3.0) | 9.50 (241.2) | 4.25 (108.0) | 6.26 (159.0) | 0.08 (2.0) | 4.67 (118.5) | 6.00 (152) | 4.00 (102) |
| VJG1008HWPL1 (mm) | 1.62 (41.2) | 4.01 (101.8) | 0.37 (9.5) | 10.75 (273.0) | 6.00 (152.5) | 0.31 (8.0) | 0.12 (3.0) | 11.50 (292.0) | 6.24 (158.5) | 8.25 (209.5) | 0.08 (2.0) | 5.14 (130.5) | 8.00 (203) | 6.00 (152) |
| VJG1210HWPL2 (mm) | 1.62 (41.2) | 4.13 (105.0) | 0.37 (9.5) | 12.76 (324.0) | 8.00 (203.2) | 0.31 (8.0) | 0.12 (3.0) | 13.50 (343.0) | 8.25 (209.5) | 10.26 (260.5) | 0.08 (2.0) | 5.30 (134.5) | 10.00 (254) | 8.00 (203) |
| VJG1412HWPL2 (mm) | 1.75 (44.4) | 4.92 (125.0) | 0.50 (12.7) | 14.75 (374.6) | 10.00 (254.0) | 0.31 (8.0) | 0.12 (3.0) | 15.51 (394.0) | 10.24 (260.0) | 12.26 (311.5) | 0.08 (2.0) | 6.40 (162.5) | 12.00 (305) | 10.00 (254) |
| VJG1614HWPL2 (mm) | 1.75 (44.4) | 5.01 (127.3) | 0.50 (12.7) | 16.75 (425.5) | 12.01 (305.0) | 0.31 (8.0) | 0.12 (3.0) | 17.52 (445.0) | 12.24 (311.0) | 14.25 (362.0) | 0.08 (2.0) | 6.40 (162.5) | 14.00 (356) | 12.00 (305) |
| VJG1816HWPL2 (mm) | 1.75 (44.4) | 7.89 (200.3) | 0.50 (12.7) | 18.75 (476.2) | 12.01 (305.0) | 0.31 (8.0) | 0.12 (3.0) | 19.49 (495.0) | 14.25 (362.0) | 16.26 (413.0) | 0.08 (2.0) | 9.27 (235.5) | 16.00 (406) | 14.00 (356) |

FRP NEMA rating 3, 3R, 12 & 13 VJG Series with Stainless Steel Twist Latch(es) and a Stainless Steel Piano Hinge. Gasketed Window on Cover



FEATURES

- All VJG Series enclosures are designed to meet the Joint Industrial Council (JIC) standards in the United States.
- VJG's are made from corrosion resistant hot compression molded fiberglass reinforced polyester with transparent lexana windows. These enclosures do not contain halogens.
- The VJG Series "HWLL" enclosures include one or two stainless steel twist latches to secure one side of the cover to the base and a stainless steel piano hinge that secures the other. Rivets connect the hinge to the cover and self-tapping screws connect the screws to the base.
- Seven sizes are available from 6" x 6" to 18" x 16"
- Vynckier's VJG enclosures are capable of withstanding continuous temperatures from -58°F (-50°C) up to 302°F (150°C).
- VJG enclosures provide protection for equipment and operators from indirect electrical contact.

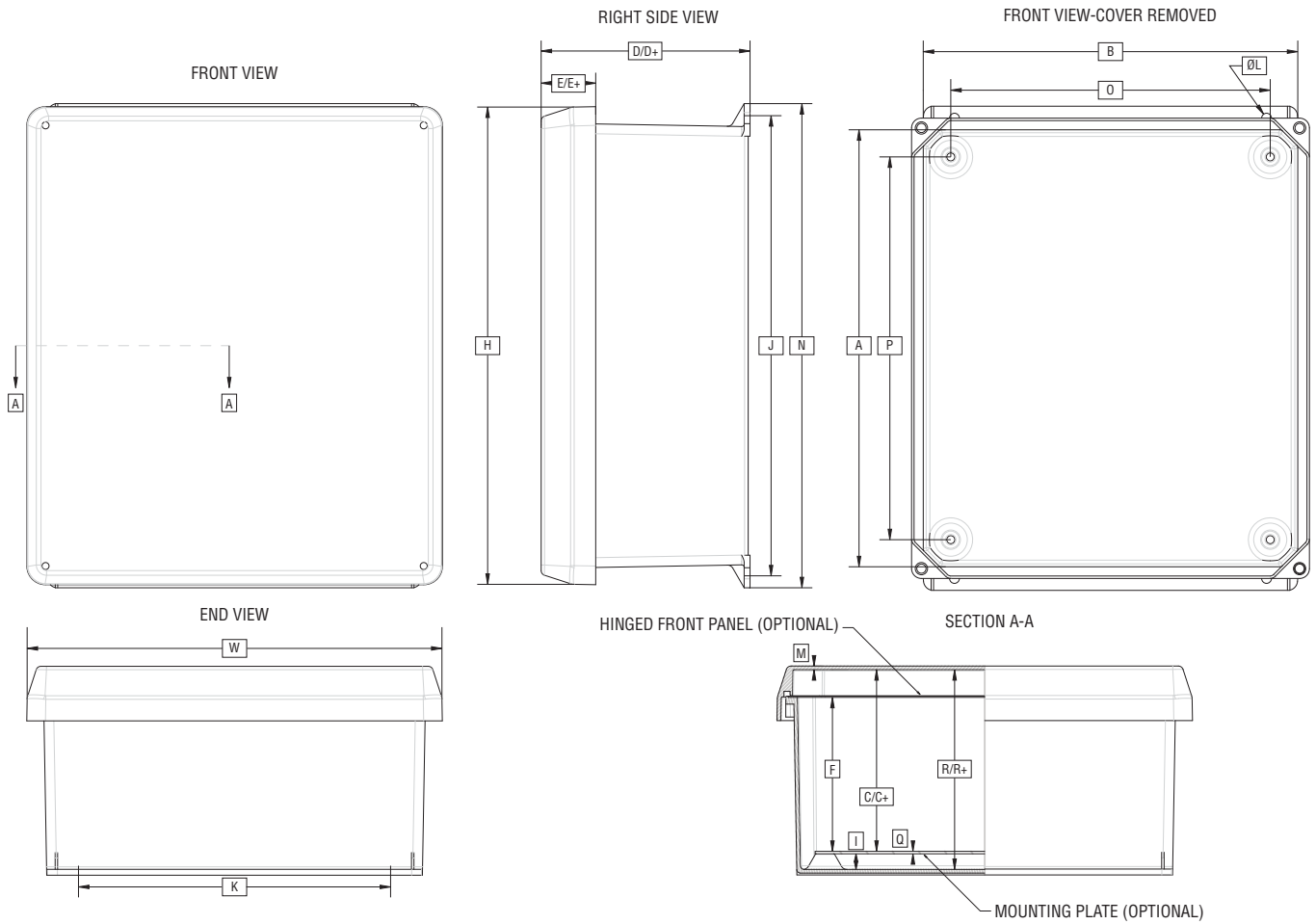
- All VJG enclosures are UL listed for NEMA 3, 3R, 12 & 13; CSA Certified per Standard C22.2- 0, 0.4, 0.7, 0.6, 94 Type 3, 3R, 12 & 13.

OPTIONAL ACCESSORIES

- Aluminum, Painted Steel or non-metallic Mounting Plates
- Aluminum Hinged Front Plates
- Aluminum Front Plates with quarter turn brackets
- MEDV Air Vents
- Backpanel stand-offs in four different lengths

| Gasketed Window SS Hinge Twist Latch(es) | Outside Dimension | | | Inside Dimension | | | Weight | Mounting Plates* | | | Dimensions | Front Panels | |
|--|-------------------|------------------|-----------------|------------------|------------------|-----------------|--------------------|------------------|---------|--------------|------------------------------|--------------|-----------|
| | H | W | D | A | B | C | | Aluminum | Steel | Non-Metallic | | Plain | Hinged |
| VJG606HWLL1 (mm) | 7.31 (185.8) | 7.31 (185.8) | 4.96 (126.0) | 6.00 (152.4) | 6.00 (152.4) | 4.21 (107.0) | 2.8 lb 6.2 kg | MP606A | MP606S | MP606N | 4.88 x 4.88 (124 x 124) | VFP606A | VFPH606A |
| VJG806HWLL1 (mm) | 9.31 (236.6) | 7.31 (185.8) | 4.96 (126.0) | 8.00 (203.2) | 6.00 (152.4) | 4.21 (107.0) | 3.8 lb 8.4 kg | MP806A | MP806S | MP806N | 6.75 x 4.88 (171 x 124) | VFP806A | VFPH806A |
| VJG1008HWLL1 (mm) | 11.31 (287.4) | 9.31 (236.6) | 5.43 (138.0) | 10.00 (254.0) | 8.00 (203.2) | 4.69 (119.0) | 4.8 lb 10.6 kg | MP1008A | MP1008S | MP1008N | 8.75 x 6.88 (222 x 175) | VFP1008A | VFPH1008A |
| VJG1210HWLL2 (mm) | 13.31 (338.2) | 11.31 (287.4) | 5.59 (142.0) | 12.00 (304.8) | 10.00 (254.0) | 4.84 (123.0) | 6.3 lb 13.9 kg | MP1210A | MP1210S | MP1210N | 10.50 x 8.88 (267 x 226) | VFP1210A | VFPH1210A |
| VJG1412HWLL2 (mm) | 15.32 (389) | 13.30 (338) | 6.70 (170.0) | 14.00 (355.6) | 12.00 (304.8) | 5.82 (147.8) | 8.6 lb 19.0 kg | MP1412A | MP1412S | MP1412N | 12.75 x 10.88 (324 x 276) | VFP1412A | VFPH1412A |
| VJG1614HWLL2 (mm) | 17.31 (439.8) | 15.31 (389) | 6.69 (170.0) | 16.00 (406.4) | 14.00 (355.6) | 5.82 (147.8) | 10.6 lb 12.4 kg | MP1614A | MP1614S | MP1614N | 14.75 x 12.88 (375 x 327) | VFP1614A | VFPH1614A |
| VJG1816HWLL2 (mm) | 19.31 (490.6) | 17.31 (439.8) | 9.57 (243.0) | 18.00 (457.2) | 16.00 (406.4) | 8.69 (220.8) | 14.0 lb 31 kg | MP1816A | MP1816S | MP1816N | 16.75 x 14.88 (426 x 378) | VFP1816A | VFPH1816A |

* A aluminum back panel (.080" material thickness)
 S painted steel back panel (.060" material thickness)
 N non-metallic back panel (.187" material thickness)



| Gasketed Window SS Hinge Twist Latch(es) | Dimensions | | | | | | | | | | | | Window | |
|--|----------------|-----------------|----------------|------------------|------------------|---------------|---------------|------------------|------------------|------------------|---------------|-----------------|----------------|----------------|
| | E | F | I | J | K | L | M | N | O | P | Q | R | Height | Width |
| VJG606HWLL1 (mm) | 1.38 (35.0) | 3.76 (95.5) | 0.37 (9.5) | 6.75 (171.5) | 4.00 (101.6) | 0.31 (8.0) | 0.12 (3.0) | 7.50 (190.5) | 4.25 (108.0) | 4.25 (108.0) | 0.08 (2.0) | 4.67 (118.5) | 4.00 (102) | 4.00 (102) |
| VJG806HWLL1 (mm) | 1.38 (35.0) | 3.76 (95.5) | 0.37 (9.5) | 8.75 (222.2) | 4.00 (101.6) | 0.31 (8.0) | 0.12 (3.0) | 9.50 (241.2) | 4.25 (108.0) | 6.26 (159.0) | 0.08 (2.0) | 4.67 (118.5) | 6.00 (152) | 4.00 (102) |
| VJG1008HWLL1 (mm) | 1.62 (41.2) | 4.01 (101.8) | 0.37 (9.5) | 10.75 (273.0) | 6.00 (152.5) | 0.31 (8.0) | 0.12 (3.0) | 11.50 (292.0) | 6.24 (158.5) | 8.25 (209.5) | 0.08 (2.0) | 5.14 (130.5) | 8.00 (203) | 6.00 (152) |
| VJG1210HWLL2 (mm) | 1.62 (41.2) | 4.13 (105.0) | 0.37 (9.5) | 12.76 (324.0) | 8.00 (203.2) | 0.31 (8.0) | 0.12 (3.0) | 13.50 (343.0) | 8.25 (209.5) | 10.26 (260.5) | 0.08 (2.0) | 5.30 (134.5) | 10.00 (254) | 8.00 (203) |
| VJG1412HWLL2 (mm) | 1.75 (44.4) | 4.92 (125.0) | 0.50 (12.7) | 14.75 (374.6) | 10.00 (254.0) | 0.31 (8.0) | 0.12 (3.0) | 15.51 (394.0) | 10.24 (260.0) | 12.26 (311.5) | 0.08 (2.0) | 6.40 (162.5) | 12.00 (305) | 10.00 (254) |
| VJG1614HWLL2 (mm) | 1.75 (44.4) | 5.01 (127.3) | 0.50 (12.7) | 16.75 (425.5) | 12.01 (305.0) | 0.31 (8.0) | 0.12 (3.0) | 17.52 (445.0) | 12.24 (311.0) | 14.25 (362.0) | 0.08 (2.0) | 6.40 (162.5) | 14.00 (356) | 12.00 (305) |
| VJG1816HWLL2 (mm) | 1.75 (44.4) | 7.89 (200.3) | 0.50 (12.7) | 18.75 (476.2) | 12.01 (305.0) | 0.31 (8.0) | 0.12 (3.0) | 19.49 (495.0) | 14.25 (362.0) | 16.26 (413.0) | 0.08 (2.0) | 9.27 (235.5) | 16.00 (406) | 14.00 (356) |

FRP NEMA rating 3, 3R, 12 & 13 VJG Series with 2 Captive Stainless Steel Cover Screws and 2 Non-metallic Hinges. Gasketed Window on Cover



FEATURES

- All VJG Series enclosures are designed to meet the Joint Industrial Council (JIC) standards in the United States.
- VJG's are made from corrosion resistant hot compression molded fiberglass reinforced polyester with transparent lexana windows. These enclosures do not contain halogens.
- The VJG Series "NHW" enclosures include two stainless steel captive screws and two non-metallic hinges that secure the cover to the base. Two threaded brass inserts contained in the base secure the cover screws. Self tapping screws connect the hinges to the cover and base.
- Seven sizes are available from 6" x 6" to 18" x 16"
- Vynckier's VJG enclosures are capable of withstanding continuous temperatures from -58°F (-50°C) up to 302°F (150°C).
- VJG enclosures provide protection for equipment and operators from indirect electrical contact.

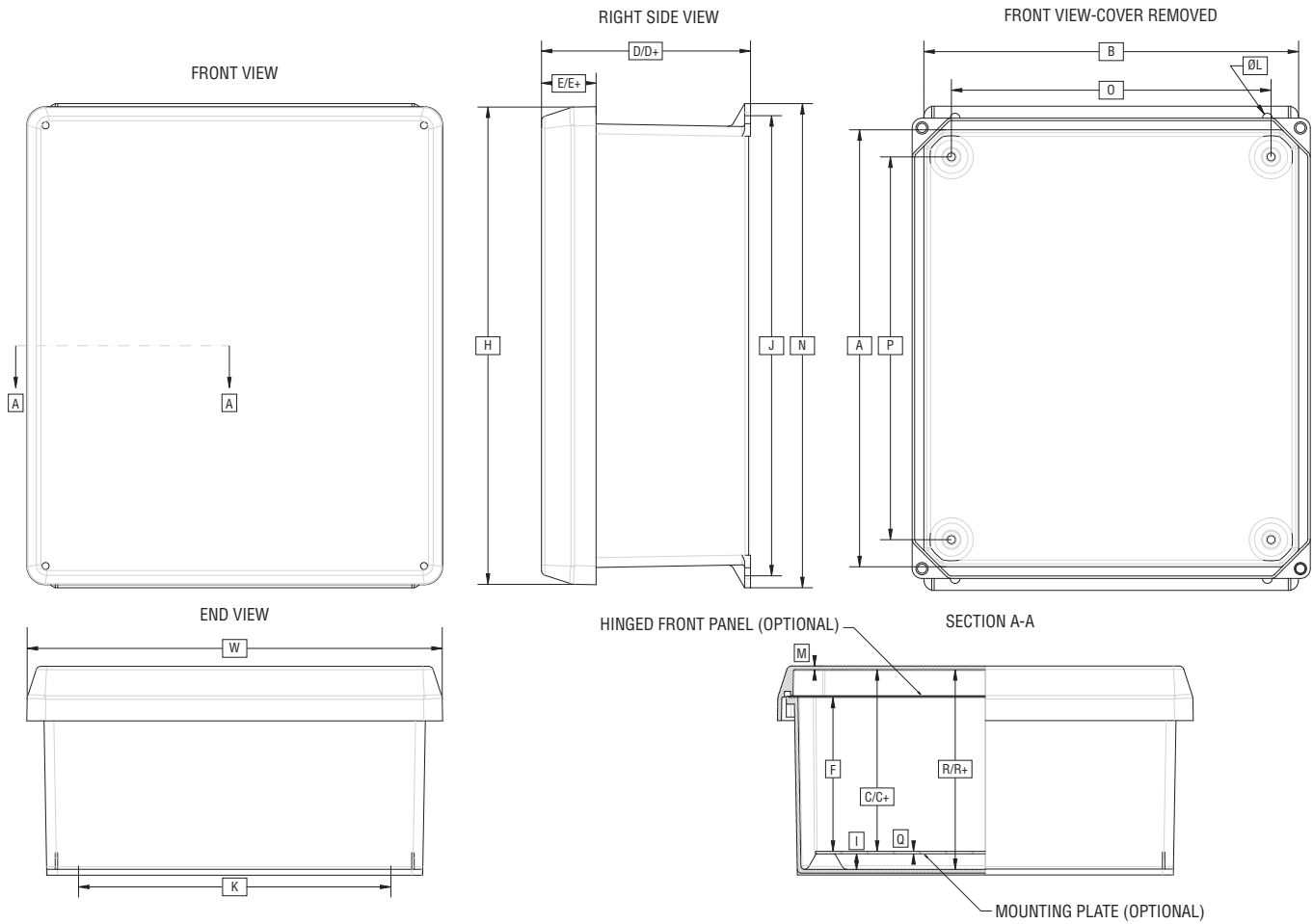
- All VJG enclosures are UL listed for NEMA 3, 3R, 12 & 13; CSA Certified per Standard C22.2- 0, 0.4, 0.7, 0.6, 94 Type 3, 3R, 12 & 13.

OPTIONAL ACCESSORIES

- Aluminum, Painted Steel or non-metallic Mounting Plates
- Aluminum Hinged Front Plates
- Aluminum Front Plates with quarter turn brackets
- MEDV Air Vents
- Backpanel stand-offs in four different lengths
- Non-Metallic Lift-off Hinges

| Gasketed Window SS Screws N-M Hinges | Outside Dimension | | | Inside Dimension | | | Weight | Mounting Plates* | | | Front Panels | | |
|--|-------------------|------------------|-----------------|------------------|------------------|-----------------|--------------------|------------------|---------|--------------|------------------------------|----------|-----------|
| | H | W | D | A | B | C | | Aluminum | Steel | Non-Metallic | Dimensions | Plain | Hinged |
| VJG606NHW (mm) | 7.31 (185.8) | 7.31 (185.8) | 4.96 (126.0) | 6.00 (152.4) | 6.00 (152.4) | 4.21 (107.0) | 2.8 lb 6.2 kg | MP606A | MP606S | MP606N | 4.88 x 4.88 (124 x 124) | VFP606A | VFPH606A |
| VJG806NHW (mm) | 9.31 (236.6) | 7.31 (185.8) | 4.96 (126.0) | 8.00 (203.2) | 6.00 (152.4) | 4.21 (107.0) | 3.8 lb 8.4 kg | MP806A | MP806S | MP806N | 6.75 x 4.88 (171 x 124) | VFP806A | VFPH806A |
| VJG1008NHW (mm) | 11.31 (287.4) | 9.31 (236.6) | 5.43 (138.0) | 10.00 (254.0) | 8.00 (203.2) | 4.69 (119.0) | 4.8 lb 10.6 kg | MP1008A | MP1008S | MP1008N | 8.75 x 6.88 (222 x 175) | VFP1008A | VFPH1008A |
| VJG1210NHW (mm) | 13.31 (338.2) | 11.31 (287.4) | 5.59 (142.0) | 12.00 (304.8) | 10.00 (254.0) | 4.84 (123.0) | 6.3 lb 13.9 kg | MP1210A | MP1210S | MP1210N | 10.50 x 8.88 (267 x 226) | VFP1210A | VFPH1210A |
| VJG1412NHW (mm) | 15.32 (389) | 13.30 (338) | 6.70 (170.0) | 14.00 (355.6) | 12.00 (304.8) | 5.82 (147.8) | 8.6 lb 19.0 kg | MP1412A | MP1412S | MP1412N | 12.75 x 10.88 (324 x 276) | VFP1412A | VFPH1412A |
| VJG1614NHW (mm) | 17.31 (439.8) | 15.31 (389) | 6.69 (170.0) | 16.00 (406.4) | 14.00 (355.6) | 5.82 (147.8) | 10.6 lb 12.4 kg | MP1614A | MP1614S | MP1614N | 14.75 x 12.88 (375 x 327) | VFP1614A | VFPH1614A |
| VJG1816NHW (mm) | 19.31 (490.6) | 17.31 (439.8) | 9.57 (243.0) | 18.00 (457.2) | 16.00 (406.4) | 8.69 (220.8) | 14.0 lb 31 kg | MP1816A | MP1816S | MP1816N | 16.75 x 14.88 (426 x 378) | VFP1816A | VFPH1816A |

* A aluminum back panel (.080" material thickness)
 S painted steel back panel (.060" material thickness)
 N non-metallic back panel (.187" material thickness)



| Gasketed Window SS Screws & N-M Hinges | Dimensions | | | | | | | | | | | | Window | |
|--|----------------|-----------------|----------------|------------------|------------------|---------------|---------------|------------------|------------------|------------------|---------------|-----------------|----------------|----------------|
| | E | F | I | J | K | L | M | N | O | P | Q | R | Height | Width |
| VJG606NHW (mm) | 1.38 (35.0) | 3.76 (95.5) | 0.37 (9.5) | 6.75 (171.5) | 4.00 (101.6) | 0.31 (8.0) | 0.12 (3.0) | 7.50 (190.5) | 4.25 (108.0) | 4.25 (108.0) | 0.08 (2.0) | 4.67 (118.5) | 4.00 (102) | 4.00 (102) |
| VJG806NHW (mm) | 1.38 (35.0) | 3.76 (95.5) | 0.37 (9.5) | 8.75 (222.2) | 4.00 (101.6) | 0.31 (8.0) | 0.12 (3.0) | 9.50 (241.2) | 4.25 (108.0) | 6.26 (159.0) | 0.08 (2.0) | 4.67 (118.5) | 6.00 (152) | 4.00 (102) |
| VJG1008NHW (mm) | 1.62 (41.2) | 4.01 (101.8) | 0.37 (9.5) | 10.75 (273.0) | 6.00 (152.5) | 0.31 (8.0) | 0.12 (3.0) | 11.50 (292.0) | 6.24 (158.5) | 8.25 (209.5) | 0.08 (2.0) | 5.14 (130.5) | 8.00 (203) | 6.00 (152) |
| VJG1210NHW (mm) | 1.62 (41.2) | 4.13 (105.0) | 0.37 (9.5) | 12.76 (324.0) | 8.00 (203.2) | 0.31 (8.0) | 0.12 (3.0) | 13.50 (343.0) | 8.25 (209.5) | 10.26 (260.5) | 0.08 (2.0) | 5.30 (134.5) | 10.00 (254) | 8.00 (203) |
| VJG1412NHW (mm) | 1.75 (44.4) | 4.92 (125.0) | 0.50 (12.7) | 14.75 (374.6) | 10.00 (254.0) | 0.31 (8.0) | 0.12 (3.0) | 15.51 (394.0) | 10.24 (260.0) | 12.26 (311.5) | 0.08 (2.0) | 6.40 (162.5) | 12.00 (305) | 10.00 (254) |
| VJG1614NHW (mm) | 1.75 (44.4) | 5.01 (127.3) | 0.50 (12.7) | 16.75 (425.5) | 12.01 (305.0) | 0.31 (8.0) | 0.12 (3.0) | 17.52 (445.0) | 12.24 (311.0) | 14.25 (362.0) | 0.08 (2.0) | 6.40 (162.5) | 14.00 (356) | 12.00 (305) |
| VJG1816NHW (mm) | 1.75 (44.4) | 7.89 (200.3) | 0.50 (12.7) | 18.75 (476.2) | 12.01 (305.0) | 0.31 (8.0) | 0.12 (3.0) | 19.49 (495.0) | 14.25 (362.0) | 16.26 (413.0) | 0.08 (2.0) | 9.27 (235.5) | 16.00 (406) | 14.00 (356) |

FRP NEMA rating 3, 3R, 12 & 13 VJG Series with Stainless Steel Padlockable Latch(es) and 2 Non-metallic Hinges. Gasketed Window on Cover



FEATURES

- All VJG Series enclosures are designed to meet the Joint Industrial Council (JIC) standards in the United States.
- VJG's are made from corrosion resistant hot compression molded fiberglass reinforced polyester with transparent lexana windows. These enclosures do not contain halogens.
- The VJG Series "NHWPL" enclosures include one or two stainless steel padlockable latches to secure one side of the cover to the base with two non-metallic hinges that secures the other. Self-tapping screws connect the hinges to the cover and base.
- Seven sizes are available from 6" x 6" to 18" x 16"
- Vynckier's VJG enclosures are capable of withstanding continuous temperatures from -58°F (-50°C) up to 302°F (150°C).
- VJG enclosures provide protection for equipment and operators from indirect electrical contact.

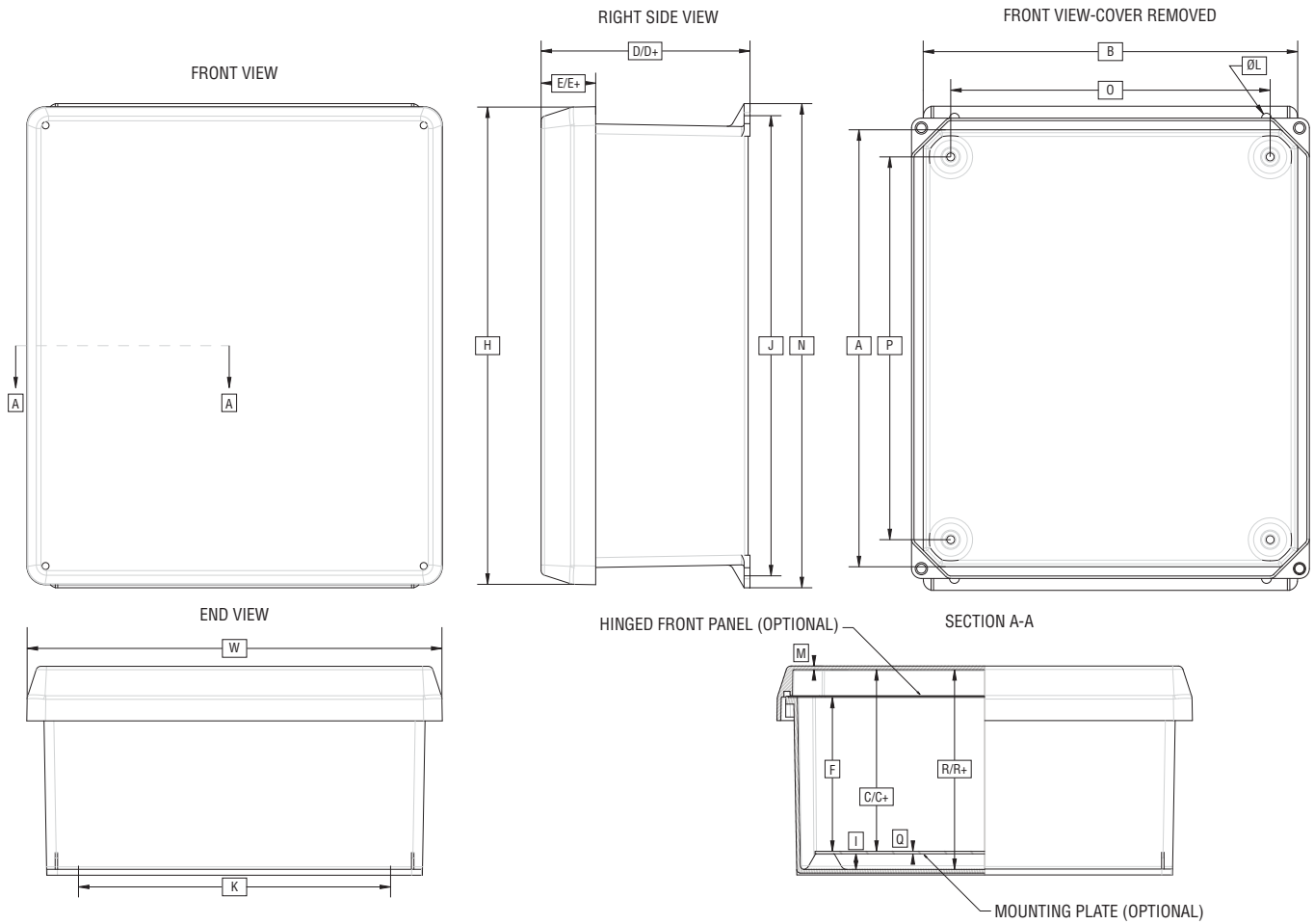
- All VJG enclosures are UL listed for NEMA 3, 3R, 12 & 13; CSA Certified per Standard C22.2- 0, 0.4, 0.7, 0.6, 94 Type 3, 3R, 12 & 13.

OPTIONAL ACCESSORIES

- Aluminum, Painted Steel or non-metallic Mounting Plates
- Aluminum Hinged Front Plates
- Aluminum Front Plates with quarter turn brackets
- MEDV Air Vents
- Backpanel stand-offs in four different lengths
- Non-Metallic Lift-off Hinges

| Gasketed Window N-M Hinge Padlock Latch(es) | Outside Dimension | | | Inside Dimension | | | Weight | Mounting Plates* | | | Front Panels | | |
|---|----------------------|------------------|-----------------|---------------------|------------------|-----------------|--------------------|------------------|---------|--------------|------------------------------|----------|-----------|
| | H | W | D | A | B | C | | Aluminum | Steel | Non-Metallic | Dimensions | Plain | Hinged |
| VJG606NHWPL1 (mm) | 7.31 (185.8) | 7.31 (185.8) | 4.96 (126.0) | 6.00 (152.4) | 6.00 (152.4) | 4.21 (107.0) | 2.8 lb 6.2 kg | MP606A | MP606S | MP606N | 4.88 x 4.88 (124 x 124) | VFP606A | VFPH606A |
| VJG806NHWPL1 (mm) | 9.31 (236.6) | 7.31 (185.8) | 4.96 (126.0) | 8.00 (203.2) | 6.00 (152.4) | 4.21 (107.0) | 3.8 lb 8.4 kg | MP806A | MP806S | MP806N | 6.75 x 4.88 (171 x 124) | VFP806A | VFPH806A |
| VJG1008NHWPL1 (mm) | 11.31 (287.4) | 9.31 (236.6) | 5.43 (138.0) | 10.00 (254.0) | 8.00 (203.2) | 4.69 (119.0) | 4.8 lb 10.6 kg | MP1008A | MP1008S | MP1008N | 8.75 x 6.88 (222 x 175) | VFP1008A | VFPH1008A |
| VJG1210NHWPL2 (mm) | 13.31 (338.2) | 11.31 (287.4) | 5.59 (142.0) | 12.00 (304.8) | 10.00 (254.0) | 4.84 (123.0) | 6.3 lb 13.9 kg | MP1210A | MP1210S | MP1210N | 10.50 x 8.88 (267 x 226) | VFP1210A | VFPH1210A |
| VJG1412NHWPL2 (mm) | 15.32 (389) | 13.30 (338) | 6.70 (170.0) | 14.00 (355.6) | 12.00 (304.8) | 5.82 (147.8) | 8.6 lb 19.0 kg | MP1412A | MP1412S | MP1412N | 12.75 x 10.88 (324 x 276) | VFP1412A | VFPH1412A |
| VJG1614NHWPL2 (mm) | 17.31 (439.8) | 15.31 (389) | 6.69 (170.0) | 16.00 (406.4) | 14.00 (355.6) | 5.82 (147.8) | 10.6 lb 12.4 kg | MP1614A | MP1614S | MP1614N | 14.75 x 12.88 (375 x 327) | VFP1614A | VFPH1614A |
| VJG1816NHWPL2 (mm) | 19.31 (490.6) | 17.31 (439.8) | 9.57 (243.0) | 18.00 (457.2) | 16.00 (406.4) | 8.69 (220.8) | 14.0 lb 31 kg | MP1816A | MP1816S | MP1816N | 16.75 x 14.88 (426 x 378) | VFP1816A | VFPH1816A |

- * A aluminum back panel (.080" material thickness)
 S painted steel back panel (.060" material thickness)
 N non-metallic back panel (.187" material thickness)



| Gasketed Window N-M Hinge Padlock Latch(es) | Dimensions | | | | | | | | | | | Window | | |
|---|----------------|-----------------|----------------|------------------|------------------|---------------|---------------|------------------|------------------|------------------|---------------|-----------------|----------------|----------------|
| | E | F | I | J | K | L | M | N | O | P | Q | R | Height | Width |
| VJG606NHWPL1 (mm) | 1.38 (35.0) | 3.76 (95.5) | 0.37 (9.5) | 6.75 (171.5) | 4.00 (101.6) | 0.31 (8.0) | 0.12 (3.0) | 7.50 (190.5) | 4.25 (108.0) | 4.25 (108.0) | 0.08 (2.0) | 4.67 (118.5) | 4.00 (102) | 4.00 (102) |
| VJG806NHWPL1 (mm) | 1.38 (35.0) | 3.76 (95.5) | 0.37 (9.5) | 8.75 (222.2) | 4.00 (101.6) | 0.31 (8.0) | 0.12 (3.0) | 9.50 (241.2) | 4.25 (108.0) | 6.26 (159.0) | 0.08 (2.0) | 4.67 (118.5) | 6.00 (152) | 4.00 (102) |
| VJG1008NHWPL1 (mm) | 1.62 (41.2) | 4.01 (101.8) | 0.37 (9.5) | 10.75 (273.0) | 6.00 (152.5) | 0.31 (8.0) | 0.12 (3.0) | 11.50 (292.0) | 6.24 (158.5) | 8.25 (209.5) | 0.08 (2.0) | 5.14 (130.5) | 8.00 (203) | 6.00 (152) |
| VJG1210NHWPL2 (mm) | 1.62 (41.2) | 4.13 (105.0) | 0.37 (9.5) | 12.76 (324.0) | 8.00 (203.2) | 0.31 (8.0) | 0.12 (3.0) | 13.50 (343.0) | 8.25 (209.5) | 10.26 (260.5) | 0.08 (2.0) | 5.30 (134.5) | 10.00 (254) | 8.00 (203) |
| VJG1412NHWPL2 (mm) | 1.75 (44.4) | 4.92 (125.0) | 0.50 (12.7) | 14.75 (374.6) | 10.00 (254.0) | 0.31 (8.0) | 0.12 (3.0) | 15.51 (394.0) | 10.24 (260.0) | 12.26 (311.5) | 0.08 (2.0) | 6.40 (162.5) | 12.00 (305) | 10.00 (254) |
| VJG1614NHWPL2 (mm) | 1.75 (44.4) | 5.01 (127.3) | 0.50 (12.7) | 16.75 (425.5) | 12.01 (305.0) | 0.31 (8.0) | 0.12 (3.0) | 17.52 (445.0) | 12.24 (311.0) | 14.25 (362.0) | 0.08 (2.0) | 6.40 (162.5) | 14.00 (356) | 12.00 (305) |
| VJG1816NHWPL2 (mm) | 1.75 (44.4) | 7.89 (200.3) | 0.50 (12.7) | 18.75 (476.2) | 12.01 (305.0) | 0.31 (8.0) | 0.12 (3.0) | 19.49 (495.0) | 14.25 (362.0) | 16.26 (413.0) | 0.08 (2.0) | 9.27 (235.5) | 16.00 (406) | 14.00 (356) |

FRP NEMA rating 3, 3R, 12 & 13 VJG Series with 2 Stainless Steel Twist Latch(es) and 2 Non-metallic Hinges. Gasketed Window on Cover



FEATURES

- All VJG Series enclosures are designed to meet the Joint Industrial Council (JIC) standards in the United States.
- VJG's are made from corrosion resistant hot compression molded fiberglass reinforced polyester with transparent lexana windows. These enclosures do not contain halogens.
- The VJG Series "NHWLL" enclosures include one or two stainless steel twist latches to secure one side of the cover to the base with two non-metallic hinges that secures the other. Self-tapping screws connect the hinges to the cover and base.
- Seven sizes are available from 6" x 6" to 18" x 16"
- Vynckier's VJG enclosures are capable of withstanding continuous temperatures from -58°F (-50°C) up to 302°F (150°C).
- VJG enclosures provide protection for equipment and operators from indirect electrical contact.

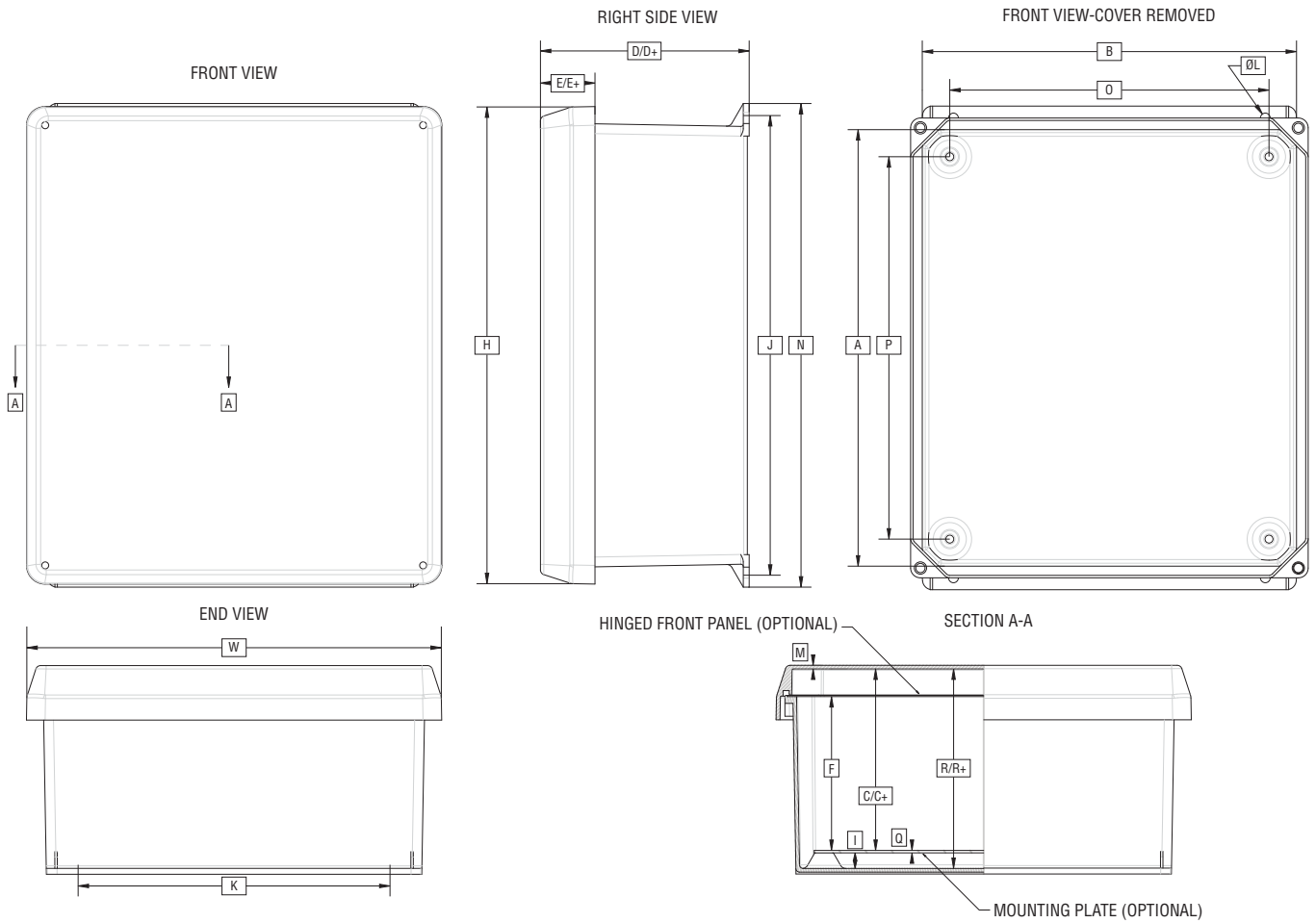
- All VJG enclosures are UL listed for NEMA 3, 3R, 12 & 13; CSA Certified per Standard C22.2- 0, 0.4, 0.7, 0.6, 94 Type 3, 3R, 12 & 13.

OPTIONAL ACCESSORIES

- Aluminum, Painted Steel or non-metallic Mounting Plates
- Aluminum Hinged Front Plates
- Aluminum Front Plates with quarter turn brackets
- MEDV Air Vents
- Backpanel stand-offs in four different lengths
- Non-Metallic Lift-off Hinges

| Gasketed Window N-M Hinge Twist Latch(es) | Outside Dimension | | | Inside Dimension | | | Weight | Mounting Plates* | | | Front Panels | | |
|---|-------------------|------------------|-----------------|------------------|------------------|-----------------|--------------------|------------------|---------|--------------|------------------------------|----------|-----------|
| | H | W | D | A | B | C | | Aluminum | Steel | Non-Metallic | Dimensions | Plain | Hinged |
| VJG606NHWLL1 (mm) | 7.31 (185.8) | 7.31 (185.8) | 4.96 (126.0) | 6.00 (152.4) | 6.00 (152.4) | 4.21 (107.0) | 2.8 lb 6.2 kg | MP606A | MP606S | MP606N | 4.88 x 4.88 (124 x 124) | VFP606A | VFPH606A |
| VJG806NHWLL1 (mm) | 9.31 (236.6) | 7.31 (185.8) | 4.96 (126.0) | 8.00 (203.2) | 6.00 (152.4) | 4.21 (107.0) | 3.8 lb 8.4 kg | MP806A | MP806S | MP806N | 6.75 x 4.88 (171 x 124) | VFP806A | VFPH806A |
| VJG1008NHWLL1 (mm) | 11.31 (287.4) | 9.31 (236.6) | 5.43 (138.0) | 10.00 (254.0) | 8.00 (203.2) | 4.69 (119.0) | 4.8 lb 10.6 kg | MP1008A | MP1008S | MP1008N | 8.75 x 6.88 (222 x 175) | VFP1008A | VFPH1008A |
| VJG1210NHWLL2 (mm) | 13.31 (338.2) | 11.31 (287.4) | 5.59 (142.0) | 12.00 (304.8) | 10.00 (254.0) | 4.84 (123.0) | 6.3 lb 13.9 kg | MP1210A | MP1210S | MP1210N | 10.50 x 8.88 (267 x 226) | VFP1210A | VFPH1210A |
| VJG1412NHWLL2 (mm) | 15.32 (389) | 13.30 (338) | 6.70 (170.0) | 14.00 (355.6) | 12.00 (304.8) | 5.82 (147.8) | 8.6 lb 19.0 kg | MP1412A | MP1412S | MP1412N | 12.75 x 10.88 (324 x 276) | VFP1412A | VFPH1412A |
| VJG1614NHWLL2 (mm) | 17.31 (439.8) | 15.31 (389) | 6.69 (170.0) | 16.00 (406.4) | 14.00 (355.6) | 5.82 (147.8) | 10.6 lb 12.4 kg | MP1614A | MP1614S | MP1614N | 14.75 x 12.88 (375 x 327) | VFP1614A | VFPH1614A |
| VJG1816NHWLL2 (mm) | 19.31 (490.6) | 17.31 (439.8) | 9.57 (243.0) | 18.00 (457.2) | 16.00 (406.4) | 8.69 (220.8) | 14.0 lb 31 kg | MP1816A | MP1816S | MP1816N | 16.75 x 14.88 (426 x 378) | VFP1816A | VFPH1816A |

* A aluminum back panel (.080" material thickness)
 S painted steel back panel (.060" material thickness)
 N non-metallic back panel (.187" material thickness)



| Gasketed Window N-M Hinge Twist Latch(es) | Dimensions | | | | | | | | | | | | Window | |
|---|----------------|-----------------|----------------|------------------|------------------|---------------|---------------|------------------|------------------|------------------|---------------|-----------------|----------------|----------------|
| | E | F | I | J | K | L | M | N | O | P | Q | R | Height | Width |
| VJG606NHWLL1 (mm) | 1.38 (35.0) | 3.76 (95.5) | 0.37 (9.5) | 6.75 (171.5) | 4.00 (101.6) | 0.31 (8.0) | 0.12 (3.0) | 7.50 (190.5) | 4.25 (108.0) | 4.25 (108.0) | 0.08 (2.0) | 4.67 (118.5) | 4.00 (102) | 4.00 (102) |
| VJG806NHWLL1 (mm) | 1.38 (35.0) | 3.76 (95.5) | 0.37 (9.5) | 8.75 (222.2) | 4.00 (101.6) | 0.31 (8.0) | 0.12 (3.0) | 9.50 (241.2) | 4.25 (108.0) | 6.26 (159.0) | 0.08 (2.0) | 4.67 (118.5) | 6.00 (152) | 4.00 (102) |
| VJG1008NHWLL1 (mm) | 1.62 (41.2) | 4.01 (101.8) | 0.37 (9.5) | 10.75 (273.0) | 6.00 (152.5) | 0.31 (8.0) | 0.12 (3.0) | 11.50 (292.0) | 6.24 (158.5) | 8.25 (209.5) | 0.08 (2.0) | 5.14 (130.5) | 8.00 (203) | 6.00 (152) |
| VJG1210NHWLL2 (mm) | 1.62 (41.2) | 4.13 (105.0) | 0.37 (9.5) | 12.76 (324.0) | 8.00 (203.2) | 0.31 (8.0) | 0.12 (3.0) | 13.50 (343.0) | 8.25 (209.5) | 10.26 (260.5) | 0.08 (2.0) | 5.30 (134.5) | 10.00 (254) | 8.00 (203) |
| VJG1412NHWLL2 (mm) | 1.75 (44.4) | 4.92 (125.0) | 0.50 (12.7) | 14.75 (374.6) | 10.00 (254.0) | 0.31 (8.0) | 0.12 (3.0) | 15.51 (394.0) | 10.24 (260.0) | 12.26 (311.5) | 0.08 (2.0) | 6.40 (162.5) | 12.00 (305) | 10.00 (254) |
| VJG1614NHWLL2 (mm) | 1.75 (44.4) | 5.01 (127.3) | 0.50 (12.7) | 16.75 (425.5) | 12.01 (305.0) | 0.31 (8.0) | 0.12 (3.0) | 17.52 (445.0) | 12.24 (311.0) | 14.25 (362.0) | 0.08 (2.0) | 6.40 (162.5) | 14.00 (356) | 12.00 (305) |
| VJG1816NHWLL2 (mm) | 1.75 (44.4) | 7.89 (200.3) | 0.50 (12.7) | 18.75 (476.2) | 12.01 (305.0) | 0.31 (8.0) | 0.12 (3.0) | 19.49 (495.0) | 14.25 (362.0) | 16.26 (413.0) | 0.08 (2.0) | 9.27 (235.5) | 16.00 (406) | 14.00 (356) |

FRP NEMA rating 3, 3R, 4, 4X, 12 & 13 RVJ Series with 4 Captive Stainless Steel Cover Screws



FEATURES

- All RVJ Series enclosures are designed to meet the Joint Industrial Council (JIC) standards in the United States.
- RVJ's are made from corrosion resistant hot compression molded fiberglass reinforced polyester and do not contain halogens.
- The RVJ Series "W" enclosures include four stainless steel captive screws that secure the cover to the base by means of four threaded brass inserts contained in the base.
- Four sizes are available from 10" x 8" to 16" x 14"
- Vynckier's RVJ enclosures are capable of withstanding continuous temperatures from -58°F (-50°C) up to 302°F (150°C).
- RVJ enclosures provide protection for equipment and operators from indirect electrical contact.
- All RVJ enclosures are UL listed per UL Standard 508 for NEMA 3, 3R, 4, 4X, 12

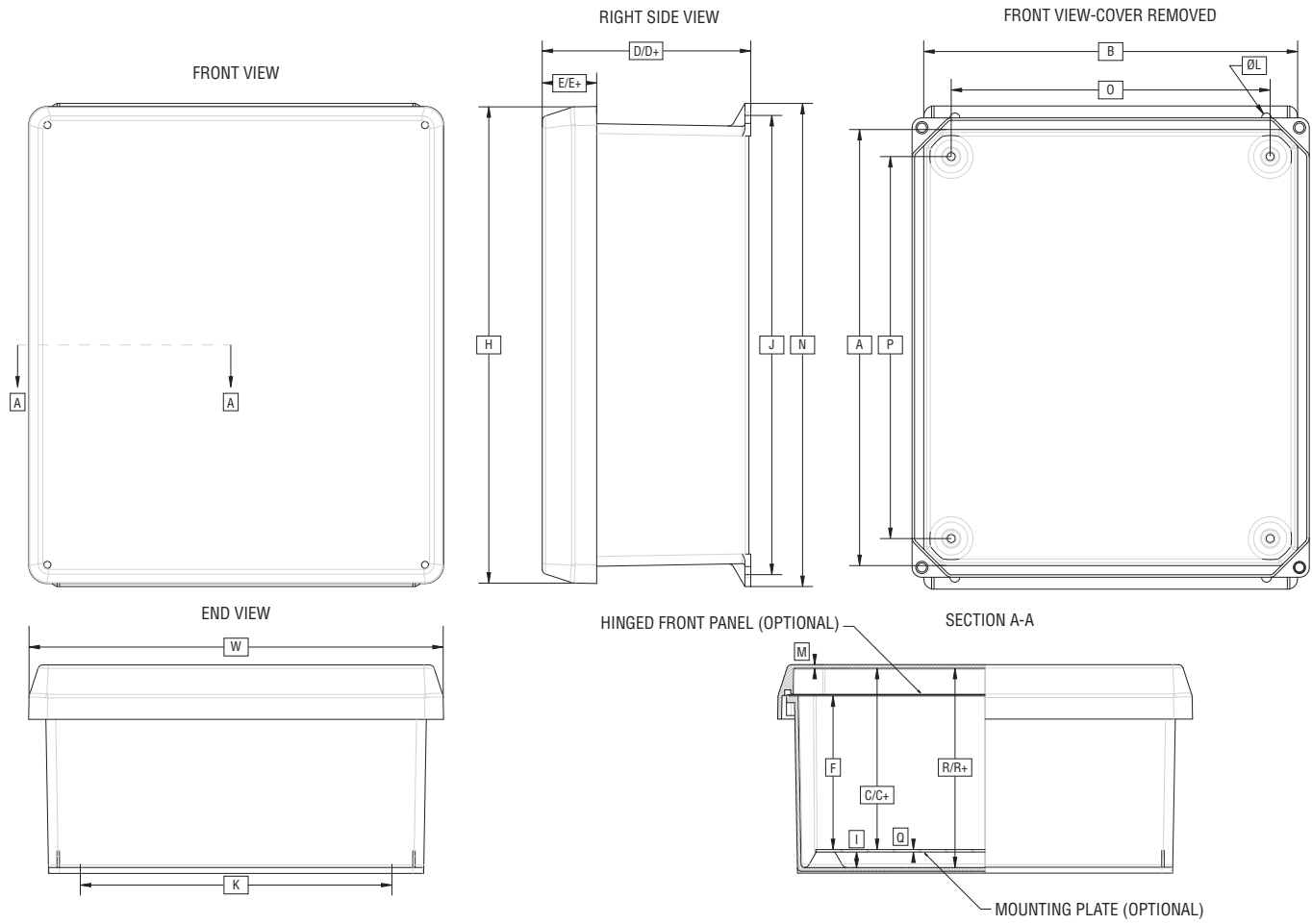
& 13; CSA Certified per Standard C22.2-0, 0.4, 0.7, 0.6, 94 Type 3, 3R, 4, 4X, 12 & 13.

OPTIONAL ACCESSORIES

- Aluminum, Painted Steel or non-metallic Mounting Plates
- Aluminum Hinged Front Plates
- Aluminum Front Plates with quarter turn brackets
- MEDV Air Vents
- Backpanel stand-offs in four different lengths

| Part Numbers Raised Screw Cover | Outside Dimension | | | Inside Dimension | | | Weight | Mounting Plates* | | | Front Panels Plain Hinged | |
|---------------------------------------|-------------------|------------------|------------------|------------------|------------------|------------------|--------------------|------------------|---------|--------------|---------------------------------|--------------------|
| | H | W | D | A | B | C | | Aluminum | Steel | Non-Metallic | | Dimensions |
| RVJ1008W (mm) | 11.31 (287.4) | 9.31 (236.6) | 6.93 (176.0) | 10.00 (254.0) | 8.00 (203.2) | 6.18 (157.0) | 4.9 lb 2.2 kg | MP1008A | MP1008S | MP1008N | 8.75 x 6.88 (222 x 175) | VFP1008A VFPH1008A |
| RVJ1210W (mm) | 13.31 (338.2) | 11.31 (287.4) | 7.09 (180.0) | 12.00 (304.8) | 10.00 (254.0) | 6.34 (161.0) | 6.5 lb 2.9 kg | MP1210A | MP1210S | MP1210N | 10.50 x 8.88 (267 x 226) | VFP1210A VFPH1210A |
| RVJ1412W (mm) | 15.32 (389) | 13.30 (338) | 8.19 (208.0) | 14.00 (355.6) | 12.00 (304.8) | 7.31 (185.8) | 8.8 lb 4.0 kg | MP1412A | MP1412S | MP1412N | 12.75 x 10.88 (324 x 276) | VFP1412A VFPH1412A |
| RVJ1614W (mm) | 17.31 (439.8) | 15.31 (389) | 8.19 (208.0) | 16.00 (406.4) | 14.00 (355.6) | 7.37 (185.8) | 10.8 lb 4.9 kg | MP1614A | MP1614S | MP1614N | 14.75 x 12.88 (375 x 327) | VFP1614A VFPH1614A |
| RVJ1816W (mm) | 19.31 (490.6) | 17.31 (439.8) | 11.08 (280.9) | 18.00 (457.2) | 16.00 (406.4) | 10.23 (258.8) | 14.25 lb 6.5 kg | MP1816A | MP1816S | MP1816N | 16.75 x 14.88 (426 x 378) | VFP1816A VFPH1816A |

* A aluminum back panel (.080" material thickness)
 S painted steel back panel (.060" material thickness)
 N non-metallic back panel (.187" material thickness)



| Part Numbers Raised Screw Cover | Dimensions | | | | | | | | | | | |
|---------------------------------------|----------------|-----------------|----------------|------------------|------------------|---------------|---------------|------------------|------------------|------------------|---------------|------------------|
| | E | F | I | J | K | L | M | N | O | P | Q | R |
| RVJ1008W (mm) | 3.13 (79.5) | 4.01 (101.8) | 0.37 (9.5) | 10.75 (273.0) | 6.00 (152.5) | 0.31 (8.0) | 0.12 (3.0) | 11.50 (292.0) | 6.24 (158.5) | 8.25 (209.5) | 0.08 (2.0) | 6.63 (168.5) |
| RVJ1210W (mm) | 3.13 (79.5) | 4.13 (105.0) | 0.37 (9.5) | 12.76 (324.0) | 8.00 (203.2) | 0.31 (8.0) | 0.12 (3.0) | 13.50 (343.0) | 8.25 (209.5) | 10.26 (260.5) | 0.08 (2.0) | 6.79 (172.5) |
| RVJ1412W (mm) | 3.25 (82.5) | 4.92 (125.0) | 0.50 (12.7) | 14.75 (374.6) | 10.00 (254.0) | 0.31 (8.0) | 0.12 (3.0) | 15.51 (394.0) | 10.24 (260.0) | 12.26 (311.5) | 0.08 (2.0) | 7.89 (200.5) |
| RVJ1614W (mm) | 3.25 (82.5) | 5.01 (127.3) | 0.50 (12.7) | 16.75 (425.5) | 12.01 (305.0) | 0.31 (8.0) | 0.12 (3.0) | 17.52 (445.0) | 12.24 (311.0) | 14.25 (362.0) | 0.08 (2.0) | 7.89 (200.5) |
| RVJ1816W (mm) | 3.23 (82.0) | 7.89 (200.3) | 0.50 (12.7) | 18.75 (476.2) | 12.01 (305.0) | 0.31 (8.0) | 0.12 (3.0) | 19.49 (495.0) | 14.25 (362.0) | 16.26 (413.0) | 0.08 (2.0) | 10.73 (272.5) |

FRP NEMA rating 3, 3R, 4, 4X, 12 & 13 RVJ Series with 2 Captive Stainless Steel Cover Screws and a Stainless Steel Piano Hinge



FEATURES

- All RVJ Series enclosures are designed to meet the Joint Industrial Council (JIC) standards in the United States.
- RVJ's are made from corrosion resistant hot compression molded fiberglass reinforced polyester and do not contain halogens.
- The RVJ Series "HW" enclosures include two stainless steel captive screws and a stainless steel piano hinge that secure the cover to the base. Two threaded brass inserts contained in the base secure the cover screws, rivets connect the hinge to the cover and self-tapping screws connect the hinge to the base.
- Four sizes are available from 10" x 8" to 16" x 14"
- Vynckier's RVJ enclosures are capable of withstanding continuous temperatures from -58°F (-50°C) up to 302°F (150°C).
- RVJ enclosures provide protection for equipment and operators from indirect electrical contact.

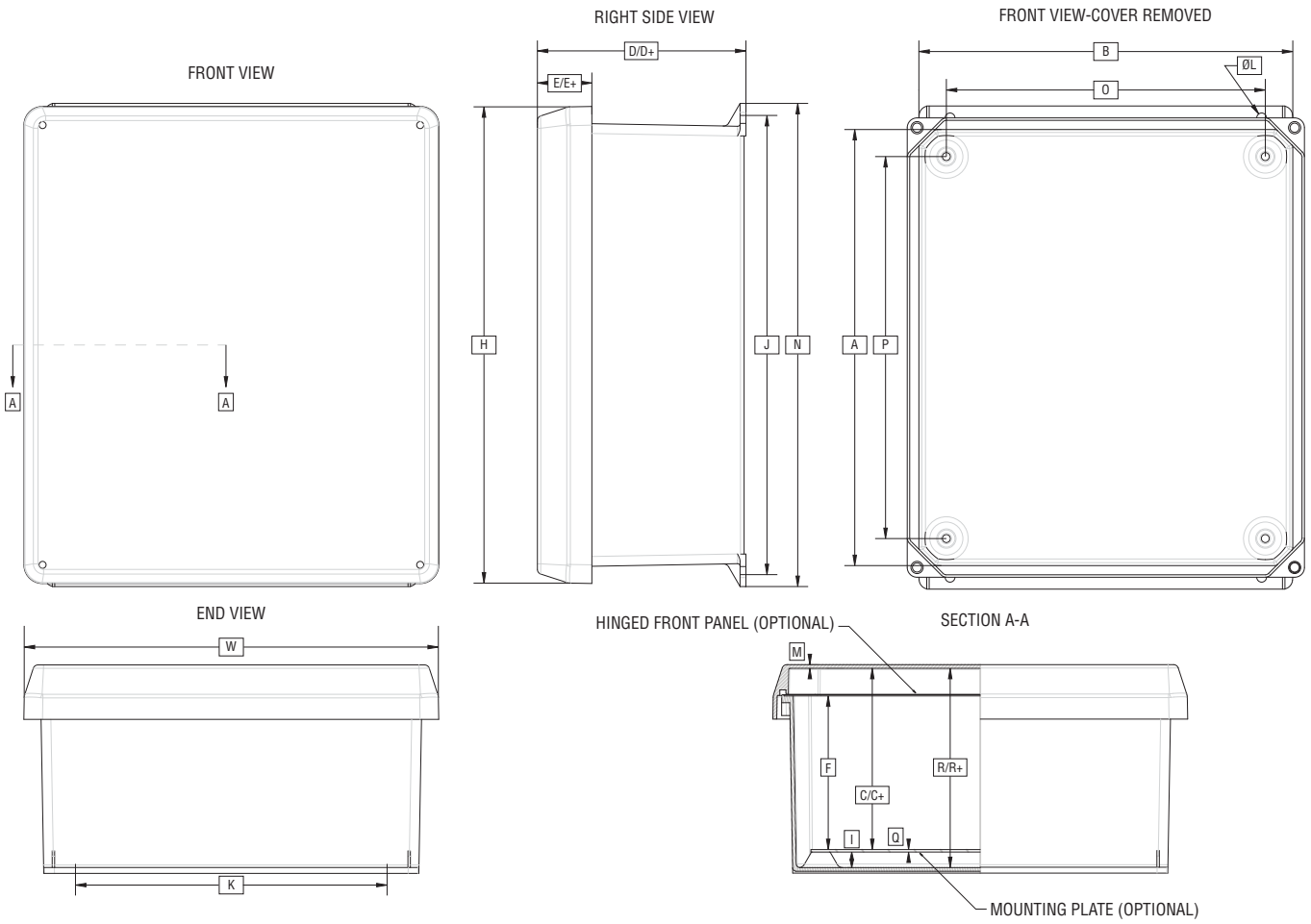
- All RVJ enclosures are UL listed per UL Standard 508 for NEMA 3, 3R, 4, 4X, 12 & 13; CSA Certified per Standard C22.2-0, 0.4, 0.7, 0.6, 94 Type 3, 3R, 4, 4X, 12 & 13.

OPTIONAL ACCESSORIES

- Moldded instrument windows
- Aluminum, Painted Steel or non-metallic Mounting Plates
- Aluminum Hinged Front Plates
- Aluminum Front Plates with quarter turn brackets
- MEDV Air Vents
- Backpanel stand-offs in four different lengths

| Part Numbers Raised Cover SS Hinge | Outside Dimension | | | Inside Dimension | | | Weight | Mounting Plates* | | | Dimensions | Front Panels | |
|--|-------------------|------------------|------------------|------------------|------------------|------------------|--------------------|------------------|---------|--------------|------------------------------|--------------|-----------|
| | H | W | D | A | B | C | | Aluminum | Steel | Non-Metallic | | Plain | Hinged |
| RVJ1008HW (mm) | 11.31 (287.4) | 9.31 (236.6) | 6.93 (176.0) | 10.00 (254.0) | 8.00 (203.2) | 6.18 (157.0) | 4.9 lb 2.2 kg | MP1008A | MP1008S | MP1008N | 8.75 x 6.88 (222 x 175) | VFP1008A | VFPH1008A |
| RVJ1210HW (mm) | 13.31 (338.2) | 11.31 (287.4) | 7.09 (180.0) | 12.00 (304.8) | 10.00 (254.0) | 6.34 (161.0) | 6.5 lb 2.9 kg | MP1210A | MP1210S | MP1210N | 10.50 x 8.88 (267 x 226) | VFP1210A | VFPH1210A |
| RVJ1412HW (mm) | 15.32 (389) | 13.30 (338) | 8.19 (208.0) | 14.00 (355.6) | 12.00 (304.8) | 7.31 (185.8) | 8.8 lb 4.0 kg | MP1412A | MP1412S | MP1412N | 12.75 x 10.88 (324 x 276) | VFP1412A | VFPH1412A |
| RVJ1614HW (mm) | 17.31 (439.8) | 15.31 (389) | 8.19 (208.0) | 16.00 (406.4) | 14.00 (355.6) | 7.37 (185.8) | 10.8 lb 4.9 kg | MP1614A | MP1614S | MP1614N | 14.75 x 12.88 (375 x 327) | VFP1614A | VFPH1614A |
| RVJ1816HW (mm) | 19.31 (490.6) | 17.31 (439.8) | 11.08 (280.9) | 18.00 (457.2) | 16.00 (406.4) | 10.23 (258.8) | 14.25 lb 6.5 kg | MP1816A | MP1816S | MP1816N | 16.75 x 14.88 (426 x 378) | VFP1816A | VFPH1816A |

* A aluminum back panel (.080" material thickness)
 S painted steel back panel (.060" material thickness)
 N non-metallic back panel (.187" material thickness)



| Part Numbers Raised Cover SS Hinge | Dimensions | | | | | | | | | | | |
|--|----------------|-----------------|----------------|------------------|------------------|---------------|---------------|------------------|------------------|------------------|---------------|------------------|
| | E | F | I | J | K | L | M | N | O | P | Q | R |
| RVJ1008HW (mm) | 3.13 (79.5) | 4.01 (101.8) | 0.37 (9.5) | 10.75 (273.0) | 6.00 (152.5) | 0.31 (8.0) | 0.12 (3.0) | 11.50 (292.0) | 6.24 (158.5) | 8.25 (209.5) | 0.08 (2.0) | 6.63 (168.5) |
| RVJ1210HW (mm) | 3.13 (79.5) | 4.13 (105.0) | 0.37 (9.5) | 12.76 (324.0) | 8.00 (203.2) | 0.31 (8.0) | 0.12 (3.0) | 13.50 (343.0) | 8.25 (209.5) | 10.26 (260.5) | 0.08 (2.0) | 6.79 (172.5) |
| RVJ1412HW (mm) | 3.25 (82.5) | 4.92 (125.0) | 0.50 (12.7) | 14.75 (374.6) | 10.00 (254.0) | 0.31 (8.0) | 0.12 (3.0) | 15.51 (394.0) | 10.24 (260.0) | 12.26 (311.5) | 0.08 (2.0) | 7.89 (200.5) |
| RVJ1614HW (mm) | 3.25 (82.5) | 5.01 (127.3) | 0.50 (12.7) | 16.75 (425.5) | 12.01 (305.0) | 0.31 (8.0) | 0.12 (3.0) | 17.52 (445.0) | 12.24 (311.0) | 14.25 (362.0) | 0.08 (2.0) | 7.89 (200.5) |
| RVJ1816HW (mm) | 3.23 (82.0) | 7.89 (200.3) | 0.50 (12.7) | 18.75 (476.2) | 12.01 (305.0) | 0.31 (8.0) | 0.12 (3.0) | 19.49 (495.0) | 14.25 (362.0) | 16.26 (413.0) | 0.08 (2.0) | 10.73 (272.5) |

FRP NEMA 3, 3R, 4, 4X, 12 & 13 RVJ Series with Stainless Steel Padlockable Latch(s) and a Stainless Steel Piano Hinge



FEATURES

- All RVJ Series enclosures are designed to meet the Joint Industrial Council (JIC) standards in the United States.
- RVJ's are made from corrosion resistant hot compression molded fiberglass reinforced polyester and do not contain halogens.
- The RVJ Series "PL" enclosures include two stainless steel captive screws and a stainless steel piano hinge that secure the cover to the base. Two threaded brass inserts contained in the base secure the cover screws, rivets connect the hinge to the cover and self-tapping screws connect the hinge to the base.
- Four sizes are available from 10" x 8" to 16" x 14"
- Vynckier's RVJ enclosures are capable of withstanding continuous temperatures from -58°F (-50°C) up to 302°F (150°C).
- RVJ enclosures provide protection for equipment and operators from indirect electrical contact.

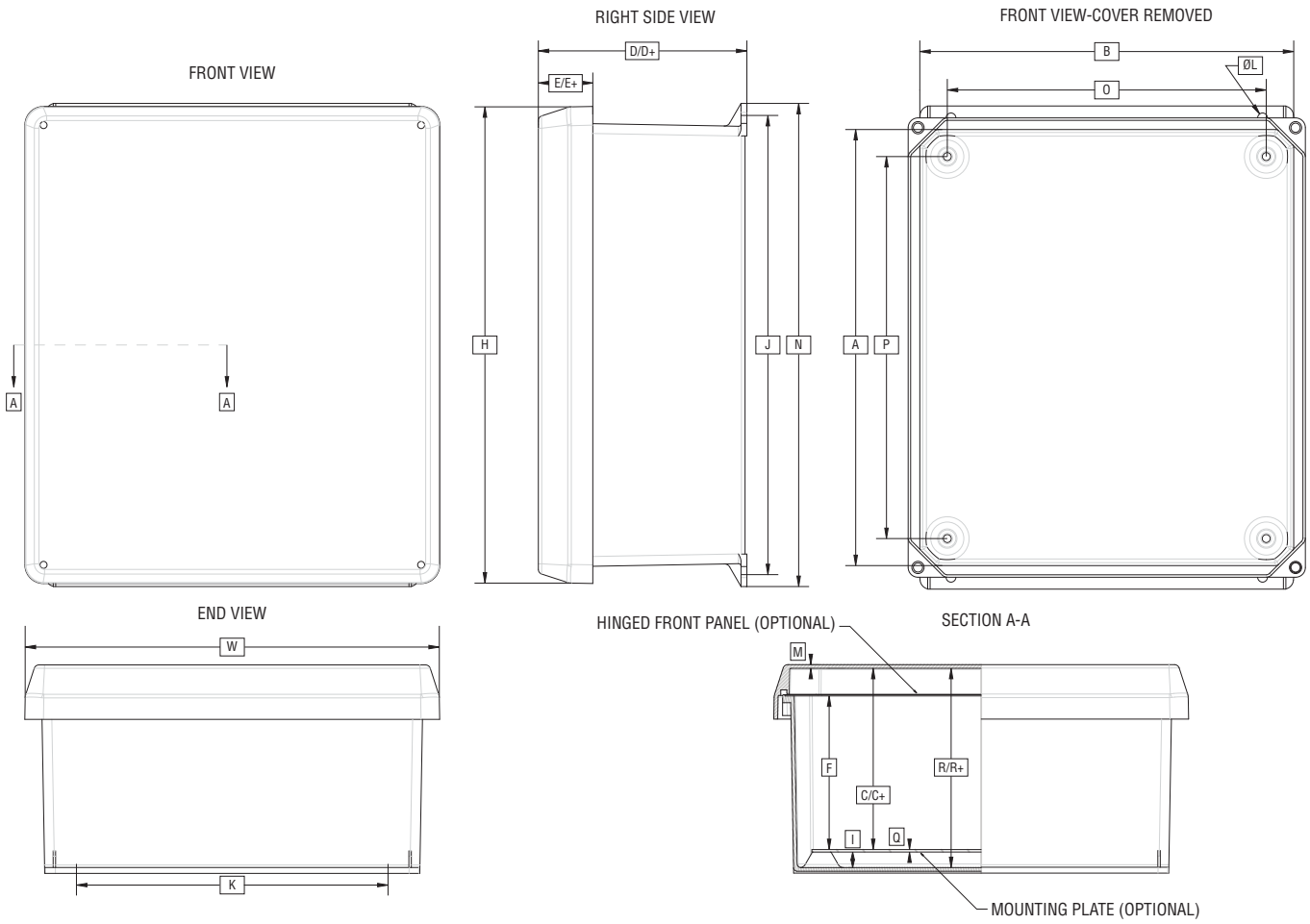
- All RVJ enclosures are UL listed per UL Standard 508 for NEMA 3, 3R, 4, 4X, 12 & 13; CSA Certified per Standard C22.2-0, 0.4, 0.7, 0.6, 94 Type 3, 3R, 4, 4X, 12 & 13.

OPTIONAL ACCESSORIES

- Molded Instrument Windows
- Aluminum, Painted Steel or non-metallic Mounting Plates
- Aluminum Hinged Front Plates
- Aluminum Front Plates with quarter turn brackets
- MEDV Air Vents
- Backpanel stand-offs in four different lengths

| Raised Cover SS Hinge PL Latch | Outside Dimension | | | Inside Dimension | | | Weight | Mounting Plates* | | | Front Panels | | |
|--------------------------------------|-------------------|------------------|------------------|------------------|------------------|------------------|--------------------|------------------|---------|--------------|------------------------------|----------|-----------|
| | H | W | D | A | B | C | | Aluminum | Steel | Non-Metallic | Dimensions | Plain | Hinged |
| RVJ1008HWPL1 (mm) | 11.31 (287.4) | 9.31 (236.6) | 6.93 (176.0) | 10.00 (254.0) | 8.00 (203.2) | 6.18 (157.0) | 4.9 lb 2.2 kg | MP1008A | MP1008S | MP1008N | 8.75 x 6.88 (222 x 175) | VFP1008A | VFPH1008A |
| RVJ1210HWPL2 (mm) | 13.31 (338.2) | 11.31 (287.4) | 7.09 (180.0) | 12.00 (304.8) | 10.00 (254.0) | 6.34 (161.0) | 6.5 lb 2.9 kg | MP1210A | MP1210S | MP1210N | 10.50 x 8.88 (267 x 226) | VFP1210A | VFPH1210A |
| RVJ1412HWPL2 (mm) | 15.32 (389) | 13.30 (338) | 8.19 (208.0) | 14.00 (355.6) | 12.00 (304.8) | 7.31 (185.8) | 8.8 lb 4.0 kg | MP1412A | MP1412S | MP1412N | 12.75 x 10.88 (324 x 276) | VFP1412A | VFPH1412A |
| RVJ1614HWPL2 (mm) | 17.31 (439.8) | 15.31 (389) | 8.19 (208.0) | 16.00 (406.4) | 14.00 (355.6) | 7.37 (185.8) | 10.8 lb 4.9 kg | MP1614A | MP1614S | MP1614N | 14.75 x 12.88 (375 x 327) | VFP1614A | VFPH1614A |
| RVJ1816HWPL2 (mm) | 19.31 (490.6) | 17.31 (439.8) | 11.08 (280.9) | 18.00 (457.2) | 16.00 (406.4) | 10.23 (258.8) | 14.25 lb 6.5 kg | MP1816A | MP1816S | MP1816N | 16.75 x 14.88 (426 x 378) | VFP1816A | VFPH1816A |

* A aluminum back panel (.080" material thickness)
 S painted steel back panel (.060" material thickness)
 N non-metallic back panel (.187" material thickness)



| Raised Cover SS Hinge PL Latch | Dimensions | | | | | | | | | | | | Latch Spacing |
|--------------------------------------|----------------|-----------------|----------------|------------------|------------------|---------------|---------------|------------------|------------------|------------------|---------------|------------------|------------------|
| | E | F | I | J | K | L | M | N | O | P | Q | R | |
| RVJ1008HWPL1 (mm) | 3.13 (79.5) | 4.01 (101.8) | 0.37 (9.5) | 10.75 (273.0) | 6.00 (152.5) | 0.31 (8.0) | 0.12 (3.0) | 11.50 (292.0) | 6.24 (158.5) | 8.25 (209.5) | 0.08 (2.0) | 6.63 (168.5) | Ctr - |
| RVJ1210HWPL2 (mm) | 3.13 (79.5) | 4.13 (105.0) | 0.37 (9.5) | 12.76 (324.0) | 8.00 (203.2) | 0.31 (8.0) | 0.12 (3.0) | 13.50 (343.0) | 8.25 (209.5) | 10.26 (260.5) | 0.08 (2.0) | 6.79 (172.5) | 7.09 (180) |
| RVJ1412HWPL2 (mm) | 3.25 (82.5) | 4.92 (125.0) | 0.50 (12.7) | 14.75 (374.6) | 10.00 (254.0) | 0.31 (8.0) | 0.12 (3.0) | 15.51 (394.0) | 10.24 (260.0) | 12.26 (311.5) | 0.08 (2.0) | 7.89 (200.5) | 9.56 (243) |
| RVJ1614HWPL2 (mm) | 3.25 (82.5) | 5.01 (127.3) | 0.50 (12.7) | 16.75 (425.5) | 12.01 (305.0) | 0.31 (8.0) | 0.12 (3.0) | 17.52 (445.0) | 12.24 (311.0) | 14.25 (362.0) | 0.08 (2.0) | 7.89 (200.5) | 9.56 (243) |
| RVJ1816HWPL2 (mm) | 3.23 (82.0) | 7.89 (200.3) | 0.50 (12.7) | 18.75 (476.2) | 12.01 (305.0) | 0.31 (8.0) | 0.12 (3.0) | 19.49 (495.0) | 14.25 (362.0) | 16.26 (413.0) | 0.08 (2.0) | 10.73 (272.5) | 14.75 (375) |

FRP NEMA 3, 3R, 4, 4X, 12 & 13 RVJ Series Stainless Steel Twist Latch(s) and 2 a Stainless Steel Piano Hinge



FEATURES

- All RVJ Series enclosures are designed to meet the Joint Industrial Council (JIC) standards in the United States.
- RVJ's are made from corrosion resistant hot compression molded fiberglass reinforced polyester and do not contain halogens.
- The RVJ Series "HWLL" enclosures include one or two stainless steel twist latches to secure one side of the cover to the base and a stainless steel piano hinge that secures the other. Rivets connect the hinge to the cover and self-tapping screws connect the screws to the base.
- Four sizes are available from 10" x 8" to 16" x 14"
- Vynckier's RVJ enclosures are capable of withstanding continuous temperatures from -58°F (-50°C) up to 302°F (150°C).
- RVJ enclosures provide protection for equipment and operators from indirect electrical contact.

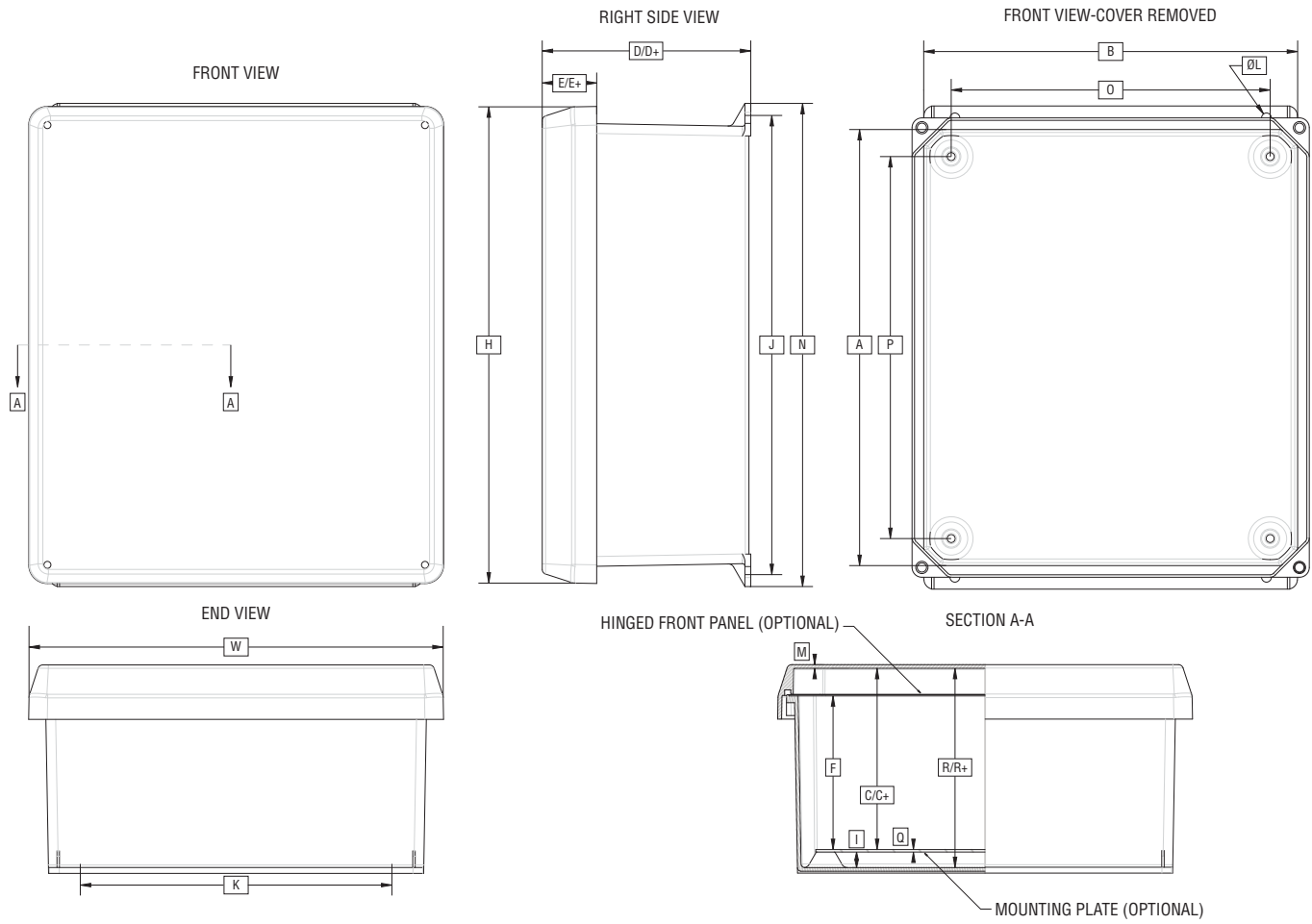
- All RVJ enclosures are UL listed per UL Standard 508 for NEMA 3, 3R, 4, 4X, 12 & 13; CSA Certified per Standard C22.2-0, 0.4, 0.7, 0.6, 94 Type 3, 3R, 4, 4X, 12 & 13.

OPTIONAL ACCESSORIES

- Molded Instrument Windows
- Aluminum, Painted Steel or non-metallic Mounting Plates
- Aluminum Hinged Front Plates
- Aluminum Front Plates with quarter turn brackets
- MEDV Air Vents
- Backpanel stand-offs in four different lengths

| Raised Cover SS Hinge Twist Latch | Outside Dimension | | | Inside Dimension | | | Weight | Mounting Plates* | | | Dimensions | Front Panels | |
|---|-------------------|------------------|------------------|------------------|------------------|------------------|--------------------|------------------|---------|--------------|------------------------------|--------------|-----------|
| | H | W | D | A | B | C | | Aluminum | Steel | Non-Metallic | | Plain | Hinged |
| RVJ1008HWLL1 (mm) | 11.31 (287.4) | 9.31 (236.6) | 6.93 (176.0) | 10.00 (254.0) | 8.00 (203.2) | 6.18 (157.0) | 4.9 lb 2.2 kg | MP1008A | MP1008S | MP1008N | 8.75 x 6.88 (222 x 175) | VFP1008A | VFPH1008A |
| RVJ1210HWLL2 (mm) | 13.31 (338.2) | 11.31 (287.4) | 7.09 (180.0) | 12.00 (304.8) | 10.00 (254.0) | 6.34 (161.0) | 6.5 lb 2.9 kg | MP1210A | MP1210S | MP1210N | 10.50 x 8.88 (267 x 226) | VFP1210A | VFPH1210A |
| RVJ1412HWLL2 (mm) | 15.32 (389) | 13.30 (338) | 8.19 (208.0) | 14.00 (355.6) | 12.00 (304.8) | 7.31 (185.8) | 8.8 lb 4.0 kg | MP1412A | MP1412S | MP1412N | 12.75 x 10.88 (324 x 276) | VFP1412A | VFPH1412A |
| RVJ1614HWLL2 (mm) | 17.31 (439.8) | 15.31 (389) | 8.19 (208.0) | 16.00 (406.4) | 14.00 (355.6) | 7.37 (185.8) | 10.8 lb 4.9 kg | MP1614A | MP1614S | MP1614N | 14.75 x 12.88 (375 x 327) | VFP1614A | VFPH1614A |
| RVJ1816HWLL2 (mm) | 19.31 (490.6) | 17.31 (439.8) | 11.08 (280.9) | 18.00 (457.2) | 16.00 (406.4) | 10.23 (258.8) | 14.25 lb 6.5 kg | MP1816A | MP1816S | MP1816N | 16.75 x 14.88 (426 x 378) | VFP1816A | VFPH1816A |

* A aluminum back panel (.080" material thickness)
 S painted steel back panel (.060" material thickness)
 N non-metallic back panel (.187" material thickness)



| Raised Cover SS Hinge Twist Latch | Dimensions | | | | | | | | | | | | Latch Spacing |
|---|----------------|-----------------|----------------|------------------|------------------|---------------|---------------|------------------|------------------|------------------|---------------|------------------|------------------|
| | E | F | I | J | K | L | M | N | O | P | Q | R | |
| RVJ1008HWLL1 (mm) | 3.13 (79.5) | 4.01 (101.8) | 0.37 (9.5) | 10.75 (273.0) | 6.00 (152.5) | 0.31 (8.0) | 0.12 (3.0) | 11.50 (292.0) | 6.24 (158.5) | 8.25 (209.5) | 0.08 (2.0) | 6.63 (168.5) | Ctr - |
| RVJ1210HWLL2 (mm) | 3.13 (79.5) | 4.13 (105.0) | 0.37 (9.5) | 12.76 (324.0) | 8.00 (203.2) | 0.31 (8.0) | 0.12 (3.0) | 13.50 (343.0) | 8.25 (209.5) | 10.26 (260.5) | 0.08 (2.0) | 6.79 (172.5) | 7.09 (180) |
| RVJ1412HWLL2 (mm) | 3.25 (82.5) | 4.92 (125.0) | 0.50 (12.7) | 14.75 (374.6) | 10.00 (254.0) | 0.31 (8.0) | 0.12 (3.0) | 15.51 (394.0) | 10.24 (260.0) | 12.26 (311.5) | 0.08 (2.0) | 7.89 (200.5) | 9.56 (243) |
| RVJ1614HWLL2 (mm) | 3.25 (82.5) | 5.01 (127.3) | 0.50 (12.7) | 16.75 (425.5) | 12.01 (305.0) | 0.31 (8.0) | 0.12 (3.0) | 17.52 (445.0) | 12.24 (311.0) | 14.25 (362.0) | 0.08 (2.0) | 7.89 (200.5) | 9.56 (243) |
| RVJ1816HWLL2 (mm) | 3.23 (82.0) | 7.89 (200.3) | 0.50 (12.7) | 18.75 (476.2) | 12.01 (305.0) | 0.31 (8.0) | 0.12 (3.0) | 19.49 (495.0) | 14.25 (362.0) | 16.26 (413.0) | 0.08 (2.0) | 10.73 (272.5) | 14.75 (375) |

FRP NEMA 3, 3R, 4, 4X, 12 & 13 RVJ Series with 2 Captive Stainless Steel Cover Screws and 2 Non-metallic Hinges



FEATURES

- All RVJ Series enclosures are designed to meet the Joint Industrial Council (JIC) standards in the United States.
- RVJ's are made from corrosion resistant hot compression molded fiberglass reinforced polyester and do not contain halogens.
- The RVJ Series "NHW" enclosures include two stainless steel captive screws and two non-metallic hinges that secure the cover to the base. Two threaded brass inserts contained in the base secure the cover screws. Self tapping screws connect the hinges to the cover and base.
- Four sizes are available from 10" x 8" to 16" x 14"
- Vynckier's RVJ enclosures are capable of withstanding continuous temperatures from -58°F (-50°C) up to 302°F (150°C).
- RVJ enclosures provide protection for equipment and operators from indirect electrical contact.

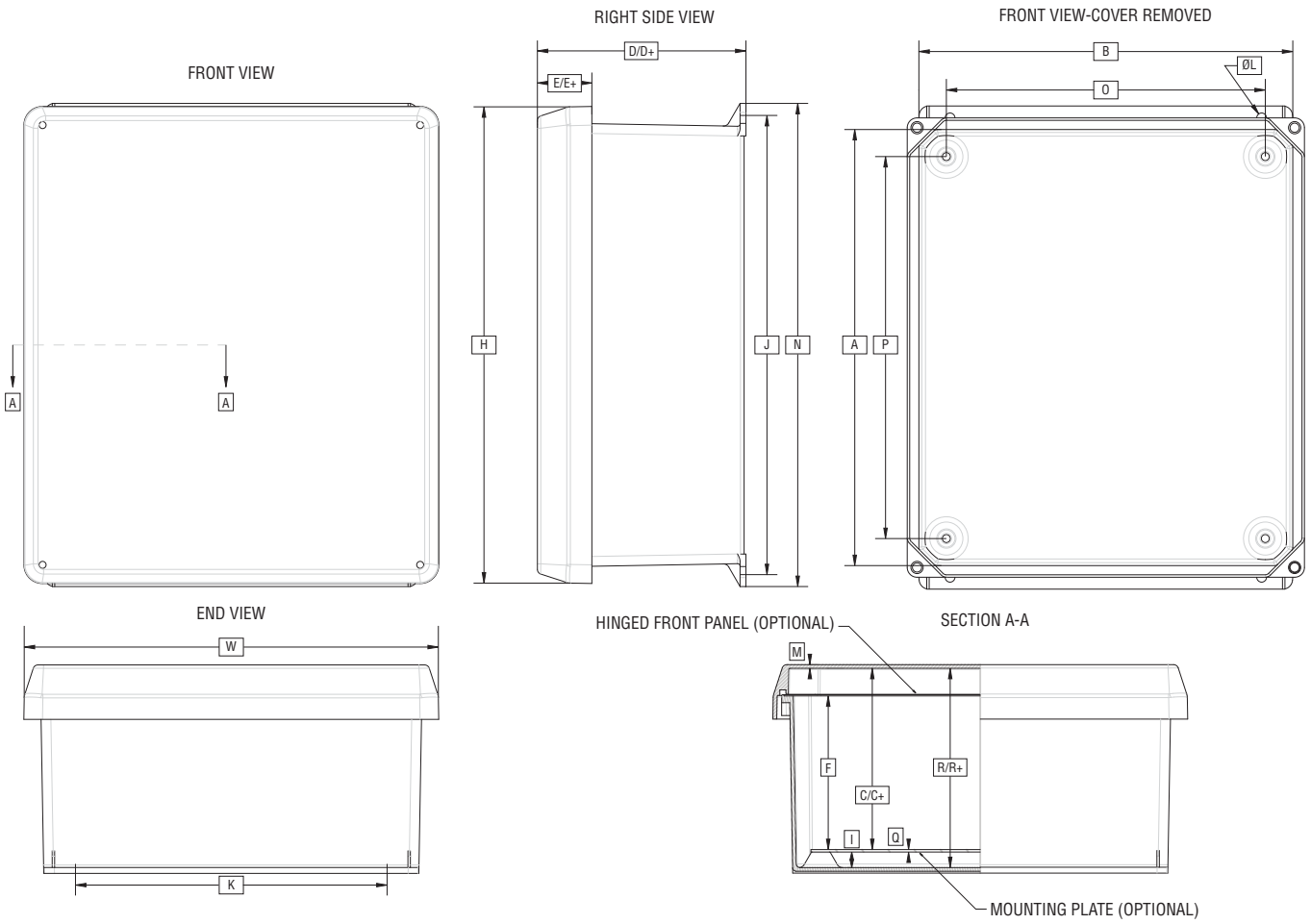
- All RVJ enclosures are UL listed per UL Standard 508 for NEMA 3, 3R, 4, 4X, 12 & 13; CSA Certified per Standard C22.2-0, 0.4, 0.7, 0.6, 94 Type 3, 3R, 4, 4X, 12 & 13.

OPTIONAL ACCESSORIES

- Molded Instrument Windows
- Aluminum, Painted Steel or non-metallic Mounting Plates
- Aluminum Hinged Front Plates
- Aluminum Front Plates with quarter turn brackets
- MEDV Air Vents
- Backpanel stand-offs in four different lengths

| Part Numbers Raised Cover N-M Hinges | Outside Dimension | | | Inside Dimension | | | Weight | Mounting Plates* | | | Dimensions | Front Panels | |
|--|-------------------|------------------|------------------|------------------|------------------|------------------|--------------------|------------------|---------|--------------|------------------------------|--------------|-----------|
| | H | W | D | A | B | C | | Aluminum | Steel | Non-Metallic | | Plain | Hinged |
| RVJ1008NHW (mm) | 11.31 (287.4) | 9.31 (236.6) | 6.93 (176.0) | 10.00 (254.0) | 8.00 (203.2) | 6.18 (157.0) | 4.9 lb 2.2 kg | MP1008A | MP1008S | MP1008N | 8.75 x 6.88 (222 x 175) | VFP1008A | VFPH1008A |
| RVJ1210NHW (mm) | 13.31 (338.2) | 11.31 (287.4) | 7.09 (180.0) | 12.00 (304.8) | 10.00 (254.0) | 6.34 (161.0) | 6.5 lb 2.9 kg | MP1210A | MP1210S | MP1210N | 10.50 x 8.88 (267 x 226) | VFP1210A | VFPH1210A |
| RVJ1412NHW (mm) | 15.32 (389) | 13.30 (338) | 8.19 (208.0) | 14.00 (355.6) | 12.00 (304.8) | 7.31 (185.8) | 8.8 lb 4.0 kg | MP1412A | MP1412S | MP1412N | 12.75 x 10.88 (324 x 276) | VFP1412A | VFPH1412A |
| RVJ1614NHW (mm) | 17.31 (439.8) | 15.31 (389) | 8.19 (208.0) | 16.00 (406.4) | 14.00 (355.6) | 7.37 (185.8) | 10.8 lb 4.9 kg | MP1614A | MP1614S | MP1614N | 14.75 x 12.88 (375 x 327) | VFP1614A | VFPH1614A |
| RVJ1816NHW (mm) | 19.31 (490.6) | 17.31 (439.8) | 11.08 (280.9) | 18.00 (457.2) | 16.00 (406.4) | 10.23 (258.8) | 14.25 lb 6.5 kg | MP1816A | MP1816S | MP1816N | 16.75 x 14.88 (426 x 378) | VFP1816A | VFPH1816A |

- * A aluminum back panel (.080" material thickness)
 S painted steel back panel (.060" material thickness)
 N non-metallic back panel (.187" material thickness)



| Part Numbers Raised Cover N-M Hinges | Dimensions | | | | | | | | | | | |
|--|----------------|-----------------|----------------|------------------|------------------|---------------|---------------|------------------|------------------|------------------|---------------|------------------|
| | E | F | I | J | K | L | M | N | O | P | Q | R |
| RVJ1008NHW (mm) | 3.13 (79.5) | 4.01 (101.8) | 0.37 (9.5) | 10.75 (273.0) | 6.00 (152.5) | 0.31 (8.0) | 0.12 (3.0) | 11.50 (292.0) | 6.24 (158.5) | 8.25 (209.5) | 0.08 (2.0) | 6.63 (168.5) |
| RVJ1210NHW (mm) | 3.13 (79.5) | 4.13 (105.0) | 0.37 (9.5) | 12.76 (324.0) | 8.00 (203.2) | 0.31 (8.0) | 0.12 (3.0) | 13.50 (343.0) | 8.25 (209.5) | 10.26 (260.5) | 0.08 (2.0) | 6.79 (172.5) |
| RVJ1412NHW (mm) | 3.25 (82.5) | 4.92 (125.0) | 0.50 (12.7) | 14.75 (374.6) | 10.00 (254.0) | 0.31 (8.0) | 0.12 (3.0) | 15.51 (394.0) | 10.24 (260.0) | 12.26 (311.5) | 0.08 (2.0) | 7.89 (200.5) |
| RVJ1614NHW (mm) | 3.25 (82.5) | 5.01 (127.3) | 0.50 (12.7) | 16.75 (425.5) | 12.01 (305.0) | 0.31 (8.0) | 0.12 (3.0) | 17.52 (445.0) | 12.24 (311.0) | 14.25 (362.0) | 0.08 (2.0) | 7.89 (200.5) |
| RVJ1816NHW (mm) | 3.23 (82.0) | 7.89 (200.3) | 0.50 (12.7) | 18.75 (476.2) | 12.01 (305.0) | 0.31 (8.0) | 0.12 (3.0) | 19.49 (495.0) | 14.25 (362.0) | 16.26 (413.0) | 0.08 (2.0) | 10.73 (272.5) |

FRP NEMA 3, 3R, 4, 4X, 12 & 13 RVJ Series with Stainless Steel Padlockable Latch(s) and 2 Non-metallic Hinges



FEATURES

- All RVJ Series enclosures are designed to meet the Joint Industrial Council (JIC) standards in the United States.
- RVJ's are made from corrosion resistant hot compression molded fiberglass reinforced polyester and do not contain halogens.
- The RVJ Series "NHWPL" enclosures include one or two stainless steel padlockable latches to secure one side of the cover to the base with two non-metallic hinges that secures the other. Self-tapping screws connect the hinges to the cover and base.
- Four sizes are available from 10" x 8" to 16" x 14"
- Vynckier's RVJB enclosures are capable of withstanding continuous temperatures from -58°F (-50°C) up to 302°F (150°C).
- RVJ enclosures provide protection for equipment and operators from indirect electrical contact.

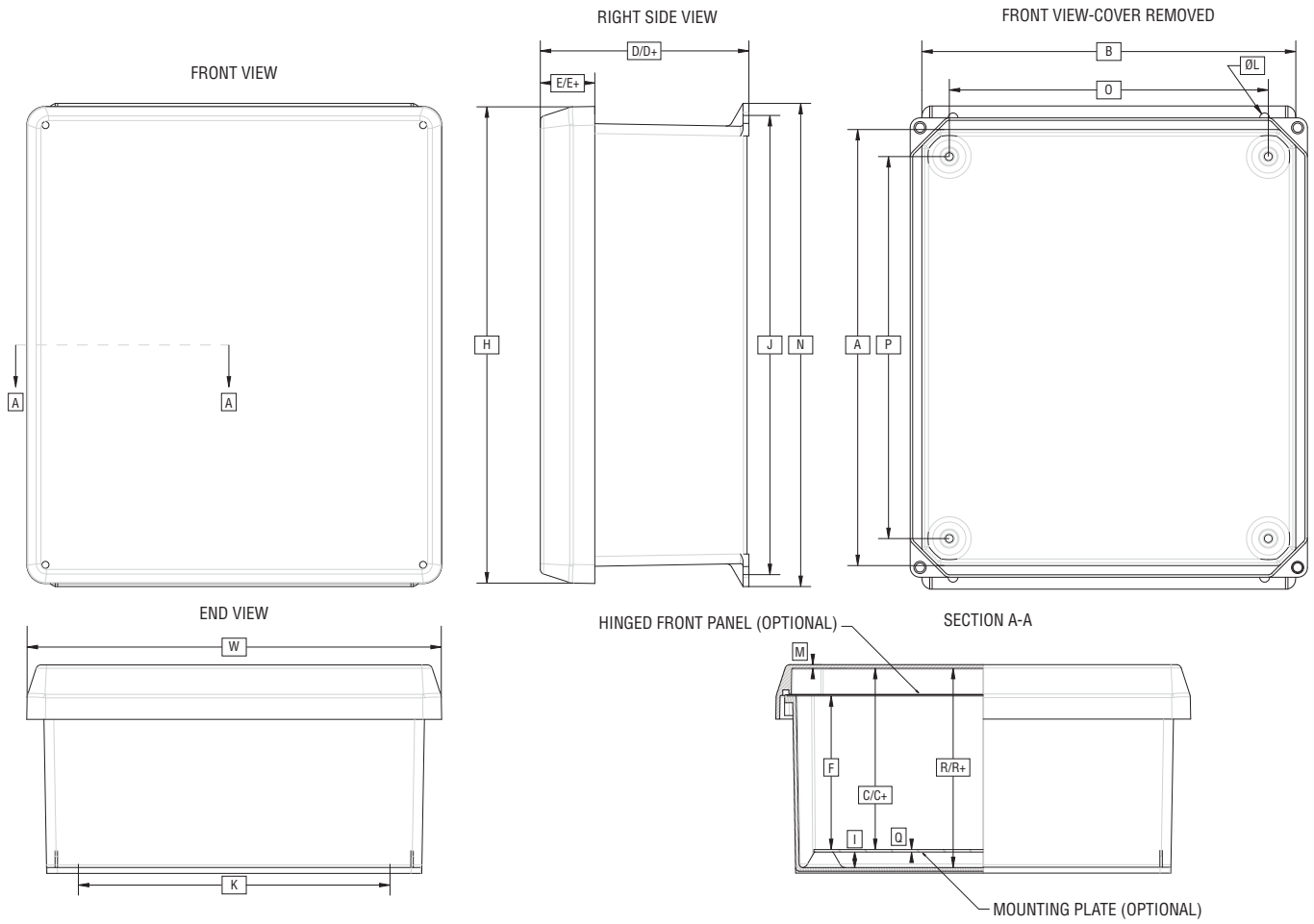
- All RVJ enclosures are UL listed per UL Standard 508 for NEMA 3, 3R, 4, 4X, 12 & 13; CSA Certified per Standard C22.2-0, 0.4, 0.7, 0.6, 94 Type 3, 3R, 4, 4X, 12 & 13.

OPTIONAL ACCESSORIES

- Molded Instrument Windows
- Aluminum, Painted Steel or non-metallic Mounting Plates
- Aluminum Hinged Front Plates
- Aluminum Front Plates with quarter turn brackets
- MEDV Air Vents
- Backpanel stand-offs in four different lengths

| JHH N-M Hinge SS PL Latch | Outside Dimension | | | Inside Dimension | | | Weight | Mounting Plates* | | | Front Panels Plain Hinged | |
|---------------------------------|----------------------|------------------|------------------|---------------------|------------------|------------------|--------------------|------------------|---------|--------------|---------------------------------|--------------------|
| | H | W | D | A | B | C | | Aluminum | Steel | Non-Metallic | | Dimensions |
| RVJ1008NHWPL1 (mm) | 11.31 (287.4) | 9.31 (236.6) | 6.93 (176.0) | 10.00 (254.0) | 8.00 (203.2) | 6.18 (157.0) | 4.9 lb 2.2 kg | MP1008A | MP1008S | MP1008N | 8.75 x 6.88 (222 x 175) | VFP1008A VFPH1008A |
| RVJ1210NHWPL2 (mm) | 13.31 (338.2) | 11.31 (287.4) | 7.09 (180.0) | 12.00 (304.8) | 10.00 (254.0) | 6.34 (161.0) | 6.5 lb 2.9 kg | MP1210A | MP1210S | MP1210N | 10.50 x 8.88 (267 x 226) | VFP1210A VFPH1210A |
| RVJ1412NHWPL2 (mm) | 15.32 (389) | 13.30 (338) | 8.19 (208.0) | 14.00 (355.6) | 12.00 (304.8) | 7.31 (185.8) | 8.8 lb 4.0 kg | MP1412A | MP1412S | MP1412N | 12.75 x 10.88 (324 x 276) | VFP1412A VFPH1412A |
| RVJ1614NHWPL2 (mm) | 17.31 (439.8) | 15.31 (389) | 8.19 (208.0) | 16.00 (406.4) | 14.00 (355.6) | 7.37 (185.8) | 10.8 lb 4.9 kg | MP1614A | MP1614S | MP1614N | 14.75 x 12.88 (375 x 327) | VFP1614A VFPH1614A |
| RVJ1816NHWPL2 (mm) | 19.31 (490.6) | 17.31 (439.8) | 11.08 (280.9) | 18.00 (457.2) | 16.00 (406.4) | 10.23 (258.8) | 14.25 lb 6.5 kg | MP1816A | MP1816S | MP1816N | 16.75 x 14.88 (426 x 378) | VFP1816A VFPH1816A |

- * A aluminum back panel (.080" material thickness)
 S painted steel back panel (.060" material thickness)
 N non-metallic back panel (.187" material thickness)



| Raised Cover N-M Hinge SS PL Latch | Dimensions | | | | | | | | | | | | Latch Spacing |
|--|----------------|-----------------|----------------|------------------|------------------|---------------|---------------|------------------|------------------|------------------|---------------|------------------|------------------|
| | E | F | I | J | K | L | M | N | O | P | Q | R | |
| RVJ1008NHWPL1 (mm) | 3.13 (79.5) | 4.01 (101.8) | 0.37 (9.5) | 10.75 (273.0) | 6.00 (152.5) | 0.31 (8.0) | 0.12 (3.0) | 11.50 (292.0) | 6.24 (158.5) | 8.25 (209.5) | 0.08 (2.0) | 6.63 (168.5) | Ctr - |
| RVJ1210NHWPL2 (mm) | 3.13 (79.5) | 4.13 (105.0) | 0.37 (9.5) | 12.76 (324.0) | 8.00 (203.2) | 0.31 (8.0) | 0.12 (3.0) | 13.50 (343.0) | 8.25 (209.5) | 10.26 (260.5) | 0.08 (2.0) | 6.79 (172.5) | 7.09 (180) |
| RVJ1412NHWPL2 (mm) | 3.25 (82.5) | 4.92 (125.0) | 0.50 (12.7) | 14.75 (374.6) | 10.00 (254.0) | 0.31 (8.0) | 0.12 (3.0) | 15.51 (394.0) | 10.24 (260.0) | 12.26 (311.5) | 0.08 (2.0) | 7.89 (200.5) | 9.56 (243) |
| RVJ1614NHWPL2 (mm) | 3.25 (82.5) | 5.01 (127.3) | 0.50 (12.7) | 16.75 (425.5) | 12.01 (305.0) | 0.31 (8.0) | 0.12 (3.0) | 17.52 (445.0) | 12.24 (311.0) | 14.25 (362.0) | 0.08 (2.0) | 7.89 (200.5) | 9.56 (243) |
| RVJ1816NHWPL2 (mm) | 3.23 (82.0) | 7.89 (200.3) | 0.50 (12.7) | 18.75 (476.2) | 12.01 (305.0) | 0.31 (8.0) | 0.12 (3.0) | 19.49 (495.0) | 14.25 (362.0) | 16.26 (413.0) | 0.08 (2.0) | 10.73 (272.5) | 14.75 (375) |

FRP NEMA 3, 3R, 4, 4X, 12 & 13 RVJ Series Stainless Steel Twist Latch(s) and 2 Non-Metallic Hinges



FEATURES

- All RVJ Series enclosures are designed to meet the Joint Industrial Council (JIC) standards in the United States.
- RVJ's are made from corrosion resistant hot compression molded fiberglass reinforced polyester and do not contain halogens.
- The RVJ Series "NHWLL" enclosures include one or two stainless steel twist latches to secure one side of the cover to the base with two non-metallic hinges that secures the other. Self-tapping screws connect the hinges to the cover and base.
- Four sizes are available from 10" x 8" to 16" x 14"
- Vynckier's RVJ enclosures are capable of withstanding continuous temperatures from -58°F (-50°C) up to 302°F (150°C).
- RVJ enclosures provide protection for equipment and operators from indirect electrical contact.

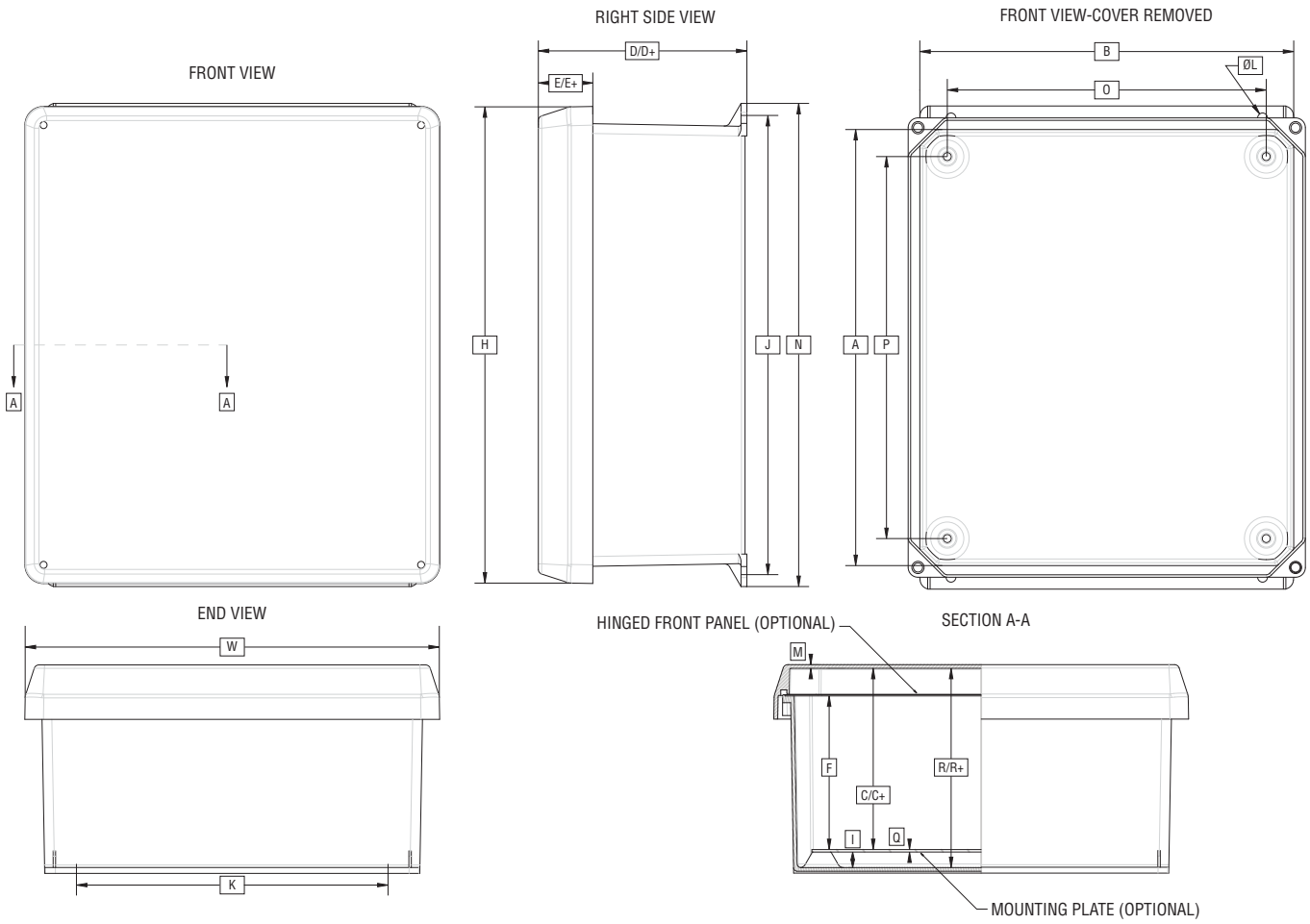
- All RVJ enclosures are UL listed per UL Standard 508 for NEMA 3, 3R, 4, 4X, 12 & 13; CSA Certified per Standard C22.2-0, 0.4, 0.7, 0.6, 94 Type 3, 3R, 4, 4X, 12 & 13.

OPTIONAL ACCESSORIES

- Molded Instrument Windows
- Aluminum, Painted Steel or non-metallic Mounting Plates
- Aluminum Hinged Front Plates
- Aluminum Front Plates with quarter turn brackets
- MEDV Air Vents
- Backpanel stand-offs in four different lengths
- Non-Metallic Lift-off Hinges

| Raised Cover N-M Hinge SS Twist Latch | Outside Dimension | | | Inside Dimension | | | Weight | Mounting Plates* | | | Front Panels Plain Hinged | |
|---|-------------------|------------------|------------------|------------------|------------------|------------------|--------------------|------------------|---------|--------------|---------------------------------|--------------------|
| | H | W | D | A | B | C | | Aluminum | Steel | Non-Metallic | | Dimensions |
| RVJ1008NHWLL1 (mm) | 11.31 (287.4) | 9.31 (236.6) | 6.93 (176.0) | 10.00 (254.0) | 8.00 (203.2) | 6.18 (157.0) | 4.9 lb 2.2 kg | MP1008A | MP1008S | MP1008N | 8.75 x 6.88 (222 x 175) | VFP1008A VFPH1008A |
| RVJ1210NHWLL2 (mm) | 13.31 (338.2) | 11.31 (287.4) | 7.09 (180.0) | 12.00 (304.8) | 10.00 (254.0) | 6.34 (161.0) | 6.5 lb 2.9 kg | MP1210A | MP1210S | MP1210N | 10.50 x 8.88 (267 x 226) | VFP1210A VFPH1210A |
| RVJ1412NHWLL2 (mm) | 15.32 (389) | 13.30 (338) | 8.19 (208.0) | 14.00 (355.6) | 12.00 (304.8) | 7.31 (185.8) | 8.8 lb 4.0 kg | MP1412A | MP1412S | MP1412N | 12.75 x 10.88 (324 x 276) | VFP1412A VFPH1412A |
| RVJ1614NHWLL2 (mm) | 17.31 (439.8) | 15.31 (389) | 8.19 (208.0) | 16.00 (406.4) | 14.00 (355.6) | 7.37 (185.8) | 10.8 lb 4.9 kg | MP1614A | MP1614S | MP1614N | 14.75 x 12.88 (375 x 327) | VFP1614A VFPH1614A |
| RVJ1816NHWLL2 (mm) | 19.31 (490.6) | 17.31 (439.8) | 11.08 (280.9) | 18.00 (457.2) | 16.00 (406.4) | 10.23 (258.8) | 14.25 lb 6.5 kg | MP1816A | MP1816S | MP1816N | 16.75 x 14.88 (426 x 378) | VFP1816A VFPH1816A |

* A aluminum back panel (.080" material thickness)
 S painted steel back panel (.060" material thickness)
 N non-metallic back panel (.187" material thickness)



| Raised Cover N-M Hinge SS Twist Latch | Dimensions | | | | | | | | | | | | Latch Spacing |
|---|----------------|-----------------|----------------|------------------|------------------|---------------|---------------|------------------|------------------|------------------|---------------|------------------|----------------|
| | E | F | I | J | K | L | M | N | O | P | Q | R | |
| RVJ1008NHWLL1 (mm) | 3.13 (79.5) | 4.01 (101.8) | 0.37 (9.5) | 10.75 (273.0) | 6.00 (152.5) | 0.31 (8.0) | 0.12 (3.0) | 11.50 (292.0) | 6.24 (158.5) | 8.25 (209.5) | 0.08 (2.0) | 6.63 (168.5) | Ctr - |
| RVJ1210NHWLL2 (mm) | 3.13 (79.5) | 4.13 (105.0) | 0.37 (9.5) | 12.76 (324.0) | 8.00 (203.2) | 0.31 (8.0) | 0.12 (3.0) | 13.50 (343.0) | 8.25 (209.5) | 10.26 (260.5) | 0.08 (2.0) | 6.79 (172.5) | 7.09 (180) |
| RVJ1412NHWLL2 (mm) | 3.25 (82.5) | 4.92 (125.0) | 0.50 (12.7) | 14.75 (374.6) | 10.00 (254.0) | 0.31 (8.0) | 0.12 (3.0) | 15.51 (394.0) | 10.24 (260.0) | 12.26 (311.5) | 0.08 (2.0) | 7.89 (200.5) | 9.56 (243) |
| RVJ1614NHWLL2 (mm) | 3.25 (82.5) | 5.01 (127.3) | 0.50 (12.7) | 16.75 (425.5) | 12.01 (305.0) | 0.31 (8.0) | 0.12 (3.0) | 17.52 (445.0) | 12.24 (311.0) | 14.25 (362.0) | 0.08 (2.0) | 7.89 (200.5) | 9.56 (243) |
| RVJ1816NHWLL2 (mm) | 3.23 (82.0) | 7.89 (200.3) | 0.50 (12.7) | 18.75 (476.2) | 12.01 (305.0) | 0.31 (8.0) | 0.12 (3.0) | 19.49 (495.0) | 14.25 (362.0) | 16.26 (413.0) | 0.08 (2.0) | 10.73 (272.5) | 14.75 (375) |

FRP NEMA 3, 3R, 4, 4X, 12 & 13 RVJB Series with 4 Captive Stainless Steel Cover Screws. Raised Cover with Bonded Window on Cover



FEATURES

- All RVJB Series enclosures are designed to meet the Joint Industrial Council (JIC) standards in the United States.
- RVJB's are made from corrosion resistant hot compression molded fiberglass reinforced polyester with transparent lexana windows. These enclosures do not contain halogens.
- The RVJB Series "W" enclosures include four stainless steel captive screws that secure the cover to the base by means of four threaded brass inserts contained in the base.
- Four sizes are available from 10" x 8" to 16" x 14"
- Vynckier's RVJB enclosures are capable of withstanding continuous temperatures from -58°F (-50°C) up to 302°F (150°C).
- RVJB enclosures provide protection for equipment and operators from indirect electrical contact.
- All RVJB enclosures are UL listed per UL

Standard 508 for NEMA 3, 3R, 4, 4X, 12 & 13; CSA Certified per Standard C22.2-0, 0.4, 0.7, 0.6, 94 Type 3, 3R, 4, 4X, 12 & 13.

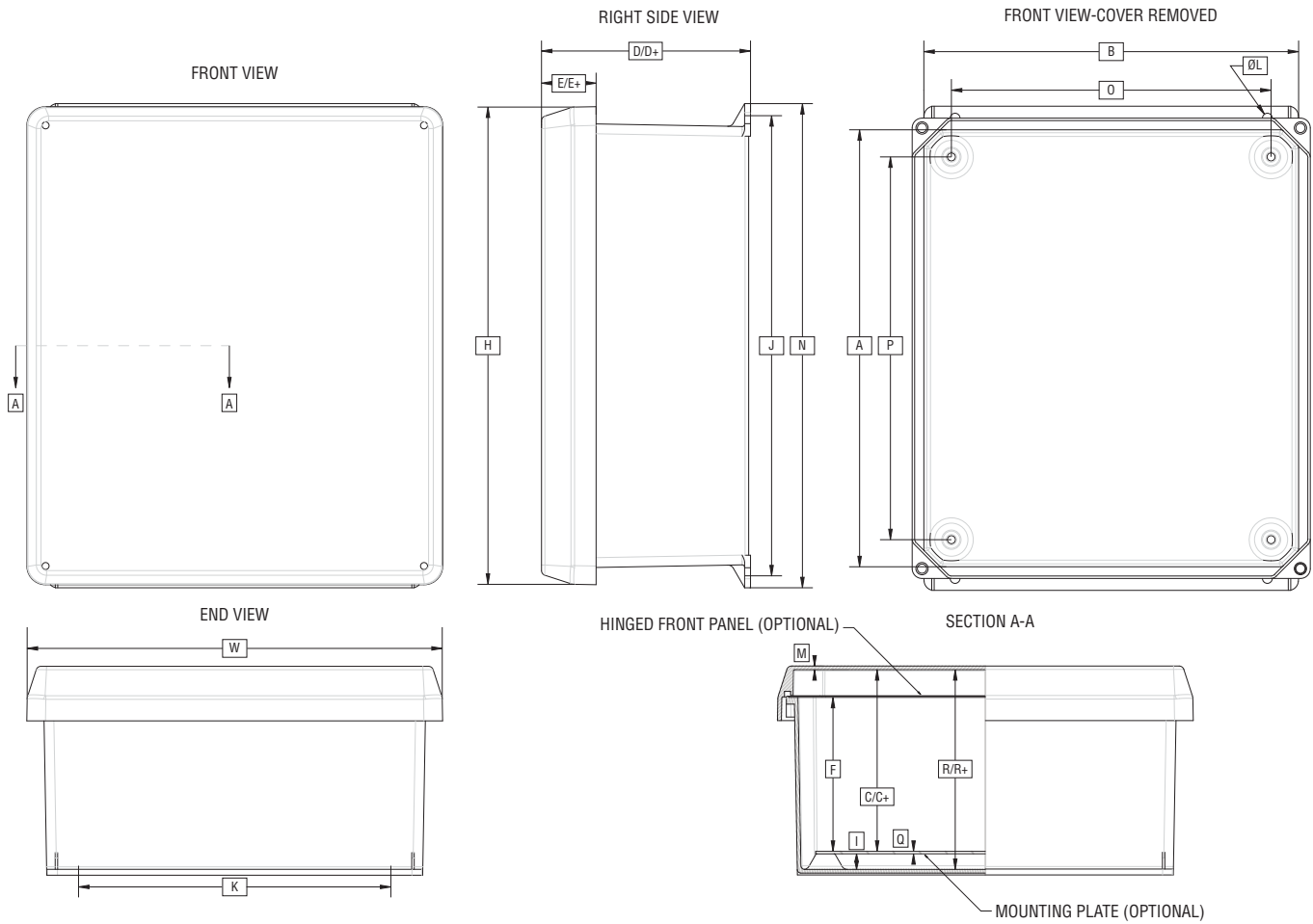
OPTIONAL ACCESSORIES

- Aluminum, Painted Steel or non-metallic Mounting Plates
- Aluminum Hinged Front Plates
- Aluminum Front Plates with quarter turn brackets
- MEDV Air Vents
- Backpanel stand-offs in four different lengths

| Raised Cover Bonded Window Screw Cover | Outside Dimension | | | Inside Dimension | | | Weight | Mounting Plates* | | | Front Panels | | |
|--|----------------------|------------------|------------------|---------------------|------------------|------------------|--------------------|------------------|---------|--------------|------------------------------|----------|-----------|
| | H | W | D | A | B | C | | Aluminum | Steel | Non-Metallic | Dimensions | Plain | Hinged |
| RVJB1008W (mm) | 11.31 (287.4) | 9.31 (236.6) | 6.93 (176.0) | 10.00 (254.0) | 8.00 (203.2) | 6.18 (157.0) | 4.9 lb 2.2 kg | MP1008A | MP1008S | MP1008N | 8.75 x 6.88 (222 x 175) | VFP1008A | VFPH1008A |
| RVJB1210W (mm) | 13.31 (338.2) | 11.31 (287.4) | 7.09 (180.0) | 12.00 (304.8) | 10.00 (254.0) | 6.34 (161.0) | 6.5 lb 2.9 kg | MP1210A | MP1210S | MP1210N | 10.50 x 8.88 (267 x 226) | VFP1210A | VFPH1210A |
| RVJB1412W (mm) | 15.32 (389) | 13.30 (338) | 8.19 (208.0) | 14.00 (355.6) | 12.00 (304.8) | 7.31 (185.8) | 8.8 lb 4.0 kg | MP1412A | MP1412S | MP1412N | 12.75 x 10.88 (324 x 276) | VFP1412A | VFPH1412A |
| RVJB1614W (mm) | 17.31 (439.8) | 15.31 (389) | 8.19 (208.0) | 16.00 (406.4) | 14.00 (355.6) | 7.37 (185.8) | 10.8 lb 4.9 kg | MP1614A | MP1614S | MP1614N | 14.75 x 12.88 (375 x 327) | VFP1614A | VFPH1614A |
| RVJB1816W (mm) | 19.31 (490.6) | 17.31 (439.8) | 11.08 (280.9) | 18.00 (457.2) | 16.00 (406.4) | 10.23 (258.8) | 14.25 lb 6.5 kg | MP1816A | MP1816S | MP1816N | 16.75 x 14.88 (426 x 378) | VFP1816A | VFPH1816A |

- * A aluminum back panel (.080" material thickness)
 S painted steel back panel (.060" material thickness)
 N non-metallic back panel (.187" material thickness)

Consult factory for custom size bonded window



| Raised Cover Bonded Window Screw Cover | Dimensions | | | | | | | | | | | | Window | |
|--|----------------|-----------------|----------------|------------------|------------------|---------------|---------------|------------------|------------------|------------------|---------------|------------------|----------------|----------------|
| | E | F | I | J | K | L | M | N | O | P | Q | R | Height | Width |
| RVJB1008W (mm) | 3.13 (79.5) | 4.01 (101.8) | 0.37 (9.5) | 10.75 (273.0) | 6.00 (152.5) | 0.31 (8.0) | 0.12 (3.0) | 11.50 (292.0) | 6.24 (158.5) | 8.25 (209.5) | 0.08 (2.0) | 6.63 (168.5) | 8.00 (203) | 6.00 (152) |
| RVJB1210W (mm) | 3.13 (79.5) | 4.13 (105.0) | 0.37 (9.5) | 12.76 (324.0) | 8.00 (203.2) | 0.31 (8.0) | 0.12 (3.0) | 13.50 (343.0) | 8.25 (209.5) | 10.26 (260.5) | 0.08 (2.0) | 6.79 (172.5) | 10.00 (254) | 8.00 (203) |
| RVJB1412W (mm) | 3.25 (82.5) | 4.92 (125.0) | 0.50 (12.7) | 14.75 (374.6) | 10.00 (254.0) | 0.31 (8.0) | 0.12 (3.0) | 15.51 (394.0) | 10.24 (260.0) | 12.26 (311.5) | 0.08 (2.0) | 7.89 (200.5) | 12.00 (305) | 10.00 (254) |
| RVJB1614W (mm) | 3.25 (82.5) | 5.01 (127.3) | 0.50 (12.7) | 16.75 (425.5) | 12.01 (305.0) | 0.31 (8.0) | 0.12 (3.0) | 17.52 (445.0) | 12.24 (311.0) | 14.25 (362.0) | 0.08 (2.0) | 7.89 (200.5) | 14.00 (356) | 12.00 (305) |
| RVJB1816W (mm) | 3.23 (82.0) | 7.89 (200.3) | 0.50 (12.7) | 18.75 (476.2) | 12.01 (305.0) | 0.31 (8.0) | 0.12 (3.0) | 19.49 (495.0) | 14.25 (362.0) | 16.26 (413.0) | 0.08 (2.0) | 10.73 (272.5) | 16.00 (406) | 14.00 (356) |

FRP NEMA 3, 3R, 4, 4X, 12 & 13 RVJB Series with 2 Captive Stainless Steel Cover Screws and a Stainless Steel Piano Hinge. Raised Cover with Bonded Window on Cover



FEATURES

- All RVJB Series enclosures are designed to meet the Joint Industrial Council (JIC) standards in the United States.
- RVJB's are made from corrosion resistant hot compression molded fiberglass reinforced polyester with transparent lexana windows. These enclosures do not contain halogens.
- The RVJB Series "HW" enclosures include two stainless steel captive screws and a stainless steel piano hinge that secure the cover to the base. Two threaded brass inserts contained in the base secure the cover screws, rivets connect the hinge to the cover and self-tapping screws connect the hinge to the base.
- Four sizes are available from 10" x 8" to 16" x 14"
- Vynckier's RVJB enclosures are capable of withstanding continuous temperatures from -58°F (-50°C) up to 302°F (150°C).
- RVJB enclosures provide protection for equipment and operators from indirect electrical contact.

- All RVJB enclosures are UL listed per UL Standard 508 for NEMA 3, 3R, 4, 4X, 12 & 13; CSA Certified per Standard C22.2-0, 0.4, 0.7, 0.6, 94 Type 3, 3R, 4, 4X, 12 & 13.

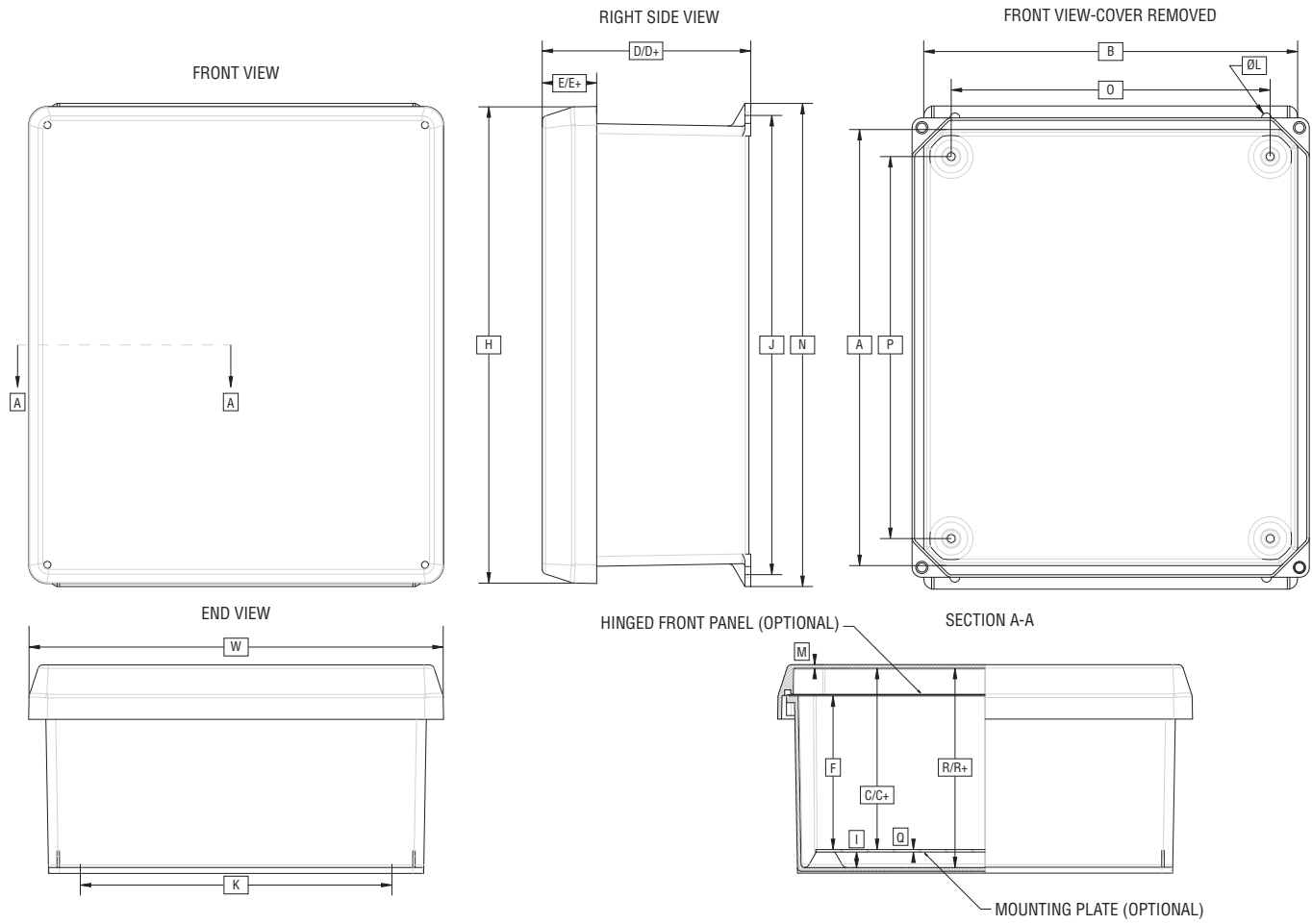
OPTIONAL ACCESSORIES

- Aluminum, Painted Steel or non-metallic Mounting Plates
- Aluminum Hinged Front Plates
- Aluminum Front Plates with quarter turn brackets
- MEDV Air Vents
- Backpanel stand-offs in four different lengths

| Raised Cover Bonded Window SS Hinge | Outside Dimension | | | Inside Dimension | | | Weight | Mounting Plates* | | | Dimensions | Front Panels | |
|-------------------------------------|-------------------|------------------|------------------|------------------|------------------|------------------|--------------------|------------------|---------|--------------|------------------------------|--------------|-----------|
| | H | W | D | A | B | C | | Aluminum | Steel | Non-Metallic | | Plain | Hinged |
| RVJB1008HW (mm) | 11.31 (287.4) | 9.31 (236.6) | 6.93 (176.0) | 10.00 (254.0) | 8.00 (203.2) | 6.18 (157.0) | 4.9 lb 2.2 kg | MP1008A | MP1008S | MP1008N | 8.75 x 6.88 (222 x 175) | VFP1008A | VFPH1008A |
| RVJB1210HW (mm) | 13.31 (338.2) | 11.31 (287.4) | 7.09 (180.0) | 12.00 (304.8) | 10.00 (254.0) | 6.34 (161.0) | 6.5 lb 2.9 kg | MP1210A | MP1210S | MP1210N | 10.50 x 8.88 (267 x 226) | VFP1210A | VFPH1210A |
| RVJB1412HW (mm) | 15.32 (389) | 13.30 (338) | 8.19 (208.0) | 14.00 (355.6) | 12.00 (304.8) | 7.31 (185.8) | 8.8 lb 4.0 kg | MP1412A | MP1412S | MP1412N | 12.75 x 10.88 (324 x 276) | VFP1412A | VFPH1412A |
| RVJB1614HW (mm) | 17.31 (439.8) | 15.31 (389) | 8.19 (208.0) | 16.00 (406.4) | 14.00 (355.6) | 7.37 (185.8) | 10.8 lb 4.9 kg | MP1614A | MP1614S | MP1614N | 14.75 x 12.88 (375 x 327) | VFP1614A | VFPH1614A |
| RVJB1816HW (mm) | 19.31 (490.6) | 17.31 (439.8) | 11.08 (280.9) | 18.00 (457.2) | 16.00 (406.4) | 10.23 (258.8) | 14.25 lb 6.5 kg | MP1816A | MP1816S | MP1816N | 16.75 x 14.88 (426 x 378) | VFP1816A | VFPH1816A |

* A aluminum back panel (.080" material thickness)
 S painted steel back panel (.060" material thickness)
 N non-metallic back panel (.187" material thickness)

Consult factory for custom size bonded window



| Raised Cover Bonded Window SS Hinge | Dimensions | | | | | | | | | | | | Window | |
|---|----------------|-----------------|----------------|------------------|------------------|---------------|---------------|------------------|------------------|------------------|---------------|------------------|----------------|----------------|
| | E | F | I | J | K | L | M | N | O | P | Q | R | Height | Width |
| RVJB1008HW (mm) | 3.13 (79.5) | 4.01 (101.8) | 0.37 (9.5) | 10.75 (273.0) | 6.00 (152.5) | 0.31 (8.0) | 0.12 (3.0) | 11.50 (292.0) | 6.24 (158.5) | 8.25 (209.5) | 0.08 (2.0) | 6.63 (168.5) | 8.00 (203) | 6.00 (152) |
| RVJB1210HW (mm) | 3.13 (79.5) | 4.13 (105.0) | 0.37 (9.5) | 12.76 (324.0) | 8.00 (203.2) | 0.31 (8.0) | 0.12 (3.0) | 13.50 (343.0) | 8.25 (209.5) | 10.26 (260.5) | 0.08 (2.0) | 6.79 (172.5) | 10.00 (254) | 8.00 (203) |
| RVJB1412HW (mm) | 3.25 (82.5) | 4.92 (125.0) | 0.50 (12.7) | 14.75 (374.6) | 10.00 (254.0) | 0.31 (8.0) | 0.12 (3.0) | 15.51 (394.0) | 10.24 (260.0) | 12.26 (311.5) | 0.08 (2.0) | 7.89 (200.5) | 12.00 (305) | 10.00 (254) |
| RVJB1614HW (mm) | 3.25 (82.5) | 5.01 (127.3) | 0.50 (12.7) | 16.75 (425.5) | 12.01 (305.0) | 0.31 (8.0) | 0.12 (3.0) | 17.52 (445.0) | 12.24 (311.0) | 14.25 (362.0) | 0.08 (2.0) | 7.89 (200.5) | 14.00 (356) | 12.00 (305) |
| RVJB1816HW (mm) | 3.23 (82.0) | 7.89 (200.3) | 0.50 (12.7) | 18.75 (476.2) | 12.01 (305.0) | 0.31 (8.0) | 0.12 (3.0) | 19.49 (495.0) | 14.25 (362.0) | 16.26 (413.0) | 0.08 (2.0) | 10.73 (272.5) | 16.00 (406) | 14.00 (356) |

FRP NEMA 3, 3R, 4, 4X, 12 & 13 RVJB Series with Stainless Steel Padlockable Latch(s) and a Stainless Steel Piano Hinge. Raised Cover with Bonded Window on Cover



FEATURES

- All RVJB Series enclosures are designed to meet the Joint Industrial Council (JIC) standards in the United States.
- RVJB's are made from corrosion resistant hot compression molded fiberglass reinforced polyester with transparent lexana windows. These enclosures do not contain halogens.
- The RVJB Series "HWPL" enclosures include one or two stainless steel padlockable latches to secure one side of the cover to the base and a stainless steel piano hinge that secures the other. Rivets connect the hinge to the cover and self-tapping screws connect the screws to the base.
- Four sizes are available from 10" x 8" to 16" x 14"
- Vynckier's RVJB enclosures are capable of withstanding continuous temperatures from -58°F (-50°C) up to 302°F (150°C).
- RVJB enclosures provide protection for equipment and operators from indirect electrical contact.

- All RVJB enclosures are UL listed per UL Standard 508 for NEMA 3, 3R, 4, 4X, 12 & 13; CSA Certified per Standard C22.2-0, 0.4, 0.7, 0.6, 94 Type 3, 3R, 4, 4X, 12 & 13.

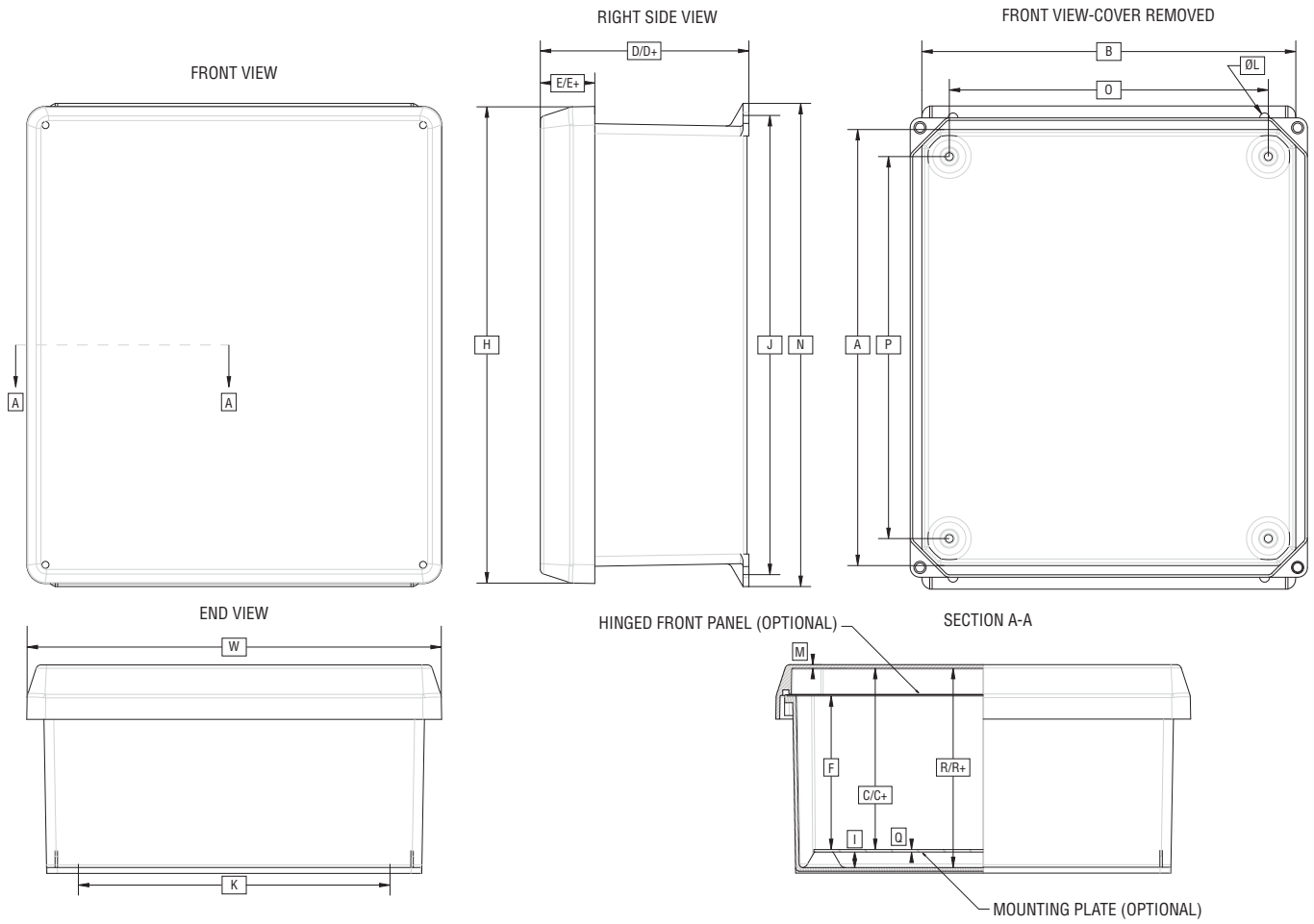
OPTIONAL ACCESSORIES

- Aluminum, Painted Steel or non-metallic Mounting Plates
- Aluminum Hinged Front Plates
- Aluminum Front Plates with quarter turn brackets
- MEDV Air Vents
- Backpanel stand-offs in four different lengths

| Raised Cvr, Bonded Window, N-M Hinge SS PL Latch | Outside Dimension | | | Inside Dimension | | | Weight | Mounting Plates* | | | Dimensions | Front Panels | |
|--|-------------------|------------------|------------------|------------------|------------------|------------------|--------------------|------------------|---------|--------------|------------------------------|--------------|-----------|
| | H | W | D | A | B | C | | Aluminum | Steel | Non-Metallic | | Plain | Hinged |
| RVJB1008HWPL1 (mm) | 11.31 (287.4) | 9.31 (236.6) | 6.93 (176.0) | 10.00 (254.0) | 8.00 (203.2) | 6.18 (157.0) | 4.9 lb 2.2 kg | MP1008A | MP1008S | MP1008N | 8.75 x 6.88 (222 x 175) | VFP1008A | VFPH1008A |
| RVJB1210HWPL2 (mm) | 13.31 (338.2) | 11.31 (287.4) | 7.09 (180.0) | 12.00 (304.8) | 10.00 (254.0) | 6.34 (161.0) | 6.5 lb 2.9 kg | MP1210A | MP1210S | MP1210N | 10.50 x 8.88 (267 x 226) | VFP1210A | VFPH1210A |
| RVJB1412HWPL2 (mm) | 15.32 (389) | 13.30 (338) | 8.19 (208.0) | 14.00 (355.6) | 12.00 (304.8) | 7.31 (185.8) | 8.8 lb 4.0 kg | MP1412A | MP1412S | MP1412N | 12.75 x 10.88 (324 x 276) | VFP1412A | VFPH1412A |
| RVJB1614HWPL2 (mm) | 17.31 (439.8) | 15.31 (389) | 8.19 (208.0) | 16.00 (406.4) | 14.00 (355.6) | 7.37 (185.8) | 10.8 lb 4.9 kg | MP1614A | MP1614S | MP1614N | 14.75 x 12.88 (375 x 327) | VFP1614A | VFPH1614A |
| RVJB1816HWPL2 (mm) | 19.31 (490.6) | 17.31 (439.8) | 11.08 (280.9) | 18.00 (457.2) | 16.00 (406.4) | 10.23 (258.8) | 14.25 lb 6.5 kg | MP1816A | MP1816S | MP1816N | 16.75 x 14.88 (426 x 378) | VFP1816A | VFPH1816A |

- * A aluminum back panel (.080" material thickness)
 S painted steel back panel (.060" material thickness)
 N non-metallic back panel (.187" material thickness)

Consult factory for custom size bonded window



| Raised Cvr, Bonded Window, N-M Hinge SS PL Latch | Dimensions | | | | | | | | | | | | Window | |
|--|----------------|-----------------|----------------|------------------|------------------|---------------|---------------|------------------|------------------|------------------|---------------|------------------|----------------|----------------|
| | E | F | I | J | K | L | M | N | O | P | Q | R | Height | Width |
| RVJB1008HWPL1 (mm) | 3.13 (79.5) | 4.01 (101.8) | 0.37 (9.5) | 10.75 (273.0) | 6.00 (152.5) | 0.31 (8.0) | 0.12 (3.0) | 11.50 (292.0) | 6.24 (158.5) | 8.25 (209.5) | 0.08 (2.0) | 6.63 (168.5) | 8.00 (203) | 6.00 (152) |
| RVJB1210HWPL2 (mm) | 3.13 (79.5) | 4.13 (105.0) | 0.37 (9.5) | 12.76 (324.0) | 8.00 (203.2) | 0.31 (8.0) | 0.12 (3.0) | 13.50 (343.0) | 8.25 (209.5) | 10.26 (260.5) | 0.08 (2.0) | 6.79 (172.5) | 10.00 (254) | 8.00 (203) |
| RVJB1412HWPL2 (mm) | 3.25 (82.5) | 4.92 (125.0) | 0.50 (12.7) | 14.75 (374.6) | 10.00 (254.0) | 0.31 (8.0) | 0.12 (3.0) | 15.51 (394.0) | 10.24 (260.0) | 12.26 (311.5) | 0.08 (2.0) | 7.89 (200.5) | 12.00 (305) | 10.00 (254) |
| RVJB1614HWPL2 (mm) | 3.25 (82.5) | 5.01 (127.3) | 0.50 (12.7) | 16.75 (425.5) | 12.01 (305.0) | 0.31 (8.0) | 0.12 (3.0) | 17.52 (445.0) | 12.24 (311.0) | 14.25 (362.0) | 0.08 (2.0) | 7.89 (200.5) | 14.00 (356) | 12.00 (305) |
| RVJB1816HWPL2 (mm) | 3.23 (82.0) | 7.89 (200.3) | 0.50 (12.7) | 18.75 (476.2) | 12.01 (305.0) | 0.31 (8.0) | 0.12 (3.0) | 19.49 (495.0) | 14.25 (362.0) | 16.26 (413.0) | 0.08 (2.0) | 10.73 (272.5) | 16.00 (406) | 14.00 (356) |

FRP NEMA 3, 3R, 4, 4X, 12 & 13 RVJB Series Stainless Steel Twist Latch(s) and a Stainless Steel Piano Hinge. Raised Cover with Bonded Window on Cover



FEATURES

- All RVJB Series enclosures are designed to meet the Joint Industrial Council (JIC) standards in the United States.
- RVJB's are made from corrosion resistant hot compression molded fiberglass reinforced polyester with transparent lexana windows. These enclosures do not contain halogens.
- The RVJB Series "HWLL" enclosures include one or two stainless steel twist latches to secure one side of the cover to the base and a stainless steel piano hinge that secures the other. Rivets connect the hinge to the cover and self-tapping screws connect the screws to the base.
- Four sizes are available from 10" x 8" to 16" x 14"
- Vynckier's RVJB enclosures are capable of withstanding continuous temperatures from -58°F (-50°C) up to 302°F (150°C).
- RVJB enclosures provide protection for equipment and operators from indirect electrical contact.

- All RVJB enclosures are UL listed per UL Standard 508 for NEMA 3, 3R, 4, 4X, 12 & 13; CSA Certified per Standard C22.2-0, 0.4, 0.7, 0.6, 94 Type 3, 3R, 4, 4X, 12 & 13.

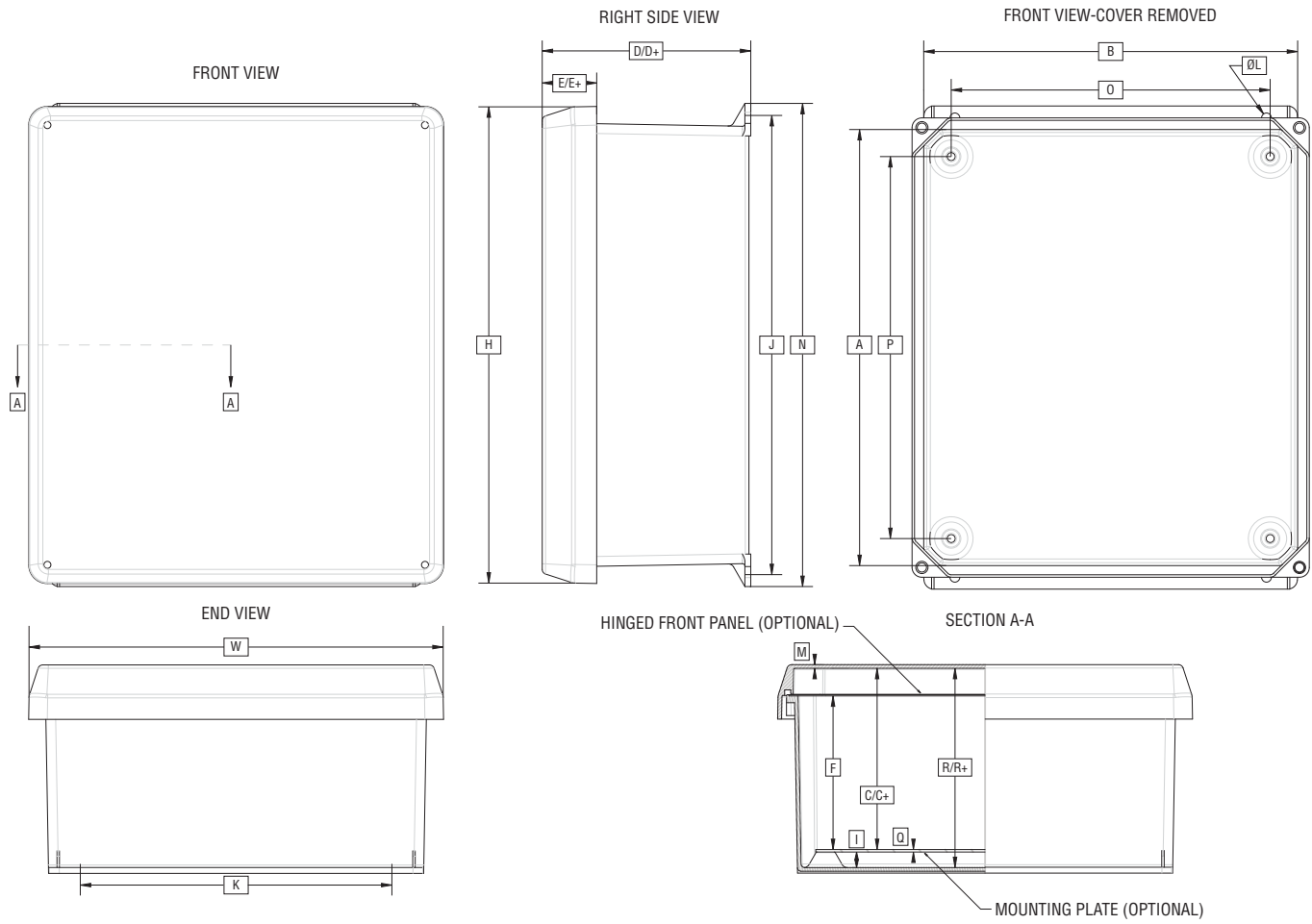
OPTIONAL ACCESSORIES

- Aluminum, Painted Steel or non-metallic Mounting Plates
- Aluminum Hinged Front Plates
- Aluminum Front Plates with quarter turn brackets
- MEDV Air Vents
- Backpanel stand-offs in four different lengths

| Raised Cover, Window, N-M Hinge SS Twist Latch | Outside Dimension | | | Inside Dimension | | | Weight | Mounting Plates* | | | Dimensions | Front Panels | |
|--|-------------------|------------------|------------------|------------------|------------------|------------------|--------------------|------------------|---------|--------------|------------------------------|--------------|-----------|
| | H | W | D | A | B | C | | Aluminum | Steel | Non-Metallic | | Plain | Hinged |
| RVJB1008HWLL1 (mm) | 11.31 (287.4) | 9.31 (236.6) | 6.93 (176.0) | 10.00 (254.0) | 8.00 (203.2) | 6.18 (157.0) | 4.9 lb 2.2 kg | MP1008A | MP1008S | MP1008N | 8.75 x 6.88 (222 x 175) | VFP1008A | VFPH1008A |
| RVJB1210HWLL2 (mm) | 13.31 (338.2) | 11.31 (287.4) | 7.09 (180.0) | 12.00 (304.8) | 10.00 (254.0) | 6.34 (161.0) | 6.5 lb 2.9 kg | MP1210A | MP1210S | MP1210N | 10.50 x 8.88 (267 x 226) | VFP1210A | VFPH1210A |
| RVJB1412HWLL2 (mm) | 15.32 (389) | 13.30 (338) | 8.19 (208.0) | 14.00 (355.6) | 12.00 (304.8) | 7.31 (185.8) | 8.8 lb 4.0 kg | MP1412A | MP1412S | MP1412N | 12.75 x 10.88 (324 x 276) | VFP1412A | VFPH1412A |
| RVJB1614HWLL2 (mm) | 17.31 (439.8) | 15.31 (389) | 8.19 (208.0) | 16.00 (406.4) | 14.00 (355.6) | 7.37 (185.8) | 10.8 lb 4.9 kg | MP1614A | MP1614S | MP1614N | 14.75 x 12.88 (375 x 327) | VFP1614A | VFPH1614A |
| RVJB1816HWLL2 (mm) | 19.31 (490.6) | 17.31 (439.8) | 11.08 (280.9) | 18.00 (457.2) | 16.00 (406.4) | 10.23 (258.8) | 14.25 lb 6.5 kg | MP1816A | MP1816S | MP1816N | 16.75 x 14.88 (426 x 378) | VFP1816A | VFPH1816A |

- * A aluminum back panel (.080" material thickness)
 S painted steel back panel (.060" material thickness)
 N non-metallic back panel (.187" material thickness)

Consult factory for custom size bonded window



| Raised Cover, Bonded Window SS Twist Latch | Dimensions | | | | | | | | | | | | Window Ht | Window Wd | Latch Spacing |
|--|----------------|-----------------|----------------|------------------|------------------|---------------|---------------|------------------|------------------|------------------|---------------|------------------|----------------|----------------|------------------|
| | E | F | I | J | K | L | M | N | O | P | Q | R | | | |
| RVJB1008HWLL1 (mm) | 3.13 (79.5) | 4.01 (101.8) | 0.37 (9.5) | 10.75 (273.0) | 6.00 (152.5) | 0.31 (8.0) | 0.12 (3.0) | 11.50 (292.0) | 6.24 (158.5) | 8.25 (209.5) | 0.08 (2.0) | 6.63 (168.5) | 8.00 (203) | 6.00 (152) | Ctr - |
| RVJB1210HWLL2 (mm) | 3.13 (79.5) | 4.13 (105.0) | 0.37 (9.5) | 12.76 (324.0) | 8.00 (203.2) | 0.31 (8.0) | 0.12 (3.0) | 13.50 (343.0) | 8.25 (209.5) | 10.26 (260.5) | 0.08 (2.0) | 6.79 (172.5) | 10.00 (254) | 8.00 (203) | 7.09 (180) |
| RVJB1412HWLL2 (mm) | 3.25 (82.5) | 4.92 (125.0) | 0.50 (12.7) | 14.75 (374.6) | 10.00 (254.0) | 0.31 (8.0) | 0.12 (3.0) | 15.51 (394.0) | 10.24 (260.0) | 12.26 (311.5) | 0.08 (2.0) | 7.89 (200.5) | 12.00 (305) | 10.00 (254) | 9.56 (2.43) |
| RVJB1614HWLL2 (mm) | 3.25 (82.5) | 5.01 (127.3) | 0.50 (12.7) | 16.75 (425.5) | 12.01 (305.0) | 0.31 (8.0) | 0.12 (3.0) | 17.52 (445.0) | 12.24 (311.0) | 14.25 (362.0) | 0.08 (2.0) | 7.89 (200.5) | 14.00 (356) | 12.00 (305) | 9.56 (243) |
| RVJB1816HWLL2 (mm) | 3.23 (82.0) | 7.89 (200.3) | 0.50 (12.7) | 18.75 (476.2) | 12.01 (305.0) | 0.31 (8.0) | 0.12 (3.0) | 19.49 (495.0) | 14.25 (362.0) | 16.26 (413.0) | 0.08 (2.0) | 10.73 (272.5) | 16.00 (406) | 14.00 (356) | 14.75 (375) |

FRP NEMA 3, 3R, 4, 4X, 12 & 13 RVJB Series with 2 Captive Stainless Steel Cover Screws and 2 Non-metallic Hinges. Raised Cover with Bonded Window on Cover



FEATURES

- All RVJB Series enclosures are designed to meet the Joint Industrial Council (JIC) standards in the United States.
- RVJB's are made from corrosion resistant hot compression molded fiberglass reinforced polyester with transparent lexana windows. These enclosures do not contain halogens.
- The RVJB Series "NHW" enclosures include two stainless steel captive screws and two non-metallic hinges that secure the cover to the base. Two threaded brass inserts contained in the base secure the cover screws. Self tapping screws connect the hinges to the cover and base.
- Four sizes are available from 10" x 8" to 16" x 14"
- Vynckier's RVJB enclosures are capable of withstanding continuous temperatures from -58°F (-50°C) up to 302°F (150°C).
- RVJB enclosures provide protection for equipment and operators from indirect electrical contact.

- All RVJB enclosures are UL listed per UL Standard 508 for NEMA 3, 3R, 4, 4X, 12 & 13; CSA Certified per Standard C22.2-0, 0.4, 0.7, 0.6, 94 Type 3, 3R, 4, 4X, 12 & 13.

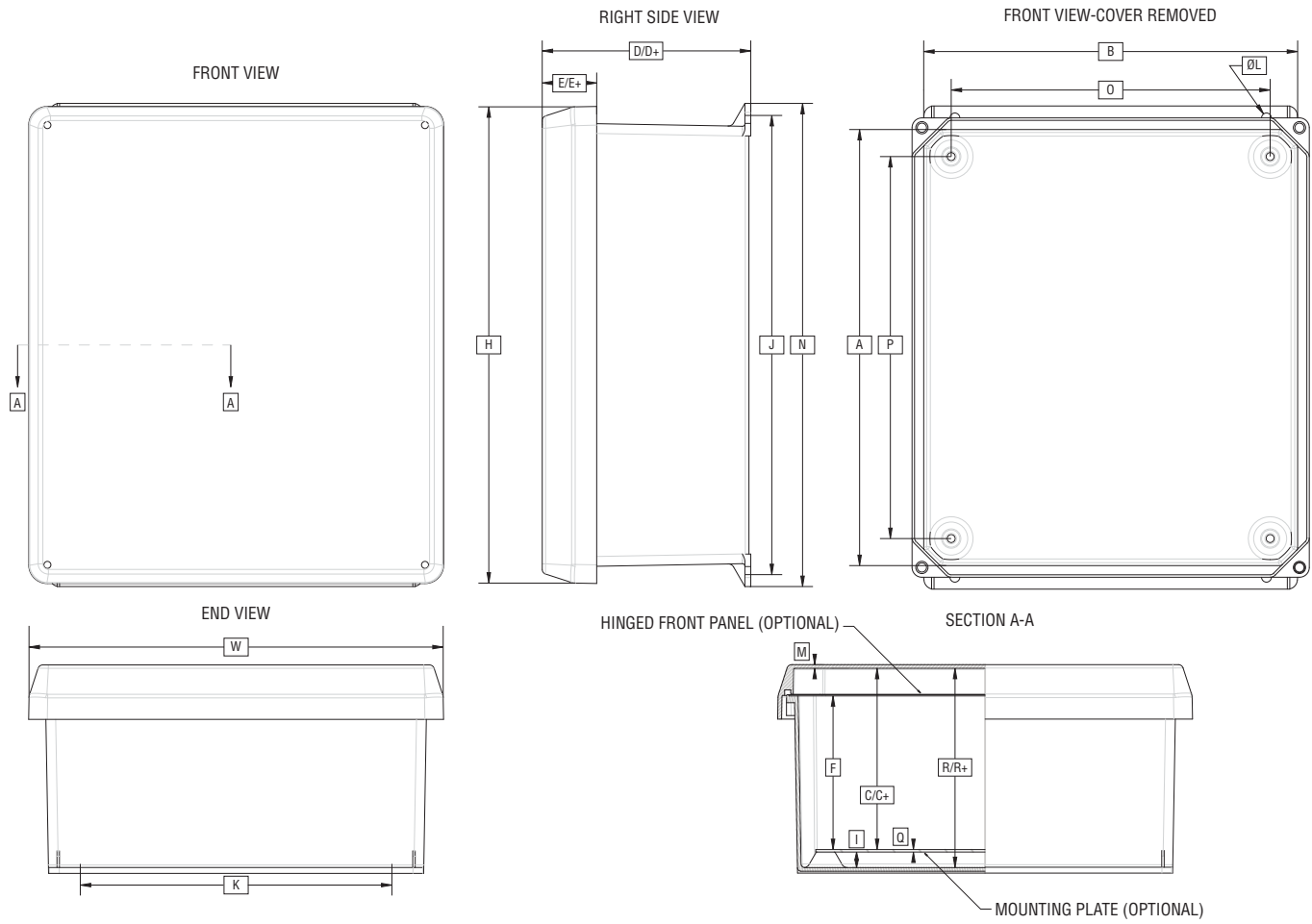
OPTIONAL ACCESSORIES

- Aluminum, Painted Steel or non-metallic Mounting Plates
- Aluminum Hinged Front Plates
- Aluminum Front Plates with quarter turn brackets
- MEDV Air Vents
- Backpanel stand-offs in four different lengths

| Raised Cover Bonded Window N-M Hinges | Outside Dimension | | | Inside Dimension | | | Weight | Mounting Plates* | | | Front Panels | | |
|---------------------------------------|-------------------|------------------|------------------|------------------|------------------|------------------|--------------------|------------------|---------|--------------|------------------------------|----------|-----------|
| | H | W | D | A | B | C | | Aluminum | Steel | Non-Metallic | Dimensions | Plain | Hinged |
| RVJB1008NHW (mm) | 11.31 (287.4) | 9.31 (236.6) | 6.93 (176.0) | 10.00 (254.0) | 8.00 (203.2) | 6.18 (157.0) | 4.9 lb 2.2 kg | MP1008A | MP1008S | MP1008N | 8.75 x 6.88 (222 x 175) | VFP1008A | VFPH1008A |
| RVJB1210NHW (mm) | 13.31 (338.2) | 11.31 (287.4) | 7.09 (180.0) | 12.00 (304.8) | 10.00 (254.0) | 6.34 (161.0) | 6.5 lb 2.9 kg | MP1210A | MP1210S | MP1210N | 10.50 x 8.88 (267 x 226) | VFP1210A | VFPH1210A |
| RVJB1412NHW (mm) | 15.32 (389) | 13.30 (338) | 8.19 (208.0) | 14.00 (355.6) | 12.00 (304.8) | 7.31 (185.8) | 8.8 lb 4.0 kg | MP1412A | MP1412S | MP1412N | 12.75 x 10.88 (324 x 276) | VFP1412A | VFPH1412A |
| RVJB1614NHW (mm) | 17.31 (439.8) | 15.31 (389) | 8.19 (208.0) | 16.00 (406.4) | 14.00 (355.6) | 7.37 (185.8) | 10.8 lb 4.9 kg | MP1614A | MP1614S | MP1614N | 14.75 x 12.88 (375 x 327) | VFP1614A | VFPH1614A |
| RVJB1816NHW (mm) | 19.31 (490.6) | 17.31 (439.8) | 11.08 (280.9) | 18.00 (457.2) | 16.00 (406.4) | 10.23 (258.8) | 14.25 lb 6.5 kg | MP1816A | MP1816S | MP1816N | 16.75 x 14.88 (426 x 378) | VFP1816A | VFPH1816A |

- * A aluminum back panel (.080" material thickness)
 S painted steel back panel (.060" material thickness)
 N non-metallic back panel (.187" material thickness)

Consult factory for custom size bonded window



| Raised Cover Bonded Window N-M Hinges | Dimensions | | | | | | | | | | | | Window | |
|---|----------------|-----------------|----------------|------------------|------------------|---------------|---------------|------------------|------------------|------------------|---------------|------------------|----------------|----------------|
| | E | F | I | J | K | L | M | N | O | P | Q | R | Height | Width |
| RVJB1008NHW (mm) | 3.13 (79.5) | 4.01 (101.8) | 0.37 (9.5) | 10.75 (273.0) | 6.00 (152.5) | 0.31 (8.0) | 0.12 (3.0) | 11.50 (292.0) | 6.24 (158.5) | 8.25 (209.5) | 0.08 (2.0) | 6.63 (168.5) | 8.00 (203) | 6.00 (152) |
| RVJB1210NHW (mm) | 3.13 (79.5) | 4.13 (105.0) | 0.37 (9.5) | 12.76 (324.0) | 8.00 (203.2) | 0.31 (8.0) | 0.12 (3.0) | 13.50 (343.0) | 8.25 (209.5) | 10.26 (260.5) | 0.08 (2.0) | 6.79 (172.5) | 10.00 (254) | 8.00 (203) |
| RVJB1412NHW (mm) | 3.25 (82.5) | 4.92 (125.0) | 0.50 (12.7) | 14.75 (374.6) | 10.00 (254.0) | 0.31 (8.0) | 0.12 (3.0) | 15.51 (394.0) | 10.24 (260.0) | 12.26 (311.5) | 0.08 (2.0) | 7.89 (200.5) | 12.00 (305) | 10.00 (254) |
| RVJB1614NHW (mm) | 3.25 (82.5) | 5.01 (127.3) | 0.50 (12.7) | 16.75 (425.5) | 12.01 (305.0) | 0.31 (8.0) | 0.12 (3.0) | 17.52 (445.0) | 12.24 (311.0) | 14.25 (362.0) | 0.08 (2.0) | 7.89 (200.5) | 14.00 (356) | 12.00 (305) |
| RVJB1816NHW (mm) | 3.23 (82.0) | 7.89 (200.3) | 0.50 (12.7) | 18.75 (476.2) | 12.01 (305.0) | 0.31 (8.0) | 0.12 (3.0) | 19.49 (495.0) | 14.25 (362.0) | 16.26 (413.0) | 0.08 (2.0) | 10.73 (272.5) | 16.00 (406) | 14.00 (356) |

FRP NEMA 3, 3R, 4, 4X, 12 & 13 RVJB Series with Stainless Steel Padlockable Latch(s) and 2 Non-metallic Hinges. Raised Cover with Bonded Window on Cover



FEATURES

- All RVJB Series enclosures are designed to meet the Joint Industrial Council (JIC) standards in the United States.
- RVJB's are made from corrosion resistant hot compression molded fiberglass reinforced polyester with transparent lexana windows. These enclosures do not contain halogens.
- The RVJB Series "NHWPL" enclosures include one or two stainless steel padlockable latches to secure one side of the cover to the base with two non-metallic hinges that secures the other. Self-tapping screws connect the hinges to the cover and base.
- Four sizes are available from 10" x 8" to 16" x 14"
- Vynckier's RVJB enclosures are capable of withstanding continuous temperatures from -58°F (-50°C) up to 302°F (150°C).
- RVJB enclosures provide protection for equipment and operators from indirect electrical contact.

- All RVJB enclosures are UL listed per UL Standard 508 for NEMA 3, 3R, 4, 4X, 12 & 13; CSA Certified per Standard C22.2-0, 0.4, 0.7, 0.6, 94 Type 3, 3R, 4, 4X, 12 & 13.

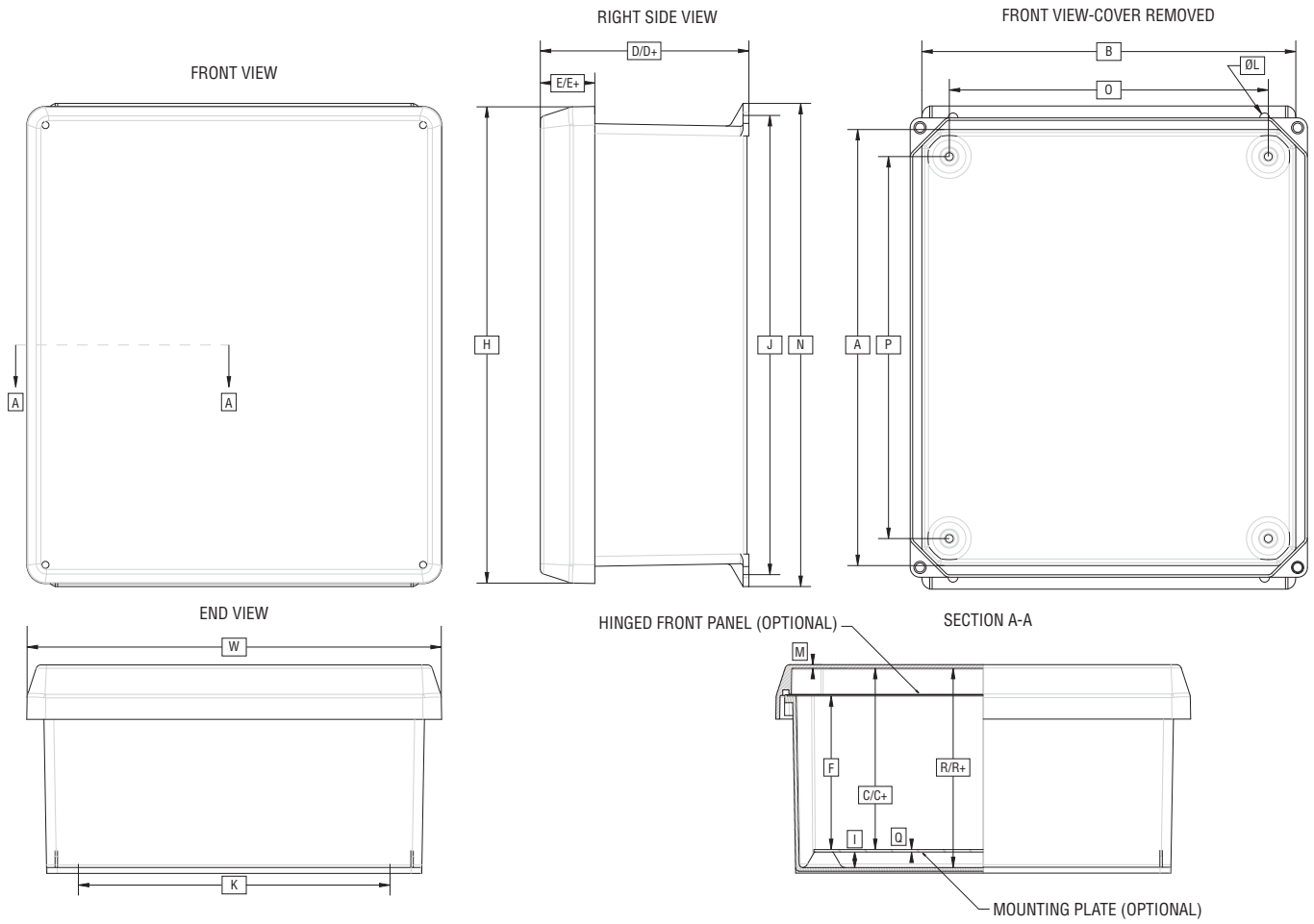
OPTIONAL ACCESSORIES

- Aluminum, Painted Steel or non-metallic Mounting Plates
- Aluminum Hinged Front Plates
- Aluminum Front Plates with quarter turn brackets
- MEDV Air Vents
- Backpanel stand-offs in four different lengths

| Raised Cvr, Bonded Window, N-M Hinge, SS PL Latch | Outside Dimension | | | Inside Dimension | | | Weight | Mounting Plates* | | | Front Panels | | |
|---|-------------------|------------------|------------------|------------------|------------------|------------------|--------------------|------------------|---------|--------------|------------------------------|----------|-----------|
| | H | W | D | A | B | C | | Aluminum | Steel | Non-Metallic | Dimensions | Plain | Hinged |
| RVJB1008NHWPL1 (mm) | 11.31 (287.4) | 9.31 (236.6) | 6.93 (176.0) | 10.00 (254.0) | 8.00 (203.2) | 6.18 (157.0) | 4.9 lb 2.2 kg | MP1008A | MP1008S | MP1008N | 8.75 x 6.88 (222 x 175) | VFP1008A | VFPH1008A |
| RVJB1210NHWPL2 (mm) | 13.31 (338.2) | 11.31 (287.4) | 7.09 (180.0) | 12.00 (304.8) | 10.00 (254.0) | 6.34 (161.0) | 6.5 lb 2.9 kg | MP1210A | MP1210S | MP1210N | 10.50 x 8.88 (267 x 226) | VFP1210A | VFPH1210A |
| RVJB1412NHWPL2 (mm) | 15.32 (389) | 13.30 (338) | 8.19 (208.0) | 14.00 (355.6) | 12.00 (304.8) | 7.31 (185.8) | 8.8 lb 4.0 kg | MP1412A | MP1412S | MP1412N | 12.75 x 10.88 (324 x 276) | VFP1412A | VFPH1412A |
| RVJB1614NHWPL2 (mm) | 17.31 (439.8) | 15.31 (389) | 8.19 (208.0) | 16.00 (406.4) | 14.00 (355.6) | 7.37 (185.8) | 10.8 lb 4.9 kg | MP1614A | MP1614S | MP1614N | 14.75 x 12.88 (375 x 327) | VFP1614A | VFPH1614A |
| RVJB1816NHWPL2 (mm) | 19.31 (490.6) | 17.31 (439.8) | 11.08 (280.9) | 18.00 (457.2) | 16.00 (406.4) | 10.23 (258.8) | 14.25 lb 6.5 kg | MP1816A | MP1816S | MP1816N | 16.75 x 14.88 (426 x 378) | VFP1816A | VFPH1816A |

- * A aluminum back panel (.080" material thickness)
 S painted steel back panel (.060" material thickness)
 N non-metallic back panel (.187" material thickness)

Consult factory for custom size bonded window



| Raised Cvr, Bonded Window, N-M Hinge, SS PL Latch | Dimensions | | | | | | | | | | | | Window | | Latch Spacing |
|---|----------------|-----------------|----------------|------------------|------------------|---------------|---------------|------------------|------------------|------------------|---------------|------------------|----------------|----------------|----------------|
| | E | F | I | J | K | L | M | N | O | P | Q | R | Ht | Wd | |
| RVJB1008NHWPL1 (mm) | 3.13 (79.5) | 4.01 (101.8) | 0.37 (9.5) | 10.75 (273.0) | 6.00 (152.5) | 0.31 (8.0) | 0.12 (3.0) | 11.50 (292.0) | 6.24 (158.5) | 8.25 (209.5) | 0.08 (2.0) | 6.63 (168.5) | 8.00 (203) | 6.00 (152) | Ctr - |
| RVJB1210NHWPL2 (mm) | 3.13 (79.5) | 4.13 (105.0) | 0.37 (9.5) | 12.76 (324.0) | 8.00 (203.2) | 0.31 (8.0) | 0.12 (3.0) | 13.50 (343.0) | 8.25 (209.5) | 10.26 (260.5) | 0.08 (2.0) | 6.79 (172.5) | 10.00 (254) | 8.00 (203) | 7.09 (180) |
| RVJB1412NHWPL2 (mm) | 3.25 (82.5) | 4.92 (125.0) | 0.50 (12.7) | 14.75 (374.6) | 10.00 (254.0) | 0.31 (8.0) | 0.12 (3.0) | 15.51 (394.0) | 10.24 (260.0) | 12.26 (311.5) | 0.08 (2.0) | 7.89 (200.5) | 12.00 (305) | 10.00 (254) | 9.56 (2.43) |
| RVJB1614NHWPL2 (mm) | 3.25 (82.5) | 5.01 (127.3) | 0.50 (12.7) | 16.75 (425.5) | 12.01 (305.0) | 0.31 (8.0) | 0.12 (3.0) | 17.52 (445.0) | 12.24 (311.0) | 14.25 (362.0) | 0.08 (2.0) | 7.89 (200.5) | 14.00 (356) | 12.00 (305) | 9.56 (243) |
| RVJB1816NHWPL2 (mm) | 3.23 (82.0) | 7.89 (200.3) | 0.50 (12.7) | 18.75 (476.2) | 12.01 (305.0) | 0.31 (8.0) | 0.12 (3.0) | 19.49 (495.0) | 14.25 (362.0) | 16.26 (413.0) | 0.08 (2.0) | 10.73 (272.5) | 16.00 (406) | 14.00 (356) | 14.75 (375) |

FRP NEMA 3, 3R, 4, 4X, 12 & 13 RVJB Series with Stainless Steel Twist Latch(s) and 2 Non-metallic Hinges. Raised Cover with Bonded Window on Cover



FEATURES

- All RVJB Series enclosures are designed to meet the Joint Industrial Council (JIC) standards in the United States.
- RVJB's are made from corrosion resistant hot compression molded fiberglass reinforced polyester with transparent lexana windows. These enclosures do not contain halogens.
- The RVJB Series "NHWLL" enclosures include one or two stainless steel twist latches to secure one side of the cover to the base with two non-metallic hinges that secures the other. Self-tapping screws connect the hinges to the cover and base.
- Four sizes are available from 10" x 8" to 16" x 14"
- Vynckier's RVJB enclosures are capable of withstanding continuous temperatures from -58°F (-50°C) up to 302°F (150°C).
- RVJB enclosures provide protection for equipment and operators from indirect electrical contact.

- All RVJB enclosures are UL listed per UL Standard 508 for NEMA 3, 3R, 4, 4X, 12 & 13; CSA Certified per Standard C22.2-0, 0.4, 0.7, 0.6, 94 Type 3, 3R, 4, 4X, 12 & 13.

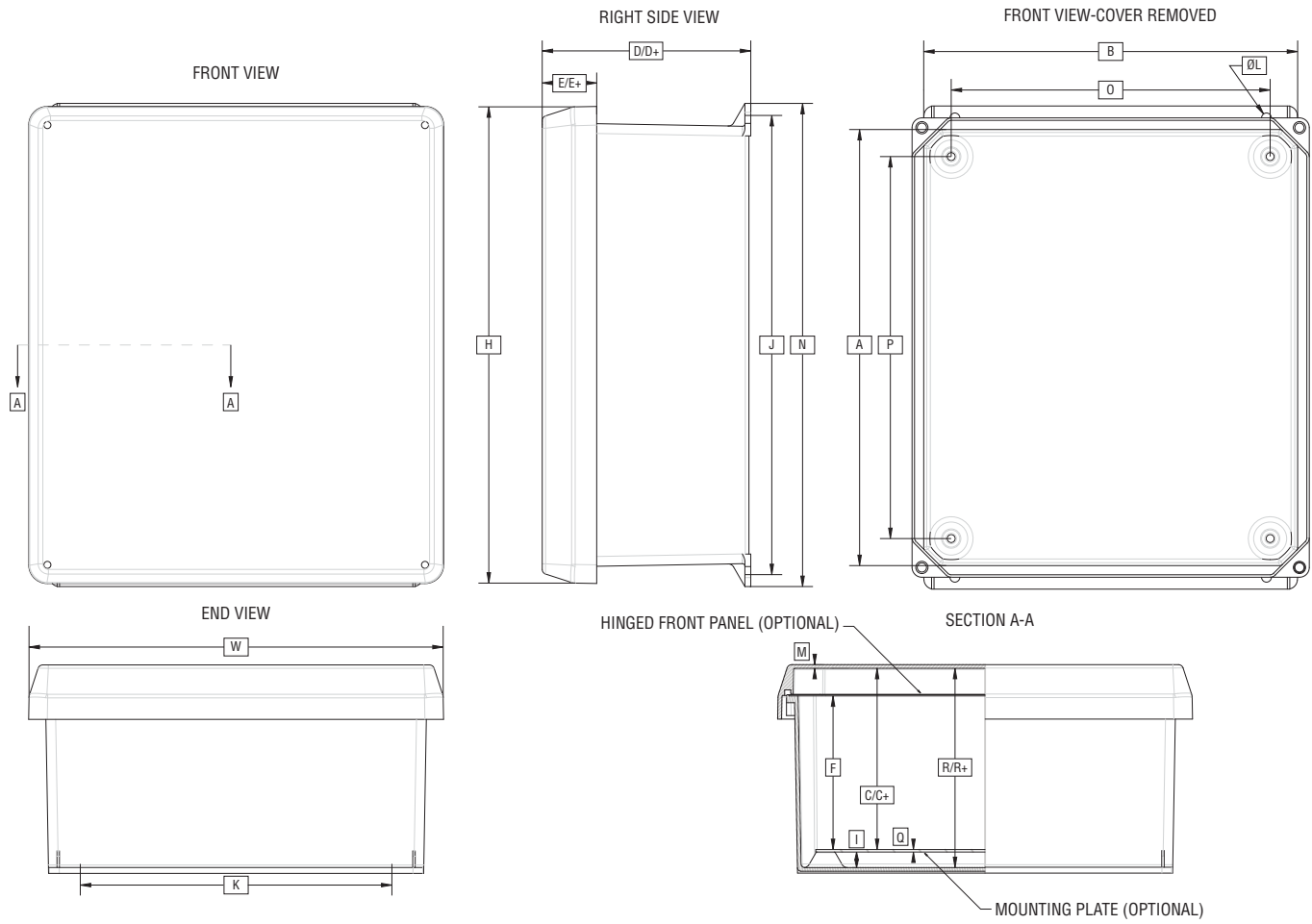
OPTIONAL ACCESSORIES

- Aluminum, Painted Steel or non-metallic Mounting Plates
- Aluminum Hinged Front Plates
- Aluminum Front Plates with quarter turn brackets
- MEDV Air Vents
- Backpanel stand-offs in four different lengths
- Non-Metallic Lift-off Hinges

| Raised Cvr, Bonded Window, N-M Hinge SS Twist Latch | Outside Dimension | | | Inside Dimension | | | Weight | Mounting Plates* | | | Front Panels | | |
|---|-------------------|------------------|------------------|------------------|------------------|------------------|--------------------|------------------|---------|--------------|------------------------------|----------|-----------|
| | H | W | D | A | B | C | | Aluminum | Steel | Non-Metallic | Dimensions | Plain | Hinged |
| RVJB1008NHWLL1 (mm) | 11.31 (287.4) | 9.31 (236.6) | 6.93 (176.0) | 10.00 (254.0) | 8.00 (203.2) | 6.18 (157.0) | 4.9 lb 2.2 kg | MP1008A | MP1008S | MP1008N | 8.75 x 6.88 (222 x 175) | VFP1008A | VFPH1008A |
| RVJB1210NHWLL2 (mm) | 13.31 (338.2) | 11.31 (287.4) | 7.09 (180.0) | 12.00 (304.8) | 10.00 (254.0) | 6.34 (161.0) | 6.5 lb 2.9 kg | MP1210A | MP1210S | MP1210N | 10.50 x 8.88 (267 x 226) | VFP1210A | VFPH1210A |
| RVJB1412NHWLL2 (mm) | 15.32 (389) | 13.30 (338) | 8.19 (208.0) | 14.00 (355.6) | 12.00 (304.8) | 7.31 (185.8) | 8.8 lb 4.0 kg | MP1412A | MP1412S | MP1412N | 12.75 x 10.88 (324 x 276) | VFP1412A | VFPH1412A |
| RVJB1614NHWLL2 (mm) | 17.31 (439.8) | 15.31 (389) | 8.19 (208.0) | 16.00 (406.4) | 14.00 (355.6) | 7.37 (185.8) | 10.8 lb 4.9 kg | MP1614A | MP1614S | MP1614N | 14.75 x 12.88 (375 x 327) | VFP1614A | VFPH1614A |
| RVJB1816NHWLL2 (mm) | 19.31 (490.6) | 17.31 (439.8) | 11.08 (280.9) | 18.00 (457.2) | 16.00 (406.4) | 10.23 (258.8) | 14.25 lb 6.5 kg | MP1816A | MP1816S | MP1816N | 16.75 x 14.88 (426 x 378) | VFP1816A | VFPH1816A |

- * A aluminum back panel (.080" material thickness)
 S painted steel back panel (.060" material thickness)
 N non-metallic back panel (.187" material thickness)

Consult factory for custom size bonded window



| Raised Cvr, Bonded Window, N-M Hinge SS Twist Latch | Dimensions | | | | | | | | | | | | Window Ht | Window Wd | Latch Spacing |
|---|----------------|-----------------|----------------|------------------|------------------|---------------|---------------|------------------|------------------|------------------|---------------|------------------|----------------|----------------|----------------|
| | E | F | I | J | K | L | M | N | O | P | Q | R | | | |
| RVJB1008NHWLL1 (mm) | 3.13 (79.5) | 4.01 (101.8) | 0.37 (9.5) | 10.75 (273.0) | 6.00 (152.5) | 0.31 (8.0) | 0.12 (3.0) | 11.50 (292.0) | 6.24 (158.5) | 8.25 (209.5) | 0.08 (2.0) | 6.63 (168.5) | 8.00 (203) | 6.00 (152) | Ctr - |
| RVJB1210NHWLL2 (mm) | 3.13 (79.5) | 4.13 (105.0) | 0.37 (9.5) | 12.76 (324.0) | 8.00 (203.2) | 0.31 (8.0) | 0.12 (3.0) | 13.50 (343.0) | 8.25 (209.5) | 10.26 (260.5) | 0.08 (2.0) | 6.79 (172.5) | 10.00 (254) | 8.00 (203) | 7.09 (180) |
| RVJB1412NHWLL2 (mm) | 3.25 (82.5) | 4.92 (125.0) | 0.50 (12.7) | 14.75 (374.6) | 10.00 (254.0) | 0.31 (8.0) | 0.12 (3.0) | 15.51 (394.0) | 10.24 (260.0) | 12.26 (311.5) | 0.08 (2.0) | 7.89 (200.5) | 12.00 (305) | 10.00 (254) | 9.56 (2.43) |
| RVJB1614NHWLL2 (mm) | 3.25 (82.5) | 5.01 (127.3) | 0.50 (12.7) | 16.75 (425.5) | 12.01 (305.0) | 0.31 (8.0) | 0.12 (3.0) | 17.52 (445.0) | 12.24 (311.0) | 14.25 (362.0) | 0.08 (2.0) | 7.89 (200.5) | 14.00 (356) | 12.00 (305) | 9.56 (243) |
| RVJB1816NHWLL2 (mm) | 3.23 (82.0) | 7.89 (200.3) | 0.50 (12.7) | 18.75 (476.2) | 12.01 (305.0) | 0.31 (8.0) | 0.12 (3.0) | 19.49 (495.0) | 14.25 (362.0) | 16.26 (413.0) | 0.08 (2.0) | 10.73 (272.5) | 16.00 (406) | 14.00 (356) | 14.75 (375) |

VJ ACCESSORIES

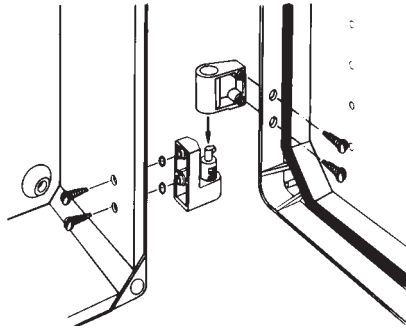
VJ SERIES

Hinges

- The VJ-Series non-metallic hinges allow the cover to open at an angle exceeding 180°.
- The cover can be lifted off and reinstalled without the use of a tool, which substantially reduces the operations within the cover. (Lift off optional upon request.)
- By simply adjusting one of the pivot parts, the cover becomes unremovable.

VJNMH

Set of 2 pieces



Surface-mounted windows (screw assembly)

SW97

NEMA 4X (UL listed if factory installed)
HxW: 10.31 x 8.31



SW84N

NEMA 4X IP67 with nameplate provided
(UL listed if factory installed)
H x W: 9.45 x 5.47



SW84X

NEMA 4X IP67 (UL listed if factory installed)
H x W: 8.54 x 5.47



Latches

VJLL KIT

Optional twist latch



VJPL KIT

Standard PL (316 stainless steel)



VJTPL KIT

Optional twist padlockable latch

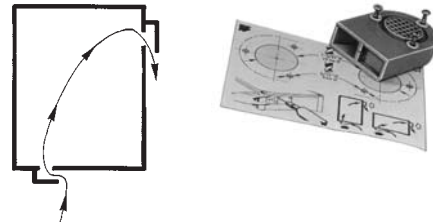


Air vents

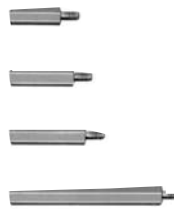
Two air vents must be mounted per enclosure to ensure sufficient air circulation and prevent condensation water. Complete with template and screws. The air vents are preferably mounted in the upper and lower part of the box.

10000.010 (MEDV)

Set of two pieces in polyamide per package. UL listed if factory installed.



Backpanel Stand-Offs



| PART NUMBER | LENGTH |
|-------------|--------|
| SO-05 | .5 |
| SO-10 | 1 |
| SO-20 | 2 |
| SO-35 | 3.5 |
| SO-40 | 4 |

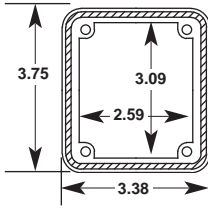
Aluminum with 10-32 thread to match back plate inserts and screws.

Quarter-turn Brackets

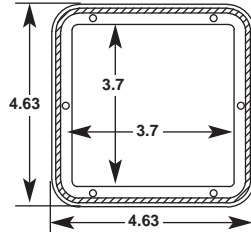
FP025

VJ ACCESSORIES

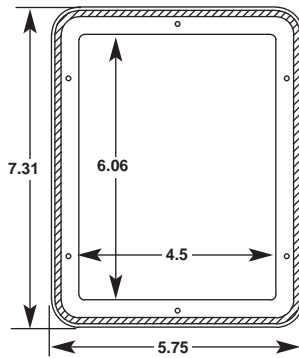
SW32



SW44

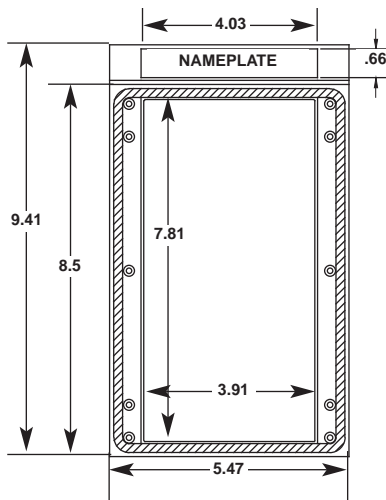


SW64



SW84*

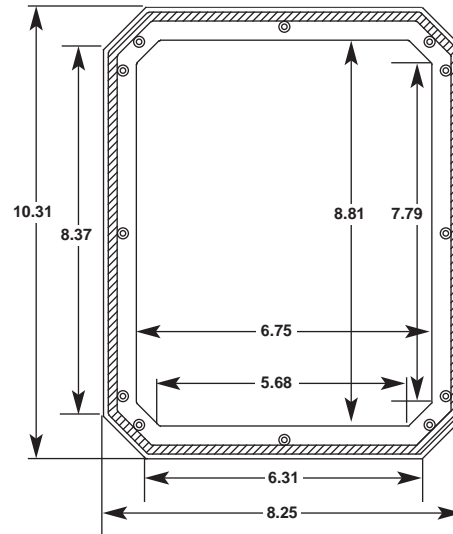
Available as SW84N (with provision for nameplate) or SW84X (without provision for nameplate)



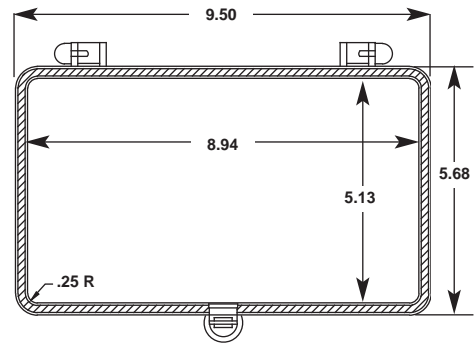
*Note UL listed for NEMA 4X

If factory installed in any enclosure 1" clearance on all four sides is required for installation

SW97*



95HCD



Molded Instrumentation Windows

SCREW ON WINDOWS, WATERTIGHT (POLYCARBONATE)

| Suffix Order Code | Nom. Size | Minimum Enclosure Size Vertical | Minimum Enclosure Size Horizontal |
|-------------------|-----------|---------------------------------|-----------------------------------|
| SW32 | 3 x 2 | VJ606 | VJ606 |
| SW44 | 4 x 4 | VJ606 | VJ606 |
| SW64 | 6 x 4 | VJ806 | VJ1008 |
| SW84+ | 8 x 4 | VJ806 | VJ1008 |
| SW97+ | 9 x 7 | VJ1008 | VJ1210 |

Inspection Type NEMA 12

| | | | |
|------|-------|-------|-------|
| 55SC | 5 x 5 | VJ806 | VJ806 |
|------|-------|-------|-------|

Hinged Cover Type NEMA, 3, 3R, 12

| | | | |
|-------|-------|--------|--------|
| 95HCD | 9 x 5 | VJ1210 | VJ1008 |
|-------|-------|--------|--------|

†UL listed if factory installed.

Template included.

PROJECTION ABOVE COVER

1. SW32 - .5"
2. SW44 - .3125"
3. SW64 - .3125"
4. SW84 - .25"
5. SW97 - .25"
6. 95 HCD - .52"

QUICK REFERENCE GUIDE

VJ Series

VJ SERIES

Basic Style

| Screw Cover | Stainless Steel Hinge with Screw Cover (HW) | Stainless Steel Hinge with Padlockable Latch (es) | Stainless Steel Hinge with Twist Latch(es) | Stainless Steel Hinge with Twist Padlockable Latch(es) |
|-----------------|---|---|--|--|
| VJ606W | VJ606HW | VJ606HWPL1 | VJ606HWLL1 | VJ606HWTP1 |
| VJ806W | VJ806HW | VJ806HWPL1 | VJ806HWLL1 | VJ806HWTP1 |
| VJ1008W | VJ1008HW | VJ1008HWPL1 | VJ1008HWLL1 | VJ1008HWTP1 |
| VJ1210W | VJ1210HW | VJ1210HWPL2 | VJ1210HWLL2 | VJ1210HWTP2 |
| VJ1412W | VJ1412HW | VJ1412HWPL2 | VJ1412HWLL2 | VJ1412HWTP2 |
| VJ1614W | VJ1614HW | VJ1614HWPL2 | VJ1614HWLL2 | VJ1614HWTP2 |
| VJ1816W | VJ1816HW | VJ1816HWPL2 | VJ1816HWLL2 | VJ1816HWTP2 |
| Lift-off Hinges | Non-metallic Hinges with Screw Cover | Non-metallic Hinges with Padlockable Latch(es) | Non-metallic Hinges with Twist Latch(es) | Non-metallic Hinges with Twist Padlockable Latch(es) |
| VJ606LNMH | VJ606NHW | VJ606NHWPL1 | VJ606NHWLL1 | VJ606NHWTP1 |
| VJ806LNMH | VJ806NHW | VJ806NHWPL1 | VJ806NHWLL1 | VJ806NHWTP1 |
| VJ1008LNMH | VJ1008NHW | VJ1008NHWPL1 | VJ1008NHWLL1 | VJ1008NHWTP1 |
| VJ1210LNMH | VJ1210NHW | VJ1210NHWPL2 | VJ1210NHWLL2 | VJ1210NHWTP2 |
| VJ1412LNMH | VJ1412NHW | VJ1412NHWPL2 | VJ1412NHWLL2 | VJ1412NHWTP2 |
| VJ1614LNMH | VJ1614NHW | VJ1614NHWPL2 | VJ1614NHWLL2 | VJ1614NHWTP2 |
| VJ1816LNMH | VJ1816NHW | VJ1816NHWPL2 | VJ1816NHWLL2 | VJ1816NHWTP2 |

RVJ Style

| Screw Cover | Stainless Steel Hinge with Screw Cover (HW) | Stainless Steel Hinge with Padlockable Latch (es) | Stainless Steel Hinge with Twist Latch(es) | Stainless Steel Hinge with Twist Padlockable Latch(es) |
|--------------------------------------|--|---|--|--|
| RVJ1008W | RVJ1008HW | RVJ1008HWPL1 | RVJ1008HWLL1 | RVJ1008HWTP1 |
| RVJ1210W | RVJ1210HW | RVJ1210HWPL2 | RVJ1210HWLL2 | RVJ1210HWTP2 |
| RVJ1412W | RVJ1412HW | RVJ1412HWPL2 | RVJ1412HWLL2 | RVJ1412HWTP2 |
| RVJ1614W | RVJ1614HW | RVJ1614HWPL2 | RVJ1614HWLL2 | RVJ1614HWTP2 |
| RVJ1816W | RVJ1816HW | RVJ1816HWPL2 | RVJ1816HWLL2 | RVJ1816HWTP2 |
| Non-metallic Hinges with Screw Cover | Non-metallic Hinges with Padlockable Latch(es) | Non-metallic Hinges with Twist Latch(es) | Non-metallic Hinges with Twist Padlockable Latch(es) | Non-metallic Lift-off Hinges |
| RVJ1008NHW | RVJ1008NHWPL1 | RVJ1008NHWLL1 | RVJ1008NHWTP1 | RVJ1008LNMH |
| RVJ1210NHW | RVJ1210NHWPL2 | RVJ1210NHWLL2 | RVJ1210NHWTP2 | RVJ1210LNMH |
| RVJ1412NHW | RVJ1412NHWPL2 | RVJ1412NHWLL2 | RVJ1412NHWTP2 | RVJ1412LNMH |
| RVJ1614NHW | RVJ1614NHWPL2 | RVJ1614NHWLL2 | RVJ1614NHWTP2 | RVJ1614LNMH |
| RVJ1816NHW | RVJ1816NHWPL2 | RVJ1816NHWLL2 | RVJ1816NHWTP2 | RVJ1816LNMH |