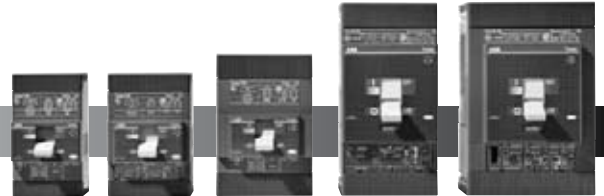




16 - Tmax molded case circuit breakers



Tmax MCCBs16.1 - 16.88

Selection

ABB Tmax versions.....	16.10
Catalog number explanation.....	16.40
Derived versions.....	16.10
Enclosures, Type 1 & 3R/12.....	16.70 - 16.71
Frame sizes — Nine basic sizes.....	16.10
Introduction.....	16.10
Selection guide, T1 - T8.....	16.2 - 16.3
T1, 100A.....	16.5 - 16.6
T2, 100A.....	16.7 - 16.9
T3, 225A.....	16.11 - 16.12
Ts3, 150A.....	16.13 - 16.16
T4, 250A.....	16.17 - 16.22
T5, 400/600A.....	16.23 - 16.27
T6, 600A.....	16.28 - 16.30
T7, 1000A.....	16.31 - 16.34
T7M, 1000A, 1200A.....	16.35 - 16.44
T8, 1600/2000/2500/3000A.....	16.46 - 16.56

Accessories

Motor operators, T1 - T7.....	16.60
Shunt trips.....	16.62
T1 - T7.....	16.68 - 16.69
Electrical, T1 - T7.....	16.57 - 16.59
Mechanical, T1 - T7.....	16.64 - 16.67
Electrical, T7M.....	16.42
Mechanical, T7M.....	16.43 - 16.44
Electrical, T8.....	16.53 - 16.54
Mechanical, T8.....	16.55
Trip units, T4 - T7.....	16.61

Dimensions

T1 - T3, Variable depth mechanism with OHB handle.....	16.79
T1 & T2.....	16.72
T3.....	16.73
Ts3.....	16.74
Ts3, Variable depth mechanism with OHB handle.....	16.80
T4.....	16.75
T4 - T5, Variable depth mechanism with OHB handle.....	16.81
T5.....	16.76
T6.....	16.77
T6, Variable depth mechanism.....	16.82
T7.....	16.78
T7, Variable depth mechanism.....	16.83
T7M, Fixed, 3 pole, front terminals.....	16.84
T8, Fixed 3 pole, front terminals.....	16.85
T8, Fixed, vertical rear terminals, 100% rated.....	16.86
T8, Fixed, vertical rear terminals, 1600A/2000A/2500A.....	16.87

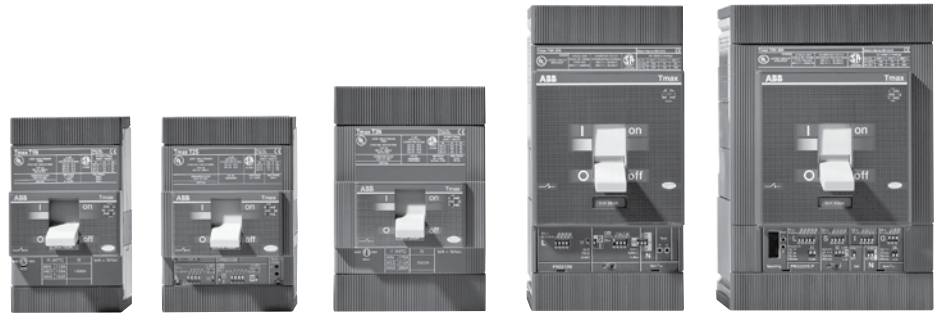
Technical data

Electrical operators, T1 - T6.....	16.63
T7/T7M.....	16.45
T8.....	16.56
Undervoltages, T1 - T7.....	16.62

Tmax Molded case circuit breakers



Tmax Molded case circuit breakers



Introduction

ABB is once again demonstrating its commitment to new product development and its superiority in product technology. Never before has the industry seen such high performance, versatility and standardization in a range of molded case circuit breakers.

The ABB Tmax line of circuit breakers, with a range up to 3000A, has several key features that go along with its very small size:

- Double insulation – this construction characteristic allows for the UL Listed field installation of internal accessories without exposure to energized parts.
- Complete range of electrical and mechanical accessories
- Positive operation – breakers from ABB ensure that the toggle indicates the precise position of the moving contacts. This guarantees safe and reliable signaling by the device.
- Installation – Tmax molded case circuit breakers can be installed in panels and switchboards in either the horizontal or vertical planes while being fed from either end without any derating of their performance characteristics.
- Interrupting ratings at 480VAC up to 150kAIC.
- Compact size
- All Tmax molded case circuit breakers are UL Listed and IEC rated for global application and acceptance.
- All versions of the Tmax family are suitable for reverse feed applications.

The ABB Tmax product line has the performance and accessories to satisfy all industry requirements in the 600VAC to 600VDC ranges.

Frame sizes – Nine basic sizes

The ABB Tmax series includes nine basic frame sizes as well as the T1 single pole with the range rated from 15A to 3000A at 480VAC. The various versions carry the following interrupting capacities:

- **B** Basic breaking capacity
- **N** Normal breaking capacity
- **S** Standard breaking capacity
- **H** High breaking capacity
- **L** Extra high breaking capacity
- **V** Very high breaking capacity

Derived versions

- Thermal magnetic
- Electronic
- Molded case switches
- Motor circuit protectors (MCPs)
- Direct current (DC) rated

ABB Tmax versions

- Fixed: all models
- Drawout or plug-in: T2, T3, Ts3, T4, T5, T6, T7 & T7M
- UL File #E93565 (breakers and MCPs)
#E116596 (Accessories)
#E116595 (Molded case switches)

Selection Guide

Circuit breakers for power distribution

T1 – Ts3



T1 1P



T1



T2



T3



Ts3

Type		Tmax T1 1p	Tmax T1	Tmax T2		Tmax T3		Tmax Ts3			Tmax Ts3				
Frame size	[A]	100	100	100		225		150			225				
Number of poles	[Nr]	1	3-4	3-4		3-4		2-3-4			2-3-4				
Rated voltage	AC (50-60Hz)	[V]	347	600Y/347		480		600Y/347		600			480		
	DC	[V]		500				500		600			500		
Interrupting ratings			B	N		S H		N S		N H L			N H L		
	240V AC	[kA rms]		50 ②		65 150		50 65		65 100 150			65 100 150		
	277V AC	[kA rms]	18 ①												
	347V AC	[kA rms]	14 ①												
	480V AC	[kA rms]		22 ②		35 65		25 35		25 50 85 ⑤			25 50 65		
	600Y/347V AC	[kA rms]		10				10 10							
	600V AC	[kA rms]								14 14 25					
	250V DC (2 poles in series)	[kA rms]		25				25 35							
500V DC (3 poles in series)	[kA rms]		25				25 35								
500V DC (2 poles in series)	[kA rms]								35 50 65			20 35 50			
600V DC (3 poles in series)	[kA rms]								20 35 50						
Trip units	TMF		■	■		■		■		■			■		
	TMD/TMA														
	ELT					■									
	MA					■		■		■			■		
	Electronic					■									
Dimensions	H	[in/mm]	5.12/130	5.12/130		5.12/130		5.9/150		6.7/170			6.7/170		
	W 3p	[in/mm]	1/25.4	3/76		3.54/90		4.13/105		4.13/105			4.13/105		
	D	[in/mm]	2.76/70	2.76/70		2.76/70		2.76/70		4.07/103.5			4.07/103.5		
Mechanical life	[No. operations]	25000	25000		25000		25000		25000			25000			

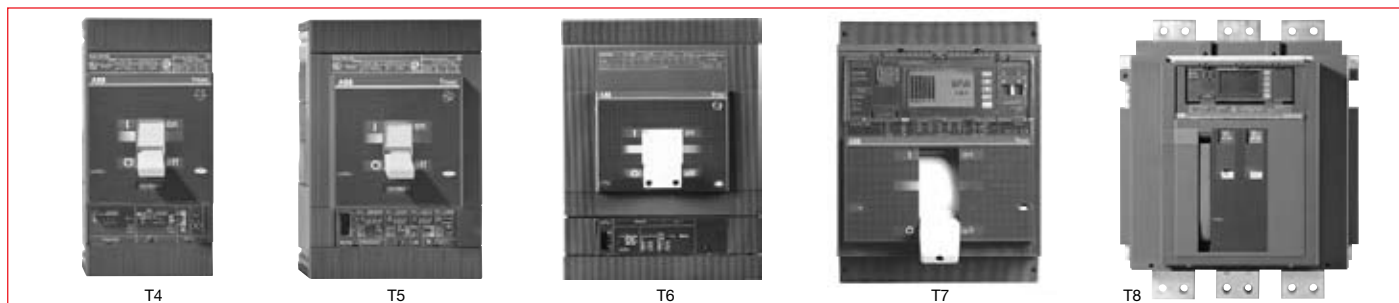
① In15A = 10kA@277VAC 10kA@347VAC
 ② In15A = 35kA@240VAC 14kA@480Y/277 VAC
 ③ T5 600 with electronic trip units only and in three pole version
 ④ 2p breakers: available only in N interrupting rating
 ⑤ In from 15A up to 30A=65kA@480V AC

Selection Guide

Circuit breakers for power distribution

T4 – T8

Tmax
MCCBs



Type		Tmax T4	Tmax T5	Tmax T6	Tmax T7/T7M	Tmax T8	
Frame size	[A]	250	400-600 ③	800	1000-1200	1600, 2000, 2500 & 3000	
Number of poles	[Nr]	2-3-4 ④	2-3-4 ④	3-4	3-4	3-4	
Rated voltage	AC (50-60Hz)	[V]	600	600	600	600	
	DC	[V]	600	600	600	600	
Interrupting ratings		N S H L V	N S H L V	N S H L	S H L	V	
	240V AC	[kA rms]	65 100 150 200 200	65 100 150 200 200	65 100 200 200	65 100 150	125
	277V AC	[kA rms]					
	347V AC	[kA rms]					
	480V AC	[kA rms]	25 35 65 100 150	25 35 65 100 150	35 50 65 100	50 65 100	125
	600Y/347V AC	[kA rms]					
	600V AC	[kA rms]	18 25 35 65 100	18 25 35 65 100	20 25 35 42	25 50 65	100
	250V DC (2 poles in series)	[kA rms]					
500V DC (3 poles in series)	[kA rms]						
500V DC (2 poles in series)	[kA rms]	25 35 50 65 100	25 35 50 65 100	35 35 50 65			
600V DC (3 poles in series)	[kA rms]	16 25 35 50 65	16 25 35 50 65	20 20 35 50			
Trip units	TMF	■					
	TMD/TMA	■	■	■			
	ELT						
	MA						
	Electronic	■	■	■	■		
Dimensions	H	[in/mm]	8.07/205	8.07/205	10.55/268	10.55/268	
	W 3p	[in/mm]	4.13/105	5.51/140	8.26/210	8.26/210	
	D	[in/mm]	4.07/103.5	4.07/103.5	4.07/103.5	6.06/154 (toggle) 7/178 (motor)	11.2 / 282
Mechanical life	[No. operations]	20,000	20,000	20,000	10,000	15,000	

① In15A = 10kA@277 VAC 10kA@347 VAC
 ② In15A = 35kA@240 VAC 14kA@480Y/277 VAC
 ③ T5 600 with electronic trip units only and in three pole version-
 ④ 2p T4N250 and T5N400 available only in N interrupting capacity.
 ⑤ In from 15A up to 30A=65kA@480 VAC
 ⑥ Applies to MCS only.

General information

Catalog number explanation

T3 S 080 T W - 4 xxx

● **Accessories (added in alpha-numeric order) ①**

- A** = Auxiliary Switch
- S_** = Shunt trip with voltage code
- U_** = Undervoltage release with voltage code

● **Number of poles**

- 1 = 1 pole (T1 only)
- 2 = 2 pole
- 4 = 4 pole
- None** = 3 pole

● **Type connectors**

- W** = None
- L** = Lugs included

● **Trip unit function**

- B** = LS/I (AC only)
- D** = Molded Case Switch (MCS)
- T** = Thermal-magnetic
- M** = Magnetic only (MCP)
- E5** = Electronic MCP (AC only)
- C** = LSI (AC only)
- E** = LSIG (AC only)

● **Current rating**

- 015** = 15A
- 080** = 80A
- 100** = 100A
- 225** = 225A
- 250** = 250A
- 400** = 400A
- 600** = 600A
- 800** = 800A
- 1200** = 1200A

● **Interrupting rating class**

- B** = Basic
- N** = Normal
- S** = Standard
- H** = High
- L** = Extra High
- V** = Very high

● **Frame size**

- T1** = 100A
- T2** = 100A
- T3** = 225A
- Ts3** = 225A
- T4** = 250A
- T5** = 400A, 600A
- T6** = 600A, 800A
- T7** = 1000A, 1200A (toggle)



① Consult ABB for factory installed accessories.

T1

100A, 600Y/347V, 480V Δ

Thermal-magnetic

Tmax
MCCBs



Dimensions 3P Fixed Version 5.12H x 3.00W x 2.76D
Weight 2.34 (lbs)

General

The T1 breaker family ranges from 15 through 100 amperes. The T1 trip units are non-interchangeable and use the very latest technology in electromagnetic relays for overcurrent trip protection. Thermal overload protection is provided by heat sensitive bimetals. Short circuit protection for the breaker is accomplished using a precise magnetic coil. State of the art construction in contacts and arcing chambers aid in limiting damaging fault currents through the protected circuits.

Standards

The UL489/CSA 22.2 version of T1 also carries an IEC-60947-2 rating.

Versions

The T1 frame is available in two versions:

- T = Thermal-magnetic, fixed
- D = Molded case switch

Performance levels

The T1 breaker has two performance levels available:

- B = Basic single pole
- N = Normal three pole

Number of poles

The T1 molded case circuit breaker is available in single, three and four pole versions. Estimate 4 pole pricing by adding 35% to the 3 pole price and contact your ABB sales person for details.

Molded case switches

UL489 switches include no overcurrent protection except for a high instantaneous trip mechanism for self protection.

UL489 / CSA C22.2 Interrupting capacity (kA RMS)

Voltage	Continuous rating	B (1 pole)	N
240VAC	15 – 100A	—	50 ①
347VAC	15A 20 – 100A	10 14	— —
480VAC Δ	15A ② 20 – 100A	— —	14 22
600Y/347VAC	15 – 100A	—	10
250VDC 2 pole series	15 – 100A	—	25
500VDC 3 pole series	15 – 100A	—	25

IEC 60947-2 Interrupting capacity (kA RMS)

Voltage	Continuous rating	B (1 pole)	N
230VAC	15 – 100A	25 ③	50
415VAC	15 – 100A	—	36
690VAC	15 – 100A	—	6
500VDC 2 pole series	15 – 100A	—	36

① In 15A 35kA @ 240VAC.
 ② 15A available in 480Y/277 VAC only.
 ③ Interrupting capacity for 16-20A is 16kA

T1

100A, 600Y/347V, 480V Δ

Thermal-magnetic/Molded Case Switch

T1B TMF — Single pole thermal magnetic fixed ①

Breaker	IC at 277VAC	Rating	Magnetic trip	1 pole, 277VAC catalog number	List price	
T1B	10kA	15A	1000A	T1B015TL-1	\$ 230	
		20A	1000A	T1B020TL-1		
	18kA	25A	1000A	T1B025TL-1		
		30A	1000A	T1B030TL-1		
		40A	1000A	T1B040TL-1		
		50A	1500A	T1B050TL-1		
		60A	1500A	T1B060TL-1		
		70A	1500A	T1B070TL-1		262
		80A	1500A	T1B080TL-1		
		90A	1500A	T1B090TL-1		
100A	1500A	T1B100TL-1				

T1N TMF — 3 pole thermal magnetic fixed

Breaker	IC at 480VAC	Rating	Magnetic trip	3 pole, 600Y/347VAC/500VDC catalog number	List price	
T1N	14kA	15A	1000A	T1N015TL ②	\$ 402	
		20A	1000A	T1N020TL		
	22kA	25A	1000A	T1N025TL		
		30A	1000A	T1N030TL		
		40A	1000A	T1N040TL		
		50A	1500A	T1N050TL		
		60A	1500A	T1N060TL		
		70A	1500A	T1N070TL		479
		80A	1500A	T1N080TL		
		90A	1500A	T1N090TL		
100A	1500A	T1N100TL				

T1N TMF — 100% Rated thermal-magnetic

Breaker	IC at 480VAC	Rating	Magnetic trip	3 pole 600Y/347 500VDC catalog number	List price	
T1N	14kA	15 ①	1000A	T1NQ015TL	\$ 442	
		20	1000A	T1NQ020TL		
	22kA	25	1000A	T1NQ025TL		
		30	1000A	T1NQ030TL		
		40	1000A	T1NQ040TL		
		50	1500A	T1NQ050TL		
		60	1500A	T1NQ060TL		
		70	1500A	T1NQ070TL		527
		80	1500A	T1NQ080TL		
		90	1500A	T1NQ090TL		
100	1500A	T1NQ100TL				

T1N-D — Molded case switch

Breaker	Interrupting capacity ③	Rating	Magnetic trip	480VAC/500VDC catalog number	List price
T1-D	240V, 50kA	100A	1000A	T1N100DL	\$ 431

① Electrical/mechanical accessories cannot be installed on single pole breakers.

② Rated 480Y/277 VAC for 15A.

③ When protected by a OCPD with appropriate ratings.

T2

100A, 480V Δ

Thermal-magnetic/electronic/current limiting



T2

Dimensions 3P Fixed Version 5.12H x 3.54W x 2.76D

Weight 2.84 (lbs)

General

The T2 breaker family ranges from 15 through 100 amperes. The T2 trip units are non-interchangeable and use the very latest technology in electromagnetic relays for overcurrent trip protection as well as a version with microprocessor-based electronic trip unit. Thermal overload protection is provided by heat sensitive bimetals. State of the art construction in contacts and arcing chambers aid in limiting damaging fault currents through the protected circuits.

Standards

The UL489/CSA 22.2 version of T2 also carries an IEC-60947-2 rating.

Versions

The T2 frame is available in four versions:

- T = Thermal-magnetic, fixed
- B = Adjustable LS/I electronic
- M = Magnetic only (MCP)
- E5 = Electronic instantaneous only (MCP)

Trip functions

These tripping functions are available:

- L = Long time
- S = Short time
- I = Instantaneous

Performance levels

The T2 breaker has two performance levels available:

- S = Standard
- H = High - UL Current Limiting

Number of poles

The T2 is available in three and four pole versions. Estimate 4 pole pricing by adding 35% to the 3 pole price and contact your ABB sales person for details.

UL489 / CSA C22.2 Interrupting capacity (kA RMS)

Voltage	Continuous rating	S	H
240VAC	15 – 100A	65	150
480VAC Δ	15 – 100A	35	65

IEC 60947-2 Interrupting capacity (kA RMS)

Voltage	Continuous rating	S	H
230VAC	15 – 100A	85	100
415VAC	15 – 100A	50	70
690VAC	15 – 100A	7	8
500VDC 2 pole series	15 – 100A	50	70

T2

100A, 480V Δ

Thermal-magnetic/current limiting

T2 – 100A TMF thermal magnetic fixed

Breaker	IC at 480VAC	Rating	Magnetic trip	3 pole, 480VAC catalog number	List price
T2S	35kA	15A	500A	T2S015TW	\$ 690
		20A	500A	T2S020TW	
		25A	500A	T2S025TW	
		30A	500A	T2S030TW	
		40A	500A	T2S040TW	
		50A	500A	T2S050TW	
		60A	600A	T2S060TW	
		70A	700A	T2S070TW	793
		80A	800A	T2S080TW	
		90A	900A	T2S090TW	
		100A	1000A	T2S100TW	

Breaker	IC at 480VAC	Rating	Magnetic trip	3 pole, 480VAC catalog number	List price
T2H UL Current Limiting	65kA	15A	500A	T2H015TW	\$ 942
		20A	500A	T2H020TW	
		25A	500A	T2H025TW	
		30A	500A	T2H030TW	
		40A	500A	T2H040TW	
		50A	500A	T2H050TW	
		60A	600A	T2H060TW	
		70A	700A	T2H070TW	1,153
		80A	800A	T2H080TW	
		90A	900A	T2H090TW	
		100A	1000A	T2H100TW	

T2 – 100A TMF, 100% rated thermal magnetic fixed

Breaker	IC at 480VAC	Rating	Magnetic trip	3 pole, 480VAC catalog number	List price
T2S	35kA	15A	500A	T2SQ015TW	\$ 760
		20A	500A	T2SQ020TW	
		25A	500A	T2SQ025TW	
		30A	500A	T2SQ030TW	
		40A	500A	T2SQ040TW	
		50A	500A	T2SQ050TW	
		60A	600A	T2SQ060TW	
		70A	700A	T2SQ070TW	872
		80A	800A	T2SQ080TW	
		90A	900A	T2SQ090TW	
		100A	1000A	T2SQ100TW	

16

Breaker	IC at 480VAC	Rating	Magnetic trip	3 pole, 480VAC catalog number	List price
T2H UL Current Limiting	65kA	15A	500A	T2HQ015TW	\$ 1,025
		20A	500A	T2HQ020TW	
		25A	500A	T2HQ025TW	
		30A	500A	T2HQ030TW	
		40A	500A	T2HQ040TW	
		50A	500A	T2HQ050TW	
		60A	600A	T2HQ060TW	
		70A	700A	T2HQ070TW	1,268
		80A	800A	T2HQ080TW	
		90A	900A	T2HQ090TW	
		100A	1000A	T2HQ100TW	

NOTE: See pages 16.57 - 16.70 for electrical/mechanical accessories.

T2

100A, 480V Δ, 100% rated

Electronic/Current limiting/MCP



T2 – 100A Frame, electronic trip unit (AC only)

Breaker	IC at 480VAC	Trip unit type	CT rating	3 pole, 480VAC catalog number	List price
T2S	35kA	PR221DS-LS/I	25A	T2S025BW	\$ 1,240
			60A	T2S060BW	1,240
			100A	T2S100BW	1,343
T2H UL Current Limiting	65kA	PR221DS-LS/I	25A	T2H025BW	1,492
			60A	T2H060BW	1,492
			100A	T2H100BW	1,703

T2 – 100A Frame 100% rated, electronic trip unit (AC only)

Breaker	IC at 480VAC	Trip unit type	CT rating	3 pole, 480VAC catalog number	List price
T2S	35kA	PR221DS-LS/I	25A	T2SQ025BW	\$ 1,363
			60A	T2SQ060BW	
			100A	T2SQ100BW	1,477
T2H UL Current Limiting	65kA	PR221DS-LS/I	25A	T2HQ025BW	1,640
			60A	T2HQ060BW	
			100A	T2HQ100BW	1,873

T2 – 100A Frame, instantaneous only (MCP)

Breaker	IC at 480VAC	Trip unit type	Rating	Adjustment range	3 pole, 480VAC catalog number	List price
T2S	35kA	Mag only	20A	120 - 240	T2S020MW	\$ 598
			50A	300 - 600	T2S050MW	670
			100A	600 - 1200	T2S100MW	804
T2H	65kA	Mag only	20A	120 - 240	T2H020MW	673
			50A	300 - 600	T2H050MW	754
			100A	600 - 1200	T2H100MW	904

T2 – 100A Frame, instantaneous only, electronic (MCP - AC only)

Breaker	IC at 480VAC	Trip unit type	Rating	Adjustment range	3 pole, 480VAC catalog number	List price
T2S	35kA	Instantaneous only	25A	25 - 250	T2S025E5W	\$ 1,178
			60A	60 - 600	T2S060E5W	1,178
			100A	100 - 1000	T2S100E5W	1,276
T2H	65kA	Instantaneous only	25A	25 - 250	T2H025E5W	1,417
			60A	60 - 600	T2H060E5W	1,417
			100A	100 - 1000	T2H100E5W	1,618

NOTE: See pages 16.57 - 16.70 for electrical/mechanical accessories.

T3

225A, 600Y/347V, 480V Δ

Thermal-magnetic



T3

Dimensions 3P Fixed Version 5.9H x 4.13W x 2.76D

Weight 5.45 (lbs)

General

The T3 breaker family ranges from 60 through 225 amperes. The T3 trip units are non-interchangeable and use the very latest technology in electromagnetic relays for overcurrent trip protection. Thermal overload protection is provided by heat sensitive bimetals. Short circuit protection begins at 10 times the thermal rating of the breaker using a precise magnetic coil. State of the art construction in contacts and arcing chambers aid in limiting damaging fault currents through the protected circuits.

Standards

The UL489/CSA 22.2 version of T3 also carries an IEC-60947-2 rating.

Versions

The T3 frame is available in three versions:

- T = Thermal-magnetic, fixed
- M = Magnetic only (MCP)
- D = Molded case switch

Performance levels

The T3 breaker has two performance levels available:

- N = Normal
- S = Standard

Number of poles

The T3 molded case circuit breaker is available in three and four pole versions. Estimate 4 pole pricing by adding 35% to the 3 pole price and contact your ABB sales person for details.

UL489 / CSA C22.2 Interrupting capacity (kA RMS)

Voltage	Continuous rating	N	S
240VAC	60 – 225A	50	65
480VAC Δ	60 – 225A	25	35
600Y/347VAC	60 – 225A	10	10
250VDC 2 pole series	60 – 225A	25	35
500VDC 3 pole series	60 – 225A	25	35

IEC 60947-2 Interrupting capacity (kA RMS)

Voltage	Continuous rating	N	S
230VAC	60 – 225A	50	85
415VAC	60 – 225A	36	50
690VAC	60 – 225A	5	8
750VDC 3 pole series	60 – 225A	36	50

Molded case switches

UL489 switches include no overcurrent protection except for a high instantaneous trip mechanism for self protection.

T3

225A, 600Y/347V, 480V Δ

Thermal-magnetic

Tmax
MCCBs

T3 – 225A Frame TMF, thermal magnetic fixed

Breaker	IC at 480VAC	Rating	Magnetic trip	3 pole, 480VAC/500VDC catalog number	List price
T3N	25kA	60A	600A	T3N060TW	\$ 615
		70A	700A	T3N070TW	740
		80A	800A	T3N080TW	
		90A	900A	T3N090TW	
		100A	1000A	T3N100TW	
		125A	1250A	T3N125TW	1,560
		150A	1500A	T3N150TW	
		175A	1750A	T3N175TW	
		200A	2000A	T3N200TW	1,560
		225A	2250A	T3N225TW	

Breaker	IC at 480VAC	Rating	Magnetic trip	3 pole, 480VAC/500VDC catalog number	List price
T3S	35kA	60A	600A	T3S060TW	\$ 790
		70A	700A	T3S070TW	970
		80A	800A	T3S080TW	
		90A	900A	T3S090TW	
		100A	1000A	T3S100TW	
		125A	1250A	T3S125TW	2,160
		150A	1500A	T3S150TW	
		175A	1750A	T3S175TW	
		200A	2000A	T3S200TW	2,160
		225A	2250A	T3S225TW	

T3 – 225A Frame TMF, 100% rated thermal magnetic fixed

Breaker	IC at 480VAC	Rating	Magnetic trip	3 pole, 600/347V VAC/500VDC catalog number	List price
T3N	25kA	60A	600A	T3NQ060TW	\$ 656
		70A	700A	T3NQ070TW	812
		80A	800A	T3NQ080TW	
		90A	900A	T3NQ090TW	
		100A	1000A	T3NQ100TW	
		125A	1250A	T3NQ125TW	1,717
		150A	1500A	T3NQ150TW	
		175A	1750A	T3NQ175TW	
		200A	2000A	T3NQ200TW	1,717
		225A	2250A	T3NQ225TW	

Breaker	IC at 480VAC	Rating	Magnetic trip	3 pole, 600/347V VAC/500VDC catalog number	List price
T3S	35kA	60A	600A	T3SQ060TW	\$ 778
		70A	700A	T3SQ070TW	1,065
		80A	800A	T3SQ080TW	
		90A	900A	T3SQ090TW	
		100A	1000A	T3SQ100TW	
		125A	1250A	T3SQ125TW	2,399
		150A	1500A	T3SQ150TW	
		175A	1750A	T3SQ175TW	
		200A	2000A	T3SQ200TW	2,399
		225A	2250A	T3SQ225TW	

NOTE: See pages 16.57 - 16.70 for electrical/mechanical accessories.

T3

225A, 600Y/347V, 480V Δ
MCP/Molded case switch

T3 – 225A Frame instantaneous only, (MCP)

Breaker	IC at 480VAC	Trip unit type	Rating	Adjustment range	3 pole, 480VAC catalog number	List price
T3S	35kA	Mag only	100A	600 – 1200	T3S100MW	\$ 1,074
			125A	750 - 1500	T3S125MW	1,108
			150A	900 - 1800	T3S150MW	1,299
			200A	1200 - 2400	T3S200MW	1,382

T3S-D – Molded case switch

Breaker	Interrupting ^① capacity	Rating	Magnetic trip	3 pole, 480VAC/500VDC catalog number	List price
T3S-D	240V, 65kA 480V, 35kA	150A	1500A	T3S150DW	\$ 1,078
		225A	2250A	T3S225DW	1,515

NOTE: See pages 16.57 - 16.70 for electrical/mechanical accessories.

① When protected by a OCPD with appropriate ratings.

Ts3

150A, 600V Δ, 225A, 480V Δ

Thermal magnetic



Dimensions 3P Fixed Version 6.7H x 4.13W x 4.07D
Weight 6.75 (lbs)

General

The Ts3 breaker family ranges from 15 through 225 amperes. The Ts3 trip mechanisms are non-interchangeable and use sensitive electromagnetic relays for overcurrent trip protection. Heat sensitive bimetals are used for thermal overcurrent protection. Short circuit current protection begins at 10 times the thermal rating of the breaker and uses a magnetic coil principle.

Standards

The UL489/CSA 22.2 version of Ts3 also carries an IEC-60947-2 rating.

Versions

To meet all application needs, the Ts3 is available in various versions:

- T = Thermal-magnetic
- D = Molded case switch
- M = Magnetic only (MCP)

Performance level

Each version is also available in different maximum fault interrupting levels

- N = Normal
- H = High
- L = Extra high

Number of poles

The Ts3 is available in two, three and four pole versions. Estimate 4 pole pricing by adding 35% to the 3 pole price and contact your ABB sales person for details.

Molded case switches

UL489 switches include no overcurrent protection except for a high instantaneous trip mechanism for self protection.

UL/CSA Interrupting capacity (kA RMS) UL489 / CSA C22.2

Voltage	N	H	L
150AF, 15A-150A			
240 VAC	65	100	150
480 VAC	25	50	85 [Ⓞ]
600 VAC	14	14	25
500 VDC	35	50	65
600 VDC	20	35	50
225AF, 175A-225A			
240 VAC	65	100	150
480 VAC	25	50	65
600 VAC	–	–	–
500 VDC	20	35	50
600 VDC	–	–	–

IEC-60947-2 Interrupting capacity (kA RMS)

Voltage	N	H	L
230 VAC	65	100	170
415 VAC	35	65	85
690 VAC	14	18	20
750 VDC ^②	20	35	50

Ⓞ 15-30A are 65kA at 480VAC

Ts3

150A, 600V Δ, 225A, 480V Δ
Thermal magnetic

Ts3
150A 600VAC/225A 480VAC
Thermal Magnetic Trip Units

Breaker	IC at 480VAC kA	Rating	Magnetic trip	2 pole, 600VAC/500VDC catalog number	List price	3 pole, 600VAC/DC catalog number	List price
Ts3N	25	15A	500A	Ts3N015TW-2	\$ 814	Ts3N015TW	\$ 958
		20A	500A	Ts3N020TW-2		Ts3N020TW	
		25A	500A	Ts3N025TW-2		Ts3N025TW	
		30A	500A	Ts3N030TW-2		Ts3N030TW	
		35A	500A	Ts3N035TW-2		Ts3N035TW	
		40A	500A	Ts3N040TW-2		Ts3N040TW	
		50A	500A	Ts3N050TW-2	Ts3N050TW	948	Ts3N050TW
		60A	600A	Ts3N060TW-2	Ts3N060TW		
		70A	700A	Ts3N070TW-2	Ts3N070TW		
		80A	800A	Ts3N080TW-2	Ts3N080TW	1,115	Ts3N080TW
		90A	900A	Ts3N090TW-2	Ts3N090TW		
		100A	1000A	Ts3N100TW-2	Ts3N100TW	1,471	Ts3N100TW
		125A	1250A	Ts3N125TW-2	Ts3N125TW		
		150A	1500A	Ts3N150TW-2	Ts3N150TW		

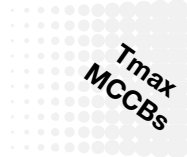
Breaker	IC at 480VAC kA	Rating	Magnetic trip	2 pole, 600VAC/500VDC catalog number	List price	3 pole, 600VAC/DC catalog number	List price
Ts3H	50	15A	500A	Ts3H015TW-2	\$ 939	Ts3H015TW	\$ 1,105
		20A	500A	Ts3H020TW-2		Ts3H020TW	
		25A	500A	Ts3H025TW-2		Ts3H025TW	
		30A	500A	Ts3H030TW-2		Ts3H030TW	
		35A	500A	Ts3H035TW-2		Ts3H035TW	
		40A	500A	Ts3H040TW-2		Ts3H040TW	
		50A	500A	Ts3H050TW-2	Ts3H050TW	1,071	Ts3H050TW
		60A	600A	Ts3H060TW-2	Ts3H060TW		
		70A	700A	Ts3H070TW-2	Ts3H070TW		
		80A	800A	Ts3H080TW-2	Ts3H080TW	1,260	Ts3H080TW
		90A	900A	Ts3H090TW-2	Ts3H090TW		
		100A	1000A	Ts3H100TW-2	Ts3H100TW	2,323	Ts3H100TW
		125A	1250A	Ts3H125TW-2	Ts3H125TW		
		150A	1500A	Ts3H150TW-2	Ts3H150TW		

16

Breaker	IC at 480VAC kA	Rating	Magnetic trip	2 pole, 600VAC/500VDC catalog number	List price	3 pole, 600VAC/DC catalog number	List price		
Ts3L	65	15A	500A	Ts3L015TW-2	\$ 1,518	Ts3L015TW	\$ 1,786		
		20A	500A	Ts3L020TW-2		Ts3L020TW			
		25A	500A	Ts3L025TW-2		Ts3L025TW			
		30A	500A	Ts3L030TW-2		Ts3L030TW			
		35A	500A	Ts3L035TW-2		Ts3L035TW			
	85	40A	500A	Ts3L040TW-2	1,518	Ts3L040TW	1,786		
		50A	500A	Ts3L050TW-2		Ts3L050TW			
		60A	600A	Ts3L060TW-2		Ts3L060TW			
		70A	700A	Ts3L070TW-2		Ts3L070TW			
		80A	800A	Ts3L080TW-2		Ts3L080TW		1,692	Ts3L080TW
		90A	900A	Ts3L090TW-2		Ts3L090TW			
		100A	1000A	Ts3L100TW-2		Ts3L100TW			
		125A	1250A	Ts3L125TW-2		3,636		Ts3L125TW	4,278
		150A	1500A	Ts3L150TW-2				Ts3L150TW	

NOTE: See pages 16.57 - 16.70 for electrical/mechanical accessories.

Ts3
150A, 600V Δ, 225A, 480V Δ, 100% rated
Thermal magnetic



Ts3
150A 600VAC/225A 480VAC
Thermal Magnetic Trip Units 100% Rated

Breaker	IC at 480VAC	Rating	Magnetic trip	3 pole 600VAC/DC catalog number	List price
Ts3NQ	25	15A	500A	Ts3NQ015TW	\$ 1,054
		20A	500A	Ts3NQ020TW	
		25A	500A	Ts3NQ025TW	
		30A	500A	Ts3NQ030TW	
		35A	500A	Ts3NQ035TW	
		40A	500A	Ts3NQ040TW	
		50A	500A	Ts3NQ050TW	1,227
		60A	600A	Ts3NQ060TW	
		70A	700A	Ts3NQ070TW	
		80A	800A	Ts3NQ080TW	1,771
		90A	900A	Ts3NQ090TW	
		100A	1000A	Ts3NQ100TW	
		125A	1250A	Ts3NQ125TW	
		150A	1500A	Ts3NQ150TW	

Breaker	IC at 480VAC	Rating	Magnetic trip	3 pole catalog number	List price
Ts3HQ	50kA	15A	500A	Ts3HQ015TW	\$ 1,216
		20A	500A	Ts3HQ020TW	
		25A	500A	Ts3HQ025TW	
		30A	500A	Ts3HQ030TW	
		35A	500A	Ts3HQ035TW	
		40A	500A	Ts3HQ040TW	
		50A	500A	Ts3HQ050TW	1,386
		60A	600A	Ts3HQ060TW	
		70A	700A	Ts3HQ070TW	
		80A	800A	Ts3HQ080TW	3,006
		90A	900A	Ts3HQ090TW	
		100A	1000A	Ts3HQ100TW	
		125A	1250A	Ts3HQ125TW	
		150A	1500A	Ts3HQ150TW	

Breaker	IC at 480VAC	Rating	Magnetic trip	3 pole catalog number	List price	
Ts3LQ	65kA	15A	500A	Ts3LQ015TW	\$ 1,965	
		20A	500A	Ts3LQ020TW		
		25A	500A	Ts3LQ025TW		
		30A	500A	Ts3LQ030TW		
	85kA	35A	500A	Ts3LQ035TW		
		40A	500A	Ts3LQ040TW		
		50A	500A	Ts3LQ050TW		
		60A	600A	Ts3LQ060TW		
		70A	700A	Ts3LQ070TW		2,189
		80A	800A	Ts3LQ080TW		
		90A	900A	Ts3LQ090TW		
		100A	1000A	Ts3LQ100TW		
		125A	1250A	Ts3LQ125TW		
		150A	1500A	Ts3LQ150TW	4,706	

NOTE: See pages 16.57 - 16.70 for electrical/mechanical accessories.

Ts3

150/225A 600VAC

MCP/Molded case switch

Magnetic only (MCP)

Breaker	IC at 480VAC	Trip unit type	Rating	Adjustment range	3 pole 600VAC Catalog number	List Price
Ts3L	25	Magnetic only	3	12-36	Ts3L003MW	\$ 726
	25	Magnetic only	5	20-60	Ts3L005MW	726
	25	Magnetic only	10	40-120	Ts3L010MW	726
	25	Magnetic only	25	100-300	Ts3L025MW	726
	85	Magnetic only	50	200-600	Ts3L050MW	920
Ts3L	85	Magnetic only	100	400-1200	Ts3L100MW	1,095
	85	Magnetic only	125	500-1500	Ts3L125MW	1,448
	85	Magnetic only	150	600-1500	Ts3L150MW	1,448
	65	Magnetic only	175 ①	700-2100	Ts3L175MW	1,448
	65	Magnetic only	200 ①	800-2400	Ts3L200MW	1,517

Molded Case Switch ②

Type	IC at 480V (2)	Magnetic trip	Amps	3 pole 600V catalog number	List price
Ts3H	50	1500	150	Ts3H150DW	\$ 1,060
	50	2250	225 ①	Ts3H225DW	1,188

NOTE: See pages 16.57 - 16.70 for electrical/mechanical accessories.

① When protected by a OCPD with appropriate ratings.
② 480 VAC maximum

T4

250A, 600V Δ

Electronic and thermal magnetic

Tmax
MCCBs



Dimensions 3P Fixed Version 8.07H x 4.13W x 4.07D
Weight 6.18 (lbs)

General

The T4 breaker is a 250 amp frame with either a microprocessor based over current protective trip system or a thermal magnetic trip unit.

Standards

The UL489/CSA 22.2 version of T4 also carries an IEC-60947-2 rating.

Versions

To meet all application requirements, the T4 is available in the following versions:

- T = Thermal-magnetic
- B = Selectable & adjustable LI or LS
- C = Adjustable LSI
- E = Adjustable LSIG
- D = Molded Case Switch
- E5 = Electronic instantaneous only (MCP)

Trip functions

These trip functions are available:

- L = Long time
- S = Short time
- I = Instantaneous
- G = Ground fault

Performance levels

Each version is also available in different maximum fault interrupting levels:

- N = Normal
- S = Standard
- H = High - UL Current Limiting
- L = Extra high
- V = Very high - UL Current Limiting

Number of poles ^③

The T4 is available in two, three and four pole versions. Estimate 4 pole pricing by adding 35% to the 3 pole price and contact your ABB sales person for details.

UL489 / CSA C22.2 Interrupting capacity (kA RMS)

Voltage	N	S	H	L	V
240VAC	65	100	150	200	200
480VAC	25	35	65	100	150
600VAC	18	25	35	65	100
500VDC ^①	25	35	50	65	100
600VDC ^②	16	25	35	50	65

IEC 60947-2 Interrupting capacity (kA RMS)

Voltage	N	S	H	L	V
230VAC	70	85	100	200	200
415VAC	36	50	70	120	200
690VAC	20	25	40	70	80
750VDC ^②	16	25	36	50	70

^① 2 poles in series.

^② 3 poles in series.

^③ 2 pole breakers available in N version only. 4 pole breakers available in N and H version only.

T4

250A, 600V Δ

Adjustable thermal magnetic

20A - 250A Frame

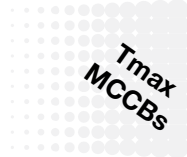
Breaker	IC at 480VAC	Rating	Magnetic trip	2 pole, 600VAC/600VDC catalog number	List price	3 pole, 600VAC/600VDC catalog number	List price
T4N	25	125A	625-1250	T4N125TW-2	\$ 1,584	T4N125TW	\$ 1,667
		150A	750-1500	T4N150TW-2		T4N150TW	
		200A	1000-2000	T4N200TW-2		T4N200TW	
		250A	1250-2500	T4N250TW-2	1,631	T4N250TW	1,717
T4S	35	125A	625-1250	-	-	T4S125TW	2,067
		150A	750-1500	-	-	T4S150TW	
		200A	1000-2000	-	-	T4S200TW	
		250A	1250-2500	-	-	T4S250TW	2,092
T4H UL Current Limiting	65	125A	625-1250	-	-	T4H125TW	3,767
		150A	750-1500	-	-	T4H150TW	
		200A	1000-2000	-	-	T4H200TW	
		250A	1250-2500	-	-	T4H250TW	3,832
T4L	100	125A	625-1250	-	-	T4L125TW	5,995
		150A	750-1500	-	-	T4L150TW	
		200A	1000-2000	-	-	T4L200TW	
		250A	1250-2500	-	-	T4L250TW	6,110
T4V UL Current Limiting	150	125A	625-1250	-	-	T4V125TW	6,847
		150A	750-1500	-	-	T4V150TW	
		200A	1000-2000	-	-	T4V200TW	
		250A	1250-2500	-	-	T4V250TW	6,887

NOTE: See pages 16.57 - 16.70 for electrical/mechanical accessories.

T4

250A, 600V Δ 100% rated

Adjustable thermal magnetic



30A - 250A Frame 100% rated

Breaker	IC at 480 VAC kA	Rating	Magnetic trip	3 pole, 600VAC/600VDC Catalog number	List price
T4N	25	125A	625-1250	T4NQ125TW	\$ 1,839
		150A	750-1500	T4NQ150TW	
		200A	1000-2000	T4NQ200TW	
		250A	1250-2500	T4NQ250TW	
T4S	35	125A	625-1250	T4SQ125TW	2,280
		150A	750-1500	T4SQ150TW	
		200A	1000-2000	T4SQ200TW	
		250A	1250-2500	T4SQ250TW	
T4H UL Current Limiting	65	125A	625-1250	T4HQ125TW	4,155
		150A	750-1500	T4HQ150TW	
		200A	1000-2000	T4HQ200TW	
		250A	1250-2500	T4HQ250TW	
T4L	100	125A	625-1250	T4LQ125TW	6,612
		150A	750-1500	T4LQ150TW	
		200A	1000-2000	T4LQ200TW	
		250A	1250-2500	T4LQ250TW	
T4V UL Current Limiting	150	125A	625-1250	T4VQ125TW	7,552
		150A	750-1500	T4VQ150TW	
		200A	1000-2000	T4VQ200TW	
		250A	1250-2500	T4VQ250TW	

NOTE: See pages 16.57 - 16.70 for electrical/mechanical accessories.

T4

250A, 600V Δ

Electronic (AC only)

100A Frame, electronic trip unit (AC only)

Breaker	IC at 480VAC kA	Trip Unit	2 pole, 600V catalog number	List price	3 pole, 600V catalog number	List price
T4N	25	PR221 LS/I	T4N100BW-2	\$ 1,808	T4N100BW	\$ 1,903
		PR222 LSI	T4N100CW-2	2,413	T4N100CW	2,540
		PR222 LSIG	T4N100EW-2	3,164	T4N100EW	3,330
T4S	35	PR221 LS/I	-	-	T4S100BW	2,370
		PR222 LSI	-	-	T4S100CW	3,164
		PR222 LSIG	-	-	T4S100EW	4,148
T4H UL Current Limiting	65	PR221 LS/I	-	-	T4H100BW	4,498
		PR222 LSI	-	-	T4H100CW	4,845
		PR222 LSIG	-	-	T4H100EW	5,877
T4L	100	PR221 LS/I	-	-	T4L100BW	5,954
		PR222 LSI	-	-	T4L100CW	6,063
		PR222 LSIG	-	-	T4L100EW	7,091
T4V UL Current Limiting	150	PR221 LS/I	-	-	T4V100BW	8,555
		PR222 LSI	-	-	T4V100CW	9,213
		PR222 LSIG	-	-	T4V100EW	9,957

150A Frame, electronic trip unit (AC only)

Breaker	IC at 480VAC kA	Trip Unit	2 pole, 600V catalog number	List price	3 pole, 600V catalog number	List price
T4N	25	PR221 LS/I	T4N150BW-2	\$ 1,948	T4N150BW	\$ 2,050
		PR222 LSI	T4N150CW-2	2,600	T4N150CW	2,737
		PR222 LSIG	T4N150EW-2	3,409	T4N150EW	3,588
T4S	35	PR221 LS/I	-	-	T4S150BW	2,542
		PR222 LSI	-	-	T4S150CW	3,394
		PR222 LSIG	-	-	T4S150EW	4,449
T4H UL Current Limiting	65	PR221 LS/I	-	-	T4H150BW	4,633
		PR222 LSI	-	-	T4H150CW	5,024
		PR222 LSIG	-	-	T4H150EW	6,094
T4L	100	PR221 LS/I	-	-	T4L150BW	6,174
		PR222 LSI	-	-	T4L150CW	6,288
		PR222 LSIG	-	-	T4L150EW	7,354
T4V UL Current Limiting	150	PR221 LS/I	-	-	T4V150BW	8,872
		PR222 LSI	-	-	T4V150CW	9,555
		PR222 LSIG	-	-	T4V150EW	10,326

250A Frame, electronic trip unit (AC only)

Breaker	IC at 480VAC kA	Trip Unit	2 pole, 600V catalog number	List price	3 pole, 600V catalog number	List price
T4N	25	PR221 LS/I	T4N250BW-2	\$ 2,006	T4N250BW	\$ 2,112
		PR222 LSI	T4N250CW-2	2,678	T4N250CW	2,819
		PR222 LSIG	T4N250EW-2	3,511	T4N250EW	3,696
T4S	35	PR221 LS/I	-	-	T4S250BW	2,573
		PR222 LSI	-	-	T4S250CW	3,435
		PR222 LSIG	-	-	T4S250EW	4,503
T4H UL Current Limiting	65	PR221 LS/I	-	-	T4H250BW	4,713
		PR222 LSI	-	-	T4H250CW	5,127
		PR222 LSIG	-	-	T4H250EW	6,219
T4L	100	PR221 LS/I	-	-	T4L250BW	6,300
		PR222 LSI	-	-	T4L250CW	6,416
		PR222 LSIG	-	-	T4L250EW	7,504
T4V UL Current Limiting	150	PR221 LS/I	-	-	T4V250BW	9,053
		PR222 LSI	-	-	T4V250CW	9,750
		PR222 LSIG	-	-	T4V250EW	10,537

NOTE: See pages 16.57 - 16.70 for electrical/mechanical accessories.

T4

250A, 600V Δ, 100% Rated Electronic (AC only)

Tmax
MCCBs

100A Frame - 100% rated, electronic trip unit (AC only)

Breaker	IC at 480VAC kA	Trip Unit	3 pole, 600V catalog number	List price
T4N	25	PR221 LS/I	T4NQ100BW	\$ 2,124
		PR222 LSI	T4NQ100CW	2,835
		PR222 LSIg	T4NQ100EW	3,716
T4S	35	PR221 LS/I	T4SQ100BW	2,645
		PR222 LSI	T4SQ100CW	3,531
		PR222 LSIg	T4SQ100EW	4,629
T4H UL Current Limiting	65	PR221 LS/I	T4HQ100BW	5,020
		PR222 LSI	T4HQ100CW	5,383
		PR222 LSIg	T4HQ100EW	6,530
T4L	100	PR221 LS/I	T4LQ100BW	6,616
		PR222 LSI	T4LQ100CW	6,737
		PR222 LSIg	T4LQ100EW	7,879
T4V UL Current Limiting	150	PR221 LS/I	T4VQ100BW	9,506
		PR222 LSI	T4VQ100CW	10,237
		PR222 LSIg	T4VQ100EW	11,063

150A Frame - 100% rated, electronic trip unit (AC only)

Breaker	IC at 480VAC kA	Trip Unit	3 pole, 600V catalog number	List price
T4N	25	PR221 LS/I	T4NQ150BW	\$ 2,288
		PR222 LSI	T4NQ150CW	3,055
		PR222 LSIg	T4NQ150EW	4,004
T4S	35	PR221 LS/I	T4SQ150BW	2,837
		PR222 LSI	T4SQ150CW	3,788
		PR222 LSIg	T4SQ150EW	4,965
T4H UL Current Limiting	65	PR221 LS/I	T4HQ150BW	5,171
		PR222 LSI	T4HQ150CW	5,582
		PR222 LSIg	T4HQ150EW	6,771
T4L	100	PR221 LS/I	T4LQ150BW	6,860
		PR222 LSI	T4LQ150CW	6,987
		PR222 LSIg	T4LQ150EW	8,171
T4V UL Current Limiting	150	PR221 LS/I	T4VQ150BW	9,858
		PR222 LSI	T4VQ150CW	10,616
		PR222 LSIg	T4VQ150EW	11,473

250A Frame - 100% rated, electronic trip unit (AC only)

Breaker	IC at 480VAC kA	Trip Unit	3 pole, 600V catalog number	List price
T4N	25	PR221 LS/I	T4NQ250BW	\$ 2,357
		PR222 LSI	T4NQ250CW	3,146
		PR222 LSIg	T4NQ250EW	4,125
T4S	35	PR221 LS/I	T4SQ250BW	2,872
		PR222 LSI	T4SQ250CW	3,834
		PR222 LSIg	T4SQ250EW	5,025
T4H UL Current Limiting	65	PR221 LS/I	T4HQ250BW	5,260
		PR222 LSI	T4HQ250CW	5,697
		PR222 LSIg	T4HQ250EW	6,910
T4L	100	PR221 LS/I	T4LQ250BW	7,000
		PR222 LSI	T4LQ250CW	7,129
		PR222 LSIg	T4LQ250EW	8,338
T4V UL Current Limiting	150	PR221 LS/I	T4VQ250BW	10,058
		PR222 LSI	T4VQ250CW	10,833
		PR222 LSIg	T4VQ250EW	11,708

NOTE: See pages 16.57 - 16.70 for electrical/mechanical accessories.

T4

250A, 600V Δ

Instantaneous only, MCP/Molded case switch

Instantaneous only MCPs

T4 - 250A Frame magnetic only (MCP - AC only)

Breaker	IC at 480VAC	Trip unit type	Rating	Adjustment range	3 pole, 600VAC Catalog number	List price
T4N	25kA	Instantaneous only	100A	100-1000	T4N100E5W	\$ 1,808
			150A	150-1500	T4N150E5W	1,948
			250A	250-2500	T4N250E5W	2,006
T4S	35kA	Instantaneous only	100A	100-1000	T4S100E5W	2,252
			150A	150-1500	T4S150E5W	2,415
			250A	250-2500	T4S250E5W	2,444
T4H	65kA	Instantaneous only	100A	100-1000	T4H100E5W	4,273
			150A	150-1500	T4H150E5W	4,401
			250A	250-2500	T4H250E5W	4,477
T4L	100kA	Instantaneous only	100A	100-1000	T4L100E5W	5,656
			150A	150-1500	T4L150E5W	5,865
			250A	250-2500	T4L250E5W	5,985

Molded case switch ①

Type	IC at 480VAC	Amps	Magnetic trip	3 pole 600V catalog number	List price
T4N-D	25kA	250	3000	T4N250DW	\$ 1,354
T4S-D	35kA	250	3000	T4S250DW	1,510
T4H-D	65kA	250	3000	T4H250DW	2,154
T4L-D	100kA	250	3000	T4L250DW	3,419
T4V-D	150kA	250	3000	T4V250DW	3,842

NOTE: See pages 16.57 - 16.70 for electrical/mechanical accessories.

T5

400/600A, 600V Δ

Electronic and thermal magnetic



T5

Dimensions 3P Fixed Version 8.07H x 5.51W x 4.07D
Weight 8.55 (lbs)

General

The T5 breaker is a 400/600 amp frame with either a microprocessor based over current protective trip system or a thermal magnetic trip unit. ③

Standards

The UL489/CSA 22.2 version of T5 also carries an IEC-60947-2 rating.

Versions

To meet all application requirements, the T5 is available in the following versions:

- T = Thermal-magnetic
- B = Selectable & adjustable LI or LS
- C = Adjustable LSI
- E = Adjustable LSI^G
- D = Molded Case Switch
- E5 = Electronic instantaneous only (MCP)

Trip functions

These trip functions are available:

- L = Long time
- S = Short time
- I = Instantaneous
- G = Ground fault

Performance levels

Each version is also available in different maximum fault interrupting levels:

- N = Normal
- S = Standard
- H = High - UL Current Limiting
- L = Extra high
- V = Very high - UL Current Limiting

Number of poles ④

The T5 is available in two, three and four pole versions. Estimate 4 pole pricing by adding 35% to the 3 pole price and contact your ABB sales person for details.

UL489 / CSA C22.2 Interrupting capacity (kA RMS)

Voltage	N	S	H	L	V
240VAC	65	100	150	200	200
480VAC	25	35	65	100	150
600VAC	18	25	35	65	100
500VDC ①	25	35	50	65	100
600VDC ②	16	25	35	50	65

IEC 60947-2 Interrupting capacity (kA RMS)

Voltage	N	S	H	L	V
230VAC	70	85	100	200	200
415VAC	36	50	70	120	200
690VAC	20	25	40	70	80
750VDC	16	25	36	50	70

① 2 poles in series.

② 3 poles in series.

③ T5 600A not available with thermal magnetic trip unit.

④ 2 pole available in N version only. 4 pole available in N and H version only.

T5

400/600A, 600V Δ

Thermal magnetic ①

300A - 400A Frames - thermal-magnetic trip units

Breaker	IC at 480VAC kA	Rating	Magnetic trip	2 pole, 600VAC/600VDC catalog number	List price	3 pole, 600VAC/600VDC catalog number	List price
T5N	25	300A 400A	1500-3000 2000-4000	T5N300TW-2 T5N400TW-2	\$ 2,481	T5N300TW T5N400TW	\$ 2,612
T5S	35	300A 400A	1500-3000 2000-4000	-	-	T5S300TW T5S400TW	2,880
T5H UL Current Limiting	65	300A 400A	1500-3000 2000-4000	-	-	T5H300TW T5H400TW	4,950
T5L	100	300A 400A	1500-3000 2000-4000	-	-	T5L300TW T5L400TW	6,400
T5V UL Current Limiting	150	300A 400A	1500-3000 2000-4000	-	-	T5V300TW T5V400TW	9,873

300A - 400A Frames - 100% rated, thermal-magnetic

Breaker	IC at 480VAC	Rating	Magnetic trip	3 pole, 600VAC/600VDC Catalog number	List price
T5N	25	300A 400A	1500-3000 2000-4000	T5NQ300TW T5NQ400TW	\$ 2,888
T5S	35	300A 400A	1500-3000 2000-4000	T5SQ300TW T5SQ400TW	3,185
T5H UL Current Limiting	65	300A 400A	1500-3000 2000-4000	T5HQ300TW T5HQ400TW	5,475
T5L	100	300A 400A	1500-3000 2000-4000	T5LQ300TW T5LQ400TW	7,078
T5V UL Current Limiting	150	300A 400A	1500-3000 2000-4000	T5VQ300TW T5VQ400TW	10,920

NOTE: See pages 16.57 - 16.70 for electrical/mechanical accessories.

① T5 600A not available with Thermal Magnetic trip unit.

T5

400/600A, 600V Δ

Electronic (AC only)

Tmax
MCCBs

300A Frame, electronic trip unit (AC only)

Breaker	IC at 480VAC kA	Trip Unit	2 pole, 600V catalog number	List price	3 pole, 600V catalog number	List price
T5N	25	PR221 LS/I	T5N300BW-2	\$ 3,097	T5N300BW	\$ 3,260
		PR222 LSI	T5N300CW-2	3,672	T5N300CW	3,865
		PR222 LSIG	T5N300EW-2	4,717	T5N300EW	4,965
T5S	35	PR221 LS/I	-	-	T5S300BW	3,350
		PR222 LSI	-	-	T5S300CW	3,945
		PR222 LSIG	-	-	T5S300EW	5,138
T5H UL Current Limiting	65	PR221 LS/I	-	-	T5H300BW	5,395
		PR222 LSI	-	-	T5H300CW	5,893
		PR222 LSIG	-	-	T5H300EW	7,148
T5L	100	PR221 LS/I	-	-	T5L300BW	6,860
		PR222 LSI	-	-	T5L300CW	7,375
		PR222 LSIG	-	-	T5L300EW	8,625
T5V UL Current Limiting	150	PR221 LS/I	-	-	T5V300BW	10,406
		PR222 LSI	-	-	T5V300CW	11,206
		PR222 LSIG	-	-	T5V300EW	12,111

400A Frame, electronic trip unit (AC only)

Breaker	IC at 480VAC kA	Trip Unit	2 pole, 600V catalog number	List price	3 pole, 600V catalog number	List price
T5N	25	PR221 LS/I	T5N400BW-2	\$ 3,097	T5N400BW	\$ 3,260
		PR222 LSI	T5N400CW-2	3,672	T5N400CW	3,865
		PR222 LSIG	T5N400EW-2	4,717	T5N400EW	4,965
T5S	35	PR221 LS/I	-	-	T5S400BW	3,350
		PR222 LSI	-	-	T5S400CW	3,945
		PR222 LSIG	-	-	T5S400EW	5,138
T5H UL Current Limiting	65	PR221 LS/I	-	-	T5H400BW	5,395
		PR222 LSI	-	-	T5H400CW	5,893
		PR222 LSIG	-	-	T5H400EW	7,148
T5L	100	PR221 LS/I	-	-	T5L400BW	6,860
		PR222 LSI	-	-	T5L400CW	7,375
		PR222 LSIG	-	-	T5L400EW	8,625
T5V UL Current Limiting	150	PR221 LS/I	-	-	T5V400BW	10,406
		PR222 LSI	-	-	T5V400CW	11,206
		PR222 LSIG	-	-	T5V400EW	12,111

600A Frame, electronic trip unit (AC only) ①

Breaker	IC at 480VAC kA	Trip Unit	3 pole, 600V catalog number	List price
T5N	25	PR221 LS/I	T5N600BW	\$ 5,750
		PR222 LSI	T5N600CW	6,460
		PR222 LSIG	T5N600EW	8,360
T5S	35	PR221 LS/I	T5S600BW	5,910
		PR222 LSI	T5S600CW	6,595
		PR222 LSIG	T5S600EW	8,645
T5H	65	PR221 LS/I	T5H600BW	8,170
		PR222 LSI	T5H600CW	8,805
		PR222 LSIG	T5H600EW	10,890
T5L	100	PR221 LS/I	T5L600BW	9,860
		PR222 LSI	T5L600CW	10,440
		PR222 LSIG	T5L600EW	12,630
T5V	150	PR221 LS/I	T5V600BW	13,550
		PR222 LSI	T5V600CW	14,375
		PR222 LSIG	T5V600EW	16,350

NOTE: See pages 16.57 - 16.70 for electrical/mechanical accessories.

① T5 600A not available in 2 pole version.

T5

400/600A, 600V Δ, 100% Rated ①

Electronic (AC only)

300A Frame – 100% rated, electronic trip units (AC only)

Breaker	IC at 480VAC kA	Trip Unit	3 pole, 600V catalog number	List price
T5N	25	PR221 LS/I	T5NQ300BW	\$ 3,628
		PR222 LSI	T5NQ300CW	4,302
		PR222 LSI ^①	T5NQ300EW	5,526
T5S	35	PR221 LS/I	T5SQ300BW	3,729
		PR222 LSI	T5SQ300CW	4,391
		PR222 LSI ^①	T5SQ300EW	5,719
T5H UL Current limiting	65	PR221 LS/I	T5HQ300BW	6,005
		PR222 LSI	T5HQ300CW	6,559
		PR222 LSI ^①	T5HQ300EW	7,956
T5L	100	PR221 LS/I	T5LQ300BW	7,635
		PR222 LSI	T5LQ300CW	8,208
		PR222 LSI ^①	T5LQ300EW	9,600
T5V UL Current limiting	150	PR221 LS/I	T5VQ300BW	11,582
		PR222 LSI	T5VQ300CW	12,473
		PR222 LSI ^①	T5VQ300EW	13,480

400A Frame – 100% rated, electronic trip units (AC only)

Breaker	IC at 480VAC kA	Trip Unit	3 pole, 600V catalog number	List price
T5N	25	PR221 LS/I	T5NQ400BW	\$ 3,628
		PR222 LSI	T5NQ400CW	4,302
		PR222 LSI ^①	T5NQ400EW	5,526
T5S	35	PR221 LS/I	T5SQ400BW	3,729
		PR222 LSI	T5SQ400CW	4,391
		PR222 LSI ^①	T5SQ400EW	5,719
T5H UL Current limiting	65	PR221 LS/I	T5HQ400BW	6,005
		PR222 LSI	T5HQ400CW	6,559
		PR222 LSI ^①	T5HQ400EW	7,956
T5L	100	PR221 LS/I	T5LQ400BW	7,635
		PR222 LSI	T5LQ400CW	8,208
		PR222 LSI ^①	T5LQ400EW	9,600
T5V UL Current limiting	150	PR221 LS/I	T5VQ400BW	11,582
		PR222 LSI	T5VQ400CW	12,473
		PR222 LSI ^①	T5VQ400EW	13,480

NOTE: See pages 16.57 - 16.70 for electrical/mechanical accessories.

T5

400/600A, 600V Δ

Instantaneous only, MCP/Molded case switch



T5 - 400A Frame, magnetic only (MCP - AC only)

Breaker	IC at 480VAC	Trip unit type	Rating	Adjustment range	3 pole, 600VAC Catalog number	List price
T5N	25kA	Instantaneous only	300A 400A	300-3000 400-4000	T5N300E5W T5N400E5W	\$ 3,097
T5S	35kA	Instantaneous only	300A 400A	300-3000 400-4000	T5S300E5W T5S400E5W	3,183
T5H	65kA	Instantaneous only	300A 400A	300-3000 400-4000	T5H300E5W T5H400E5W	5,125
T5L	100kA	Instantaneous only	300A 400A	300-3000 400-4000	T5L300E5W T5L400E5W	6,517

T5 - 600A Frame, magnetic only (MCP - AC only)

Breaker	IC at 480VAC	Trip unit type	Rating	Adjustment range	3 pole, 600VAC Catalog number	List price
T5N	25kA	Instantaneous only	600A	600-6000	T5N600E5W	\$ 5,615
T5S	35kA	Instantaneous only	600A	600-6000	T5S600E5W	5,770
T5H	65kA	Instantaneous only	600A	600-6000	T5H600E5W	7,761
T5L	100kA	Instantaneous only	600A	600-6000	T5L600E5W	9,370

Molded case switch ①

Type	IC at 480VAC	Amps	Magnetic trip	3 pole 600V catalog number	List price
T5N-D	25kA	400	5000	T5N400DW	\$ 2,393
T5S-D	35kA	400	5000	T5S400DW	2,659
T5H-D	65kA	400	5000	T5H400DW	4,585
T5L-D	100kA	400	5000	T5L400DW	5,878
T5V-D	150kA	400	5000	T5V400DW	7,536
T5N-D	25kA	600	6000	T5N600DW	3,419
T5S-D	35kA	600	6000	T5S600DW	3,799
T5H-D	65kA	600	6000	T5H600DW	6,550
T5L-D	100kA	600	6000	T5L600DW	8,350
T5V-D	150kA	600	6000	T5V600DW	11,575

NOTE: See pages 16.57 - 16.70 for electrical/mechanical accessories.

① When protected by a OCPD with appropriate ratings.

T6

600A, 800A, 600V Δ

Thermal magnetic and electronic



Dimensions 3P Fixed Version 10.55H x 8.26W x 4.07D
Weight 20.9 (lbs)

General

The T6 breaker is an 800 amp frame with either a microprocessor based over current protective trip system or a thermal magnetic trip unit. The T6 is available as a 600 or 800A frame.

Standards

The UL489/CSA 22.2 version of T6 also carries an IEC-60947-2 rating.

Versions

To meet all application requirements, the T6 is available in the following versions:

- T = Thermal-magnetic, fixed
- B = Selectable & adjustable LI or LS
- C = Adjustable LSI
- E = Adjustable LSIG
- D = Molded Case Switch
- E5 = Electronic instantaneous only (MCP)

Trip functions

These trip functions are available:

- L = Long time
- S = Short time
- I = Instantaneous
- G = Ground fault

Performance levels

Each version is also available in different maximum fault interrupting levels:

- N = Normal
- S = Standard
- H = High
- L = Extra high

Number of poles ③

The T6 is available as a three and four pole breaker. Estimate 4 pole pricing by adding 35% to the 3 pole price and contact your ABB sales person for details.

UL489 / CSA C22.2 Interrupting capacity (kA RMS)

Voltage	N	S	H	L
240VAC	65	100	200	200
480VAC	35	50	65	100
600VAC	20	25	35	42
500VDC ①	35	35	50	65
600VDC ②	20	20	35	50

IEC 60947-2 Interrupting capacity (kA RMS)

Voltage	N	S	H	L
230VAC	70	85	100	200
415VAC	36	50	70	100
600VAC	20	22	25	30
750VDC ②	16	20	36	50

① 2 poles in series.

② 3 poles in series.

③ 4 pole available N and H version only.

T6

600A, 800A, 600V Δ

Thermal magnetic and electronic

Tmax
MCCBs

T6

600A, 800A, 600V

Thermal Magnetic Trip Units

Breaker	IC at 480 VAC kA	Rating	Magnetic trip	3 pole, 600VAC/600VDC catalog number	List price
T6N	35	600A	3000 - 6000A	T6N600TW	\$ 6,700
		800A	4000 - 8000A	T6N800TW	7,400
T6S	50	600A	3000 - 6000A	T6S600TW	7,100
		800A	4000 - 8000A	T6S800TW	7,800
T6H	65	600A	3000 - 6000A	T6H600TW	7,300
		800A	4000 - 8000A	T6H800TW	8,050
T6L	100	600A	3000 - 6000A	T6L600TW	9,300
		800A	4000 - 8000A	T6L800TW	9,968

T6

600A, 800A, 600V

Thermal Magnetic Trip Units 100% rated

Breaker	IC at 480 VAC kA	Rating	Magnetic trip	3 pole, 600VAC/600VDC catalog number	List price
T6N	35	600A	3000 - 6000A	T6NQ600TW	\$ 7,370
		800A	4000 - 8000A	T6NQ800TW	8,140
T6S	50	600A	3000 - 6000A	T6SQ600TW	7,810
		800A	4000 - 8000A	T6SQ800TW	8,580
T6H	65	600A	3000 - 6000A	T6HQ600TW	8,030
		800A	4000 - 8000A	T6HQ800TW	8,855
T6L	100	600A	3000 - 6000A	T6LQ600TW	10,230
		800A	4000 - 8000A	T6LQ800TW	10,965

T6

600A, 600V

Electronic Trip Units

Breaker	IC at 480VAC	Trip type	Adjustment	3 pole, 600VAC catalog number	List price
T6N	35	PR221	LS/I	T6N600BW	\$ 6,900
		PR222	LSI	T6N600CW	6,560
		PR222	LSIG	T6N600EW	8,400
T6S	50	PR221	LS/I	T6S600BW	7,300
		PR222	LSI	T6S600CW	7,800
		PR222	LSIG	T6S600EW	8,800
T6H	65	PR221	LS/I	T6H600BW	7,550
		PR222	LSI	T6H600CW	8,050
		PR222	LSIG	T6H600EW	9,050
T6L	100	PR221	LS/I	T6L600BW	9,550
		PR222	LSI	T6L600CW	10,425
		PR222	LSIG	T6L600EW	11,557

T6

800A, 600V

Electronic Trip Units

Breaker	IC at 480VAC	Trip type	Adjustment	3 pole, 600VAC catalog number	List price
T6N	35	PR221	LS/I	T6N800BW	\$ 8,100
		PR222	LSI	T6N800CW	8,600
		PR222	LSIG	T6N800EW	10,600
T6S	50	PR221	LS/I	T6S800BW	9,100
		PR222	LSI	T6S800CW	9,600
		PR222	LSIG	T6S800EW	11,600
T6H	65	PR221	LS/I	T6H800BW	9,300
		PR222	LSI	T6H800CW	9,800
		PR222	LSIG	T6H800EW	11,800
T6L	100	PR221	LS/I	T6L800BW	10,965
		PR222	LSI	T6L800CW	11,465
		PR222	LSIG	T6L800EW	13,465

NOTE: See pages 16.57 - 16.70 for electrical/mechanical accessories.

T6

600A, 800A, 600V Δ

Thermal magnetic and electronic

T6 600A, 600V Δ

Electronic Trip Units 100% Rated

Breaker	IC at 480VAC	Trip type	Adjustment	3 pole, 600VAC catalog number	List price
T6N	35	PR221	LS/I	T6NQ600BW	\$ 7,590
		PR222	LSI	T6NQ600CW	7,216
		PR222	LSIG	T6NQ600EW	9,240
T6S	50	PR221	LS/I	T6SQ600BW	8,030
		PR222	LSI	T6SQ600CW	8,580
		PR222	LSIG	T6SQ600EW	9,680
T6H	65	PR221	LS/I	T6HQ600BW	10,230
		PR222	LSI	T6HQ600CW	10,780
		PR222	LSIG	T6HQ600EW	12,980
T6L	100	PR221	LS/I	T6LQ600BW	10,505
		PR222	LSI	T6LQ600CW	11,605
		PR222	LSIG	T6LQ600EW	12,713

T6 800A, 600V

Electronic Trip Units 100% Rated

Breaker	IC at 480VAC	Trip type	Adjustment	3 pole, 600VAC catalog number	List price
T6N	35	PR221	LS/I	T6NQ800BW	\$ 8,910
		PR222	LSI	T6NQ800CW	9,460
		PR222	LSIG	T6NQ800EW	11,660
T6S	50	PR221	LS/I	T6SQ800BW	10,010
		PR222	LSI	T6SQ800CW	10,560
		PR222	LSIG	T6SQ800EW	12,760
T6H	65	PR221	LS/I	T6HQ800BW	10,230
		PR222	LSI	T6HQ800CW	10,780
		PR222	LSIG	T6HQ800EW	12,980
T6L	100	PR221	LS/I	T6LQ800BW	12,062
		PR222	LSI	T6LQ800CW	12,612
		PR222	LSIG	T6LQ800EW	14,812

T6 600A, 600V Δ

Electronic Trip Units Instantaneous Only

Breaker	IC at 480VAC	kA	Trip type	Adjustment Range	3 pole, 600VAC catalog number	List price
T6N	35		PR221	600-6000	T6N600E5W	\$ 5,929
T6S	50		PR221	600-6000	T6S600E5W	6,407
T6H	65		PR221	600-6000	T6H600E5W	6,623
T6L	100		PR221	600-6000	T6L600E5W	8,635

16

T6 800A, 600V

Electronic Trip Units Instantaneous Only

Breaker	IC at 480VAC	kA	Trip type	Adjustment Range	3 pole, 600VAC catalog number	List price
T6N	35		PR221	800-8000	T6N800E5W	\$ 6,254
T6S	50		PR221	800-8000	T6S800E5W	6,733
T6H	65		PR221	800-8000	T6H800E5W	6,948
T6L	100		PR221	800-8000	T6L800E5W	8,961

T6 800A, 600V

Molded Case Switch

Breaker	IC at 480VAC ①	Amp	Magnetic Trip	3 pole, 600VAC catalog number	List price
T6H	65	800	10,000	T6H800DW	\$ 4,824

NOTE: See pages 16.57 - 16.70 for electrical/mechanical accessories.

① When protected by a OCPD with appropriate ratings.

T7 (Toggle)

1000A, 1200A, 600V Δ

Electronic

Tmax
MCCBs



T7

Dimensions 3P Fixed Version 10.55H x 8.26W x 6.06D
Weight 21.4 (lbs)

General

The T7 breaker is a 1200 amp frame with a microprocessor based over current protective trip system.

Standards

The UL489/CSA 22.2 version of T7 also carries an IEC-60947-2 rating.

Versions

To meet all application requirements, the T7 is available in the following versions:

- B = Selectable & adjustable LI or LS — Dip switch settings
- C = Adjustable LSI — Dip switch settings
- E = Adjustable LSIG — Dip switch settings
- D = Molded Case Switch
- P = LI — LCD display
- R = LSI — LCD display
- S = LSIG — LCD display

Trip functions

These trip functions are available:

- L = Long time
- S = Short time
- I = Instantaneous
- G = Ground fault

Performance levels

Each version is also available in different maximum fault interrupting levels:

- S = Standard
- H = High
- L = Extra high

Number of poles ①

The T7 is available as a 3 and 4 pole breaker. Estimate 4 pole pricing by adding 35% to the 3 pole price and contact your ABB sales person for details.

UL489 / CSA C22.2 Interrupting capacity (kA RMS)

Voltage	S	H	L
240VAC	65	100	150
480VAC	50	65	100
600VAC	25	50	65

IEC 60947-2 Interrupting capacity (kA RMS)

Voltage	S	H	L
230VAC	85	100	200
415VAC	50	70	120
690VAC	30	42	50

① 4 Pole available S, H and L version.

T7

1000A, 1200A, 600V Δ

Electronic

T7S, 1000A, 600V

Electronic

Breaker	IC at 480VAC kA	Trip type	Adjustment	3 pole, 600VAC catalog number	List price
T7S	50	PR231/P	LS/I	T7S1000BW	\$ 9,803
		PR232/P	LSI	T7S1000CW	10,303
		PR331/P	LSIG	T7S1000EW	12,303
		PR332/P	LI	T7S1000PW	10,362
		PR332/P	LSI	T7S1000RW	11,362
		PR332/P	LSIG	T7S1000SW	12,606

T7S, 1200A, 600V

Electronic

Breaker	IC at 480VAC kA	Trip type	Adjustment	3 pole, 600VAC catalog number	List price
T7S	50	PR231/P	LS/I	T7S1200BW	\$ 13,235
		PR232/P	LSI	T7S1200CW	13,451
		PR331/P	LSIG	T7S1200EW	14,063
		PR332/P	LI	T7S1200PW	13,792
		PR332/P	LSI	T7S1200RW	14,790
		PR332/P	LSIG	T7S1200SW	16,036

T7H, 1000A, 600V

Electronic

Breaker	IC at 480VAC kA	Trip type	Adjustment	3 pole, 600VAC catalog number	List price
T7H	65	PR231/P	LS/I	T7H1000BW	\$ 10,380
		PR232/P	LSI	T7H1000CW	10,606
		PR331/P	LSIG	T7H1000EW	12,540
		PR332/P	LI	T7H1000PW	10,947
		PR332/P	LSI	T7H1000RW	11,947
		PR332/P	LSIG	T7H1000SW	13,191

T7H, 1200A, 600V

Electronic

Breaker	IC at 480VAC kA	Trip type	Adjustment	3 pole, 600VAC catalog number	List price
T7H	65	PR231/P	LS/I	T7H1200BW	\$ 14,025
		PR232/P	LSI	T7H1200CW	14,252
		PR331/P	LSIG	T7H1200EW	15,924
		PR332/P	LI	T7H1200PW	14,593
		PR332/P	LSI	T7H1200RW	15,591
		PR332/P	LSIG	T7H1200SW	16,837

T7L, 1000A, 600V

Electronic

Breaker	IC at 480VAC kA	Trip type	Adjustment	3 pole, 600VAC catalog number	List price
T7L	100	PR231/P	LS/I	T7L1000BW	\$ 10,965
		PR232/P	LSI	T7L1000CW	11,191
		PR331/P	LSIG	T7L1000EW	12,863
		PR332/P	LI	T7L1000PW	11,532
		PR332/P	LSI	T7L1000RW	12,532
		PR332/P	LSIG	T7L1000SW	13,776

T7L, 1200A, 600V

Electronic

Breaker	IC at 480VAC kA	Trip type	Adjustment	3 pole, 600VAC catalog number	List price
T7L	100	PR231/P	LS/I	T7L1200BW	\$ 14,826
		PR232/P	LSI	T7L1200CW	15,053
		PR331/P	LSIG	T7L1200EW	16,725
		PR332/P	LI	T7L1200PW	15,394
		PR332/P	LSI	T7L1200RW	16,393
		PR332/P	LSIG	T7L1200SW	17,638

NOTE: See pages 16.57 - 16.70 for electrical/mechanical accessories.

T7
1000A, 1200A, 600V Δ
Electronic, 100% rated

Tmax
MCCBs

T7S, 1000A, 600V

Electronic, 100% rated

Breaker	IC at 480VAC kA	Trip type	Adjustment	3 pole, 600VAC catalog number	List price
T7S	50	PR231/P	LS/I	T7SQ1000BW	\$ 10,783
		PR232/P	LSI	T7SQ1000CW	11,333
		PR331/P	LSIG	T7SQ1000EW	13,533
		PR332/P	LI	T7SQ1000PW	11,398
		PR332/P	LSI	T7SQ1000RW	12,498
		PR332/P	LSIG	T7SQ1000SW	13,867

T7S, 1200A, 600V

Electronic, 100% rated

Breaker	IC at 480VAC kA	Trip type	Adjustment	3 pole, 600VAC catalog number	List price
T7S	50	PR231/P	LS/I	T7SQ1200BW	\$ 14,559
		PR232/P	LSI	T7SQ1200CW	14,769
		PR331/P	LSIG	T7SQ1200EW	15,469
		PR332/P	LI	T7SQ1200PW	15,171
		PR332/P	LSI	T7SQ1200RW	16,269
		PR332/P	LSIG	T7SQ1200SW	17,640

T7H, 1000A, 600V

Electronic, 100% rated

Breaker	IC at 480VAC kA	Trip type	Adjustment	3 pole, 600VAC catalog number	List price
T7H	65	PR231/P	LS/I	T7HQ1000BW	\$ 11,418
		PR232/P	LSI	T7HQ1000CW	11,667
		PR331/P	LSIG	T7HQ1000EW	13,794
		PR332/P	LI	T7HQ1000PW	12,042
		PR332/P	LSI	T7HQ1000RW	13,142
		PR332/P	LSIG	T7HQ1000SW	14,510

T7H, 1200A, 600V

Electronic, 100% rated

Breaker	IC at 480VAC kA	Trip type	Adjustment	3 pole, 600VAC catalog number	List price
T7H	65	PR231/P	LS/I	T7HQ1200BW	\$ 15,428
		PR232/P	LSI	T7HQ1200CW	15,677
		PR331/P	LSIG	T7HQ1200EW	17,516
		PR332/P	LI	T7HQ1200PW	16,052
		PR332/P	LSI	T7HQ1200RW	17,150
		PR332/P	LSIG	T7HQ1200SW	18,521

T7L, 1000A, 600V

Electronic, 100% rated

Breaker	IC at 480VAC kA	Trip type	Adjustment	3 pole, 600VAC catalog number	List price
T7L	100	PR231/P	LS/I	T7LQ1000BW	\$ 12,062
		PR232/P	LSI	T7LQ1000CW	12,310
		PR331/P	LSIG	T7LQ1000EW	14,149
		PR332/P	LI	T7LQ1000PW	12,685
		PR332/P	LSI	T7LQ1000RW	12,785
		PR332/P	LSIG	T7LQ1000SW	15,154

T7L, 1200A, 600V

Electronic, 100% rated

Breaker	IC at 480VAC kA	Trip type	Adjustment	3 pole, 600VAC catalog number	List price
T7L	100	PR231/P	LS/I	T7LQ1200BW	\$ 16,309
		PR232/P	LSI	T7LQ1200CW	16,558
		PR331/P	LSIG	T7LQ1200EW	18,398
		PR332/P	LI	T7LQ1200PW	16,933
		PR332/P	LSI	T7LQ1200RW	18,032
		PR332/P	LSIG	T7LQ1200SW	19,402

NOTE: See pages 16.57 - 16.70 for electrical/mechanical accessories.

T7
1200A, 600V Δ
Electronic/Molded case switch

T7
1200A, 600V
Molded case switch

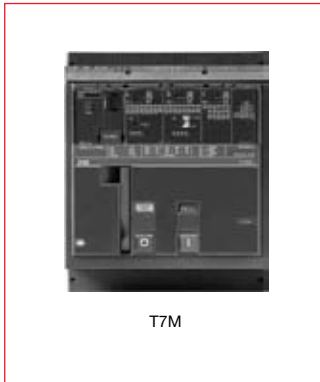
Breaker	IC at 480VAC kA ①	Amp	Magnetic trip	3 pole, 600VAC catalog number	List price
T7H	-	1200	20,000	T7H1200DW	Consult factory

Call for availability!

NOTE: See pages 16.57 - 16.70 for electrical/mechanical accessories.

① When protected by a OCPD with appropriate ratings.

T7M (Stored energy) 1000A, 1200A, 600V Δ Electronic



T7M

Dimensions 3P Fixed Version 10.55H x 8.26W x 7D

Weight 24.25 (lbs)

General

The T7M breaker is a stored energy 1200A frame with a microprocessor based overcurrent protective trip system.

Standards

The UL489/CSA 22.2 version of T7M also carries an IEC-60947-2 rating.

Versions

To meet all application requirements, the T7M is available in the following versions:

- B = Selectable & adjustable LI or LS — Dip switch setting
- C = Adjustable LSI — Dip switch setting
- E = Adjustable LSIG — Dip switch setting
- D = Molded Case Switch
- P = LI — LCD display
- R = LSI — LCD display
- S = LSIG — LCD display

Trip functions

These trip functions are available:

- L = Long time
- S = Short time
- I = Instantaneous
- G = Ground fault

Performance levels

Each version is also available in different maximum fault interrupting levels:

- S = Standard
- H = High
- L = Extra high

Number of poles

The T7M is available as a three and four pole breaker.

UL489 / CSA C22.2 Interrupting capacity (kA RMS)

Voltage	S	H	L
240VAC	65	100	150
480VAC	50	65	100
600VAC	25	50	65

IEC 60947-2 Interrupting capacity (kA RMS)

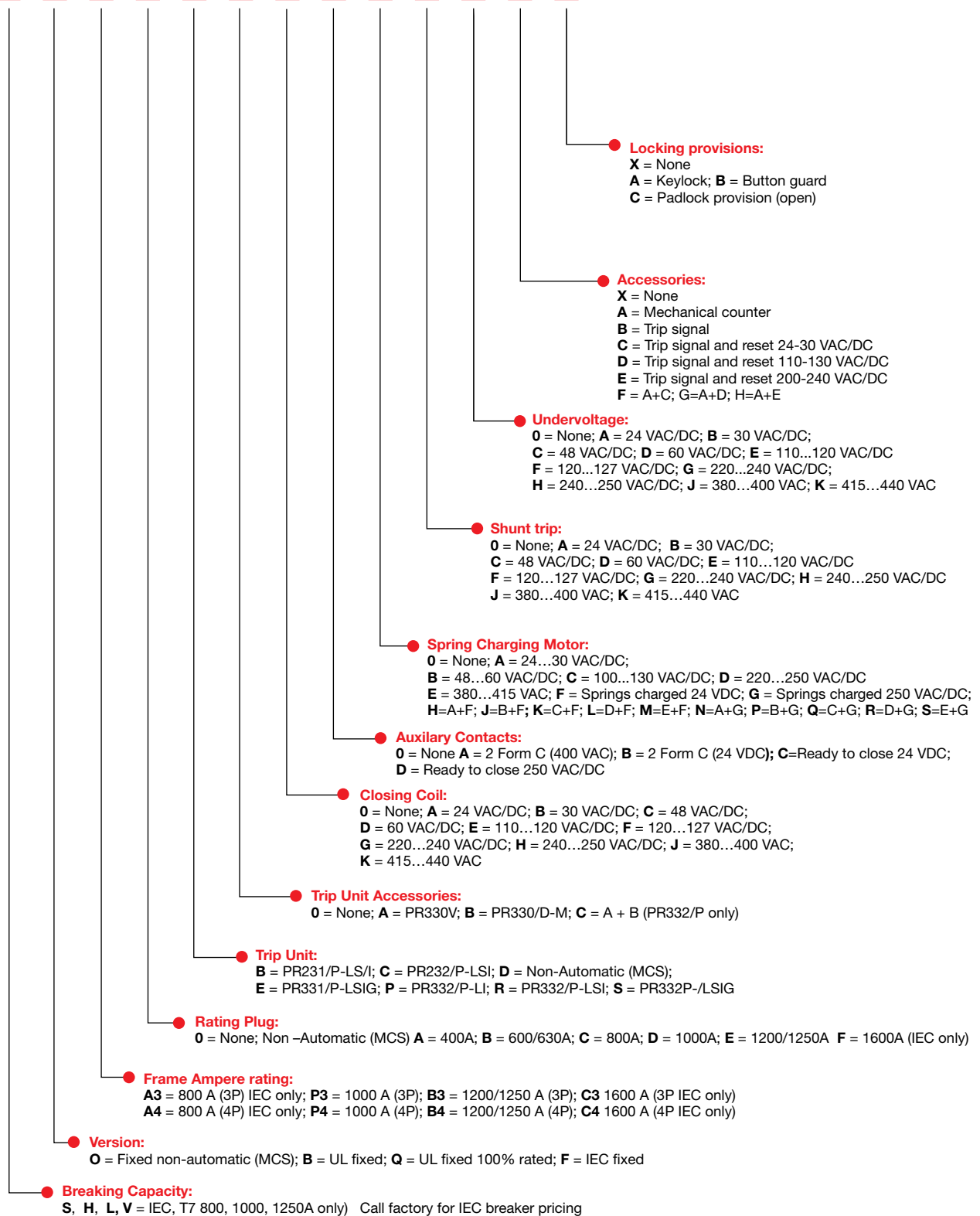
Voltage	S	H	L
230VAC	85	100	200
415VAC	50	70	120
690VAC	30	42	50

T7M

1000A, 1200A, 600V Δ

Electronic

T 7 M



T7M

1000A, 1200A, 600V Δ - Three Pole Electronic

Tmax
MCCBs

T7M-S, 1000A, 600V

Electronic

Breaker	IC at 480VAC kA	Trip unit	3 pole, 600V catalog number	List price
T7M-S	50	PR231/P-LS/I	T7MSBP3DB000000XX	\$ 11,264
		PR232/P-LSI	T7MSBP3DC000000XX	11,524
		PR331/P-LSIG	T7MSBP3DE000000XX	13,447
		PR332/P-LI	T7MSBP3DP000000XX	11,916
		PR332/P-LSI	T7MSBP3DR000000XX	13,066
		PR332/P-LSIG	T7MSBP3DS000000XX	14,497

T7M-H, 1000A, 600V

Electronic

Breaker	IC at 480VAC kA	Trip unit	3 pole, 600V catalog number	List price
T7M-H	65	PR231/P-LS/I	T7MHBP3DB000000XX	\$ 11,937
		PR232/P-LSI	T7MHBP3DC000000XX	12,197
		PR331/P-LSIG	T7MHBP3DE000000XX	14,120
		PR332/P-LI	T7MHBP3DP000000XX	12,589
		PR332/P-LSI	T7MHBP3DR000000XX	13,739
		PR332/P-LSIG	T7MHBP3DS000000XX	15,170

T7M-L, 1000A, 600V

Electronic

Breaker	IC at 480VAC kA	Trip unit	3 pole, 600V catalog number	List price
T7M-L	100	PR231/P-LS/I	T7MLBP3DB000000XX	\$ 12,299
		PR232/P-LSI	T7MLBP3DC000000XX	12,870
		PR331/P-LSIG	T7MLBP3DE000000XX	14,793
		PR332/P-LI	T7MLBP3DP000000XX	13,262
		PR332/P-LSI	T7MLBP3DR000000XX	14,412
		PR332/P-LSIG	T7MLBP3DS000000XX	15,842

T7M-S, 1200A, 600V

Electronic

Breaker	IC at 480VAC kA	Trip unit	3 pole, 600V catalog number	List price
T7M-S	50	PR231/P-LS/I	T7MSBB3EB000000XX	\$ 15,208
		PR232/P-LSI	T7MSBB3EC000000XX	15,469
		PR331/P-LSIG	T7MSBB3EE000000XX	17,392
		PR332/P-LI	T7MSBB3EP000000XX	15,861
		PR332/P-LSI	T7MSBB3ER000000XX	17,009
		PR332/P-LSIG	T7MSBB3ES000000XX	18,441

T7M-H, 1200A, 600V

Electronic

Breaker	IC at 480VAC kA	Trip unit	3 pole, 600V catalog number	List price
T7M-H	65	PR231/P-LS/I	T7MHBB3EB000000XX	\$ 16,129
		PR232/P-LSI	T7MHBB3EC000000XX	16,390
		PR331/P-LSIG	T7MHBB3EE000000XX	18,313
		PR332/P-LI	T7MHBB3EP000000XX	16,782
		PR332/P-LSI	T7MHBB3ER000000XX	17,930
		PR332/P-LSIG	T7MHBB3ES000000XX	19,363

T7M-L, 1200A, 600V

Electronic

Breaker	IC at 480VAC kA	Trip unit	3 pole, 600V catalog number	List price
T7M-L	100	PR231/P-LS/I	T7MLBB3EB000000XX	\$ 17,050
		PR232/P-LSI	T7MLBB3EC000000XX	17,311
		PR331/P-LSIG	T7MLBB3EE000000XX	19,234
		PR332/P-LI	T7MLBB3EP000000XX	17,703
		PR332/P-LSI	T7MLBB3ER000000XX	18,852
		PR332/P-LSIG	T7MLBB3ES000000XX	20,284

16

T7M

1000A, 1200A, 600V Δ - Three Pole

Electronic 100% Rated

T7M-S, 1000A, 600V

Electronic

Breaker	IC at 480VAC kA	Trip unit	3 pole, 600V catalog number	List price
T7M-S	50	PR231/P-LS/I	T7MSQP3DB000000XX	\$ 12,390
		PR232/P-LSI	T7MSQP3DC000000XX	12,676
		PR331/P-LSIG	T7MSQP3DE000000XX	14,792
		PR332/P-LI	T7MSQP3DP000000XX	13,108
		PR332/P-LSI	T7MSQP3DR000000XX	14,373
		PR332/P-LSIG	T7MSQP3DS000000XX	15,947

T7M-H, 1000A, 600V

Electronic

Breaker	IC at 480VAC kA	Trip unit	3 pole, 600V catalog number	List price
T7M-H	65	PR231/P-LS/I	T7MHQP3DB000000XX	\$ 13,131
		PR232/P-LSI	T7MHQP3DC000000XX	13,417
		PR331/P-LSIG	T7MHQP3DE000000XX	15,532
		PR332/P-LI	T7MHQP3DP000000XX	13,848
		PR332/P-LSI	T7MHQP3DR000000XX	15,113
		PR332/P-LSIG	T7MHQP3DS000000XX	16,687

T7M-L, 1000A, 600V

Electronic

Breaker	IC at 480VAC kA	Trip unit	3 pole, 600V catalog number	List price
T7M-L	100	PR231/P-LS/I	T7MLQP3DB000000XX	\$ 13,529
		PR232/P-LSI	T7MLQP3DC000000XX	14,157
		PR331/P-LSIG	T7MLQP3DE000000XX	16,272
		PR332/P-LI	T7MLQP3DP000000XX	14,588
		PR332/P-LSI	T7MLQP3DR000000XX	15,853
		PR332/P-LSIG	T7MLQP3DS000000XX	17,426

T7M-S, 1200A, 600V

Electronic

Breaker	IC at 480VAC kA	Trip unit	3 pole, 600V catalog number	List price
T7M-S	50	PR231/P-LS/I	T7MSQB3EB000000XX	\$ 16,729
		PR232/P-LSI	T7MSQB3EC000000XX	17,016
		PR331/P-LSIG	T7MSQB3EE000000XX	19,131
		PR332/P-LI	T7MSQB3EP000000XX	17,447
		PR332/P-LSI	T7MSQB3ER000000XX	18,710
		PR332/P-LSIG	T7MSQB3ES000000XX	20,285

T7M-H, 1200A, 600V

Electronic

Breaker	IC at 480VAC kA	Trip unit	3 pole, 600V catalog number	List price
T7M-H	65	PR231/P-LS/I	T7MQB3EB000000XX	\$ 17,742
		PR232/P-LSI	T7MQB3EC000000XX	18,029
		PR331/P-LSIG	T7MQB3EE000000XX	20,144
		PR332/P-LI	T7MQB3EP000000XX	18,460
		PR332/P-LSI	T7MQB3ER000000XX	19,723
		PR332/P-LSIG	T7MQB3ES000000XX	21,299

T7M-L, 1200A, 600V

Electronic

Breaker	IC at 480VAC kA	Trip unit	3 pole, 600V catalog number	List price
T7M-L	100	PR231/P-LS/I	T7MLQB3EB000000XX	\$ 18,755
		PR232/P-LSI	T7MLQB3EC000000XX	19,042
		PR331/P-LSIG	T7MLQB3EE000000XX	21,157
		PR332/P-LI	T7MLQB3EP000000XX	19,473
		PR332/P-LSI	T7MLQB3ER000000XX	20,737
		PR332/P-LSIG	T7MLQB3ES000000XX	22,312

T7M

1000A, 1200A, 600V Δ - Four Pole Electronic

Tmax
MCCBs

T7M-S, 1000A, 600V

Electronic

Breaker	IC at 480VAC kA	Trip unit	4 pole, 600V catalog number	List price
T7M-S	50	PR231/P-LS/I	T7MSBP4DB000000XX	\$ 15,206
		PR232/P-LSI	T7MSBP4DC000000XX	15,557
		PR331/P-LSIG	T7MSBP4DE000000XX	18,153
		PR332/P-LI	T7MSBP4DP000000XX	16,087
		PR332/P-LSI	T7MSBP4DR000000XX	17,639
		PR332/P-LSIG	T7MSBP4DS000000XX	19,571

T7M-H, 1000A, 600V

Electronic

Breaker	IC at 480VAC kA	Trip unit	4 pole, 600V catalog number	List price
T7M-H	65	PR231/P-LS/I	T7MHBP4DB000000XX	\$ 16,115
		PR232/P-LSI	T7MHBP4DC000000XX	16,466
		PR331/P-LSIG	T7MHBP4DE000000XX	19,062
		PR332/P-LI	T7MHBP4DP000000XX	16,995
		PR332/P-LSI	T7MHBP4DR000000XX	18,548
		PR332/P-LSIG	T7MHBP4DS000000XX	20,480

T7M-L, 1000A, 600V

Electronic

Breaker	IC at 480VAC kA	Trip unit	4 pole, 600V catalog number	List price
T7M-L	100	PR231/P-LS/I	T7MLBP4DB000000XX	\$ 16,604
		PR232/P-LSI	T7MLBP4DC000000XX	17,375
		PR331/P-LSIG	T7MLBP4DE000000XX	19,971
		PR332/P-LI	T7MLBP4DP000000XX	17,904
		PR332/P-LSI	T7MLBP4DR000000XX	19,456
		PR332/P-LSIG	T7MLBP4DS000000XX	21,387

T7M-S, 1200A, 600V

Electronic

Breaker	IC at 480VAC kA	Trip unit	4 pole, 600V catalog number	List price
T7M-S	50	PR231/P-LS/I	T7MSBB4EB000000XX	\$ 20,531
		PR232/P-LSI	T7MSBB4EC000000XX	20,883
		PR331/P-LSIG	T7MSBB4EE000000XX	23,479
		PR332/P-LI	T7MSBB4EP000000XX	21,412
		PR332/P-LSI	T7MSBB4ER000000XX	22,962
		PR332/P-LSIG	T7MSBB4ES000000XX	24,895

T7M-H, 1200A, 600V

Electronic

Breaker	IC at 480VAC kA	Trip unit	4 pole, 600V catalog number	List price
T7M-H	65	PR231/P-LS/I	T7MHBB4EB000000XX	\$ 21,774
		PR232/P-LSI	T7MHBB4EC000000XX	22,127
		PR331/P-LSIG	T7MHBB4EE000000XX	24,723
		PR332/P-LI	T7MHBB4EP000000XX	22,656
		PR332/P-LSI	T7MHBB4ER000000XX	24,206
		PR332/P-LSIG	T7MHBB4ES000000XX	26,140

T7M-L, 1200A, 600V

Electronic

Breaker	IC at 480VAC kA	Trip unit	4 pole, 600V catalog number	List price
T7M-L	100	PR231/P-LS/I	T7MLBB4EB000000XX	\$ 23,018
		PR232/P-LSI	T7MLBB4EC000000XX	23,370
		PR331/P-LSIG	T7MLBB4EE000000XX	25,966
		PR332/P-LI	T7MLBB4EP000000XX	23,899
		PR332/P-LSI	T7MLBB4ER000000XX	25,450
		PR332/P-LSIG	T7MLBB4ES000000XX	27,383

16

T7M

1000A, 1200A, 600V Δ - Four Pole

Electronic 100% Rated

T7M-S, 1000A, 600V

Electronic

Breaker	IC at 480VAC kA	Trip unit	4 pole, 600V catalog number	List price
T7M-S	50	PR231/P-LS/I	T7MSQP4DB000000XX	\$ 16,727
		PR232/P-LSI	T7MSQP4DC000000XX	17,113
		PR331/P-LSIG	T7MSQP4DE000000XX	19,969
		PR332/P-LI	T7MSQP4DP000000XX	17,695
		PR332/P-LSI	T7MSQP4DR000000XX	19,403
		PR332/P-LSIG	T7MSQP4DS000000XX	21,528

T7M-H, 1000A, 600V

Electronic

Breaker	IC at 480VAC kA	Trip unit	4 pole, 600V catalog number	List price
T7M-H	65	PR231/P-LS/I	T7MHQP4DB000000XX	\$ 17,726
		PR232/P-LSI	T7MHQP4DC000000XX	18,113
		PR331/P-LSIG	T7MHQP4DE000000XX	20,968
		PR332/P-LI	T7MHQP4DP000000XX	18,695
		PR332/P-LSI	T7MHQP4DR000000XX	20,402
		PR332/P-LSIG	T7MHQP4DS000000XX	22,527

T7M-L, 1000A, 600V

Electronic

Breaker	IC at 480VAC kA	Trip unit	4 pole, 600V catalog number	List price
T7M-L	100	PR231/P-LS/I	T7MLQP4DB000000XX	\$ 18,264
		PR232/P-LSI	T7MLQP4DC000000XX	19,112
		PR331/P-LSIG	T7MLQP4DE000000XX	21,968
		PR332/P-LI	T7MLQP4DP000000XX	19,694
		PR332/P-LSI	T7MLQP4DR000000XX	21,402
		PR332/P-LSIG	T7MLQP4DS000000XX	23,525

T7M-S, 1200A, 600V

Electronic

Breaker	IC at 480VAC kA	Trip unit	4 pole, 600V catalog number	List price
T7M-S	50	PR231/P-LS/I	T7MSQB4EB000000XX	\$ 22,584
		PR232/P-LSI	T7MSQB4EC000000XX	22,971
		PR331/P-LSIG	T7MSQB4EE000000XX	25,827
		PR332/P-LI	T7MSQB4EP000000XX	23,554
		PR332/P-LSI	T7MSQB4ER000000XX	25,258
		PR332/P-LSIG	T7MSQB4ES000000XX	27,385

T7M-H, 1200A, 600V

Electronic

Breaker	IC at 480VAC kA	Trip unit	4 pole, 600V catalog number	List price
T7M-H	65	PR231/P-LS/I	T7MHQB4EB000000XX	\$ 23,952
		PR232/P-LSI	T7MHQB4EC000000XX	24,339
		PR331/P-LSIG	T7MHQB4EE000000XX	27,195
		PR332/P-LI	T7MHQB4EP000000XX	24,921
		PR332/P-LSI	T7MHQB4ER000000XX	26,626
		PR332/P-LSIG	T7MHQB4ES000000XX	28,754

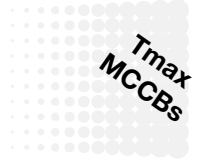
T7M-L, 1200A, 600V

Electronic

Breaker	IC at 480VAC kA	Trip unit	4 pole, 600V catalog number	List price
T7M-L	100	PR231/P-LS/I	T7MLQB4EB000000XX	\$ 25,319
		PR232/P-LSI	T7MLQB4EC000000XX	25,707
		PR331/P-LSIG	T7MLQB4EE000000XX	28,562
		PR332/P-LI	T7MLQB4EP000000XX	26,289
		PR332/P-LSI	T7MLQB4ER000000XX	27,995
		PR332/P-LSIG	T7MLQB4ES000000XX	30,122

T7M

1200A, 600V Δ - Molded Case Switch

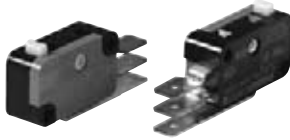


T7
1200A, 600V
Molded case switch

Breaker	IC at 480VAC kA	Amp	Magnetic override	3 pole, 600VAC catalog number	List price
T7M-H	-	1200	20,000	T7MH0B30D000000XX	Consult factory

Call for availability!

Accessories Electrical T7M



Closing coils ①		Factory installation list price adder	Field installation catalog number	Field installation list price
T7M	415...440 VAC 380...400 VAC 240...250 VAC/DC 220...240 VAC/DC 120...127 VAC/DC 110...120 VAC/VDC 60 VAC/DC 48 VAC/DC 30 VAC/DC 24 VAC/DC	\$ 535	KT7MXC1 KT7MXC2 KT7MXC3 KT7MXC4 KT7MXC5 KT7MXC6 KT7MXC7 KT7MXC8 KT7MXC9 KT7MXC0	\$ 490

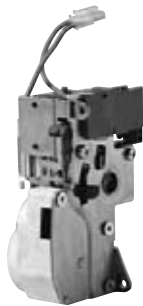
Auxiliary contacts		Factory installation list price adder	Field installation catalog number	Field installation list price
T7/T7M	2 Form C 400 VAC 2 Form C 24 VDC	\$ 446	KT7XAS2 KT7XAS2-AU	\$ 396

Ready to close auxiliaries (IEC)		Factory installation list price adder	Field installation catalog number	Field installation list price
T7M	24 VDC 250 VAC/DC	\$ 726	KT7MX-RTC24V KT7MX-RTC250V	\$ 676

Signals the circuit breaker is ready to accept a close signal if the following five conditions are met:

- Circuit breaker is open
- Closing springs are charged
- Any opening coil de-energized
- Any undervoltage coil energized
- Opening solenoid armed

Trip signal		Field/factory installation catalog number	Field/factory installation list price adder
T7M	Contact for signalling electronic trip unit tripped ②	KT7MTS	\$ 295



KT7MXM*

Spring charging motor ①		Factory installation list price adder	Field installation catalog number	Field installation list price
T7M	380...415 VAC 220...250 VAC/DC 100...130 VAC/DC 48...60 VAC/DC 24...30 VAC/DC	\$ 1917	KT7MXM2 KT7MXM3 KT7MXM5 KT7MXM7 KT7MXM9	\$ 1867

Spring charged contacts (IEC)		Factory installation list price adder	Field installation catalog number	Field installation list price
T7M	Contact signalling springs charged 24 VDC Contact signalling springs charged 250 VAC/DC	\$ 361	KT7MX-SC24V KT7MX-SC250V	\$ 311

Stunt trip		Factory installation list price adder	Field installation catalog number	Field installation list price
T7/T7M	415...440 VAC 380...400 VAC 240...250 VAC/DC 220...240 VAC/DC 120...127 VAC/DC 110...120 VAC/DC 60 VAC/DC 48 VAC/DC 30 VAC/DC 24 VAC/DC	\$ 535	KT7XS1 KT7XS2 KT7XS3 KT7XS4 KT7XS5 KT7XS6 KT7XS7 KT7XS8 KT7XS9 KT7XS0	\$ 490

Undervoltage		Factory installation list price adder	Field installation catalog number	Field installation list price
T7/T7M	415...440 VAC 380...400 VAC 240...250 VAC/DC 220...240 VAC/DC 120...127 VAC/DC 110...120 VAC/DC 60 VAC/DC 48 VAC/DC 30 VAC/DC 24 VAC/DC	\$ 535	KT7XU1 KT7XU2 KT7XU3 KT7XU4 KT7XU5 KT7XU6 KT7XU7 KT7XU8 KT7XU9 KT7XU0	\$ 490

Trip reset (IEC)		Factory installation list price adder	Field installation catalog number	Field installation list price
T7M	Trip reset command 24-30 VAC/DC Trip reset command 110-130 VAC/DC Trip reset command 200-240 VAC/DC	\$ 818	KT7MX-TR9 KT7MX-TR5 KT7MX-TR4	\$ 768

Allows remote circuit breaker resetting following a trip of the overcurrent release

- ① Not Suitable for T7 toggle version.
② Always supplied with PR332/P trip units



KT7XU*

Accessories Mechanical T7M

Tmax
MCCBs

Terminal lugs

Frame Sizer	Wire Size	Catalog number (3 pieces)	List Price	Catalog number (4 pieces)	List Price
T7/T7M ①	(4) 4/0-500 kxmil	KT7X1200-3 ①	\$ 560	KT7X1200-4 ①	\$ 747

Terminal covers - Low profile - kit includes two pieces-fixed breakers

Frame Sizer	Catalog number (3 pole)	List Price	Catalog number (4 pole)	List Price
T7/T7M ②	KT7XLTC-3	\$ 80	KT7XLTC-4	\$ 108

Terminal covers - High profile - kit includes two pieces

Frame Sizer	Catalog number (3 pole)	List Price	Catalog number (4 pole)	List Price
T7/T7M	KT7XHTC-3	\$ 90	KT7XHTC-4	\$ 115

Phase barriers - Low profile 100mm - 3.93 in

Frame Sizer	Catalog number 4 pcs (3 pole)	List Price	Catalog number 6 pcs (4 pole)	List Price
T7/T7M	KT7PBL-3 ②	\$ 50	KT7PBL-4	\$ 68

Phase barriers - High profile 200mm - 7.87 in

Frame	Catalog number 4 pcs (3 pole)	List Price	Catalog number 6 pcs (4 pole)	List Price
T7/T7M	KT7PBH-3	\$ 67	KT7PBH-4	\$ 90

Mechanical operation counter ③

Frame	Field/factory installation catalog number	Field/factory installation list price
T7M	Mechanical counter ③	KT7MXMC \$ 866

Transparent protection for buttons ③

Frame	Field/factory installation catalog number	Field/factory installation list price
T7M	Button Guard ③	KT7MXPB \$ 112

Padlock provision ③

Frame	Field/factory installation catalog number	Field/factory installation list price
T7M	Padlock-open ③	KT7MXLDO \$ 260

Key locks

Frame Sizer	Key lock open position	Field/factory installation catalog number	Field/factory installation list price
T7M	Key lock on breaker open position key lock # 20005 ③	KT7MKL2	\$ 121
	Key lock on breaker open position different keys ③	KT7MKL1	121

Mechanical interlock

Frame	Catalog part number	List price
T7M/T7M	Cable T7	KT7XMLC \$ 270
	Mechanical interlock plate - drawout	KT7XMLPW 670
	Mechanical interlock plate - fixed	KT7XMLPF 670

IP54 door protection ③

Frame	Field Installation catalog number	List price
T7M	Protective cover ③	KT7MXDC \$ 1,200

① Comes standard with high profile terminal covers.

② Fixed breakers only

③ Not Suitable for T7 toggle version



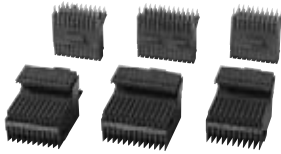
KT7XPG



KT7MKL*



Accessories Mechanical T7M



Sliding Contacts

Draw-out kits

Frame	Adaptor moving part	List price	Fixed Part	List price
T7M 3 Pole with horizontal/vertical terminals	KT7XWMK	\$ 755	KT7WFHR	\$ 2,567

Sliding contact blocks

T7M - Drawout	Moving part breaker	List price	Fixed part cradle	List price
Left Block Spring charging motor Spring charged contact Ready to close contact Early auxiliary contact Contact for trip coil trip release Trip reset	KT7XSCMP-L	\$ 160	KT7XSCFP-L	\$ 310
Center Block PR331 PR332	KT7XSCMP-C	160	KT7XSCFP-C	310
Right Block Auxiliary contacts Shunt trip Closing coil Undervoltage release	KT7XSCMP-R	160	KT7XSCFP-R	310

If at least one of the accessories in the table is installed on the breaker - respective pair of contact blocks must be installed on the fixed part (cradle) and the moving part (breaker)

Position key lock

Locks drawout breaker in racked-in/test-isolated/racked-out	Catalog number	List price
Key #20005 Different keys	KT7XPL2 KT7XPL1	\$ 252

Position lock accessory

Added to position lock allows breaker to be locked in racked out position only	Catalog number	List price
Position lock accessory	KT7XPLA	\$ 35

Rating plugs (UL)

T7/T7M	400A Rating plug 600A Rating plug 800A Rating plug 1000A Rating plug 1200A Rating plug	Catalog number KT7X0400RP KT7X0600RP KT7X0800RP KT7X1000RP KT7X1200RP	Field installation List price \$ 125
--------	--	--	--

Modules for T7M PR332 trip units

T7/T7M	Voltage module ① Communication module (Modbus RTU)	Catalog number PR330/VT7MX1 PR330/D-M	Factory installation list price adder \$ 5,050 4,500	Field installation list price — \$ 4,500
--------	---	---	--	---

External units

T7/T7M	Battery power supply unit ② External Bluetooth communication module Includes diagnostic software for Modbus/Bluetooth networks Test configuration unit Allows tripping of all electronic trip units for Tmax (except PR33x)	Catalog number PR030/B BT030 PR010/T K7TUT	Field installation list price \$ 275 3335 12,500 210
--------	---	--	--



PR330/D-M

Technical data T7/T7M

Shunt tips, closing coil, Undervoltage & spring charging motor

Tmax
MCCBs

Standard shunt trip

Inrush Power Consumption	T7/T7M	
	AC (VA)	DC (W)
Voltage		
24 VAC/DC	300	300
30 VAC/DC	300	300
48 VAC/DC	300	300
60 VAC/DC	300	300
110...120 VAC/DC	300	300
120...127 VAC/DC	300	300
220...240 VAC/DC	300	300
240...240 VAC/DC	300	300
380...400 VAC	300	—
415...440 VAC	300	—
Opening time (ms)	20	20

Undervoltage

Inrush Power Consumption	T7/T7M	
	AC (VA)	DC (W)
Voltage		
24 VAC/DC	3.5	3.5
30 VAC/DC	3.5	3.5
110...120 VAC/DC	3.5	3.5
120...127 VAC/DC	3.5	3.5
220...240 VAC	3.5	3.5
240...250 VAC/DC	3.5	3.5
380...400 VAC	3.5	—
415...440 VAC	3.5	—
Opening time (ms)	≤ 25	≤ 25

Closing coil

Inrush Power Consumption	T7M	
	AC (VA)	DC (W)
Voltage		
24 VAC/DC	300	300
30 VAC/DC	300	300
48 VAC/DC	300	300
60 VAC/DC	300	300
110...120 VAC/DC	300	300
120...127 VAC/DC	300	300
220...240 VAC/DC	300	300
240...240 VAC/DC	300	300
380...400 VAC	300	—
415...440 VAC	300	—
Opening time (ms)	20	20

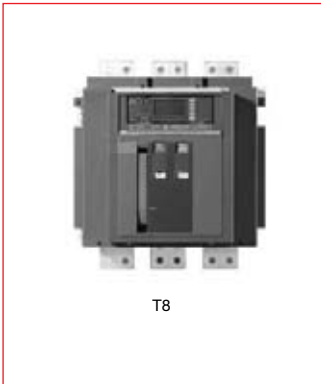
Spring charging motor

Power Consumption	T7M	
	AC (VA)	DC (W)
Voltage		
24...30 VAC/DC	≤ 100	≤ 100
48...60 VAC/DC	≤ 100	≤ 100
100...130 VAC/DC	≤ 100	≤ 100
220...250 VAC/DC	≤ 100	≤ 100
380...415 VAC	≤ 100	—
Opening voltage (% Un)	85-110	85-110
Charging time (s)	8-10	8-10

T8

1600/2000/2500/3000A, 600VAC Δ

Electronic trip



Dimensions 3P Fixed Version 15.0H x 16.8W x 11.2D

Weight 161 lbs (1600, 2000, 2500A)
236 lbs (3000A)

General

The T8 is available in a 1600A, 2000A, 2500A, 3000A frame with a microprocessor over current protective trip system.

Standards

The UL489/CSA 22.2 version of the T8 also carries an IEC-60947-2 rating.

Versions

To meet all application requirements the T8 is available in the following versions:

- C = Adjustable LSI PR232/P-T8 Dip switch settings
- D = Molded Case Switch
- E = Adjustable LSIG PR331/P Dip switch settings
- P = Adjustable LI PR332/P LCD Display
- R = Adjustable LSI PR332/P LCD Display
- S = Adjustable LSIG PR332/P LCD Display

Trip functions

These trip functions are available:

- L = Long time
- S = Short time
- I = Instantaneous
- G = Ground fault

Performance levels

Each version is also available at the following maximum fault interrupting level:

- V = Very high

UL489/CSA C22.2 Interrupting capacity (kA RMS)

Voltage	V
240VAC	125
480VAC	125
600VAC	100
DC	—

IEC 60947-2 Interrupting capacity (kA RMS)

Voltage	V
230VAC	130
415VAC	130
440VAC	100
690VAC	80
DC	—

16 Number of poles

The T8 is available in three and four pole versions.

General Information

Catalog number explanation

Tmax
MCCBs

T 8 V

Locking provisions:

X = None; **A** = Keylock
B = Button guard
C = Padlock Provision
D = A+B; **E** = A+C

Accessories

X = None; **A** = Mechanical counter; **B** = Bell Alarm
C = Bell Alarm w/remote reset, 24..30 VAC/DC
D = Bell Alarm w/remote reset 110..130 VAC/DC
E = Bell Alarm w/remote reset 220..240 VAC/DC
F = A+B; **G** = A+C; **H** = A+D; **J** = A+E

Undervoltage

0 = None
A = 24 VDC; **B** = 30 VAC/DC
C = 48 VAC/DC; **D** = 60 VAC/DC
E = 110..120 VAC/DC; **F** = 125..127 VAC/DC
G = 220..240 VAC/DC; **H** = 250 VAC/DC
J = 380..400 VAC; **K** = 440 VAC

Second shunt trip:

L = 24 VDC; **M** = 30 VAC/DC
N = 48 VAC/DC; **P** = 60 VAC/DC
Q = 110..120 VAC/DC; **R** = 125..127 VAC/DC
S = 220..240 VAC/DC; **T** = 250 VAC/DC
U = 380..400 VAC; **V** = 440..480 VAC

Shunt trip

0 = None
A = 24 VDC; **B** = 30 VAC/DC; **C** = 48 VAC/DC;
D = 60 VAC/DC; **E** = 110..120 VAC/DC
F = 120..127 VAC/DC; **G** = 220..240 VAC/DC;
H = 240..250 VAC/DC; **J** = 380..400 VAC;
K = 440 VAC

Spring charging Motor:

0 = None
A = 24..30 VAC/DC; **B** = 48..60 VAC/DC;
C = 100..130 VAC/DC; **D** = 220..250 VAC/DC

Contacts:

0 = None
A = 4 aux contacts; (supplied as standard for breakers with PR332 trip units)
B = 4 aux contacts digital (24V)
D = UV energ NO; **E** = UV energ NC;
F = A+D; **G** = A+E; **H** = B+D; **I** = B+E

Closing Coil:

0 = None
A = 24 VDC; **B** = 30 VAC/DC; **C** = 48 VAC/DC; **D** = 60 VAC/DC; **E** = 110..120 VAC/DC;
F = 120..127 VAC/DC; **G** = 220..240 AC/DC; **H** = 240..250 VAC/DC; **J** = 380..400 VAC; **K** = 440VAC

Trip Unit Accessories: PR332/P ONLY

0 = None
B = Voltage measuring module; **C** = Modbus module

Trip Unit:

C = PR232/P-T8-LSI; **D** = Non-Automatic (MCS); **E** = PR331/P-LSIG;
P = PR332/P-LI; **R** = PR332/P-LSI; **S** = PR332/P-LSIG

Rating Plug:

D = 1000; **E** = 1200; **F** = 1600; **G** = 2000; **H** = 2500; **J** = 3000, 3200; **0** = Non-Automatic (MCS)

Frame Amp Rating:

C3 = 1600 (3P UL only); **D3** = 2000 (3P); **E3** = 2500 (3P); **F3** = 3000 UL/3200 IEC (3P)
C4 = 1600 (4P UL only); **D4** = 2000 (4P); **E4** = 2500 (4P); **F4** = 3000 UL/3200 IEC (4P)

Version:

B = UL Fixed; **Q** = UL Fixed 100% Rated; **0** = Fixed Non-Automatic (MCS)

Breaking capacity:

V = Very High; **L** (IEC only. Call factory for IEC breaker pricing.)

T8

1600/2000/2500/3000A 600VΔ - Three Pole Electronic (AC Only)

1600A Frame, electronic trip unit (AC only) standard horizontal terminals

Breaker	IC at 480VAC kA	Trip Unit	3 pole, 600V catalog number	List price
T8V	125	PR232 LSI (Dip Switch)	T8VBC3FC000000XX	\$ 21,244
		PR331 LSI (Dip Switch)	T8VBC3FE000000XX	24,016
		PR332 LI (LCD)	T8VBC3FP00A000XX ①	24,972
		PR332 LSI (LCD)	T8VBC3FR00A000XX ①	25,866
		PR332 LSI (LCD)	T8VBC3FS00A000XX ①	27,346

2000A Frame, electronic trip unit (AC only) standard horizontal terminals

Breaker	IC at 480VAC kA	Trip Unit	3 pole, 600V catalog number	List price
T8V	125	PR232 LSI (Dip Switch)	T8VBD3GC000000XX	\$ 24,922
		PR331 LSI (Dip Switch)	T8VBD3GE000000XX	27,414
		PR332 LI (LCD)	T8VBD3GP00A000XX ①	28,434
		PR332 LSI (LCD)	T8VBD3GR00A000XX ①	29,359
		PR332 LSI (LCD)	T8VBD3GS00A000XX ①	30,839

2500A Frame, electronic trip unit (AC only) standard horizontal terminals

Breaker	IC at 480VAC kA	Trip Unit	3 pole, 600V catalog number	List price
T8V	125	PR232 LSI (Dip Switch)	T8VBE3HC000000XX	\$ 33,577
		PR331 LSI (Dip Switch)	T8VBE3HE000000XX	37,213
		PR332 LI (LCD)	T8VBE3HP00A000XX ①	38,416
		PR332 LSI (LCD)	T8VBE3HR00A000XX ①	39,433
		PR332 LSI (LCD)	T8VBE3HS00A000XX ①	40,595

3000A Frame, electronic trip unit (AC only) standard with vertical terminals - Required

Breaker	IC at 480VAC kA	Trip Unit	3 pole, 600V catalog number	List price
T8V	125	PR232 LSI (Dip Switch)	T8VBF3JC000000XX	\$ 56,472
		PR331 LSI (Dip Switch)	T8VBF3JE000000XX	60,618
		PR332 LI (LCD)	T8VBF3JP00A000XX ①	61,185
		PR332 LSI (LCD)	T8VBF3JR00A000XX ①	62,431
		PR332 LSI (LCD)	T8VBF3JS00A000XX ①	63,911

① Includes 4 open/closed auxiliary contacts as standard

T8

1600/2000/2500/3000A 600VΔ - Three Pole Electronic (AC Only) 100% Rated

Tmax
MCCBs

1600A Frame, electronic trip unit (AC only) standard horizontal terminals

Breaker	IC at 480VAC kA	Trip Unit	3 pole, 600V catalog number	List price
T8V	125	PR232 LSI (Dip Switch)	T8VQC3FC000000XX	\$ 23,368
		PR331 LSI (Dip Switch)	T8VQC3FE000000XX	26,418
		PR332 LI (LCD)	T8VQC3FP00A000XX ①	27,469
		PR332 LSI (LCD)	T8VQC3FR00A000XX ①	28,453
		PR332 LSI (LCD)	T8VQC3FS00A000XX ①	30,080

2000A Frame, electronic trip unit (AC only) standard horizontal terminals

Breaker	IC at 480VAC kA	Trip Unit	3 pole, 600V catalog number	List price
T8V	125	PR232 LSI (Dip Switch)	T8VQD3GC000000XX	\$ 27,414
		PR331 LSI (Dip Switch)	T8VQD3GE000000XX	30,155
		PR332 LI (LCD)	T8VQD3GP00A000XX ①	31,277
		PR332 LSI (LCD)	T8VQD3GP00A000XX ①	32,295
		PR332 LSI (LCD)	T8VQD3GR00A000XX ①	33,923

2500A Frame, electronic trip unit (AC only) standard with vertical terminals - Required

Breaker	IC at 480VAC kA	Trip Unit	3 pole, 600V catalog number	List price
T8V	125	PR232 LSI (Dip Switch)	T8VQE3HC000000XX	\$ 36,934
		PR331 LSI (Dip Switch)	T8VQE3HE000000XX	40,934
		PR332 LI (LCD)	T8VQE3HP00A000XX ①	42,258
		PR332 LSI (LCD)	T8VQE3HR00A000XX ①	43,376
		PR332 LSI (LCD)	T8VQE3HS00A000XX ①	44,655

3000A Frame, electronic trip unit (AC only) standard with vertical terminals - Required

Breaker	IC at 480VAC kA	Trip Unit	3 pole, 600V catalog number	List price
T8V	125	PR232 LSI (Dip Switch)	T8VQF3JC000000XX	\$ 62,119
		PR331 LSI (Dip Switch)	T8VQF3JE000000XX	66,680
		PR332 LI (LCD)	T8VQF3JP00A000XX ①	67,304
		PR332 LSI (LCD)	T8VQF3JR00A000XX ①	68,674
		PR332 LSI (LCD)	T8VQF3JS00A000XX ①	70,302

① Includes 4 open/closed auxiliary contacts as standard

T8

1600/2000/2500/3000A 600VΔ — Four pole Electronic (AC Only)

1600A Frame, electronic trip unit (AC only) standard horizontal terminals

Breaker	IC at 480VAC kA	Trip Unit	4 pole, 600V catalog number	List price
T8V	125	PR232 LSI (Dip Switch)	T8VBC4FC000000XX	\$ 28,679
		PR331 LSI (Dip Switch)	T8VBC4FE000000XX	32,422
		PR332 LI (LCD)	T8VBC4FP00A000XX ①	33,713
		PR332 LSI (LCD)	T8VBC4FR00A000XX ①	34,919
		PR332 LSI (LCD)	T8VBC4FS00A000XX ①	36,917

2000A Frame, electronic trip unit (AC only) standard horizontal terminals

Breaker	IC at 480VAC kA	Trip Unit	4 pole, 600V catalog number	List price
T8V	125	PR232 LSI (Dip Switch)	T8VBD4GC000000XX	\$ 33,645
		PR331 LSI (Dip Switch)	T8VBD4GE000000XX	37,009
		PR332 LI (LCD)	T8VBD4GP00A000XX ①	38,386
		PR332 LSI (LCD)	T8VBD4GR00A000XX ①	39,635
		PR332 LSI (LCD)	T8VBD4GS00A000XX ①	41,632

2500A Frame, electronic trip unit (AC only) standard horizontal terminals

Breaker	IC at 480VAC kA	Trip Unit	4 pole, 600V catalog number	List price
T8V	125	PR232 LSI (Dip Switch)	T8VBE4HC000000XX	\$ 45,329
		PR331 LSI (Dip Switch)	T8VBE4HE000000XX	50,238
		PR332 LI (LCD)	T8VBE4HP00A000XX ①	51,862
		PR332 LSI (LCD)	T8VBE4HR00A000XX ①	53,234
		PR332 LSI (LCD)	T8VBE4HS00A000XX ①	54,803

3000A Frame, electronic trip unit (AC only) standard with vertical terminals - Required

Breaker	IC at 480VAC kA	Trip Unit	4 pole, 600V catalog number	List price
T8V	125	PR232 LSI (Dip Switch)	T8VBF4JC000000XX	\$ 76,237
		PR331 LSI (Dip Switch)	T8VBF4JE000000XX	81,834
		PR332 LI (LCD)	T8VBF4JP00A000XX ①	82,600
		PR332 LSI (LCD)	T8VBF4JR00A000XX ①	84,282
		PR332 LSI (LCD)	T8VBF4JS00A000XX ①	86,280

① Includes 4 open/closed auxiliary contacts as standard

T8

1600/2000/2500/3000A 600VΔ—Four pole Electronic (AC Only) 100% Rated

Tmax
MCCBs

1600A Frame, electronic trip unit (AC only) standard horizontal terminals

Breaker	IC at 480VAC kA	Trip Unit	4 pole, 600V catalog number	List price
T8V	125	PR232 LSI (Dip Switch)	T8VQC4FC000000XX	\$ 31,547
		PR331 LSI (Dip Switch)	T8VQC4FE000000XX	35,664
		PR332 LI (LCD)	T8VQC4FP00A000XX ①	37,084
		PR332 LSI (LCD)	T8VQC4FR00A000XX ①	38,410
		PR332 LSI (LCD)	T8VQC4FS00A000XX ①	40,609

2000A Frame, electronic trip unit (AC only) standard horizontal terminals

Breaker	IC at 480VAC kA	Trip Unit	4 pole, 600V catalog number	List price
T8V	125	PR232 LSI (Dip Switch)	T8VQD4GC000000XX	\$ 37,009
		PR331 LSI (Dip Switch)	T8VQD4GE000000XX	40,710
		PR332 LI (LCD)	T8VQD4GP00A000XX ①	42,224
		PR332 LSI (LCD)	T8VQC4GR00A000XX ①	43,598
		PR332 LSI (LCD)	T8VQD4GS00A000XX ①	45,796

2500A Frame, electronic trip unit (AC only) standard vertical terminals - Required

Breaker	IC at 480VAC kA	Trip Unit	4 pole, 600V catalog number	List price
T8V	125	PR232 LSI (Dip Switch)	T8VQE4HC000000XX	\$ 49,862
		PR331 LSI (Dip Switch)	T8VQE4HE000000XX	55,261
		PR332 LI (LCD)	T8VQE4HP00A000XX ①	57,048
		PR332 LSI (LCD)	T8VQE4HR00A000XX ①	58,558
		PR332 LSI (LCD)	T8VQE4HS00A000XX ①	60,284

3000A Frame, electronic trip unit (AC only) standard with vertical terminals - Required

Breaker	IC at 480VAC kA	Trip Unit	4 pole, 600V catalog number	List price
T8V	125	PR232 LSI (Dip Switch)	T8VQF4JC000000XX	\$ 83,861
		PR331 LSI (Dip Switch)	T8VQF4JE000000XX	90,017
		PR332 LI (LCD)	T8VQF4JP00A000XX ①	90,860
		PR332 LSI (LCD)	T8VQF4JR00A000XX ①	92,710
		PR332 LSI (LCD)	T8VQF4JS00A000XX ①	94,907

① Includes 4 open/closed auxiliary contacts as standard

T8

2000/2500/3000A 600VΔ

Molded Case Switch

T8V-D	
Rated Voltage	
AC	600VAC
DC	—
Magnetic Override	40000

Call for availability!

2000A Frame, standard horizontal terminals

Breaker		3 pole, 600V catalog number	List price
T8V-D		T8V0D30D3000000XX	Consult factory

2500A Frame, standard horizontal terminals

Breaker		3 pole, 600V catalog number	List price
T8V-D		T8V0E30D0000000XX	Consult factory

3000A Frame, standard with vertical terminals - Required

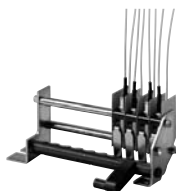
Breaker		3 pole, 600V catalog number	List price
T8V-D		T8V0F30D0000000XX	Consult factory

Accessories Electrical T8

Tmax
MCCBs



KE6C*



KT8A4



KE6M*

UL Rating plugs		Catalog number	List price
T8	1000A Rating plug 1200A Rating plug 1600A Rating plug 2000A Rating plug 2500A Rating plug 3000A Rating plug	KT81000RP KT81200RP KT81600RP KT82000RP KT82500RP KT83000RP	\$ 125
Accessories for trip units		Field/factory installation catalog number	Field/factory installation list price
T8	Communication module (Modbus (RTU) External wireless communication module Power supply unit	PR330/D-M ② BT030 PR030/B	\$ 4,500 3,335 275
	Voltage module, 3 pole ③ Voltage module, 4 pole ③	PR330/V-T83 PR330/V-T84	Consult factory
Current sensor for external neutral		Field installation catalog number	Field installation list price
T8	Current sensor for external neutral 1000A-3000A	KT8NCT	Consult factory
Closing coil		Field/factory installation catalog number	Field/factory installation list price
T8	440 VAC 380...400VAC 240...250 VAC/DC 220...240 VAC/DC 120...127 VAC/DC 110...120 VAC/DC 60 VAC/DC 48 VAC/DC 30 VAC/DC 24 VDC	KE6C1 KE6C2 KE6C3 KE6C4 KE6C5 KE6C6 KE6C7 KE6C8 KE6C9 KE6C0	\$ 374
Auxiliary contacts		Field/factory installation catalog number	Field/factory installation list price
T8	4 open/closed PR232-T8/PR331 4 open/closed PR332 ① 4 open/closed 24V PR232-T8/PR331 4 open/closed 24V PR332	KT8A4 KT8A4-PR332 KT8A4D KT8A4D-PR332	\$ 600
Bell alarm		Field/factory installation catalog number	Field/factory installation list price
T8	Allows visual signaling (mechanical) and remote signaling (electrical) of circuit breaker opening by overcurrent release	DE6TBA	\$ 348
Bell alarm with remote reset command		Field/factory installation catalog number	Field/factory installation list price
T8	Remote setting of circuit breaker after opening by overcurrent release 220-240 VAC/DC	DE6TBAR4	\$ 545
	Remote setting of circuit breaker after opening by overcurrent release 110-130 VAC/DC	DE6TBAR5	
	Remote setting of circuit breaker after opening by overcurrent release 24-30 VAC/DC	DE6TBAR9	
Contact signaling undervoltage de-energized		Field/factory installation catalog number	Field/factory installation list price
T8	NC UV signaling contact NO UV signaling contact	KE6UE01 KE6UE10	\$ 82
Spring charging motor		Field/factory installation catalog number	Field/factory installation list price
T8	24...30 VAC/DC 48...60 VAC/DC 100...130 VAC/DC 220...250 VAC/DC	KE6M9 KE6M7 KE6M5 KE6M3	\$ 1,613

① Included as standard on breakers ordered with PR332 trip unit

② Discount schedule SAT (T0)

③ Factory install only.

Accessories Electrical T8



KE6S*

Shunt trip

		Field/factory installation catalog number	Field/factory installation list price
T8	440 VAC	KE6S1	\$ 374
	380...400 VAC	KE6S2	
	240...250 VAC/DC	KE6S3	
	220...240 VAC/DC	KE6S4	
	120...127 VAC/DC	KE6S5	
	110...120 VAC/DC	KE6S6	
	60 VAC/DC	KE6S7	
	48 VAC/DC	KE6S8	
	30 VAC/DC	KE6S9	
	24 VDC	KE6S0	

Second shunt trip ①

		Field/factory installation catalog number	Field/factory installation list price
T8	440 VAC	KE6S1-2	\$ 456
	380...400 VAC	KE6S2-2	
	240...250 VAC/DC	KE6S3-2	
	220...240 VAC/DC	KE6S4-2	
	120...127 VAC/DC	KE6S5-2	
	110...120 VAC/DC	KE6S6-2	
	60 VAC/DC	KE6S7-2	
	48 VAC/DC	KE6S8-2	
	30 VAC/DC	KE6S9-2	
	24 VDC	KE6S0-2	



KE6U*

Undervoltage

		Field/factory installation catalog number	Field/factory installation list price
T8	440 VAC	KE6U1	\$ 456
	380...400 VAC	KE6U2	
	240...250 VAC	KE6U3	
	220...240 VAC/DC	KE6U4	
	120...127 VAC/DC	KE6U5	
	110...120 VACV/DC	KE6U6	
	60 VAC/DC	KE6U7	
	48 VAC/DC	KE6U8	
	30 VAC/DC	KE6U9	
	24 VDC	KE6U0	

① May be used in place undervoltage.

Accessories

Mechanical

T8

Tmax
MCCBs



KE6PG

Key lock in open position			Field/factory installation catalog number	Field/factory installation list price
T8	Key lock n. 20005 ① Key lock n. 20006 Key lock n. 20007 Key lock n. 20008 Key lock different keys		KT8KL2 KT8KL3 KT8KL4 KT8KL5 KT8KL1	\$ 202
Padlocking button cover			Field/factory installation catalog number	Field/factory installation list price
T8	3-4mm locks (padlocks not supplied)		KE6PD1	\$ 162
Button guard			Field/factory installation catalog number	Field/factory installation list price
T8	Protective cover for opening and closing pushbuttons		KE6PG	\$ 48
Mechanical operation counter			Field/factory installation catalog number	Field/factory installation list price
T8	Indicates the number of mechanical operations		KE6MC	\$ 418
Phase barriers-top terminals only			Field installation catalog number	Field installation list price
T8	Low 100mm 2 pcs (3P) Low 100mm 3 pcs (4P) High 200mm 2 pcs (3P) High 200mm 4 pcs (4P)		KT8PBL-3 KT8PBL-4 KT8PBH-3 KT8PBH-4	\$ 50 68 67 90
IP54 door protection			Field installation catalog number	Field installation list price
T8	Protective cover		KE6DC	\$ 557
Vertical terminals			Field installation catalog number	Field installation list price
T8	Rear Vertical Terminals (2)	Set of six Set of eight	KT82500VR-6 KT82500VR-8	\$ 2225 3035
Cable terminals			Field installation catalog number	Field installation list price
T8	Mechanical Lugs (set of 3)	Wire size 1/0-750 kcmil (4) 1/0-750 kcmil (6)	K8TL K8TM	\$ 274 315

① Key lock number when factory installed is 20005.

Technical data

T8

Absorbed power on inrush

Shunt trip, Second shunt trip, closing coil Voltage	AC	DC
24 VDC	—	200
30 VAC/DC	200	200
48 VAC/DC	200	200
60 VAC/DC	200	200
110...120 VAC/DC	200	200
120...127 VAC/DC	200	200
220...240 VAC/DC	200	200
380...400 VAC	200	—
440 VAC	200	—
Opening time shunt trip - Second shunt trip (ms)	≤ 60	≤ 60
Closing time closing coil (ms)	≤ 80	≤ 80

Spring charging motor

Shunt trip, Second shunt trip, closing coil Rated Voltage	AC	DC
	24...30	24...30
	48...60	48...60
	100...130	100...130
	220...250	220...250
Operating voltage (%Un)	85-110	85...110
Power consumption on inrush	500 VA	500 W
Inrush time (s)	0.2	0.2
Charging time (s)	4-5	4-5

Accessories

Electrical

T1 - T7

Tmax
MCCBs



Shunt trips -(Standard) ①

For remote opening of circuit breaker. Guaranteed operation for a voltage of between 75-110% of the rated power supply voltage. T1-T6 mounts in the left hand cavity cannot be used with UVR on 2-3P breakers

Frame Size	Voltage	Factory Installation ①		Field Installation					
		Catalog number suffix	List price adder	Catalog number	List Price				
T1-T3	480 - 500VAC 220-250VAC/DC 380 - 440VAC 110 - 125VAC/DC 48 - 60VAC/DC 24 - 30VAC/DC 12VDC	S1	\$ 535	KT3S1	\$ 490				
		S2		KT3S2					
		S3		KT3S3					
		S4		KT3S4					
		S7		KT3S7					
		S8		KT3S8					
		S9		KT3S9					
		Ts3		480VAC/250VDC 240 VAC 120VAC/125VDC 48VDC 24VAC/VDC 12VDC		S1	535	KTS3S1	490
						S2		KTS3S2	
S4	KTS3S4								
S7	KTS3S7								
S8	KTS3S8								
S9	KTS3S9								
T4, T5, T6 ③	480-500VAC 220/250VAC/DC 380-440VAC 110-125VAC/DC 48-60VAC/DC 24VAC/DC 12VDC	S1	535	KT5S1	490				
		S2		KT5S2					
		S3		KT5S3					
		S4		KT5S4					
		S7		KT5S7					
		S8		KT5S8					
		S9		KT5S9					
		T7		415-440VAC 380-400VAC 240-250VAC/DC 220-240VAC/DC 120-127VAC/DC 110-120VAC/DC 60VAC/DC 48VAC/DC 30VAC/DC 24VAC/DC		S1	535	KT7XS1	490
						S2		KT7XS2	
S3	KT7XS3								
S4	KT7XS4								
S5	KT7XS5								
S6	KT7XS6								
S7	KT7XS7								
S8	KT7XS8								
S9	KT7XS9								
S0	KT7XS0								

Shunt trip connector (REQUIRED for Ts3) ②

			Field Kit	
Ts3	Fixed Mount ②	Included when shunt trip factory installed	KTS3C-SU	\$ 45
Ts3	Draw-out ②	Included when shunt trip factory installed	KTS3C-SUP	

Shunt trips (Permanent Supply) ①

For remote opening of circuit breaker. Guaranteed operation for a voltage of between 75-110% of the rated power supply voltage. These shunt trips have much lower power consumption.

Frame Size	Voltage	Factory Installation ①		Field Installation	
		Catalog number suffix	List price adder	Catalog number	List Price
Ts3	24VDC 120VAC	SA	\$ 535	KTS3SA	\$ 490
		SB		KTS3SB	
T4, T5, T6 ③	24-30VDC 110/120VAC	SA	535	KT5SA	490
		SB		KT5SB	

Shunt trip connector (REQUIRED for Ts3) ②

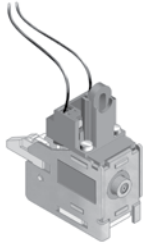
			Field Kit	
Ts3	Fixed Mount ②	Included when shunt trip factory installed	KTS3C-SU	\$ 45
	Draw-out ②	Included when shunt trip factory installed	KTS3C-SUP	

① For factory installation add suffix given to end of circuit breaker catalog number per accessory format.
 ② Must be ordered separately for field installation.
 ③ SAT5 Discount schedule.

Accessories

Electrical

T1 - T7



KT3U2



T7 X1 Shunt trip - UVR

Undervoltage release - UVR

Will trip circuit breaker when connected voltage drops to 35-70% of the undervoltage release voltage rating. Will allow circuit breaker to close when voltage is approximately 85% of the rated voltage. T1-T6 mounts in the left hand cavity cannot be used with shunt trip on 2-3P breakers

Frame Size	Voltage	Factory Installation ①		Field Installation	
		Catalog number suffix	List price adder	Catalog number	List Price
T1-T3	480 - 500VAC	U1	\$ 535	KT3U1	\$ 490
	220-250VAC/DC	U2		KT3U2	
	380 - 440VAC	U3		KT3U3	
	110 - 125VAC/DC	U4		KT3U4	
	60VAC/DC	U5		KT3U5	
	48VAC/DC	U7		KT3U7	
	24 - 30VAC/DC	U8		KT3U8	
	Ts3	480VAC		U1	
240VAC		U2	KTS3U2		
24VAC		U3	KTS3U3		
120VAC		U4	KTS3U4		
250VDC		U5	KTS3U5		
125VDC		U6	KTS3U6		
48VDC		U7	KTS3U7		
24VDC		U8	KTS3U8		
T4, T5, T6 ③	480-500VAC	U1	535	KT5U1	490
	220/250VAC/DC	U2		KT5U2	
	380-440VAC	U3		KT5U3	
	110-125VAC/DC	U4		KT5U4	
	60VAC/DC	U5		KT5U5	
	48VAC/DC	U7		KT5U7	
	24VAC/DC	U8		KT5U8	
	T7	415-440VAC		U1	
380-400VAC		U2	KT7XU2		
240-250VAC/DC		U3	KT7XU3		
220-240VAC/DC		U4	KT7XU4		
120-127VAC/DC		U5	KT7XU5		
110-120VAC/DC		U6	KT7XU6		
60VAC/DC		U7	KT7XU7		
48VAC/DC		U8	KT7XU8		
30VAC/DC		U9	KT7XU9		
24VAC/DC		U0	KT7XU0		

Undervoltage trip connector (REQUIRED for Ts3) ②

			Field Kit	
Ts3	Fixed Mount ② Plug-In/Draw-out ②	Included when under voltage factory installed Included when under voltage factory installed	KTS3C-SU KTS3C-SUP	\$ 45

① For factory installation add suffix given to end of circuit breaker catalog number per accessory format.
 ② Must be ordered separately for field installation.
 ③ SAT5 Discount schedule.

Accessories

Electrical

T1 - T7

Tmax
MCCBs

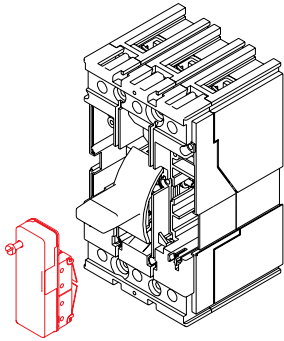
Auxiliary contacts - AUX ①

Auxiliary contacts are for indication of the circuit breaker open-closed. Bell alarm contacts (BA) can be used to indicate circuit breaker tripped.

Frame Size	Factory Installation ①		Field Installation	
	Catalog number suffix	List price adder	Catalog number	List Price
T1-T3 ②	1 Form C + 1BA	A	KT3AS	\$ 380
	3 Form C + 1BA	A3	KT3AS3	725
	3 Form C + 1BA 24VDC	A3AU	KT3AS3-AU	725
T2	T2 PR221DS 1 Form C + 1BA	A	KT2AS-E	380
Ts3	2 Form C	A	KTS3AS	275
	1 Form C+ 1 BA	BA	KTS3BA	380
T4, T5, T6 ④	1 Form C + 1BA 250VAC/VDC	A	KT5AS	388
	3 Form C + 1BA 250VAC/VDC	A3	KT5AS3	725
	3 Form C + 1BA 24VDC	A3AU	KT5AS3-AU	725
T7	1 Form C + 1BA 400VAC/250VDC	A	KT7AS	396
	2 Form C 400VAC/250VDC	A2	KT7XAS2	
	1 Form C + 1BA 24VDC	AAU	KT7AS-AU	
	2 Form C 24VDC	A2AU	KT7XAS2-AU	

Auxiliary contact connector (REQUIRED for Ts3) ③

Ts3	Fixed Mount ③ Plug-In /Drawout ③	Included Included	Field Kit	
			KTS3C-AB KTS3C-ABP	\$ 45



T1 with K3TAS



KTS3AS

① For factory installation add suffix to end of breaker part number per accessory format .
 ② Not compatible for T2 with PR221DS trip unit.
 ③ Must be ordered separately for field installation.
 ④ SAT5 Discount schedule.

Accessories

Motor operators

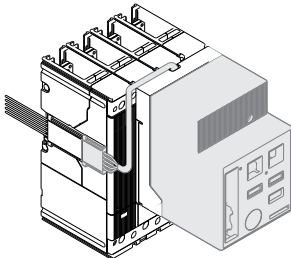
T1 - T7



KT3M1



KT5M2



KT5M2



KTS3M2

Electrical operators

Allows remote opening and closing of circuit breaker

Frame size	Voltage	Catalog number	List price
------------	---------	----------------	------------

Solenoid operator

T1-T3	48 - 60VDC 110 - 250VAC/DC	KT3M1 KT3M2	\$ 850
-------	-------------------------------	----------------	--------

Direct action motor operator

Ts3	240VAC/250VDC 120VAC/125VDC 48VDC 24VDC	KTS3M2 KTS3M4 KTS3M7 KTS3M8	1,799
-----	--	--------------------------------------	-------

Motor operator connector (REQUIRED for Ts3) ①

Ts3	Fixed Mount ① Plug-In / Draw-out ①	KTS3C-M KTS3C-MP	45
-----	---------------------------------------	---------------------	----

Stored energy motor operator

T4, T5	220-250VAC/DC 110--125-VAC/DC 48-60VDC 24VDC	KT5M2 KT5M4 KT5M7 KT5M8	2,385
--------	---	----------------------------------	-------

Contact for remote/manual operation (stored energy operator)

T4, T5, T6 ②	-	KT5MA	220
--------------	---	-------	-----

Stored energy motor operator

T6	220-250VAC/DC 110--125-VAC/DC 48-60VDC 24VDC 380VAC	KT6M2 KT6M4 KT6M7 KT6M8 KT6M3	4,990
----	---	---	-------

① Must be ordered separately for field installation

② SAT5 Discount schedule.

Accessories

Trip units

T4 - T7

Tmax
MCCBs

Frame Size	Rating plug	Catalog number	List Price
Rating plugs (UL)			
T7	400A Rating plug 600A Rating plug 800 Rating plug 1000A Rating plug 1200 Rating plug	KT7X0400RP KT7X0600RP KT7X0800RP KT7X1000RP KT7X1200RP	\$ 125
Modules for T7 PR332 trip units			
T7	Voltage module ② Communication module (Modbus RTU)	PR330/VT7 PR330/D-M	3033 4500
External units			
	Test and configuration unit ③	PR010/T	12,500
	Trip coil test-all Tmax electronic trip unit except PR33*	K7TUT	210
	External Bluetooth communication module ① Includes diagnostic software for Modbus / Bluetooth networks	BT030	3,335
	Battery power supply unit ①	PR030/B	275
Not suitable for UL applications.			
T7 - Allows remote opening when used with PR330/D-M and shunt trip			
T7M - Allows remote opening and closing when used with PR330//D-M. shunt trip and closing coil			
Actuator module (IEC)			
T7	Actuator module ②	PR330/R-T7	700
Neutral current transformers (required for 4 wire ground fault systems)			
T4	100A 150A 250A	KT4NCT-100 KT4NCT-150 KT4NCT-250	300
T5	300A 400A	KT5NCT-300 KT5NCT-400	300
T6	600A 800A	KT6NCT-600 KT6NCT-800	770

① Always supplied with PR332/P trip unit.
② Factory installed only.

Technical data

Shunt trips, Undervoltages

T1 - T7

Standard shunt trip

Voltage	Inrush Power Consumption							
	T1, T2, T3		Ts3		T4, T5, T6		T7	
	AC (VA)	DC (W)	AC (VA)	DC (W)	AC (VA)	DC (W)	AC (VA)	DC (W)
12 VDC	-	50	-	120	-	150	-	-
24 VAC/DC	-	-	100	100 or 4 ①	-	-	300	300
24...30 VAC/DC	50	50	-	-	150	150	-	-
30 VAC/DC	-	-	-	-	-	-	300	300
48 VAC/DC	-	-	-	120	-	-	300	300
48...60 VAC/DC	60	60	-	-	150	150	-	-
60 VAC/DC	-	-	-	-	-	-	300	300
100...120 VAC/DC	-	-	100 or 4 ①	-	-	-	300	300
120...127 VAC/DC	-	-	-	-	-	-	300	300
110...127 VAC 110...125 VDC	50	50	-	120	150	150	-	-
220...240 VAC/DC	-	-	-	-	-	-	300	300
220...240 VAC 220...250 VDC	50	50	100	120	150	150	-	-
240...250 VAC/DC	-	-	-	-	-	-	300	300
380...400 VAC	-	-	-	-	-	-	300	-
380...440 VAC	55	-	-	-	150	-	-	-
415...440 VAC	-	-	-	-	-	-	300	-
480 VAC	-	-	100	-	-	-	-	-
480...525 VAC	55	-	-	-	150	-	-	-
Opening Time (ms)	15	15	15	15	15	15	20	20

Permanent supply shunt trip

Voltage	T4, T5, T6	
	AC (VA)	DC (W)
24 VAC/DC	4	4
100...120 VAC	4	-

Undervoltage

Voltage	Power consumption during permanent operation							
	T1, T2, T3		Ts3		T4, T5, T6		T7	
	AC (VA)	DC (W)	AC (VA)	DC (W)	AC (VA)	DC (W)	AC (VA)	DC (W)
24 VAC/DC	-	-	6	3	-	-	3.5	3.5
24...30 VAC/DC	1.5	1.5	-	-	6	3	-	-
30 VAC/DC	-	-	-	-	-	-	3.5	3.5
48 VAC/DC	1	1	6	3	6	3	-	-
60 VAV/DC	1	1	-	-	6	3	-	-
110...120 VAC/DC	-	-	6	-	-	-	3.5	3.5
120...127 VAC/DC	-	-	-	-	-	-	3.5	3.5
110...127 VAC 110...125 VDC	2	2	-	-	6	3	-	-
220...240 VAC/DC	-	-	-	-	-	-	3.5	3.5
220...240 VAC 220...250 VDC	2.5	2.5	-	3	6	3	-	-
220...250 VAC	-	-	6	-	-	-	-	-
240...250 VAC/DC	-	-	-	-	-	-	3.5	3.5
380...400 VAC	-	-	-	-	-	-	3.5	-
380...440 VAC	3	-	-	-	6	-	-	-
415 - 440 VAC	-	-	-	-	-	-	3.5	-
480...525 VAC	4	-	-	-	6	-	-	-
480 VAC	-	-	6	-	-	-	-	-
Opening Time (ms)	15	15	≤18	≤18	≤25	≤25	≤25	≤25

① Shunt trip permanent supply

Technical data

Electrical operators

T1 - T6

Tmax
MCCBs

Electrical operator, T1-T3

Rated Voltage		AC	DC
		-	48...60
		110...250	110...250
Operating Voltage		85...110% Un	
Inrush power absorption during operation		1800 (VA)	1000 (W)
Power on stand by		< 100 (mW)	
Time	opening (s)	< 0.1	
	closing (s)	< 0.1	
Minimum control impulse time on opening and closing (ms)		>100	

This unit is permanently supplied on stand by, a control is applied by means of external contact in a low power circuit.

Contact characteristics:

Voltage AC/DC=24V

Current 50 mA

Electrical operator, Ts3

Rated Voltage		AC	DC
		-	24
		-	48...60
		120	125
		240	250
		440	-
Operating Voltage		85...110 % Un	
Inrush power absorption		500 (VA)	500 (W)
Service power absorption		350 (VA)	350 (W)
Time constant (ms)		18	
Duration	opening (s)	0.1	
	closing (s)	0.1	
Minimum duration of the opening and closing command impulse (ms)		≥150	

Electrical operator, T4-T5

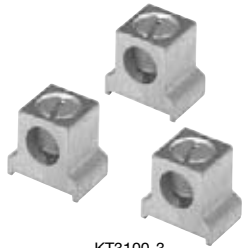
Voltage		AC	DC
		-	24
		-	48...60
		110...125	110...125
		220-250	220-250
		380	-
Operating Voltage		85...110%	
Inrush power consumption		≤ 300VA	≤ 300W
In service power consumption		≤150VA	≤150W
Duration	opening (s)	1.5	
	closing (s)	< 0.1	
	resetting (s)	3	
Minimum duration of the opening and closing command impulse (ms)		≥100	

Electrical operator, T6

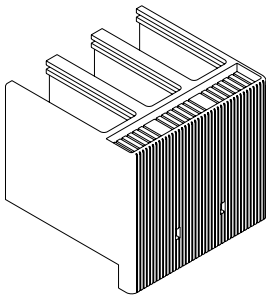
Voltage		AC	DC
		-	24
		-	48...60
		110-125	110-125
		220-250	220-250
		380	-
Operating Voltage		85...110%	
Inrush power consumption		≤ 400VA	≤ 400W
In service power consumption		≤150VA	≤150W
Duration	opening (s)	3	
	closing (s)	< 0.1	
	resetting (s)	5	
Minimum duration of the opening and closing command impulse (ms)		≥100	

16

Accessories Mechanical T1 - T7



KT3100-3



KT1HTC-3



KT4LTC-3

Standard cable terminal

Frame	Wire Size	Catalog number (set of 3)	List Price	Catalog number (set of 4)	List Price
T1	14 AWG-1/0	Integral	—	Integral	—
T2	14 AWG-1/0	KT2100-3	\$ 9	KT2100-4	\$ 12
T3	14 AWG - 1/0	KT3100-3	9	KT3100-4	12
	4 AWG - 300 kcmil	KT3225-3	18	KT3225-4	24
Ts3	14-2	K3TA ③	6	K3TA-4 ③	8
	14-1/0	K4TB ③	6	K4TB-4 ③	8
	2-4/0	K4TC ③	6	K4TC-4 ③	8
	4-300 kcmil	K4TD ③	15	K4TD-4 ③	20
T4	14 AWG-1/0	KT4100-3	9	KT4100-4	12
	6 AWG-350 kcmil	KT4250-3	30	KT4250-4	40
T5 ④	250 kcmil-500 kcmil	KT5300-3	45	KT5300-4	60
T5 ①④	(2) 3/0-250 kcmil	KT5400-3	45	KT5400-4	60
T5 ②	(2) 3/0-500 kcmil	KT5600-3	225	—	—
T6	(2) 250-500 kcmil ③	K6TH ③	75	K6TH-4 ③	100
T6 ①	(3) 2/0-400 kcmil ③	K6TJ ③	135	K6TJ-4 ③	180
T7 ①	(4) 4/0-500 kcmil	KT7X1200-3	560	KT7X1200-4	747

Standard cable lug kits with power control taps

Frame	Wire Size	Catalog number (set of 3)	List Price	Catalog number (set of 4)	List Price
T3	14 AWG - 1/0	KT3100-3C	\$ 16	KT3100-4C	\$ 19
	4 AWG - 300 kcmil	KT3225-3C	18	KT3225-4C	31
Ts3	14 AWG-1/0	K4TBC	12	K4TBC-4	20
	2 AWG-4/0	K4TCC	12	K4TCC-4	20
	4 AWG-300 kcmil	K4TDC	21	K4TDC-4	31
T4	14 AWG-1/0	KT4100-3C	15	KT4100-4C	20
	6 AWG-350 kcmil	KT4250-3C	36	KT4250-4C	48
T5 ④	250 kcmil-500 kcmil	KT5300-3C	51	KT5300-4C	68
T5 ①④	(2) 3/0-250 kcmil	KT5400-3C	51	KT5400-4C	68
T6	(2) 250-500 kcmil	K6THC ③	81	K6THC-4 ③	109
T6 ①	(3) 2/0-400 kcmil	K6TJC ③	141	K6TJC-4 ③	190

Terminal covers for fixed breakers - Low profile-kit includes two pieces

Frame	Catalog number (3 pole)	List Price	Catalog number (4 pole)	List Price
T1	KT1LTC-3	\$ 35	KT1LTC-4	\$ 47
T2	KT2LTC-3	40	KT2LTC-4	54
T3	KT3LTC-3	50	KT3LTC-4	68
Ts3	KTS3LTC-3	55	KTS3LTC-4	74
T4	KT4LTC-3	55	KT4LTC-4	74
T5	KT5LTC-3	60	KT5LTC-4	81
T6	KT6LTC-3	75	KT6LTC-4	101
T7	KT7XLTC-3	80	KT7XLTC-4	108

Terminal covers for fixed breakers - High profile-kit includes two pieces

Frame	Catalog number (3 pole)	List Price	Catalog number (4 pole)	List price
T1	KT1HTC-3	\$ 37	KT1HTC-4	\$ 50
T2	KT2HTC-3	43	KT2HTC-4	58
T3	KT3HTC-3	53	KT3HTC-4	72
Ts3	KTS3HTC-3	58	KTS3HTC-4	78
T4	KT4HTC-3	58	KT4HTC-4	78
T5	KT5HTC-3	63	KT5HTC-4	85
T6	KT6HTC-3	85	KT6HTC-4	108
T7	KT7XHTC-3	90	KT7XHTC-4	115

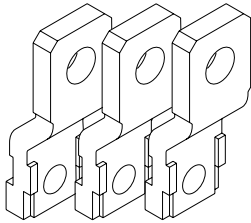
- ① Comes standard with high profile terminal covers.
 ② Uses front extended spreaded terminals... refer to technical catalog.
 ③ Discount schedule SA.
 ④ Not suitable for use on T5 600A.

Accessories

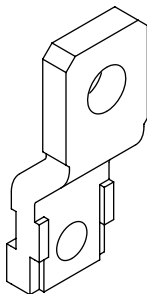
Mechanical

T1 - T7

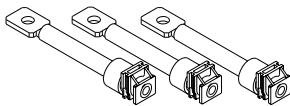
Tmax
MCCBs



KT2EF-3



KT4EF-



KT2R-3

Phase barriers - Low profile 100mm-3.93 in

Frame	4 pcs (3p)	List Price	6 pcs (4p)	List Price
T1-T3	KT3PBL-3	\$ 28	KT3PBL-4	\$ 42
T4-T5	KT5PBL-3	28	KT5PBL-4	42
T6	KT6PBL-3	42	KT6PBL-4	57
T7	KT7PBL-3	50	KT7PBL-4	68

Phase barriers - High profile 200mm-7.87 in

Frame	4 pcs (3p)	List Price	6 pcs (4p)	List Price
T1-T3	KT3PBH-3	\$ 42	KT3PBH-4	\$ 63
T4-T5	KT5PBH-3	42	KT5PBH-4	63
T7	KT7PBH-3	67	KT7PBH-4	90

Saddle terminals for Copper Cables - IEC

Frame	Catalog number (Set of 3)	List Price	Catalog number (Set of 4)	List Price
T2	KT2100S-3	\$ 34	KT2100S-4	\$ 46
T3	KT3225S-3	52	KT3225S-4	70
Ts3	K4TES ③	30	K4TES-4 ④	40
T4	KT4250S-3	41	KT4250S-4	55
T5	KT5300S-3	270	KT5300S-4	365

Extended front terminals

Frame	Catalog number (set of 3)	List Price	Catalog number (set of 4)	List Price
T2	KT2EF-3	\$ 26	KT2EF-4	\$ 35
T3	KT3EF-3	33	KT3EF-4	44
Ts3	KTS3EF-3	65	KTS3EF-4	88
T4	KT4EF-3	55	KT4EF-4	73
T5	KT5EF-3	115	KT5EF-4	155

Rear terminals ①

Frame	Catalog number (set of 3)	List Price	Catalog number (set of 4)	List Price
T2	KT2R-3	\$ 78	KT2R-4	\$ 105
T3	KT3R-3	98	KT3R-4	131
T4	KT4R-3	60	KT4R-4	80
T5	KT5R-3	122	KT5R-4	163
T6	KT6R-3	350	KT6R-4	473
T7	KT7R-3	407	KT7R-4	550

Distribution cable lug kit ②

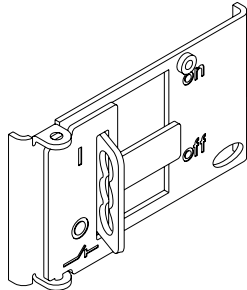
Frame	Wire Size	Catalog number (set of 3)	List Price	Catalog number (set of 4)	List Price
T3	(6) #14-6	KT3TN	\$ 125	KT3TN-4	\$ 167
Ts3	(6) #14-6	KTS3TN	125	KTS3TN-4	169
T4	(6) #14-6	KT4TN	125	KT4TN-4	167
T5	(6) #14-1/0	KT5TGD	240	KT5TGD-4	320

① Includes low profile terminal cover.
 ② Includes high profile terminal cover.
 ③ Set of six, Discount schedule SA.
 ④ Set of eight, Discount schedule SA.

Accessories

Mechanical

T1 - T7



KT3LD



KT5RH



OHB65J6



OHB125J10

Padlock locking device

Frame	Style	Locking Position	Breaker Mounting	Catalog number	List Price
T1,T2,T3	PLL	OPEN/CLOSED OPEN	Fixed	KT3LD KT3LDO	\$ 35
Ts3	FLD	OPEN	Fixed, Plug-In Draw-out	KTS3FLD KTS3FLDW	87 125
T4-T5	FLD	OPEN	Fixed, Plug-In Draw-out	KT5FLD KT5FLDW	40 55
T6	FLD	OPEN	Fixed, Plug-In Draw-out	KT6FLD KT6FLDW	220 240
T7	PLL	OPEN	Fixed, Drawout	KT7LDO	260

Keylocks-rotary handle mechanism

Frame	Style	Locking Position	Keys	Catalog number	List Price
T1,T2,T3	RHL	OPEN/CLOSED	Different	KT3RHL3	\$ 94
Ts3	-	OPEN	Different	KTS3KLFD	58
T4-T5	KLF-D	OPEN	Different	KT5KLFD	58
T6	KLF-D	OPEN	Different	KT6KLFD	68
T7	KLF-D	OPEN	Different	KT7KLFD	79

Direct mount rotary operator handle

Frame	Breaker Mounting	Catalog number	List Price
T1, T2, T3	Fixed, Plug-In	KT3RH	\$ 146
Ts3	Fixed, Plug-In	KTS3RH	150
Ts3	Draw-out	KTS3RHW	150
T4-T5	Fixed, Plug-In	KT5RH	135
T4-T5	Draw-out	KT5RHW	135
T6	Fixed, Draw-out	KT6RH	450
T6	Draw-out	KT6RHW	450
T7	Fixed, Draw-out	KT7RH	450

Variable depth handle operators

Frame	NEMA rating	Mechanism catalog number	List Price	Shaft catalog number	List Price	Handle catalog number	List Price
T1-T3	1,3R,12	-	-	-	-	OHB65J6 ① OHY65J6 ①	\$ 80
	4, 4X	KT3VD-M	\$ 72	OXp6X430 (16.9") ②	\$ 28	OHB80L6 ① OHY80L6 ①	130
	1	-	-	KT3VD-S (11.8")	35	KT3VD-H	87
Ts3	1,3R,12	-	-	OXp10X148 (5.8") ②	24	OHB95J10 ① OHY95J10 ①	80
	4,4X	KTS3VD-M	72	OXp10X225 (8.9") ①	26	OHB95L10 ① OHY95L10 ①	120
	-	-	-	OXp10X500 (19.7") ①	32	-	-
	1	-	-	KT3VD-S (20")	35	KTS3VD-H	87
T4-T5	1,3R,12	-	-	OXp10X148 (5.8") ①	24	OHB95J10 ① OHY95J10	80
	4,4X	KT5VD-M	65	OXp10X225 (8.9") ①	26	OHB95L10 ① OHY95L10 ①	120
	-	-	-	OXp10X500 (19.7") ①	32	-	-
	1	-	-	KT5VD-S (19.7")	36	KT5VD-H	87
T6	1,3R,12	-	-	OXp10X148 (5.8") ①	24	OHB125J10 ① OHY125J10 ①	90
	4,4X	KT6VD-M	370	OXp10X225 (8.9") ①	26	OHB125L10 ①	130
	-	-	-	OXp10X500 (19.7") ①	32	-	-
	1	-	-	KT5VD-S (19.7)	36	KT6VD-H	210
T7	1,3R,12	-	-	OXp10X148 (5.8") ①	24	OHB175J10 ① OHY175J10 ①	100
	-	KT7VD-M	370	OXp10X225 (8.9") ①	26	OHB175L10 ①	140
	-	-	-	OXp10X500 (19.7") ①	32	-	-
	1	-	-	KT7VD-S (19.7")	130	KT7VD-H	231

① Discount schedule SH.

② Discount schedule H6.

Accessories

Mechanical

T1 - T7

Tmax
MCCBs

Plug-in kits ①

Frame	Catalog number Adapter moving part	List Price	Catalog number fixed part	List Price
T2 - 3 pole with front terminals	KT2PMK	\$ 171	KT2PFF	\$ 238
T3 - 3 pole with front terminals	KT3PMK	190	KT3PFF	264
T2-T3 Fixed parts accept the same cable and rear terminal kits as the circuit breakers				
Ts3 3 pole with front terminals	KTS3PMK	250	KTS3PFF	305
Ts3 3 pole with rear terminals			KTS3PFR	
T4 3 pole with extended front terminal	KT4PMK	250	KT4PFEF	710
T4 3 pole with rear horizontal terminals			KT4PFHR	766
T4 3 pole with rear vertical terminals			KT4PFVR	766

T5, 400A

T5 400A 3 pole with extended front terminal	KT5PMK	350	KT5PFEF	810
T5 400A 3 pole with rear horizontal terminal			KT5PFHR	866
T5 400A 3 pole with rear vertical terminal			KT5PFVR	866

T5, 600A

T5 600A 3 pole with extended front terminal	KT56PMK	501	KT56PFEF	1,158
T5 600A 3 pole with rear horizontal terminal			KT56PFHR	1,238
T5 600A 3 pole with rear vertical terminal			KT56PFVR	1,238



KT2PFF + KT2PMK (on back of breaker) + breaker

Plug connectors, T1-T3

Required when adding accessories to plug-in breakers

Plug Connector	Catalog number	List price
Shunt trip or UVR	KT3PC-3	\$ 18
1 form C plus 1 BA	KT3PC-6	21
3 form C plus 1 BA	KT3PC-12	24

Adaptors, T4-T6 ②

Required when adding accessories to plug-in or drawout breakers

Adaptors	Catalog number	List price
1 form C plus 1 BA	KT5ADP-6	\$ 24
Shunt trip/UVR	KT5ADP-6	24
Stored energy operator	KT5ADP-10	30
Stored energy operator plus shunt trip/UVR	KT5ADP-10	30
3 form C plus 1BA	KT5ADP-12	35



KT4PMK (on back of breaker)

① Plug connectors (T2-T3), Adaptors (T4-T5), required when adding accessories to plug-in breakers.

② SAT5 Discount schedule.

Accessories

T1 - T7



KT4WMK (on back of breaker)

KT5WFVR

Draw-out kits ①

Item	Catalog number Adaptor moving part	List Price	Catalog Number Fixed part	List Price
Ts3 3 pole with front terminals Ts3 3 pole with rear terminals	KTS3WMK	\$ 290	KTS3WFF ③ KTS3WFR ③	\$ 790
T4 3 pole with extended front terminal T4 3 pole with rear horizontal terminals T4 3 pole with rear vertical terminals	KT4WMK	290	KT4WFEF KT4WFHR KT4WFVR	816 1,021 1,021
T5 3 pole with extended front terminal T5 3 pole with rear horizontal terminal T5 3 pole with rear vertical terminal	KT5WMK	407	KT5WFEF KT5WFHR KT5WFVR	931 1,154 1,154
T5 3 pole with extended front terminal T5 3 pole with rear horizontal terminal T5 3 pole with rear vertical terminal	KT56WMK	582	KT56WFEF KT56WFHR KT56WFVR	1,331 1,650 1,650
T6 3 pole with extended front terminal T6 3 pole with rear horizontal terminal T6 3 pole with rear vertical terminal	KT6WMK	670	KT6WFEF ③ KT6WFHR ③ KT6WFVR	1,844 1,844 2,144
T7 3 pole with horizontal/vertical terminals	KT7XWMK	755	KT7WFHR ②	2,567

Adaptors — T4-T6 ④

Required when adding accessories to plug-in or drawout breakers

Adaptors	Catalog number	List price
1 form C plus 1 BA	KT5ADP-6	\$ 24
Shunt trip/UVR	KT5ADP-6	24
Stored energy operator	KT5ADP-10	30
Stored energy operator plus shunt trip/UVR	KT5ADP-10	30
3 form C plus 1BA	KT5ADP-12	35

Sliding contact blocks — T7-Draw-out

Item	Moving Part Breaker	List Price	Fixed Part Cradle	List Price
Left Block Spring charging motor Spring charged contact Ready to close contact Early auxiliary contact Contact for trip coil release trip Trip rest	KT7XSCMP-L	\$ 160	KT7SCFP-L	\$ 185
Center Block PR331 PR332	KT7XSCMP-C	160	KT7XSCFP-C	310
Right Block Auxiliary contacts Shunt trip Closing Coil Undervoltage release	KT7XSCMP-R	160	KT7XSCFP-R	310

If at least one of the accessories in table is installed on the breaker - respective pair of contact blocks must be installed on the fixed part (cradle) and the moving part. (breaker)

Position key lock — T7 - T7M-X1

Item	Catalog number	List Price
Key #20005 Different key	KT7XPL2 KT7XPL1	\$ 202

Locks drawout breaker in racked-in / test isolation / racked-out position.

Position key lock accessory — T7 - T7M-X1

Item	Catalog number	List Price
Key lock accessory	KT7XPLA	\$ 35

Accessory added to position key lock allows breaker to be locked in racked-out position only.

① Adaptors (T4-T6), Sliding contact blocks (T7) required when adding accessories to draw-out breakers.
② Comes standard with horizontal terminals field convertible to vertical
③ IEC
④ SAT5 Discount schedule.

Accessories

T1 - T7

Tmax
MCCBs



KT3MIF2

DIN rail adapters

Item	Catalog Number	List Price
T1/T2 (mounts on 35 mm DIN rail 15mm high)	KT2DIN	\$ 33
T3 (mounts on 35mm DIN rail 15mm high)	KT3DIN	41
Ts3 (mounts on 75 mm DIN rail)	KTS3DIN	51

Mechanical interlocks

Item	Catalog Number	List Price
T1-T3		
Sliding bar interlock-front mounted (2 Breakers)	KT3MIF2	\$ 625
Sliding bar interlock-front mounted (3 Breakers)	KT3MIF3	844
T3		
Rear Interlock-horizontal	KT3MI-H	896
Rear Interlock-vertical	KT3MI-V	985
TS3		
Horizontal	KTS3MI-H	798
Vertical	KTS3MI-V	798
T4-T5 ①		
Interlock frame		
Mechanical Interlock frame-horizontal	KT5MIR-HB	490
Mechanical Interlock frame-vertical	KT5MIR-VB	588
Plate type		
A T4 (F-P-W) T4 (F-P-W)	KT5MIR-PA	210
B T4 (F-P-W) T5 400 (F-P-W) OR T5 600 (F)	KT5MIR-PB	
C T4 (F-P-W) T5 600 (P-W)	KT5MIR-PC	
D T5 (F-P-W) T5 400 (F-P-W) OR 630 (F)	KT5MIR-PD	
E T4 (F-P-W) T5 600 (P-W)	KT5MIR-PE	
F T4 (F-P-W) T5 600 (P-W)	KT5MIR-PF	
T6		
Horizontal	KT6MI-H	620
Vertical	KT6MI-V	
T7 ②		
Cable T7-X1	KT7XMLC	270
Mech. interlock plate-fixed	KT7XMLPW	670
Mech. interlock plate-draw-out	KT7XMLPF	670

① T4-T5 Complete assembly consists of one interlock frame and one plate.
 ② To interlock two circuit breakers, you have to order a cable kit and two plates.

Enclosures Type 1 & 3R/12



T3E-1



T4E-3R12 ②

Enclosures (Price does not include circuit breaker; order as a separate item.) ④

NEMA designation	Breaker type	Enclosure maximum rating		Approximate dimensions ^① H x W x D (inches)	Catalog number	List price
		AL cables	CU cables			
Type 1 ①	T1	100A	100A	15 x 8.5 x 4	T1E-1	\$ 267
	T2	100A	100A	15 x 8.5 x 4	T2E-1	267
	T3	175A	225A	20 x 11 x 4	T3E-1	315
	T4	200A	250A	26 x 15 x 6.25	T4E-1 ②	407
	T5	325A	400A	26 x 15 x 6.25	T5E-1 ②	435
Type 3R/12 ^③	T1	100A	100A	15 x 8.5 x 7	T1E-3R12	407
	T2	100A	100A	15 x 8.5 x 7	T2E-3R12	407
	T3	175A	225A	20 x 11 x 7	T3E-3R12	527
	T4	200A	250A	26 x 15 x 9	T4E-3R12	625
	T5	325A	400A	26 x 15 x 9	T5E-3R12	767

Neutral kits

Breaker type	Neutral cable capacity and wire range	Neutral kit catalog number	List price
T1 – T2	Neutral #14-1/0 Bonding Lug #14-1/0	T2NK125	\$ 140
T3	Neutral #6-250 kcmil Bonding Lug #14-1/0	T3NK225	150
T4	Neutral #6-250 kcmil Bonding Lug #14-1/0 kcmil	T4NK250	155
T5	Neutral (2) #6-250 kcmil Bonding Lug #14-1/0 kcmil	T5NK400	295

NOTE: The list price adder for factory installation of an enclosed circuit breaker is 50% of the enclosure list price.

16 Description

Type 1

- General purpose indoor enclosure intended for use in normal environments to provide a degree of protection against contact with enclosed equipment.
- Sheet steel, surface mount.
- Breaker is front-operable and can be padlocked via a separately ordered padlock device.
- Available through 400A, 600VAC
- (SUSE) suitable for use as service equipment.

Type 3R/12

- Type 3R is intended for outdoor use providing protection against rain, sleet or snow.
- Type 12 is for use in indoor atmospheres to provide a degree of protection against circulating dust, lint, sawdust, falling dirt and dripping non-corrosive liquids.
- Surface-mounted, sheet steel enclosure.
- Breaker can be operated via **separately ordered** handle mechanism; door is interlocked with mechanism.
- Available through 400A, 600VAC.
- (SUSE) suitable for use as service equipment.

① Padlocking provision must be ordered separately.

② Must order KT5FLD (padlock device) separately.

③ Variable depth rotary handle must be ordered separately.

④ Consult ABB for breakers installed in enclosures.

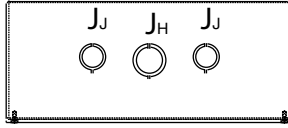
Enclosures

Approximate dimensions, T1 – T5

NEMA 1, 3R & 12

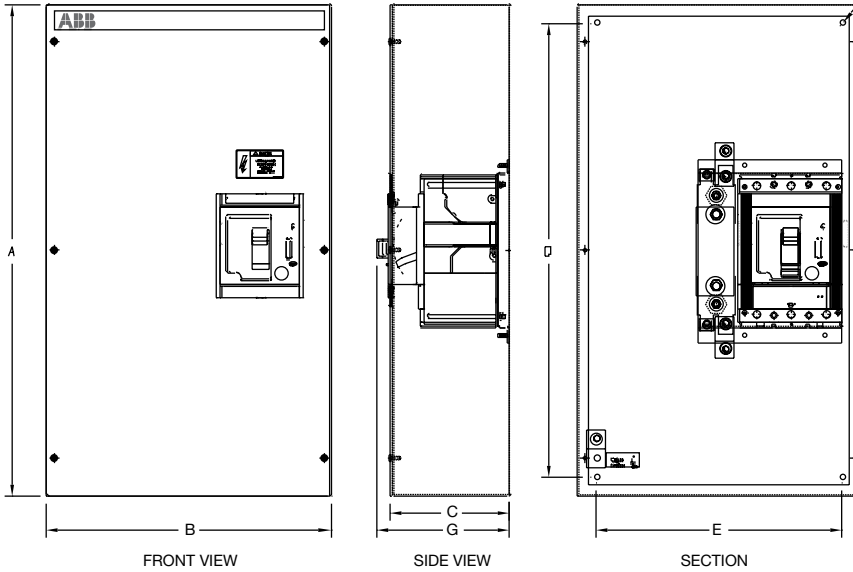
Tmax
MCCBs

NEMA 1



SHOWN WITH BREAKER, PADLOCK DEVICE AND NEUTRAL KIT ORDERED SEPARATELY

F MTG HOLES
4 PLACES

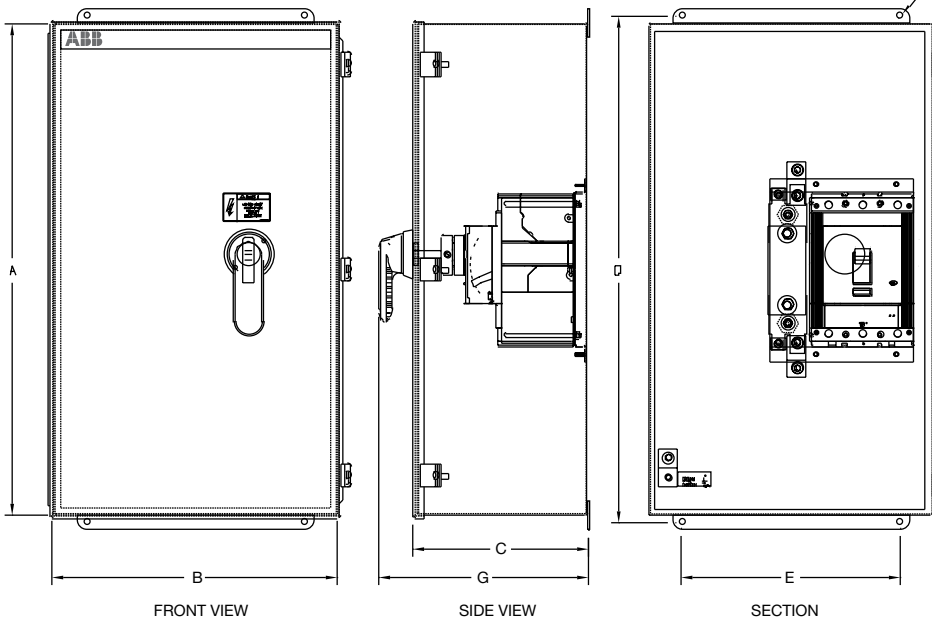


Cat. #	A	B	C	D	E	F	G	H	J
T1E-1	15.00 381	8.50 216	4.00 102	13.00 330	6.50 165	0.281 7	4.93 125	1, 1-1/4 25, 32	3/4, 1 19, 25
T2E-1	15.00 381	8.50 216	4.00 102	13.00 330	6.50 165	0.281 7	4.93 125	1, 1-1/4 25, 32	3/4, 1 19, 25
T3E-1	20.00 508	11.00 279	4.00 102	18.00 457	9.00 229	0.281 7	4.93 125	1, 1-1/4 25, 32	3/4, 1 19, 25
T4E-1	26.00 660	15.00 381	6.25 159	24.00 610	13.00 330	0.281 7	7.01 178	1, 1-1/4 25, 32	3/4, 1 19, 25
T5E-1	26.00 660	15.00 381	6.25 159	24.00 610	13.00 330	0.281 7	7.01 178	1, 1-1/4 25, 32	3/4, 1 19, 25

NEMA 3R, 12

SHOWN WITH BREAKER, VARI-DEPTH MECHANISM, HANDLE, SHAFT AND NEUTRAL KIT, ORDERED SEPARATELY

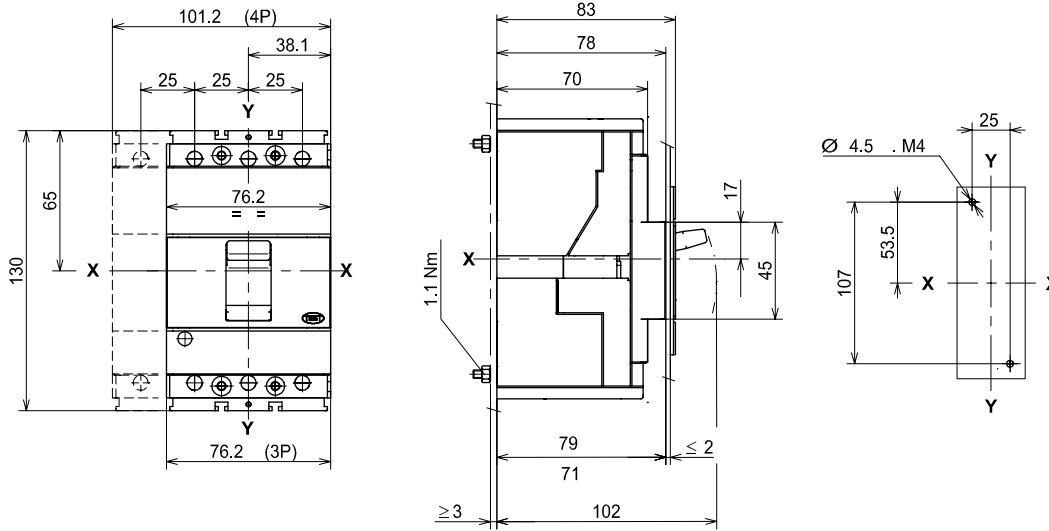
F MTG HOLES
4 PLACES



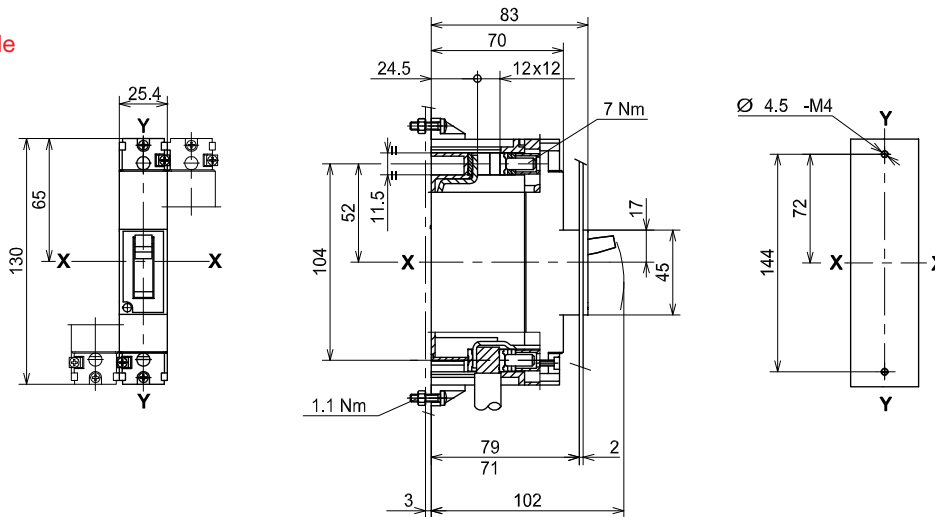
Cat. #	A	B	C	D	E	F	G
T1E-3R12	15.00 381	8.50 216	7.00 178	15.75 400	5.00 127	0.313 8	9.06 230
T2E-3R12	15.00 381	8.50 216	7.00 178	15.75 400	5.00 127	0.313 8	9.06 230
T3E-3R12	20.00 508	11.00 279	7.00 178	20.75 527	7.50 191	0.313 8	9.06 230
T4E-3R12	26.00 660	15.00 381	9.00 229	26.75 679	11.50 292	0.313 8	11.06 281
T5E-3R12	26.00 660	15.00 381	9.00 229	26.75 679	11.50 292	0.313 8	11.06 281

Approximate dimensions T1 & T2

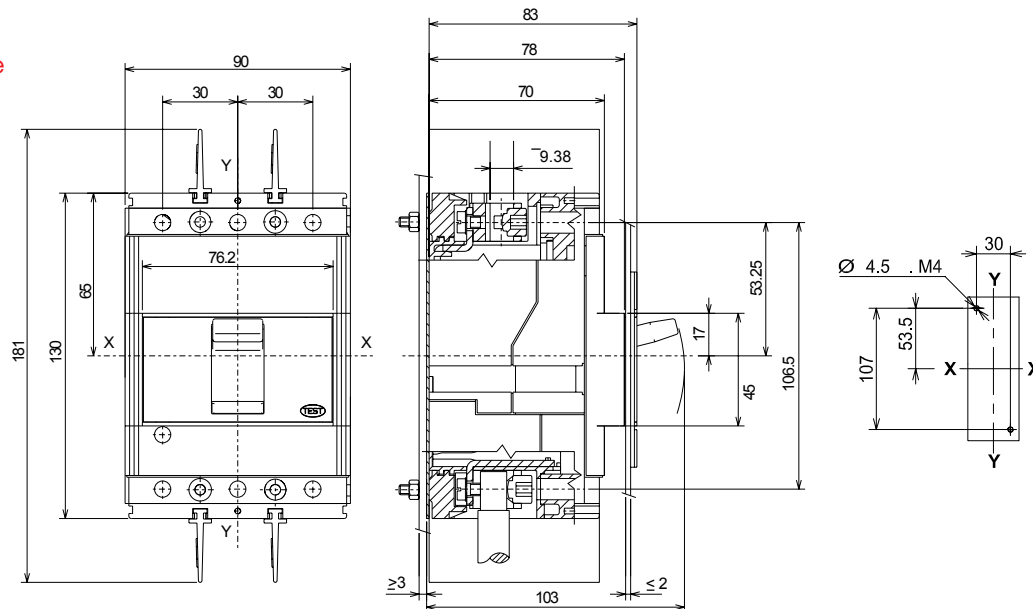
T1 — 3 pole



T1 — Single pole



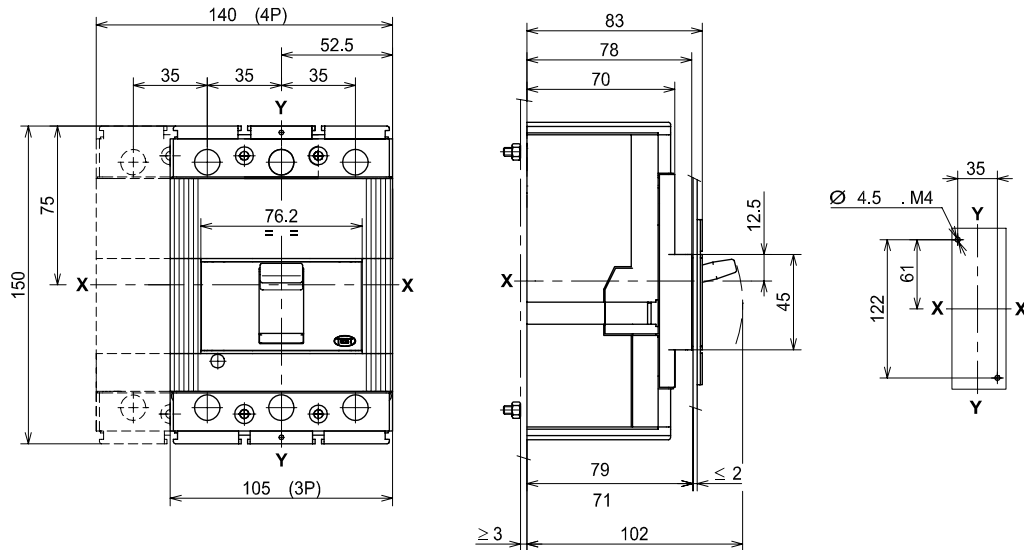
T2 — 2 & 3 pole



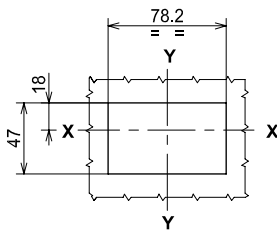
Approximate dimensions T3

Tmax
MCCBs

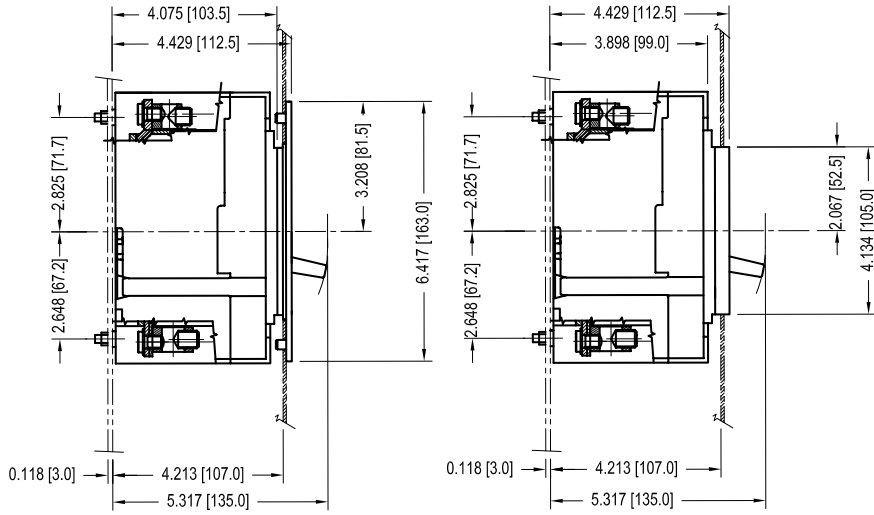
T3 — 2 & 3 pole



Door cut-out for Tmax without faceplate

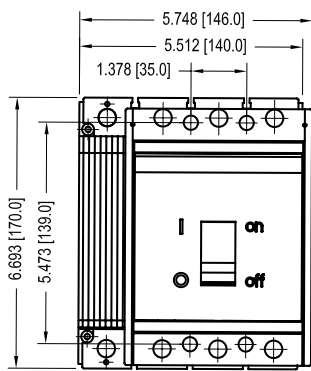


Approximate dimensions T3s

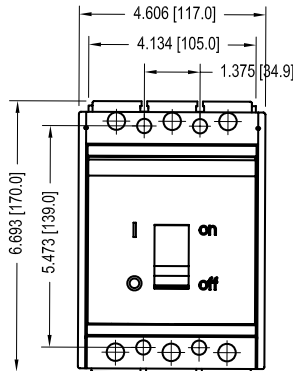


**T3S 3 & 4 POLE
SIDE VIEW
WITH FLANGE**

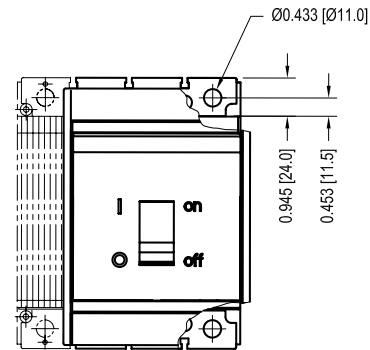
**T3S 3 & 4 POLE
SIDE VIEW
WITHOUT FLANGE**



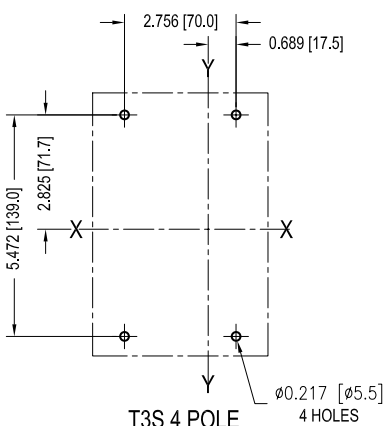
**T3S 4 POLE
FRONT VIEW**



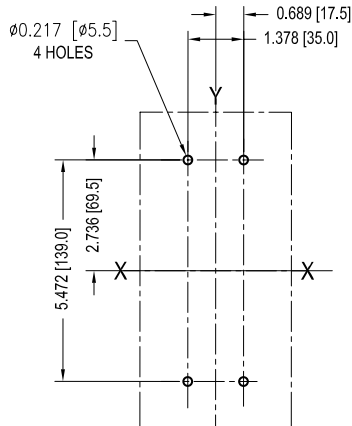
**T3S 3 POLE
FRONT VIEW**



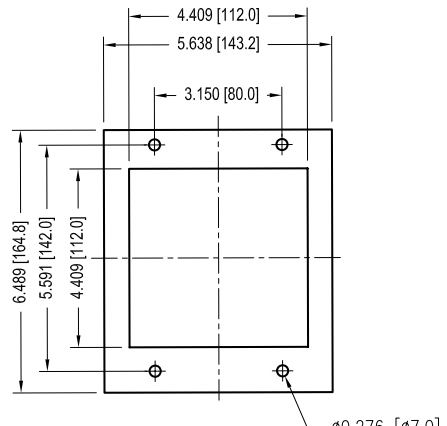
**T3S 3 & 4 POLE
FRONT CONNECTION
FRONT VIEW**



**T3S 4 POLE
DRILLING
FRONT VIEW**



**T3S 3 POLE
DRILLING
FRONT VIEW**



**T3S 3 POLE
HANDLE DOOR
CUT-OUT**

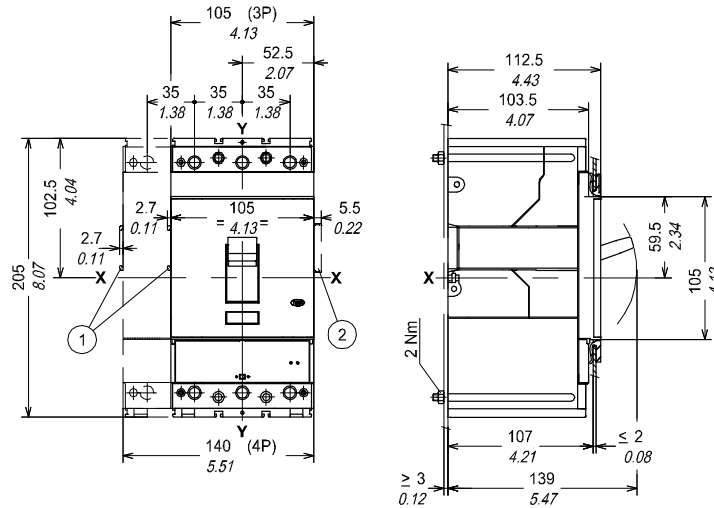
Approximate dimensions T4

Tmax
MCCBs

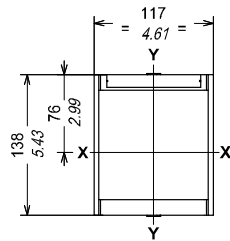
Fixed circuit breaker

Caption

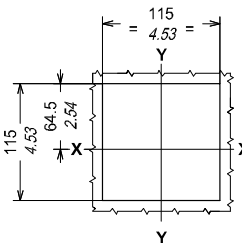
- ① Overall dimensions with cabled accessories mounted (SOR-C, UVR-C, RC221-222)
- ② Overall dimensions with cabled auxiliary contacts mounted (only 3Q 1SY)



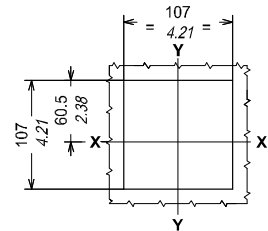
Flange for compartment door



Drilling templates of the compartment door



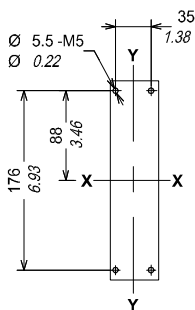
3-4 POLES
With flange



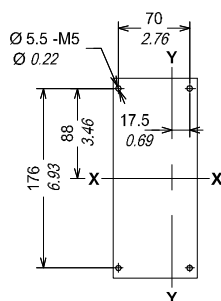
3-4 POLES
Without flange

Drilling templates for support sheet

For front terminals

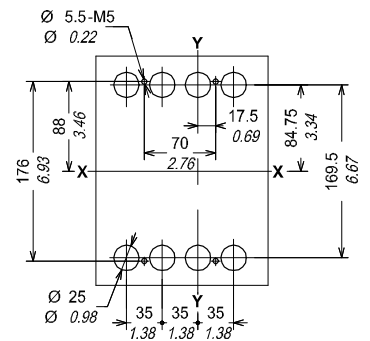
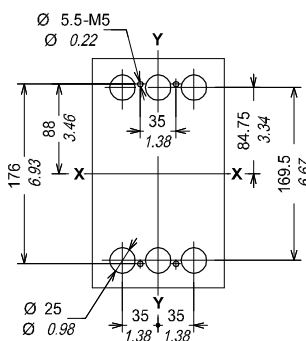


3 POLES



4 POLES

For rear terminals

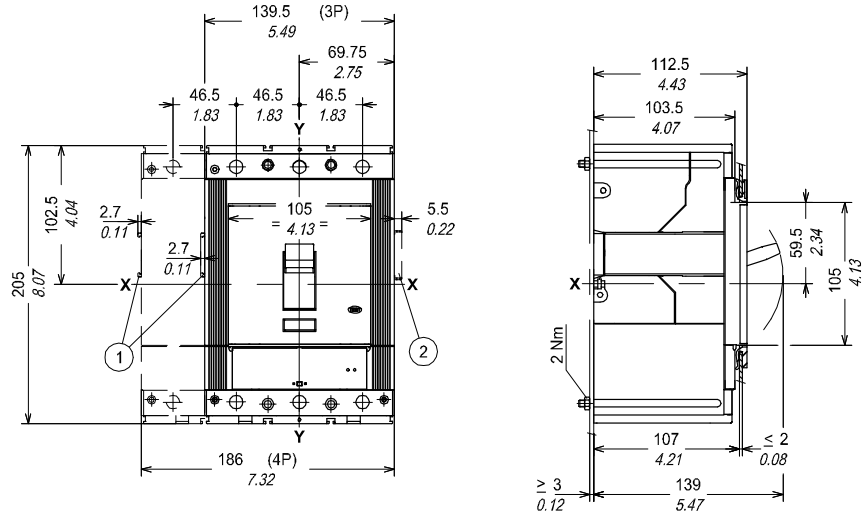


Fixed circuit breaker

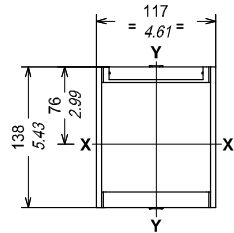
Fixing on sheet

Caption

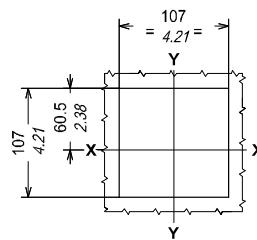
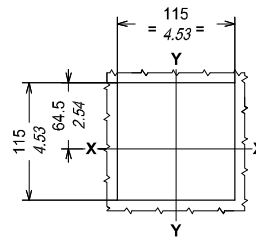
- ① Overall dimensions with cabled accessories mounted (SOR-C, UVR-C, RC221-222)
- ② Overall dimensions with cabled auxiliary contacts mounted (only 3Q 1SY)



Flange for compartment door



Drilling templates of the compartment door

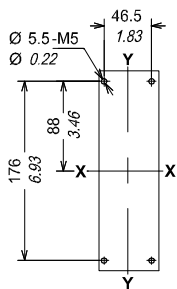


With flange (3-4 POLES)

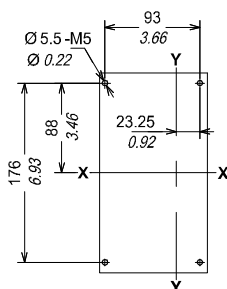
Without flange (3-4 POLES)

Drilling templates for support sheet

For front terminals

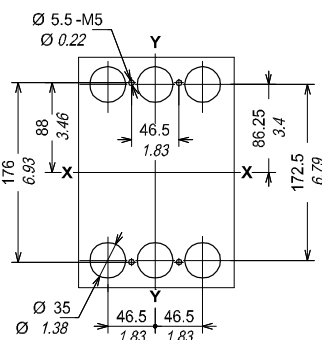


3 POLES

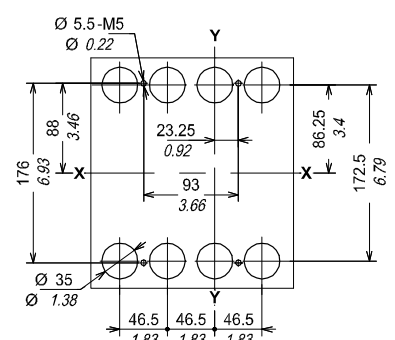


4 POLES

For rear terminals



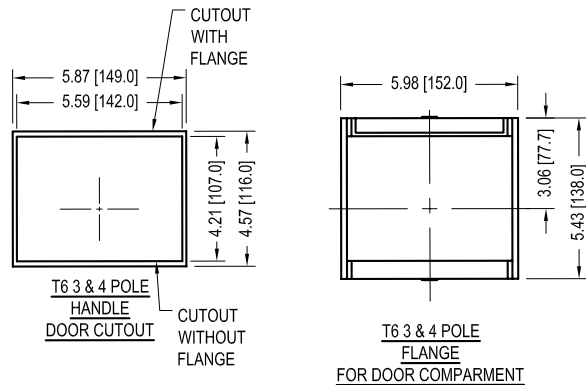
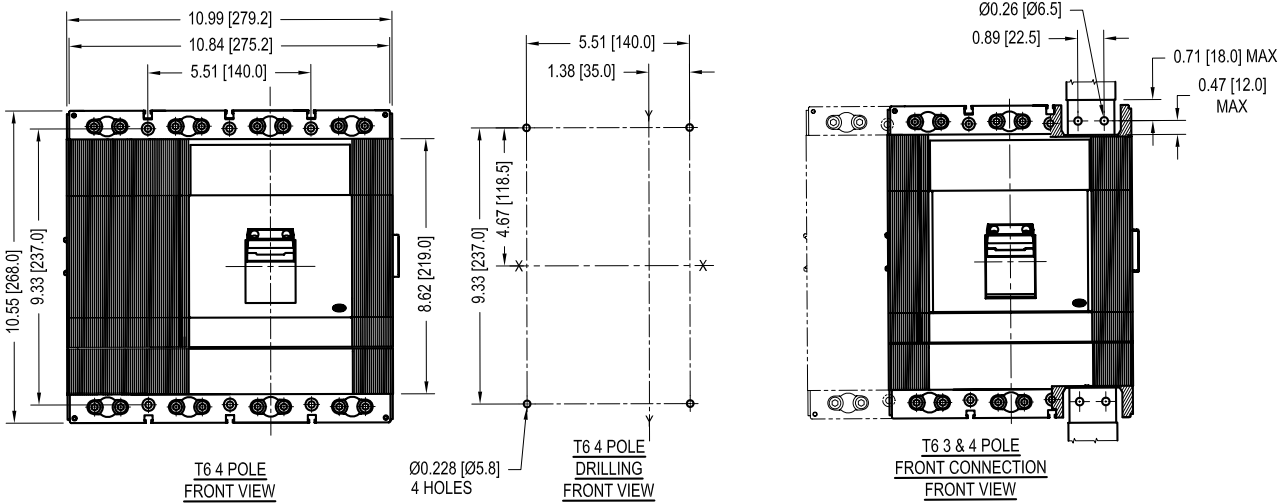
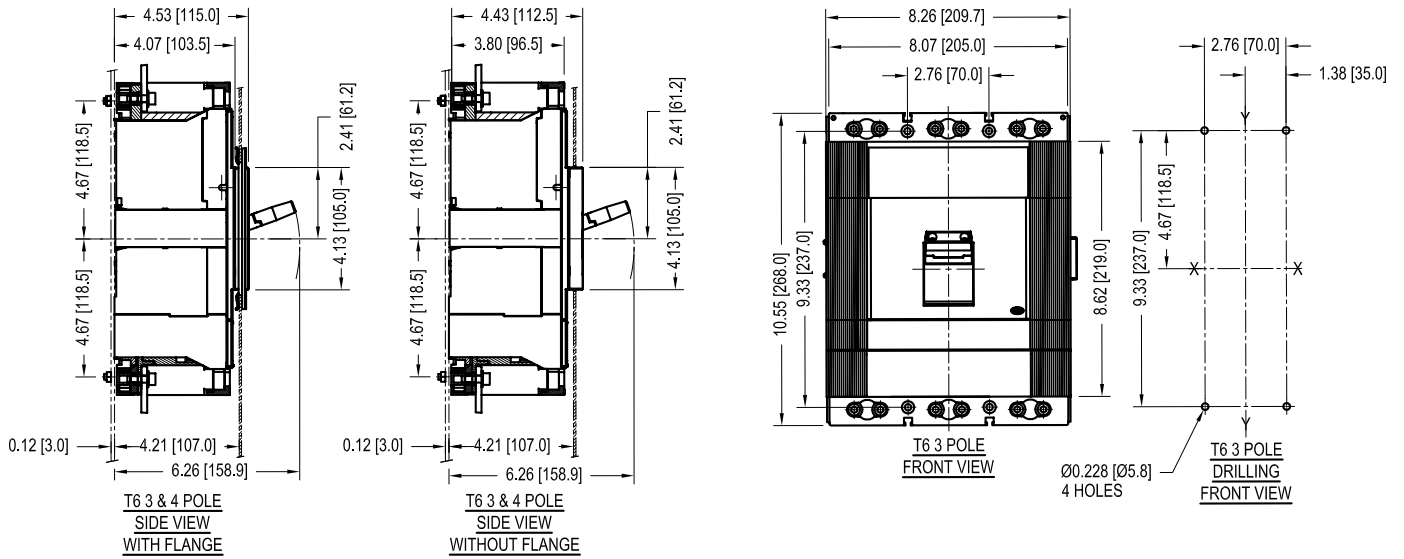
3 POLES



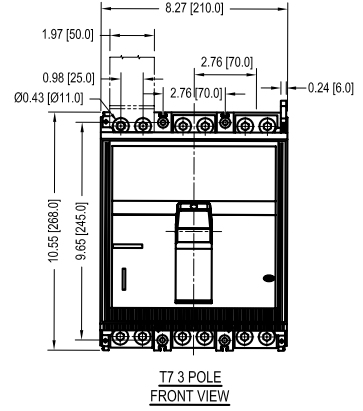
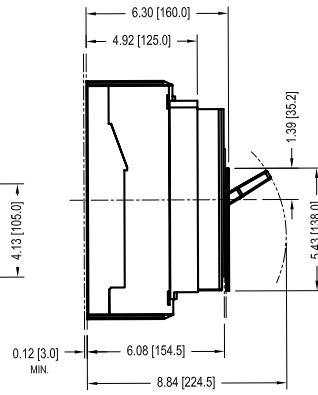
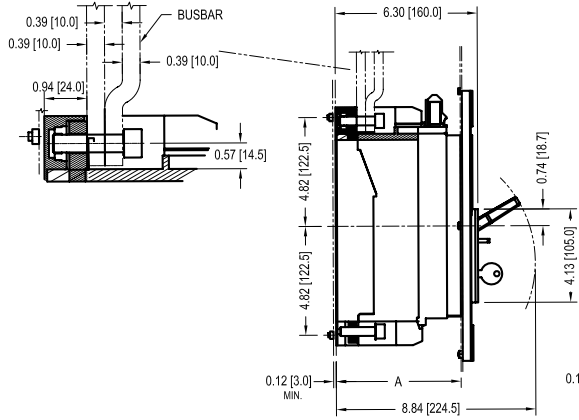
4 POLES

Approximate dimensions T6

Tmax
MCCBs



Approximate dimensions T7

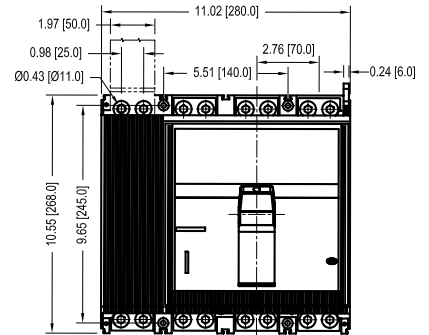


	WITH FLANGE	WITHOUT FLANGE
A	4.92 [125.0] - 5.55 [141.0]	5.79 [147.0]

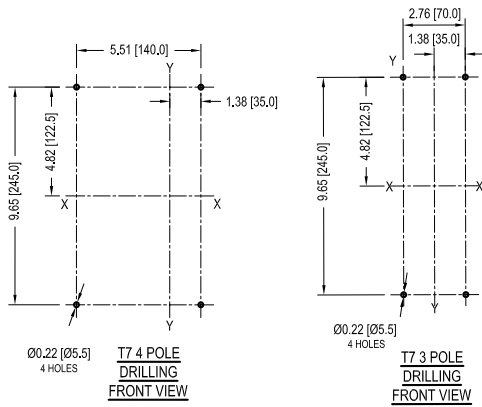
T7 3 & 4 POLE
SIDE VIEW
WITH FLANGE

T7 3 & 4 POLE
SIDE VIEW
WITH REDUCED FLANGE

T7 3 POLE
FRONT VIEW

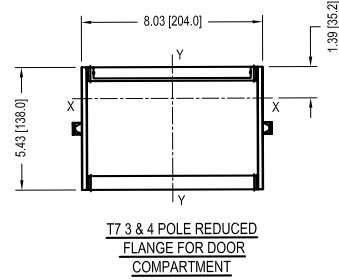


T7 4 POLE
FRONT VIEW

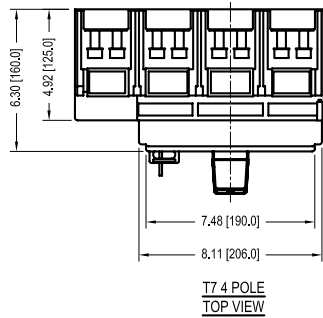


T7 4 POLE
DRILLING
FRONT VIEW

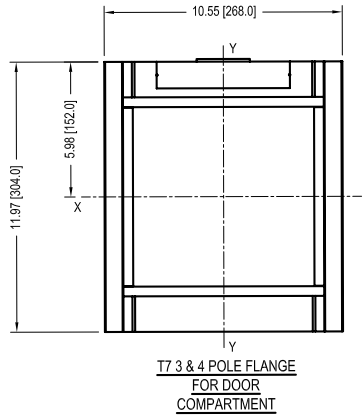
T7 3 POLE
DRILLING
FRONT VIEW



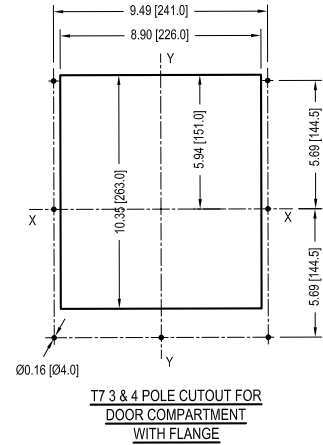
T7 3 & 4 POLE REDUCED
FLANGE FOR DOOR
COMPARTMENT



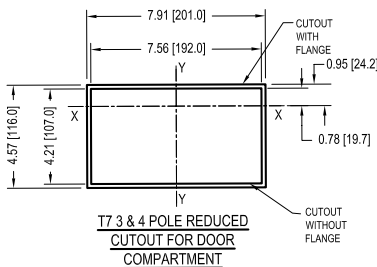
T7 4 POLE
TOP VIEW



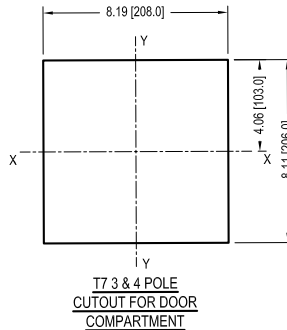
T7 3 & 4 POLE FLANGE
FOR DOOR
COMPARTMENT



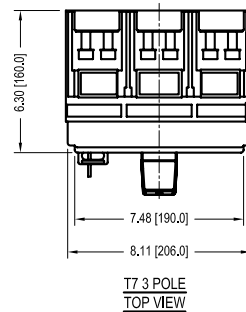
T7 3 & 4 POLE CUTOUT FOR
DOOR COMPARTMENT
WITH FLANGE



T7 3 & 4 POLE REDUCED
CUTOUT FOR DOOR
COMPARTMENT



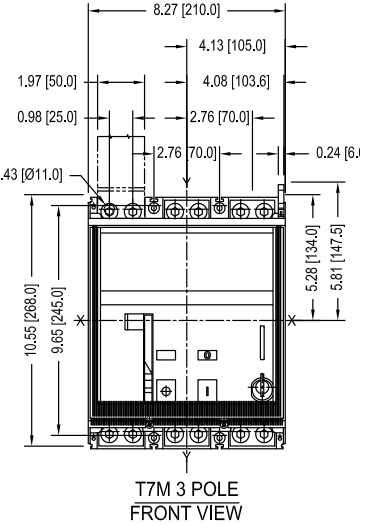
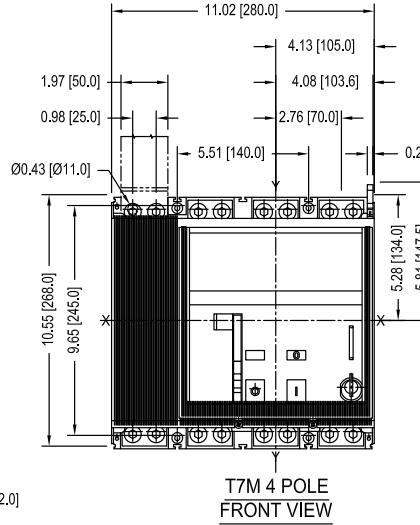
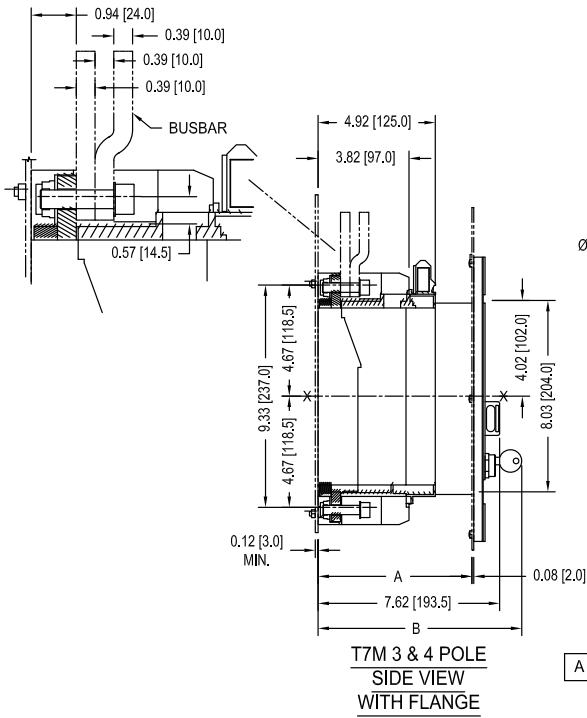
T7 3 & 4 POLE
CUTOUT FOR DOOR
COMPARTMENT



T7 3 POLE
TOP VIEW

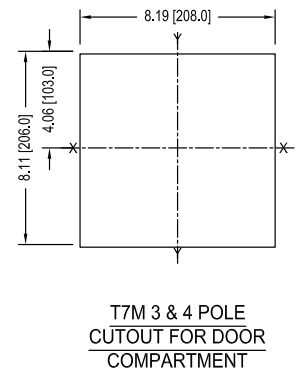
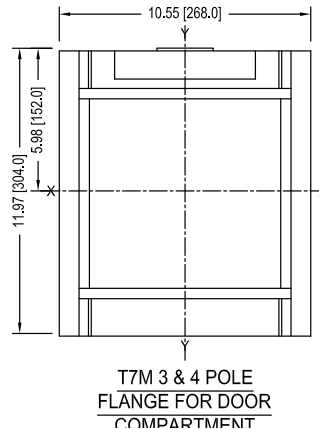
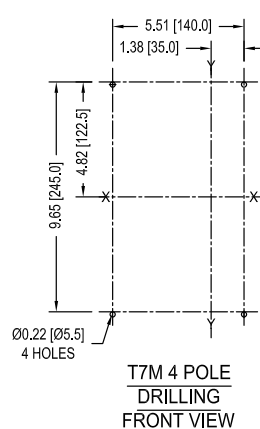
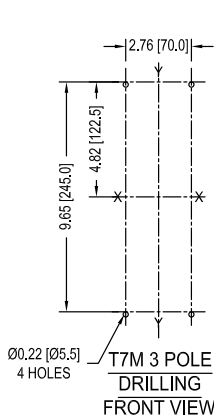
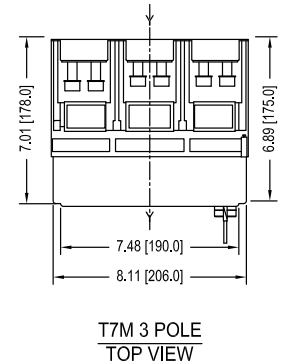
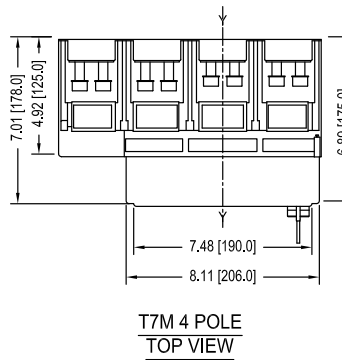
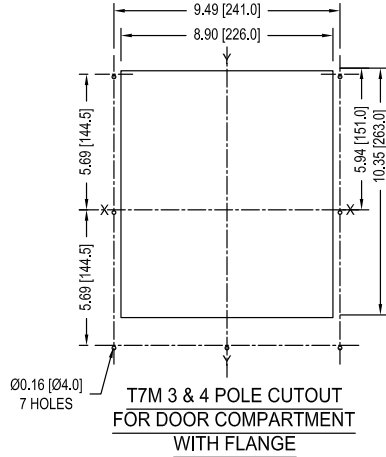
Approximate dimensions T7M Fixed, 3 Pole, front terminals

Tmax
MCCBs



	WITH FLANGE	WITHOUT FLANGE
A	4.92 [125.0]-6.46 [164.0]	6.69 [170.0]

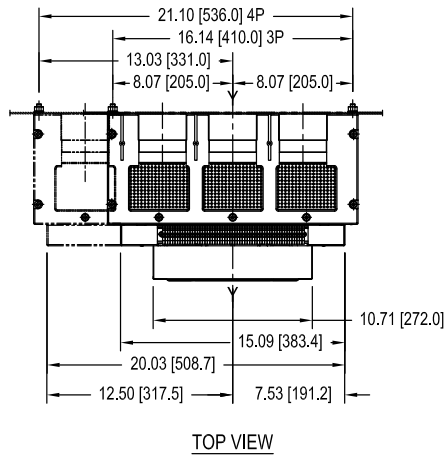
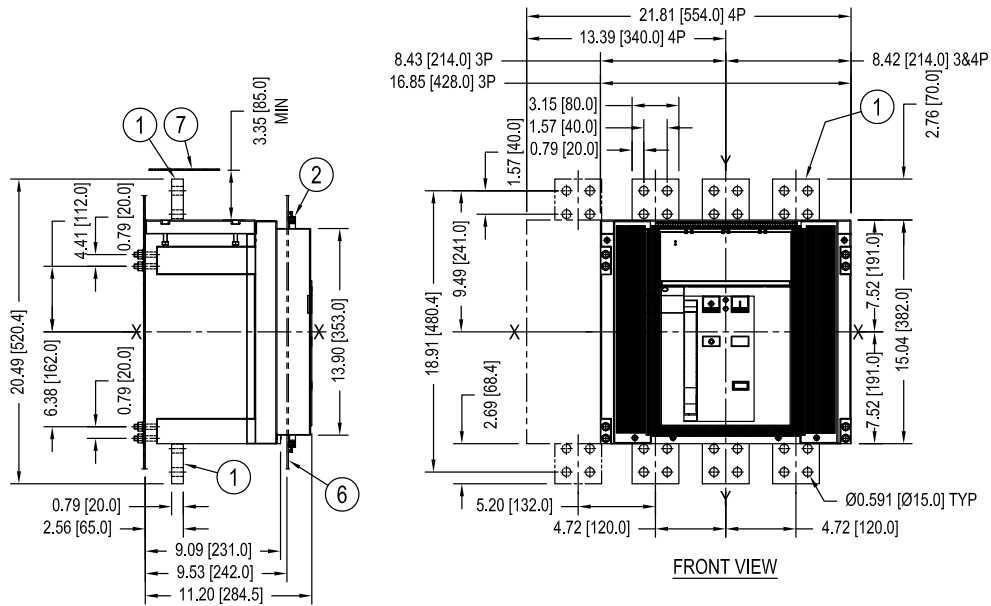
	STANDARD	RONIS	PROFALUX	KIRK	CASTEL
B	8.19 [208.0]	8.50 [216.0]	8.82 [224.0]	NO	NO



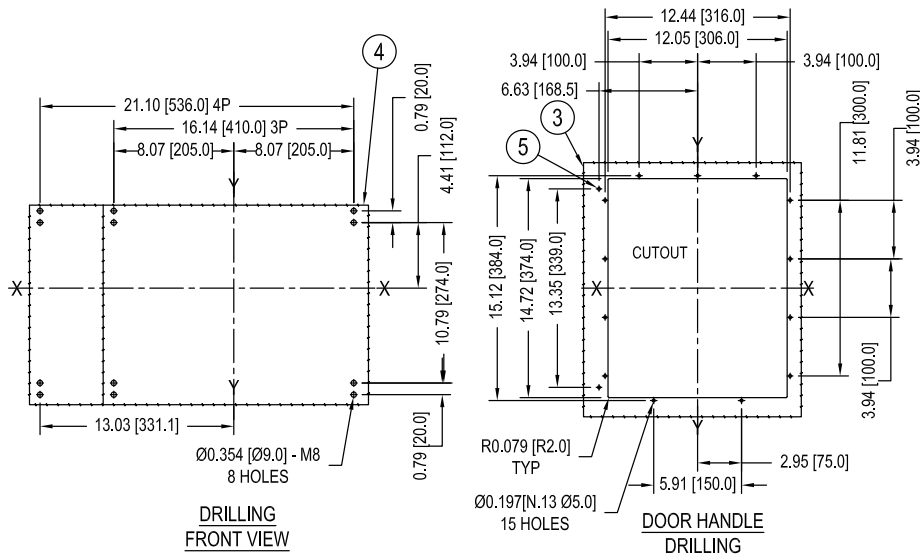
Approximate dimensions

T8, Fixed, 3 pole, front terminals

1600A, 2000A, 2500A

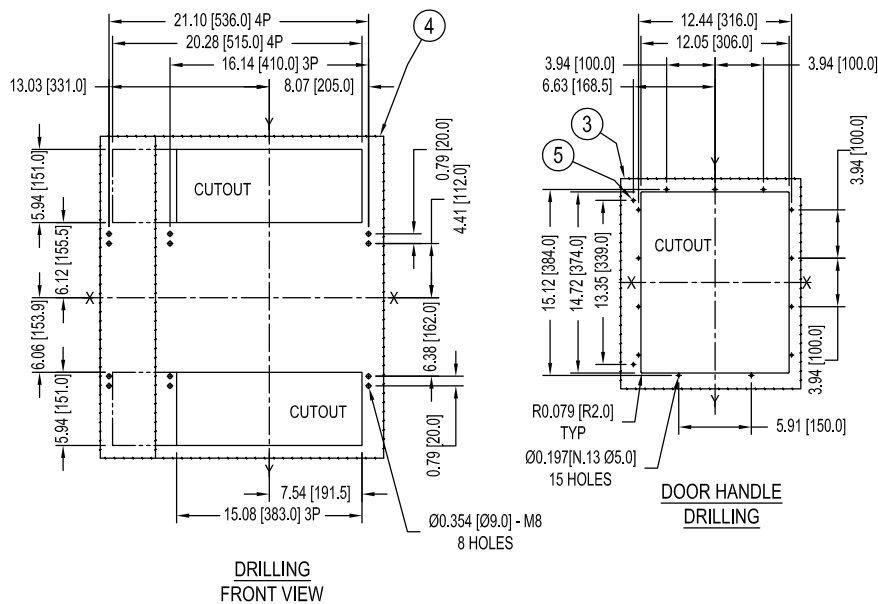
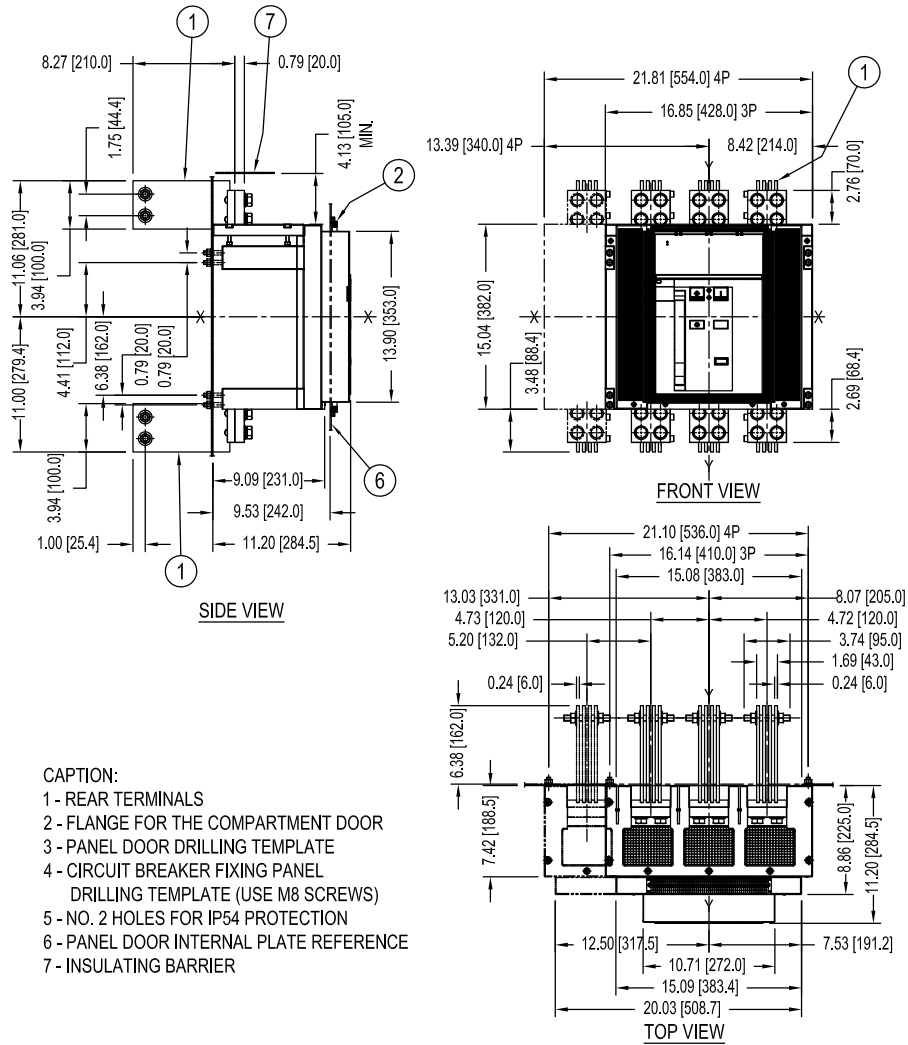


- CAPTION:
- 1 - FRONT TERMINALS
 - 2 - FLANGE FOR THE COMPARTMENT DOOR
 - 3 - PANEL DOOR DRILLING TEMPLATE
 - 4 - CIRCUIT BREAKER FIXING PANEL DRILLING TEMPLATE (USE M8 SCREWS)
 - 5 - NO. 2 HOLES FOR IP54 PROTECTION
 - 6 - PANEL DOOR INTERNAL PLATE REFERENCE
 - 7 - INSULATING BARRIER



Approximate dimensions
T8, Fixed, Vertical rear terminals
80% rated 3000A; 100% rated 2500A, 3000A

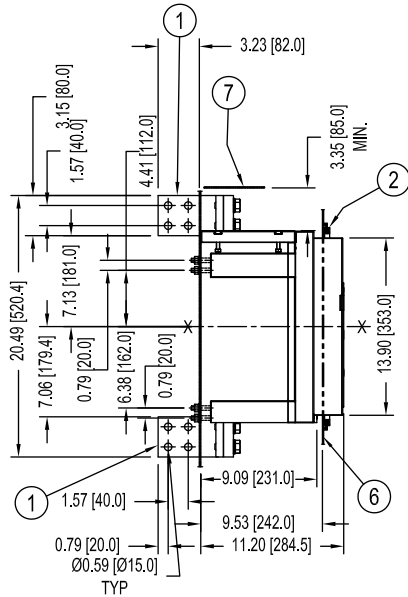
Tmax
MCCBs



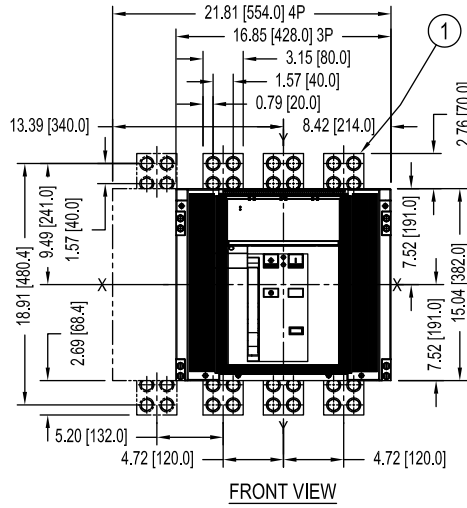
Approximate dimensions

T8, Fixed, Optional vertical rear terminals (KT82500VR-x)

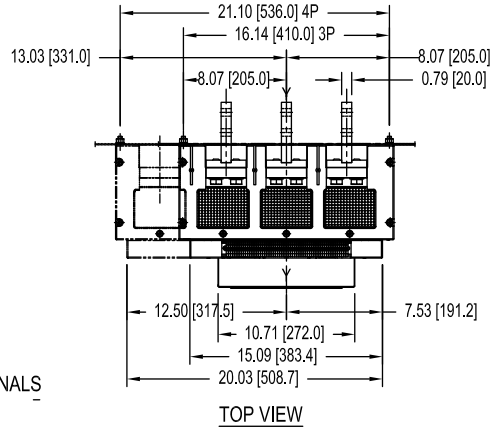
1600A/2000A/2500A



SIDE VIEW



FRONT VIEW

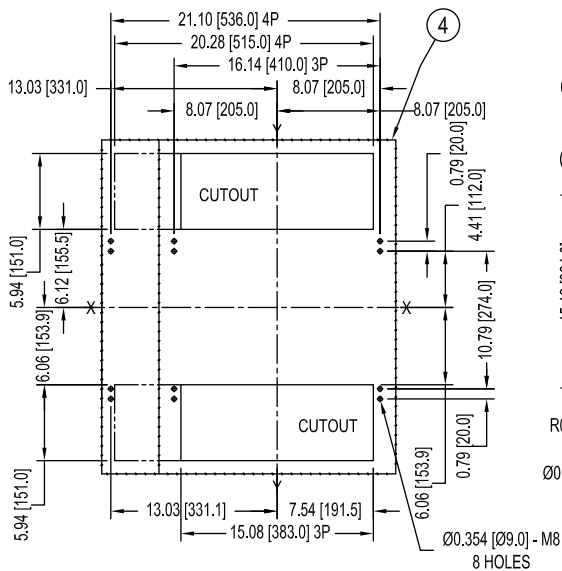


TOP VIEW

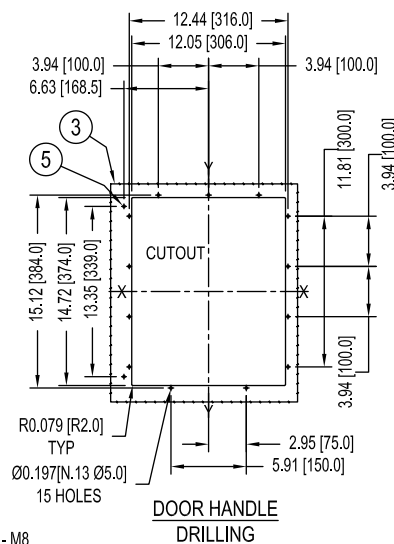
CAPTION:

- 1 - REAR TERMINALS
- 2 - FLANGE FOR THE COMPARTMENT DOOR
- 3 - PANEL DOOR DRILLING TEMPLATE
- 4 - CIRCUIT BREAKER FIXING PANEL DRILLING TEMPLATE (USE M8 SCREWS)
- 5 - NO. 2 HOLES FOR IP54 PROTECTION
- 6 - PANEL DOOR INTERNAL PLATE REFERENCE
- 7 - INSULATING BARRIER

SHOWN WITH OPTIONAL KT82500VR-6 TERMINALS



DRILLING FRONT VIEW

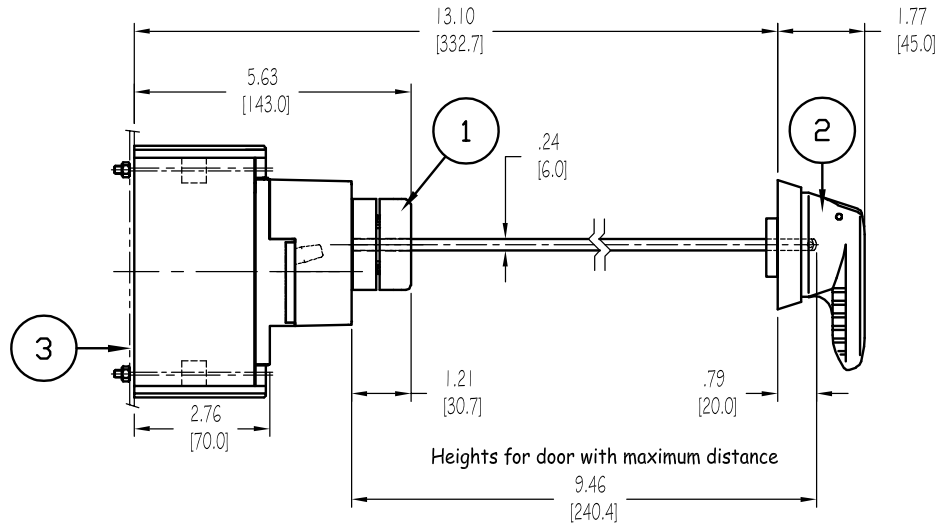


DOOR HANDLE DRILLING

Approximate dimensions T1 - T3 Variable depth mechanism with OHB handle

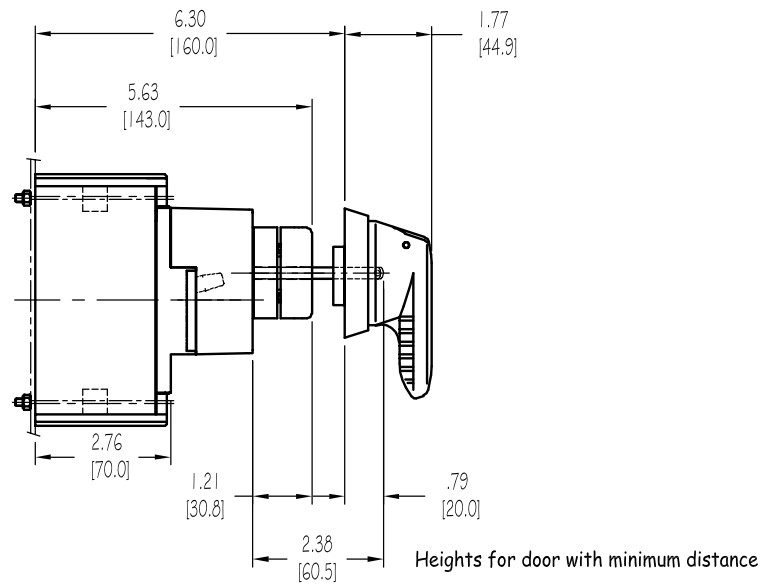
Tmax
MCCBs

Pistol handle operating mechanism on the compartment door



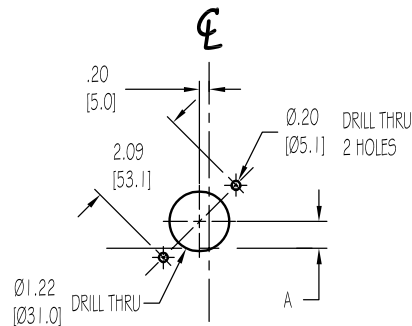
Caption

- ① Transmission unit
- ② Pistol handle operating mechanism on the compartment door
- ③ Insulating plate



Drilling template of the compartment door

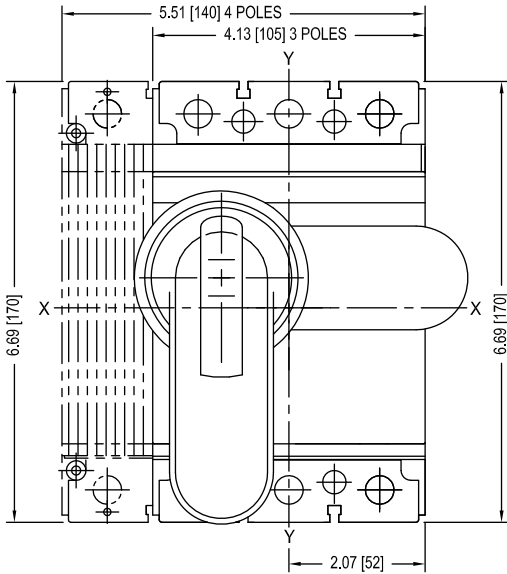
A	
T1 - T2	T3
0.55 [13.97]	0.37 [9.4]



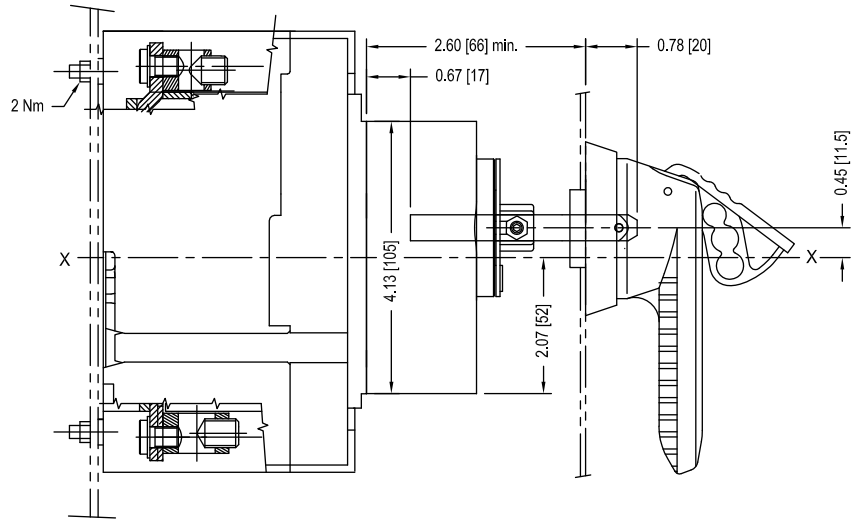
Approximate dimensions

Ts3

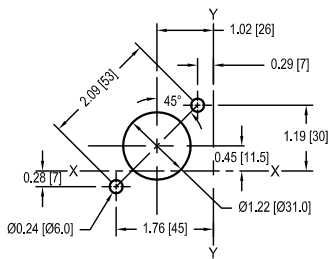
Variable depth mechanism with OHB handle



FRONT VIEW



SIDE VIEW



OHV HANDLE DRILLING

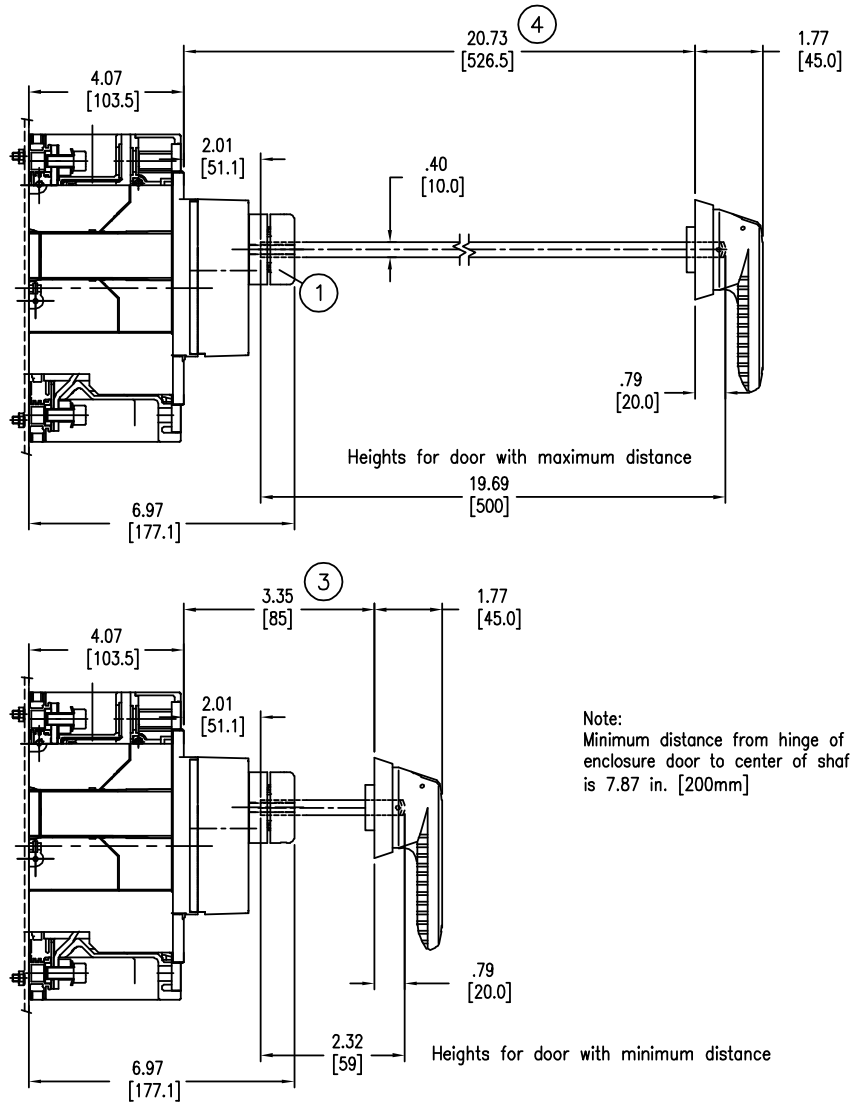
Approximate dimensions

T4 - T5

Variable depth mechanism with OHB handle

Tmax
MCCBs

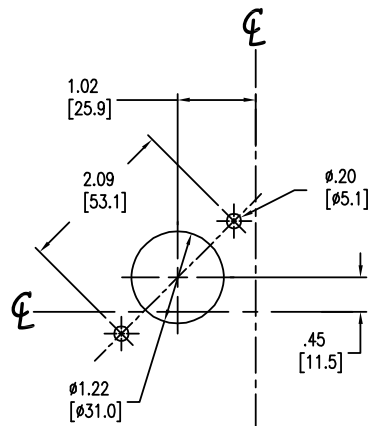
Pistol handle operating mechanism on the compartment door



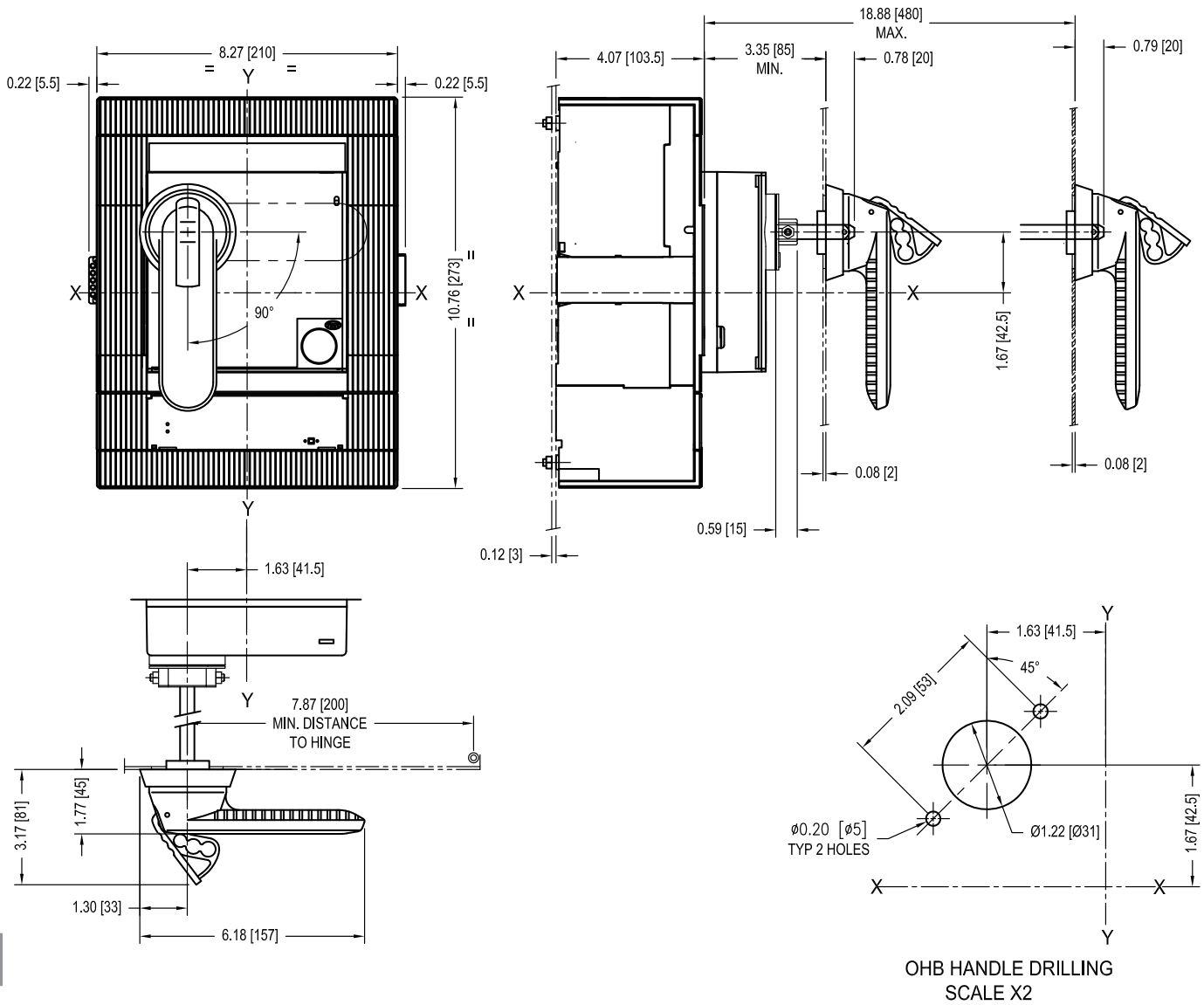
Caption

- ① Transmission unit
- ② Pistol handle operating mechanism on the compartment door
- ③ Minimum distance from the front door with accessory
- ④ Maximum distance from the front door with accessory

Drilling template of the compartment door

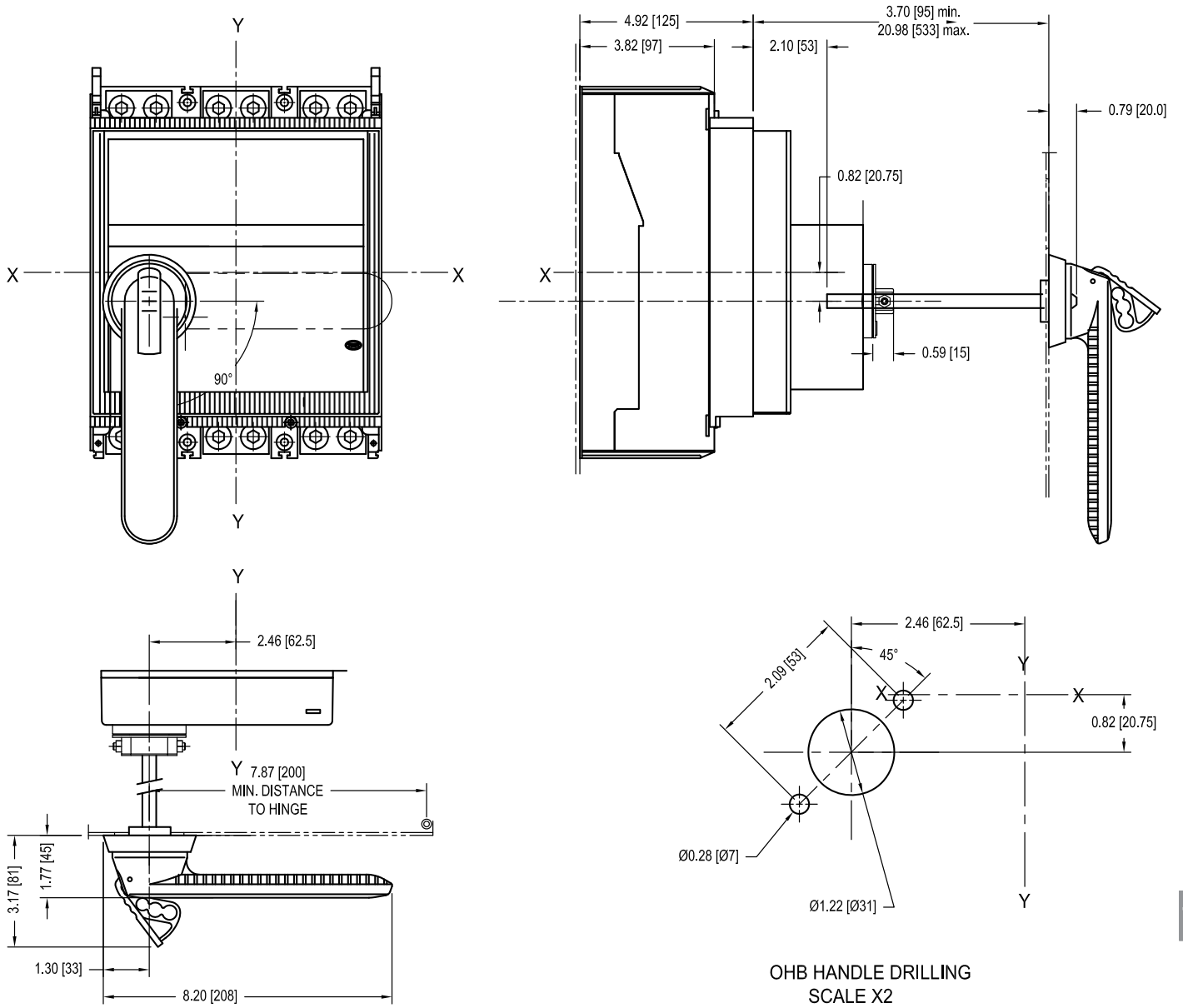


Approximate dimensions T6 Variable depth mechanism



Approximate dimensions
T7
Variable depth mechanism

Tmax
MCCBs



OHB HANDLE DRILLING
SCALE X2

