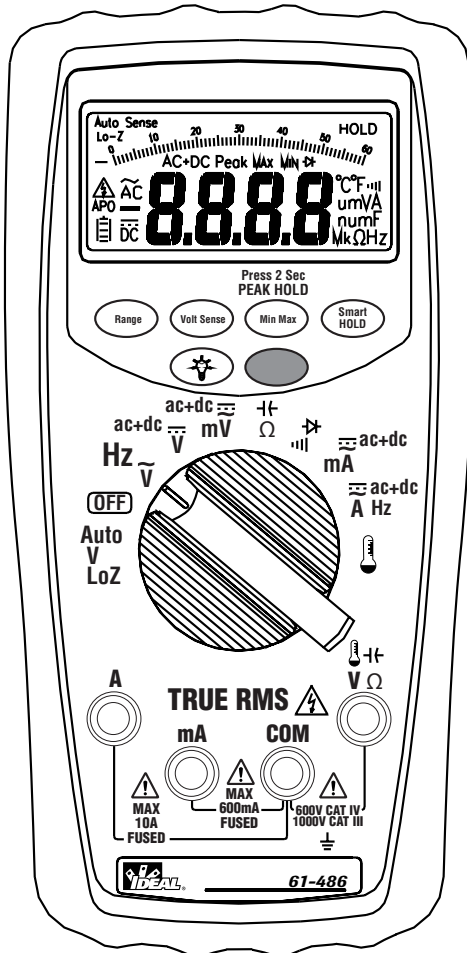




#61-484
#61-486

480 Series Digital Multimeter Instruction Manual



! Read First: Safety Information

Understand and follow operating instructions carefully. Use the meter only as specified in this manual; otherwise, the protection provided by the meter may be impaired.

! WARNING

To avoid possible electric shock, personal injury or death, follow these guidelines:

- Do not use if meter appears damaged. Visually inspect the meter to ensure case is not cracked and back case is securely in place.
- Inspect and replace leads if insulation is damaged, metal is exposed, or probes are cracked. Pay particular attention to the insulation surrounding the connectors.
- Do not use meter if it operates abnormally as protection maybe impaired.
- Do not use during electrical storms or in wet weather.
- Do not use around explosive gas, dust, or vapor.
- Do not apply more than the rated voltage to the meter.
- Do not use without the battery and the back case properly installed.
- Replace battery as soon as battery indicator flashes to avoid false readings.
- Remove the test leads from the circuit prior to removing battery cover.
- Do not attempt to repair this unit as it has no user-serviceable parts.

CAUTION

To protect yourself, think "Safety First":

- Voltages exceeding 30VAC or 60VDC pose a shock hazard so use caution.
- Use appropriate personal protective equipment such as safety glasses, face shields, insulating gloves, insulating boots, and/or insulating mats.
- Before each use:
 - Perform a continuity test by touching the test leads together to verify the functionality of the battery and test leads.



- Use the 3 Point Safety Method. (1) Verify meter operation by measuring a known voltage. (2) Apply meter to circuit under test. (3) Return to the known live voltage again to ensure proper operation.
- Use the proper terminals, functions and range for your measurements.
- Never ground yourself when taking electrical measurements.
- Connect the black common lead to ground or neutral before applying the red test lead to potential voltage. Disconnect the red test lead from the voltage first.
- Always work with a partner.
- When using the probes, keep fingers as far behind the probe tips as possible.

Symbols as marked on the meter and instruction manual

	Risk of electric shock
	See instruction manual
	DC measurement
	Equipment protected by double or reinforced insulation
	Battery
	Fuse
	Earth
	AC measurement
	Conforms to EU directives
	Do not discard this product or throw away

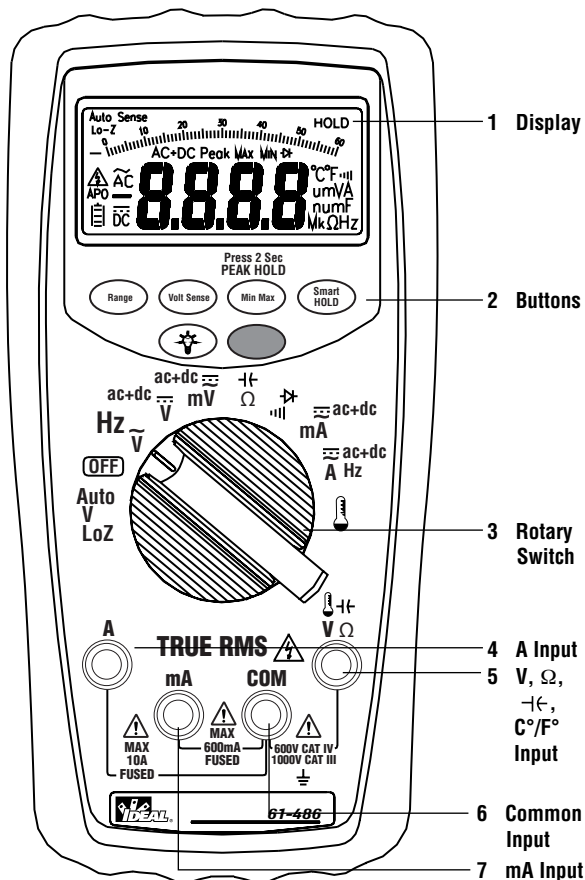
Unsafe Voltage

To alert you to the presence of a potentially hazardous voltage, when the Tester detects a voltage ≥ 30 V or a voltage overload (OL) in V, mV. The “” symbol is displayed and High voltage indicator is activated.

Meter Description

Front Panel Illustration

1. LCD display : 6000 counts
2. Push-buttons.
3. Rotary switch to turn the Power On / Off and select the function.
4. Input Terminal for A.
5. Input Terminal for V, Ω , μ C, Hz, $^{\circ}$ C/ $^{\circ}$ F $^{\circ}$ functions.
6. Common (Ground reference) Input Terminal.
7. Input Terminal for mA.



Features

- 6000 count digital display
- 62 segment bar graph
- Extra large scale display with white backlight
- True RMS
- 0.08% basic DCV accuracy
- Automatic AC/DC voltage detect with low impedance (Auto-V LoZ)
- VoltSense (Non-Contact Voltage detect)
- Smart Data hold
- Peak Hold (1ms) (61-486 only)
- Min/Max function
- AC+DC function
- Frequency counter on AC mode
- Capacitance measurement
- Temperature (61-486 only)
- Low battery indicator with segments
- Auto Power off (20 minutes)
- Shock proof from 4 feed drops
- CAT IV 600V/CAT III 1000V Safety standard

Unpacking & Inspection

Upon removing your new Digital Multimeter from its packaging, you should have the following items:

1. IDEAL 61-484/61-486 Digital Multimeter
2. Test leads, set (one black, one red)
3. Temperature Probe (61-486 only)
4. User Manual
5. Carrying Case
6. One 9V Battery (installed)

Making Basic Measurements

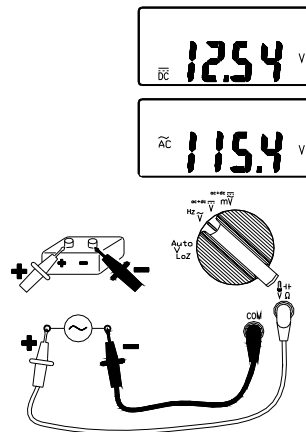
Preparation and Caution Before Measurement

⚠ : Observe the rules of ⚠ Warnings and ⚠ Cautions

⚠ CAUTION

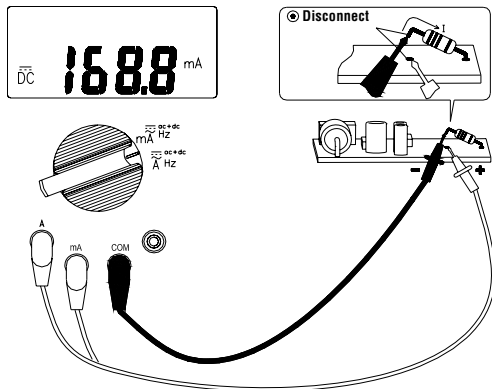
When connecting the test leads to the DUT (Device Under Test) connect the common test leads before connecting the live test leads. When removing the test leads, remove the live test leads before removing the common test leads.

Measuring AC / DC Voltage



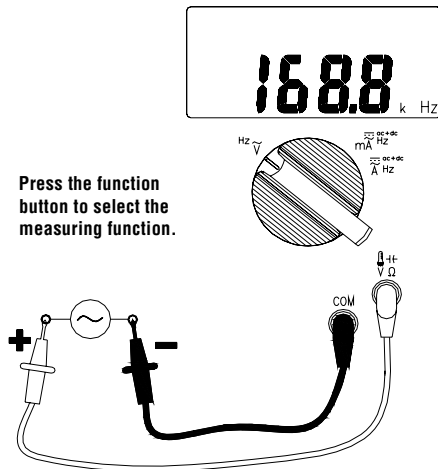
Turn the rotary switch and press the Function button to select the measuring function.

Measuring AC/DC Current



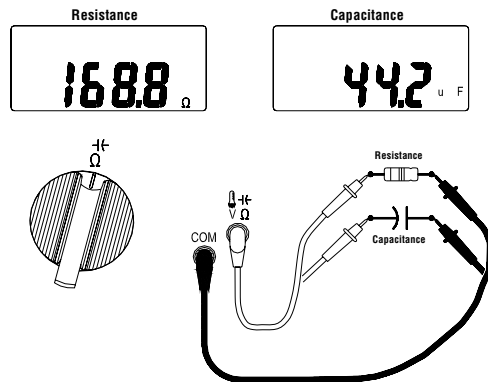
Turn the rotary switch and press the Function button to select the measuring function.

Measuring Frequency



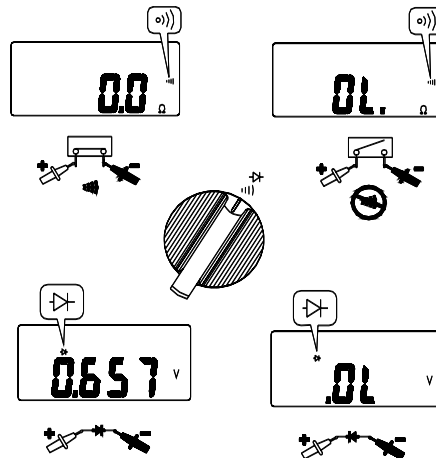
Turn the rotary switch and press the Function button to select the measuring function.

Measuring Resistance/Capacitance



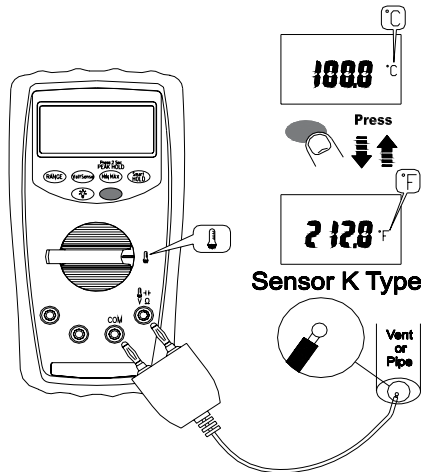
Turn the rotary switch and press the Function button to select the measuring function.

Measuring Continuity/Diode



Turn the rotary switch and press the Function button to select the measuring function.

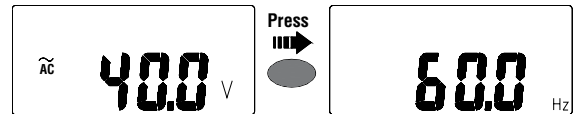
Measuring Temperature °F / °C (61-486 only)



Turn the rotary switch and press the Function button to select the measuring function. (°C / °F)

Using the Function

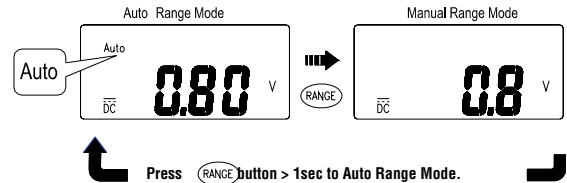
Function Button



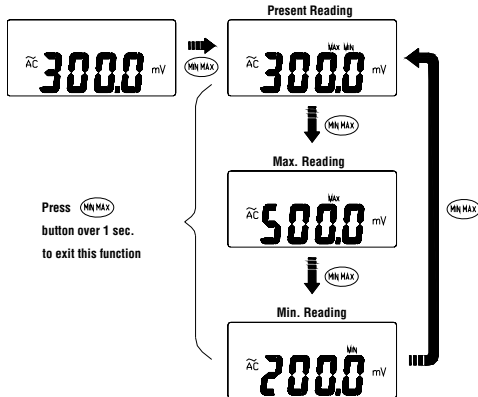
Switch Position	Function
Hz $\tilde{\sim}$	$\tilde{\sim}$ → Hz
ac+dc $\bar{\sim}$	$\bar{\sim}$ → ac+dc
mV $\bar{\sim}$	m $\tilde{\sim}$ → m $\bar{\sim}$ → ac+dc
$\bar{0}$	$\bar{0}$ → $\bar{0}$
$\bar{\sim}$	$\bar{\sim}$ → $\bar{\sim}$
mA Hz $\bar{\sim}$	m $\tilde{\sim}$ → Hz → m $\bar{\sim}$ → ac+dc
A Hz $\bar{\sim}$	$\tilde{\sim}$ → Hz → mA $\bar{\sim}$ → ac+dc
$\bar{\sim}$	°F → °C

Press the Function button to change the function on the same switch position.

RANGE Button

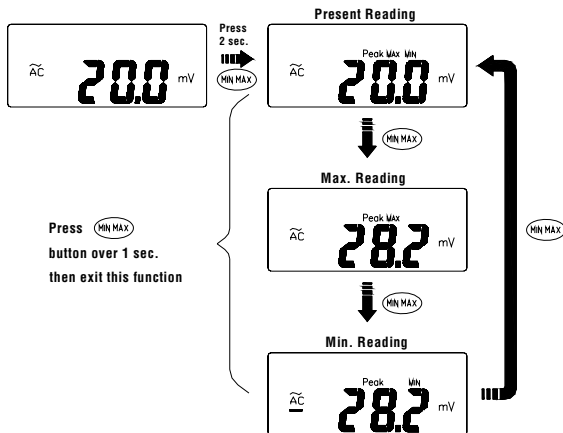


MIN/MAX



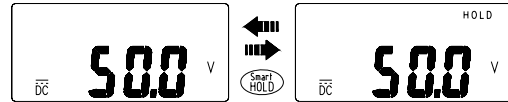
The MAX/MIN mode records the min. and max. input values. When the input goes below the recorded min. value or above the recorded max. value, the meter records the new value. Press Hold button to pause the recording.

Peak HOLD (61-486 only)



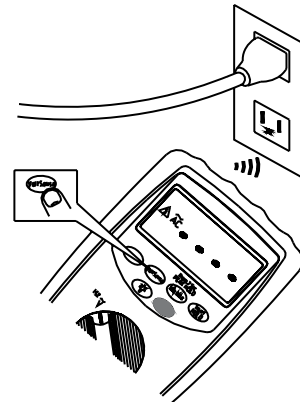
In the Peak Hold function, the meter records the peak min. value and the peak max. value when the inputs goes below the recorded peak min. value or above the recorded peak max. value, the meter records the new value. Press Hold button to pause the recording.

Smart HOLD



The meter will beep continuously and the display will flash if the measured signal is larger than the display reading by 50 counts. (However, it cannot detect across the AC and DC Voltage /Current).

VoltSense

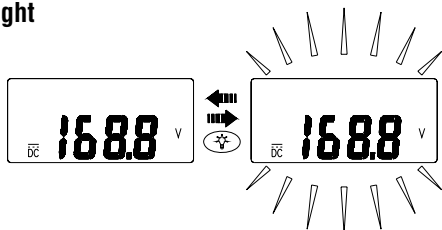


Keep the VoltSense button down to activate the VoltSense function.

! Caution

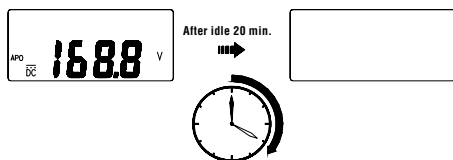
The number of dashes displaying on the display indicates the electric field intensity. If no indication, voltage could still be present. Always verify with leads.

Backlight



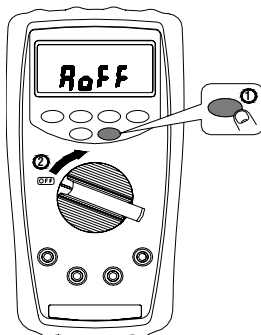
Press the Backlight button to turn the backlight on/off.

Disable Auto Power Off



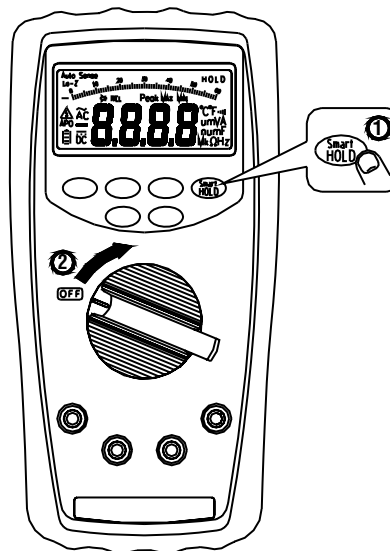
Wake-up the meter by dialing the switch or pressing any button.

Auto Power Off Disable



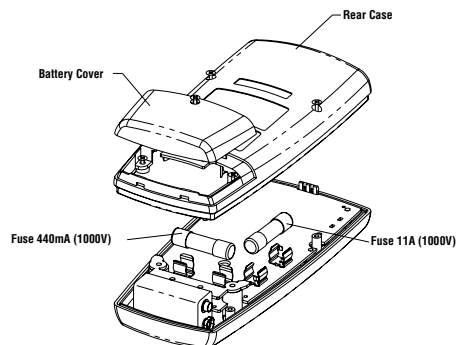
Turn the rotary switch to the off position, then press the Function button down while turning on the meter.

Testing LCD Monitor



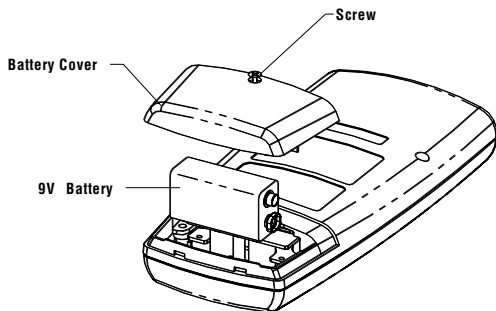
Turn the rotary switch to the off position, then press the Smart-HOLD button down while turning on the meter.

Fuse Replacement



Low Battery and Battery Replacement

Replace the battery as soon as the low battery indicator appears to avoid false readings. Refer to the following figure to replace the battery.



⚠ Caution

Remove test leads from the Meter before opening the battery cover or meter case.

Specifications

General Specifications

Maximum voltage applied to any terminal:

1000 Vac rms or 1000 Vdc. rms

Display: 6000 counts.

Polarity Indication:

Automatic, positive implied, negative indicated.

Overrange Indication:

Battery Life: 150hours ALKALINE Battery (No Backlight)

Low Battery Indication:

Voltage drops below operating voltage,  will flash.

Power Requirement: 9V battery

Auto Power Off: 20 minutes.

Operating Temperature: -10 ~10°C
10°C ~ 30°C (≤80% RH),
30°C ~ 40°C (≤75% RH),
40°C ~ 50°C (≤45%RH)

Storage Temperature:

-20°C to 60°C , 0 to 80% R.H. (batteries not fitted)

Temperature Coefficient:

0.15 x (Spec.Accy) / °C, < 18°C or > 28°C .

Measure: Samples 3 times per second.

Altitude: 6561.7 ft (2000m)

Safety Certification: Complies with EN61010-1, UL61010-1, IEC 61010-1, CAT IV 600V, CAT III 1000V



☐ Double Insulation

Instrument has been evaluated and complies with insulation category IV (overvoltage category IV). Pollution degree 2 in accordance with IEC-644. Indoor use.

CAT	Application to Field
I	The circuits not connected to mains.
II	The circuits directly connected to Low-voltage installation.
III	The building installation.
IV	The source of the Low-voltage installation.

Compliance to EN 61557: IEC61557-1, IEC61557-2, IEC61557-4, IEC61557-10

Weight: 460g (including battery)

Dimensions (W x H x D):

94mm x190mm x 48mm with holster.

Accessories Included: 9V Battery (installed), Test leads (TL-484) and user manual.

EMC: EN 61326-1

Shock vibration: Sinusoidal vibration per MIL-PRF- 28800F (5 ~ 55 Hz, 3g max.)

Drop Protection: 4 ft. drop onto hardwood over concrete floor.

Electrical Specifications

Accuracy is \pm (% reading + number of digits) at $23^{\circ}\text{C} \pm 5^{\circ}\text{C}$
 $< 80\% \text{RH}$.

(1) Voltage

Range	Resolution	For 61-484 Accuracy	For 61-486 Accuracy
60.00mV _{DC}	0.01mV		$\pm (0.08\% + 10\text{d})$
600.0mV _{DC}	0.1mV	$\pm (0.1\% + 2\text{d})$	$\pm (0.08\% + 2\text{d})$
6.000V _{DC}	0.001V	$\pm (0.09\% + 2\text{d})$	$\pm (0.08\% + 2\text{d})$
60.00V _{DC}	0.01V	$\pm (0.09\% + 2\text{d})$	$\pm (0.08\% + 2\text{d})$
600.0V _{DC}	0.1V	$\pm (0.09\% + 2\text{d})$	$\pm (0.08\% + 2\text{d})$
1000V _{DC}	1V	$\pm (0.09\% + 2\text{d})$	$\pm (0.08\% + 2\text{d})$
60.0mV _{AC}	0.01mV		$\pm (1.20\% + 5\text{d})$
600.0mV _{AC}	0.1mV	$\pm (1.5\% + 5\text{d})$	$\pm (1.20\% + 5\text{d})$
6.000V _{AC}	0.001V	$\pm (1.0\% + 3\text{d})$	$\pm (0.80\% + 5\text{d})$
60.00V _{AC}	0.01V	$\pm (1.0\% + 3\text{d})$	$\pm (0.80\% + 5\text{d})$
600.0V _{AC}	0.1V	$\pm (1.0\% + 3\text{d})$	$\pm (0.80\% + 5\text{d})$
1000V _{AC}	1V	$\pm (1.0\% + 3\text{d})$	$\pm (0.80\% + 5\text{d})$

Input Protection : 1000V_{DC} or 1000V_{AC} rms

AC Frequency Response : 50Hz ~ 1KHz

Input Impedance : 10M Ω , <100pF

AC Conversion Type :

AC conversions are ac-coupled, true rms responding, calibrated to the sine wave input.

For non-sine wave add the following Crest Factor corrections:

For Crest Factor of 1.4 to 2.0, add 1.0% to accuracy.

For Crest Factor of 2.0 to 2.5, add 2.5% to accuracy.

For Crest Factor of 2.5 to 3.0, add 4.0% to accuracy.

(2) Auto-V

Range	Resolution	For 61-484 Accuracy	For 61-486 Accuracy
600.0V _{AC}	0.1V	$\pm (1.0\% + 3\text{d})$	$\pm (0.80\% + 3\text{d})$
1000V _{AC}	1V		
600.0V _{AC}	0.1V		
1000V _{AC}	1V		

Input Protection : 1000VDC or 1000VAC rms

AC Frequency Response : 50Hz ~ 1KHz

Input Impedance : Approx. 3k Ω .

AC Conversion Type :

Conversion type and additional specification are same as voltage function.

(3) Current

Range	Resolution	For 61-484 Accuracy	For 61-486 Accuracy
60.00mA _{DC}	0.01mA	$\pm (1.0\% + 3\text{d})$	$\pm (0.08\% + 3\text{d})$
600.0mA _{DC}	0.1mA	$\pm (1.0\% + 3\text{d})$	$\pm (0.08\% + 3\text{d})$
6.000A _{DC}	0.001A	$\pm (1.0\% + 3\text{d})$	$\pm (0.08\% + 3\text{d})$
10.00A _{DC}	0.01A	$\pm (1.0\% + 3\text{d})$	$\pm (0.08\% + 3\text{d})$
60.0mA _{AC}	0.01mA	$\pm (1.5\% + 3\text{d})$	$\pm (1.2\% + 3\text{d})$
600.0mA _{AC}	0.1mA	$\pm (1.5\% + 3\text{d})$	$\pm (1.2\% + 3\text{d})$
6.000A _{AC}	0.001A	$\pm (1.5\% + 3\text{d})$	$\pm (1.2\% + 3\text{d})$
10.00A _{AC}	0.01A	$\pm (1.5\% + 3\text{d})$	$\pm (1.2\% + 3\text{d})$

Input Protection :

Equipped with High Energy Fuse.

440mA, 1000V AC/DC 10KA Fuse for mA input.

11A, 1000V AC/DC 20KA Fuse for A input.

Max. Measuring Time : 3 minutes for A input, 10 minutes for mA input.

Rest time 20 minutes min.

AC Conversion Type :

Conversion type and additional specification are same as volt-age function.

AC Frequency Response : 50Hz ~ 1KHz

(4) Peak Hold (for 61-486 only) : Specified accuracy $\pm 150d$.

(5) Resistance

Range	Resolution	Accuracy
600.0 Ω	0.1 Ω	$\pm (0.08\% + 5d)$
6.000K Ω	0.001K Ω	$\pm (0.08\% + 2d)$
60.00K Ω	0.01K Ω	
600.0K Ω	0.1K Ω	
6.000M Ω	0.001M Ω	
40.00M Ω^*	0.01M Ω	$\pm (1.0\% + 5d)$

Input Protection : 1000VDC or 1000VAC rms

Max. Open Circuit Voltage :

Approx. 2.5V for 600 Ω & 6k Ω Range.

Approx. 0.6V for others.

Max. Test Current : Approx. 0.1mA.

(6) Continuity Check

Range	Resolution	Accuracy
600.0 Ω	0.1 Ω	$\pm (0.8\% + 5d)$

Input Protection : 1000VDC or 1000VAC rms

Max. Open Circuit Voltage : Approx. 2.5V

Max. Test Current : Approx. 0.1mA

Continuity Threshold : <30 Ω Beep On.

>100 Ω Beep OFF.

Continuity Indicator : 2.7KHz Tone Buzzer

(7) Diode Test

Range	Resolution	Accuracy
2.000V	1mV	$\pm (1.5\% + 2d)$

Input Protection : 1000VDC or 1000VAC rms

Max. Open Circuit Voltage : Approx. 2.5V

Max. Test Current : Approx. 0.4mA

(8) Capacitance

Range	Resolution	Accuracy
1.000 μ F	0.001 μ F	$\pm (1.2\% + 2d)$
10.00 μ F	0.01 μ F	
100.0 μ F	0.1 μ F	
1.000mF	0.001mF	
10.00mF	0.01mF	

Input Protection : 1000VDC or 1000VAC rms

Max. Measuring Time : 0.7 sec for 1nF~1mF

3 sec for 1mF~10mF

(9) Frequency Counter

Range	Resolution	Accuracy
100.00 Hz	0.1 Hz	$\pm (0.1\% + 2d)$
1000.0 Hz	0.1 Hz	
10.000 KHz	0.001 KHz	
100.00 KHz	0.01 KHz	

Input Protection : 1000VDC or 1000VAC rms

Min. Frequency : 1Hz

Sensitivity : > 5.0Vp-p (for ACV 1HZ ~ 10kHz).

> 10Vp-p (for ACV 10kHz ~ 100kHz)

> 2mA_{p-p} (for ACmA)

> 0.2A_{p-p} (for ACA)

(10) Temperature (For 61-486 only)

Range	Resolution	Accuracy*
-40.0°C ~ 400°C	0.1°C	$\pm (1.0\% + 10d)$
-40.0°F ~ 752°F	0.1°F	$\pm (1.0\% + 18d)$

Input Protection : 1000VDC or 1000VAC rms

* Does not include accuracy of the thermocouple probe.

* Accuracy specification assumes surrounding temperature stable to $\pm 1^\circ\text{C}$. For surrounding temperature changes of $\pm 5^\circ\text{C}$, rated accuracy applies after 2 hours.

Note : The AC+DC True RMS value might be over the selected range since the AC signal may add on the DC level.

(11) AC+DC Voltage

Range	Resolution	For 61-484 Accuracy	For 61-486 Accuracy
6.000V	0.001V	$\pm (2.5\% + 5d)$	$\pm (2\% + 5d)$
60.00V	0.01V		
600.0V	0.1V		
1000V	1V		

Additional specifications are the same as voltage function.

(12) AC+DC mV

Range	Resolution	For 61-484 Accuracy	For 61-486 Accuracy
60.00mV	0.1mV	$\pm (2.5\% + 5d)$	$\pm (2\% + 10d)$
600.0mV	.1mV		

Additional specifications are the same as voltage function.

(13) AC+DC mA

Range	Resolution	For 61-484 Accuracy	For 61-486 Accuracy
60.00mA	0.1mA	$\pm (2.5\% + 5d)$	$\pm (2\% + 5d)$
600.0mA	.1mA		

Additional specifications are the same as current function.

(14) AC+DC A

Range	Resolution	For 61-484 Accuracy	For 61-486 Accuracy
600.0A	0.001VA	$\pm (2.5\% + 5d)$	$\pm (2\% + 5d)$
10.00A	0.01A		

Additional specifications are the same as current function.

Maintenance

Do not attempt to repair this meter. It contains no user serviceable parts. Repair or servicing should only be performed by qualified personnel.

Cleaning

Periodically, wipe the case with a dry cloth and detergent. Do not use abrasives or solvents.

Dispose of waste electrical and electronic equipment



In order to preserve, protect and improve the quality of environment, protect human health and utilize natural resources prudently and rationally, the user should return unserviceable product to relevant facilities in accordance with statutory regulations. The crossed-out wheeled bin indicates the product needs to be disposed separately and not as municipal waste.



Disposal of used batteries/accumulators!



The user is legally obliged to return used batteries and accumulators. Disposing used batteries in the household waste is prohibited! Batteries/accumulators containing hazardous substances are marked with the crossed-out

wheeled bin. The symbol indicates that the product is forbidden to be disposed via the domestic refuse. The chemical symbols for the respective hazardous substances are **Cd** = Cadmium, **Hg** = Mercury, **Pb** = Lead.

You can return used batteries/accumulators free of charge to any collecting point of your local authority, our stores, or where batteries/accumulators are sold. Consequently you comply with your legal obligations and contribute to environmental protection.

Warranty Statement:

This tester is warranted to the original purchaser against defects in material and workmanship for two years from the date of purchase. During this warranty period, IDEAL INDUSTRIES, INC. will, at its option, replace or repair the defective unit, subject to verification of the defect or malfunction. This warranty does not apply to defects resulting from abuse, neglect, accident, unauthorized repair, alteration, or unreasonable use of the instrument.

Any implied warranties arising out of the sale of an IDEAL product, including but not limited to implied warranties of merchantability and fitness for a particular purpose, are limited to the above. The manufacturer shall not be liable for loss of use of the instrument or other incidental or consequential damages, expenses, or economic loss, or for any claim or claims for such damage, expenses or economic loss.

State laws vary, so the above limitations or exclusions may not apply to you. This warranty gives you specific legal rights, and you may also have other rights which vary from state to state.

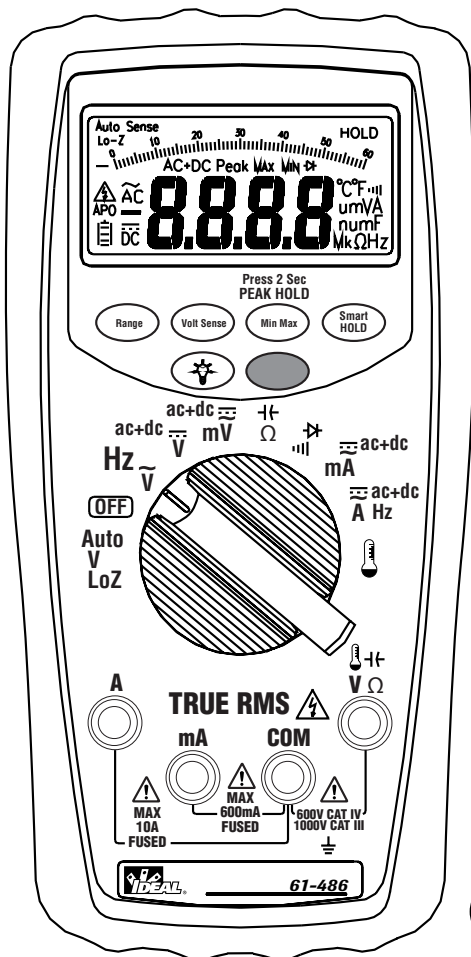
Warranty does not cover batteries or test leads.



#61-484
#61-486

Multímetro digital serie 480

Manual de Instrucciones



! **Lea primeramente: Información de seguridad**
Asegúrese de entender y seguir cuidadosamente las instrucciones de operación. Use el instrumento sólo como se especifica en este manual. De lo contrario, la protección que proporciona el mismo puede reducirse.

! ADVERTENCIA

Para evitar posibles riesgos de electrocución, lesiones o la muerte, siga estas pautas:

- No use el instrumento si el mismo parece estar dañado. Inspecciónelo visualmente para asegurarse de que la cubierta no esté fisurada y que la parte trasera de la misma esté firmemente colocada en su sitio.
- Inspeccione y reemplace los cables si el aislamiento está dañado, hay piezas metálicas expuestas o las sondas están fisuradas. Preste particular atención al aislamiento de alrededor de los conectores.
- No use el instrumento si funciona en forma anormal, porque puede verse reducida la protección.
- No use el instrumento durante tormentas eléctricas o con tiempo húmedo.
- No use el instrumento cerca de gases explosivos, polvo o vapor.
- No aplique al instrumento voltajes superiores al nominal.
- No use el instrumento sin la batería ni si la parte posterior de la cubierta no está instalada correctamente.
- Reemplace las baterías tan pronto aparezca en el indicador de las mismas (insert symbol), a fin de evitar lecturas falsas.
- Retire los cables de prueba del circuito antes de desmontar la tapa de las baterías.
- No intente reparar esta unidad puesto que no tiene piezas reparables por el usuario.

PRECAUCIÓN

Para protegerse, piense ¡La seguridad primero!:

- Los voltajes superiores a 30 VCA o 60 VCC representan un riesgo de electrocución, por lo que debe trabajar con precaución.
- Use equipos de protección personal apropiados, tales como gafas de seguridad, máscaras faciales, guantes, calzado y/o alfombras aislantes.
- Antes de cada uso.



- Realice una prueba de continuidad poniendo en contacto los cables de prueba para verificar el funcionamiento de la batería y los cables.
- Use el método de seguridad de 3 puntos. (1) Verifique el funcionamiento del instrumento midiendo un voltaje conocido. (2) Aplique el instrumento al circuito en prueba. (3) Vuelva al voltaje conectado conocido para asegurarse de que el funcionamiento es correcto.
- Use las terminales, las funciones y el rango para sus mediciones.
- No se conecte a tierra cuando tome medidas eléctricas.
- Conecte el cable negro común a tierra o al neutro antes de aplicar el cable rojo al voltaje potencial. Desconecte primero el cable rojo del voltaje.
- Trabaje siempre con un compañero.
- Al utilizar las sondas, mantenga los dedos tan lejos de las puntas como sea posible.

Símbolos como aparecen marcados en el Instrumento y el manual de instrucciones

	Riesgo de electrocución
	Ver el manual de instrucción
	Medición CD
	Equipo protegido por aislante doble o aislado
	Batería
	Fusible
	Tierra
	Medición CA
	Cumple las directivas de la UE
	No deseche o bote este producto

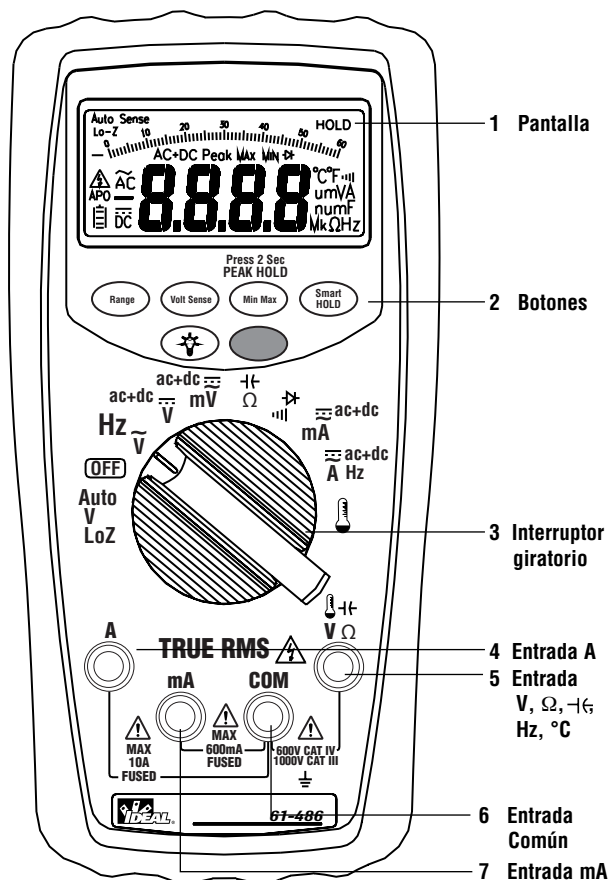
Voltaje Peligroso

Para advertirle de la presencia de voltaje potencialmente peligroso, cuando el instrumento detecta un voltaje = 30V o una sobrecarga de voltaje (OL) en V, mV. El símbolo se despliega y el indicador de Alto Voltaje se activa.

Descripción del Medidor

Ilustración del Panel Frontal

1. Pantalla LCD: resolución de 6000
2. Botones para Presionar
3. Interruptor giratorio para Encender/Apagar y seleccionar la función.
4. Terminal de Entrada para A.
5. Terminal de Entrada para las funciones V, Ω , insert symbol, Hz, °C/°F.
6. Terminal de Entrada Común (Referencia de tierra).
7. Terminal de Entrada para mA.



Características

- Pantalla digital de resolución de 6000
- Gráfica de barra de 62 segmentos
- Pantalla extra grande con luz de fondo blanca
- RMS verdadero
- Precisión de VCD básica de 0.08 %
- Detección automática de voltaje CA/CD con baja impedancia (Auto-V LoZ)
- VoltSense (Detección de voltaje sin contacto)
- Retención de Datos Inteligente
- Retención de Pico (1 ms) (únicamente 61-486)
- Función Min/Max
- Función CA + CD
- Contador de frecuencia en el modo CA
- Medición de capacitancia
- Temperatura (únicamente 61-486)
- Indicador de batería baja con segmentos
- Apagado automático (20 minutos)
- A prueba de golpes en caídas de 4 pies
- Estándar de seguridad CAT IV 600V/CAT III 1000V

Desembalaje e Inspección

Al sacar su nuevo Multímetro Digital de su embalaje, usted debe tener los siguientes artículos:

1. Multímetro Digital IDEAL 61-484/61-486
2. Un juego de cables de prueba (uno negro, uno rojo)
3. Sonda de Temperatura (únicamente 61-486)
4. Manual de Usuario
5. Estuche
6. 1 batería de 9V (instalada)

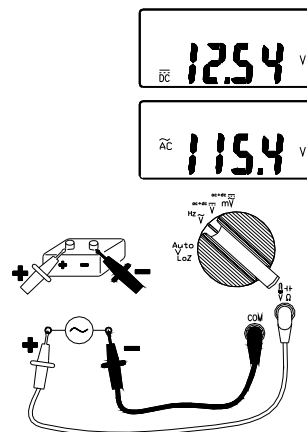
Realizar Medidas Básicas

Preparación y Cautela Antes de la Medición: Observe las reglas de Avisos y Cautela

⚠ ADVERTENCIA

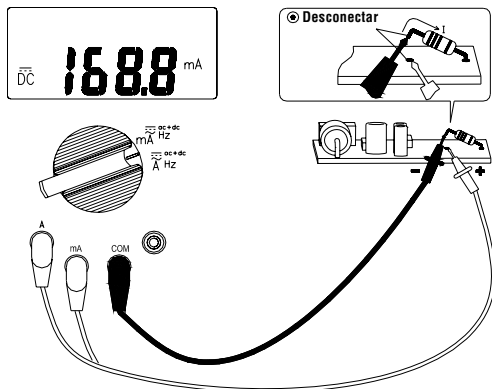
Cuando conecte los cables de prueba al DBP (Dispositivo Bajo Prueba) conecte el cable de prueba común antes de conectar el cable de prueba vivo. Al quitar los cables de prueba, quite el cable de prueba vivo antes de quitar el cable de prueba común.

Medición de Voltaje CA/CD



Gire el interruptor giratorio y presione el botón de Función para seleccionar la función de medición.

Medición de Voltaje CA/CD



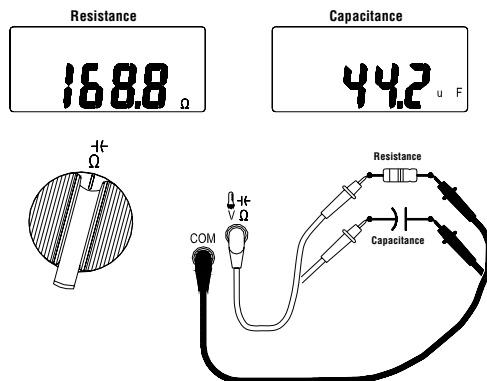
Gire el interruptor giratorio y presione el botón de Función para seleccionar la función de medición.

Medición de Frecuencia



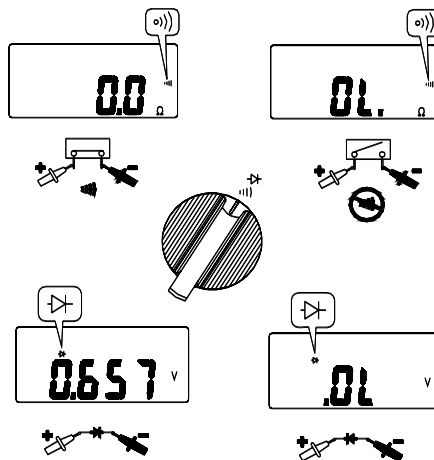
Gire el interruptor giratorio y presione el botón de Función para seleccionar la función de medición.

Medición de la Resistencia/Capacitancia



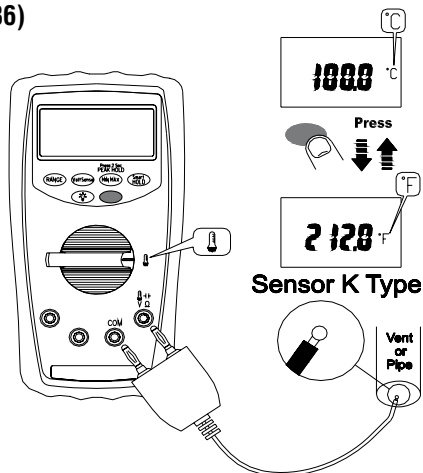
Gire el interruptor giratorio y presione el botón de Función para seleccionar la función de medición.

Medición de Continuidad/Diodo



Gire el interruptor giratorio y presione el botón de Función para seleccionar la función de medición.

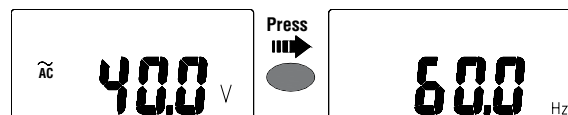
Medición de la Temperatura °F / °C (únicamente 61-486)



Gire el interruptor giratorio y presione el botón de Función para seleccionar la función de medición. (°C / °F)

Uso de la Función

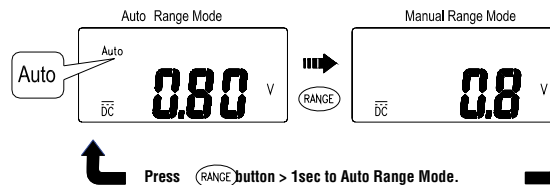
Botón de la Función



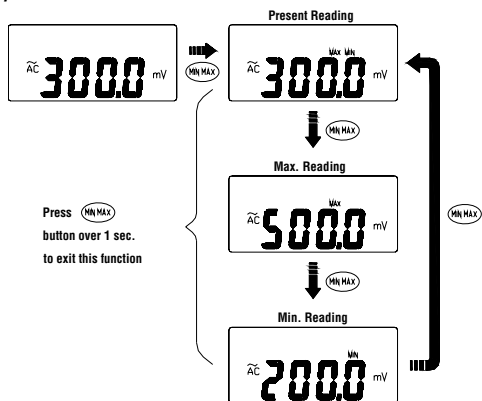
Switch Position	Function
Hz \tilde{V}	$\tilde{V} \rightarrow$ Hz
ac+dc \bar{V}	$\bar{V} \rightarrow$ ac+dc
mV \bar{mV}	$m\tilde{V} \rightarrow m\bar{V} \rightarrow$ ac+dc
Ω	$\Omega \rightarrow \Omega$
μ	$\mu \rightarrow \mu$
mA Hz \bar{mA}	$m\tilde{A} \rightarrow$ Hz $\rightarrow m\bar{A} \rightarrow$ ac+dc
A Hz \bar{A}	$\tilde{A} \rightarrow$ Hz $\rightarrow m\bar{A} \rightarrow$ ac+dc
°F	$\text{°F} \rightarrow \text{°C}$

Presione el botón de Función para cambiar la función en la misma posición del interruptor.

Botón de RANGO (RANGE)

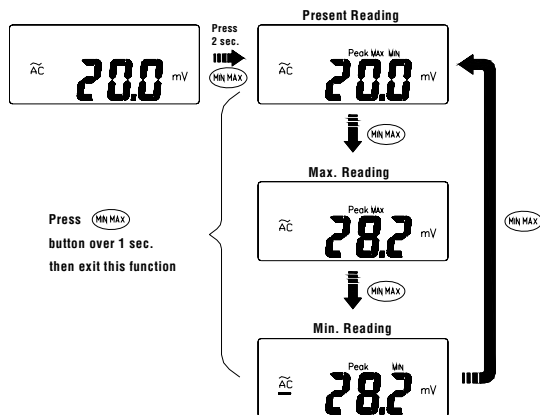


MIN/MAX



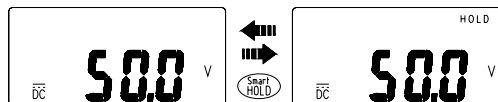
El modo MIN/MAX graba los valores de entrada min. y máx. Cuando la entrada cae por debajo del valor min. grabado o sube por encima del valor máx. grabado, el medidor graba el nuevo valor. Presione el botón Hold (Detener) para pausar la grabación.

RETENCIÓN de Pico (únicamente 61-486)



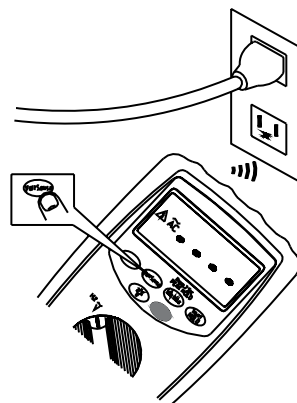
En la Función de Retención de Pico, el medidor graba el valor de pico min. y el valor de pico máx. cuando la entrada cae por debajo del pico min. grabado o sube por encima del valor máx. grabado, el medidor graba el nuevo valor.

RETENCIÓN inteligente



El medidor pitará continuamente y la pantalla destellará si la señal que se está midiendo es mayor a la lectura de la pantalla por una resolución de 50. (Sin embargo, no puede detectar a través del Voltaje/Corriente CA y la CD).

VoltSense

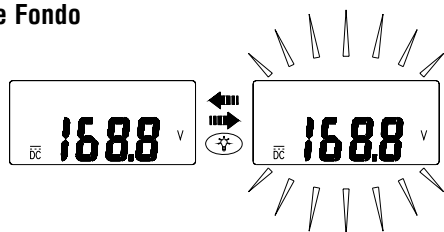


Mantenga el botón de VoltSense para activar la función de VoltSense.

! Advertencia

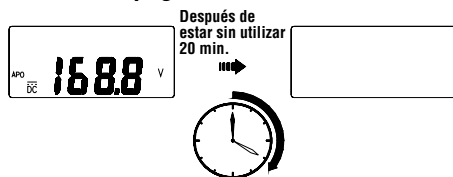
El número de guiones que se muestran en la pantalla indican la intensidad del campo eléctrico. Si no hay indicación, aún debe de haber voltaje. Siempre verifique con los cables de prueba.

Luz de Fondo



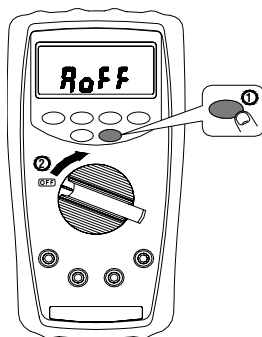
Presione el botón de Luz de Fondo para encender/apagar la luz de fondo.

Deshabilitar el Apagado Automático



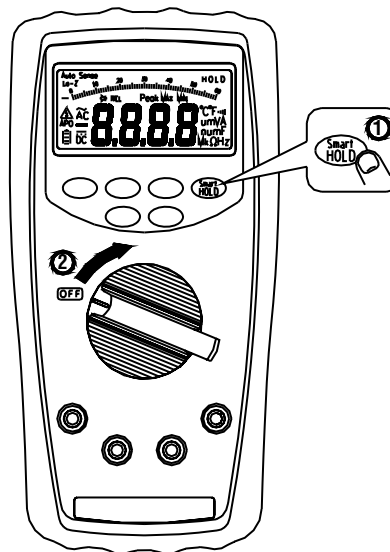
Active el medidor girando el interruptor o presionando cualquier botón.

Deshabilitar el Apagado Automático



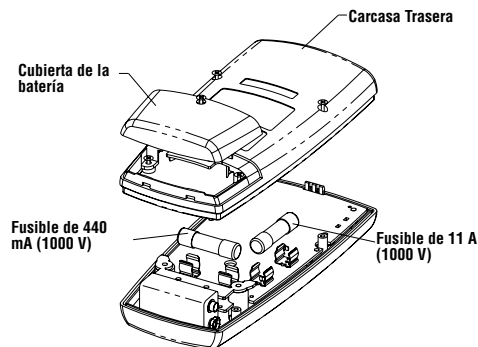
Gire el interruptor giratorio a la posición de apagado, luego presione el botón de Función mientras enciende el medidor.

Prueba de la Pantalla LCD



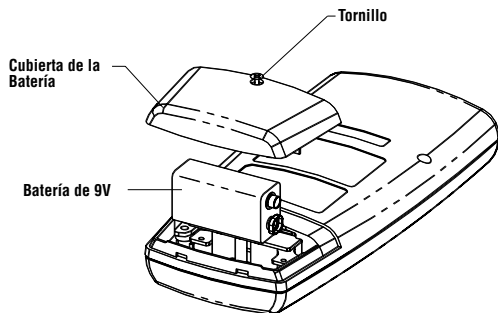
Gire el interruptor giratorio a la posición de apagado, luego presione el botón Smart-Hold mientras enciende el medidor.

Reemplazo del Fusible



Batería Baja y el Reemplazo de la Batería

Reemplace la batería tan pronto aparezca el indicador de batería baja para evitar lecturas falsas. Haga referencia a la siguiente figura para reemplazar la batería.



Advertencia

Quite los cables de prueba antes de abrir la cubierta de la batería o carcasa del medidor.

Especificaciones

Características Generales

Voltaje máximo aplicado a cualquier terminal:

1000 VCA rms o 1000 VDC rms

Pantalla: resolución de 6000


Indicadores de Polaridad:

Automático, positivo implicado, negativo indicado.

Indicador de Fuera de Rango: OL

Duración de la Batería: 150 horas Batería ALCALINA (sin luz de fondo)

Indicador de Batería Baja:

El voltaje baja por debajo del voltaje de operación,  parpadeará.

Requisitos de Potencia: Batería de 9V

Apagado Automático: 20 minutos.

Temperatura de Funcionamiento: t-10 ~10°C

10°C ~ 30°C (< 80 % HR),

30°C ~ 40°C (< 75 % HR),

40°C ~ 50°C (< 45 % HR)

Temperatura de Almacenamiento:

-20°C a 60°C, 0 a 80 % H.R. (sin baterías instaladas)

Coefficiente de Temperatura:

0.15 x (Prec. Espec.) / °C, < 18°C ó > 28°C.

Medición: Toma 3 muestras por segundo.

Altitud: 6561.7 pies (2000 m)

Certificación de Seguridad: Cumple con EN61010-1, UL61010-1, IEC 61010-1, CAT IV 600V, CAT III 1000V



Aislamiento Doble

El instrumento ha sido evaluado y cumple con la categoría IV de aislamiento (categoría IV de sobre voltaje). Grado 2 de contaminación de acuerdo con IEC-644. Uso en interiores.

CAT	Aplicación al Campo
I	El circuito no está conectado a la red eléctrica.
II	El circuito está conectado directamente a una instalación de Bajo-voltaje.
III	Instalación del edificio.
IV	La fuente de la instalación de Bajo-voltaje.

Cumple con EN 61557: IEC61557-1, IEC61557-2, IEC61557-4, IEC61557-10

Peso: 460 g (con la batería incluida)

Dimensiones (A x A x P):

94 mm x 190 mm x 48 mm con estuche.

Accesorios incluidos: Batería de 9V (instalada), Cables de prueba (TL-484) y manual de usuario.

EMC: EN 61326-1

Vibración de impacto: Vibración sinusoidal según MIL-PRF- 28800F (5 ~ 55 Hz, 3 g máximo).

Protección contra caídas: Caída de 4 pies a madera sobre piso de concreto.

Especificaciones Eléctricas

Precisión es de \pm (% de lectura + nombre de dígitos) a 23°C
 $\pm 5^\circ\text{C} < 80\%$ H.R.

(1) Voltaje

Rango	Resolución	For 61-484 Precisión	For 61-486 Precisión
60.00 mVCD	0.01 mV		$\pm (0.08\% + 10\text{ch})$
600.0 mVCD	0.1 mV	$\pm (0.1\% + 2\text{ch})$	$\pm (0.08\% + 2\text{ch})$
6.000 VCD	0.001 V	$\pm (0.09\% + 2\text{ch})$	$\pm (0.08\% + 2\text{ch})$
60.00 VCD	0.01 V	$\pm (0.09\% + 2\text{ch})$	$\pm (0.08\% + 2\text{ch})$
600.0 VCD	0.1 V	$\pm (0.09\% + 2\text{ch})$	$\pm (0.08\% + 2\text{ch})$
1000 VCD	1 V	$\pm (0.09\% + 2\text{ch})$	$\pm (0.08\% + 2\text{ch})$
60.0m VCA	0.01 mV		$\pm (1.2\% + 5\text{ch})$
600.0m VCA	0.1 mV	$\pm (1.5\% + 5\text{ch})$	$\pm (1.2\% + 5\text{ch})$
6.000 VCA	0.001 V	$\pm (1.0\% + 3\text{ch})$	$\pm (0.80\% + 5\text{ch})$
60.00 VCA	0.01 V	$\pm (1.0\% + 3\text{ch})$	$\pm (0.80\% + 5\text{ch})$
600.0 VCA	0.1 V	$\pm (1.0\% + 3\text{ch})$	$\pm (0.80\% + 5\text{ch})$
1000 VCA	1 V	$\pm (1.0\% + 3\text{ch})$	$\pm (0.80\% + 5\text{ch})$

Protección de Entrada : 1000 VCD ó 1000 VCA rms

Respuesta de Frecuencia de CA : 50Hz ~ 1KHz

Impedancia de Entrada : 10 M Ω , <100 pF

Tipo de Conversión de CA:

Las conversiones de CA están acopladas a la CA, de respuesta verdadera al rms, calibradas a la entrada de la onda sinusoidal.

Para ondas no sinusoidales agregue las siguientes

Correcciones de Cresta:

Para un Factor de Cresta de 1.4 a 2.0, agregue 1.0% a la precisión.

Para un Factor de Cresta de 2.0 a 2.5, agregue 2.5% a la precisión.

Para un Factor de Cresta de 2.5 a 3.0, agregue 4.0% a la precisión.

(2) Auto-V

Rango	Resolución	For 61-484 Precisión	For 61-486 Precisión
600.0 VCA	0.1 V	$\pm (1.0\% + 3\text{ch})$	$\pm (0.80\% + 3\text{ch})$
1000 VCA	1 V		
600.0 VCA	0.1 V		
1000 VCA	1 V		

Protección de Entrada: 1000 VDC ó 1000 VAC rms

Respuesta de Frecuencia de CA: 50Hz ~ 1KHz

Impedancia de Entrada: Aprox. 3k Ω .

Tipo de Conversión de CA:

El tipo de conversión y las especificaciones adicionales son las mismas para la función de voltaje.

(3) Corriente

Rango	Resolución	For 61-484 Precisión	For 61-486 Precisión
60.00 mACD	0.01 mA	$\pm (1.0\% + 3\text{ch})$	$\pm (0.08\% + 3\text{ch})$
600.0 mACD	0.1 mA	$\pm (1.0\% + 3\text{ch})$	$\pm (0.08\% + 3\text{ch})$
6.000 ACD	0.001 A	$\pm (1.0\% + 3\text{ch})$	$\pm (0.08\% + 3\text{ch})$
10.00 ACD	0.01 A	$\pm (1.0\% + 3\text{ch})$	$\pm (0.08\% + 3\text{ch})$
60.0 mAACA	0.01 mA	$\pm (1.5\% + 3\text{ch})$	$\pm (1.2\% + 3\text{ch})$
600.0 mAACA	0.1 mA	$\pm (1.5\% + 3\text{ch})$	$\pm (1.2\% + 3\text{ch})$
6.000 ACA	0.001 A	$\pm (1.5\% + 3\text{ch})$	$\pm (1.2\% + 3\text{ch})$
10.00 ACA	0.01 A	$\pm (1.5\% + 3\text{ch})$	$\pm (1.2\% + 3\text{ch})$

Protección de Entrada:

Equipado con un Fusible de Alta Energía.

Fusible de 10 KA 440 mA, 1000 V CA/CD para la entrada de mA.

Fusible de 20 KA 11 A, 1000 V CA/CD para la entrada de A.

Tiempo Máximo de Medición: 3 minutos para la entrada de A, 10 minutos para la entrada de mA.

Tiempo de reposo 20 minutos mínimo.

Tipo de Conversión de CA:

El tipo de conversión y las especificaciones adicionales son las mismas para la función de voltaje.

Respuesta de Frecuencia de CA: 50Hz ~ 1KHz

Retención de Pico (únicamente para el 61-486):

Precisión especificada $\pm 150d$.

(5) Resistencia

Rango	Resolución	Precisión
600.0 Ω	0.1 Ω	$\pm (0.08 \% + 5ch)$
6.000 K Ω	0.001 K Ω	$\pm (0.08 \% + 2ch)$
60.00 K Ω	0.01 K Ω	
600.0 K Ω	0.1 K Ω	
6.000 M Ω	0.001 m Ω	
40.00 M Ω^*	0.01 M Ω	$\pm (1.0 \% + 5ch)$

Protección de Entrada: 1000 VDC o 1000 VAC rms

Voltaje Máximo de Circuito Abierto:

Aprox. 2.5V para 600 Ω y 6k Ω .

Aprox. 0.6V para otros.

Corriente Máxima de Prueba: Aprox. 0.1 mA.

(6) Prueba de Continuidad

Rango	Resolución	Precisión
600.0 Ω	0.1 Ω	$\pm (0.8 \% + 5ch)$

Protección de Entrada: 1000 VDC o 1000 VAC rms

Voltaje Máximo de Circuito Abierto: Aprox. 2.5 V

Corriente Máxima de Prueba: Aprox. 0.1 mA

Umbral de Continuidad: <30 Ω Bip Encendido.

>100 Ω Bip Apagado.

Indicador de Continuidad: Zumbador de tono de 2,7 KHz

(7) Prueba de Diodo

Rango	Resolución	Precisión
2.000 V	1 mV	$\pm (1.5 \% + 2ch)$

Protección de entrada: 1000 VDC o 1000 VAC rms

Voltaje Máximo de Circuito Abierto: Aprox. 2.5 V

Corriente Máxima de Prueba: Aprox. 0.4 mA

(8) Capacitancia

Rango	Resolución	Precisión
1.000 μF	0.001 μF	$\pm (1.2 \% + 2ch)$
10.00 μF	0.01 μF	
100.0 μF	0.1 μF	
1.000 mF	0.001 mF	
10.00 mF	0.01 mF	

Protección de entrada: 1000 VDC o 1000 VAC rms

Duración Máxima de Prueba:

0.7 s para 1nF~1mF

3 s para 1mF~10mF

(9) Contador de Frecuencia

Rango	Resolución	Precisión
100.00 Hz	0.1 Hz	$\pm (0.1 \% + 2ch)$
1000.0 Hz	0.1 Hz	
10.000 KHz	0.001 KHz	
100.00 KHz	0.01 KHz	

Protección de Entrada: 1000 VDC o 1000 VAC rms

Frecuencia Mínima: 1 Hz

Sensibilidad: > 50 Vp-p (para VCA 1HZ ~ 10 kHz)

> 10 Vp-p (para VCA 10kHz ~ 100 kHz)

> 2 mAp-p (para ACmA)

> 0.2 Ap-p (para ACA)

(10) Temperatura (únicamente para 61-486)

Rango	Resolución	Precisión*
-40.0°C ~ 400°C	0.1°C	$\pm (1.0 \% + 10ch)$
-40.0°F ~ 752°F	0.1°F	$\pm (1.0 \% + 18ch)$

Protección de Entrada : 1000 VCD o 1000 VCA rms

* No incluye la precisión de la sonda de termopar.

* La especificación de precisión supone una temperatura ambiental estable a $\pm 1^\circ C$. Para cambios de temperatura ambiental de $\pm 5^\circ C$, la precisión nominal aplica después de 2 horas.

Nota: El valor Verdadero RMS de CA+CD puede estar por encima del rango seleccionado ya que la señal de CA puede sumarse al nivel de CD.

(11) Voltaje CA+CD

Rango	Resolución	For 61-484 Precisión	For 61-486 Precisión
6.000 V	0.001 V	± (2.5 % + 5ch)	± (2 % + 5ch)
60.00 V	0.01 V		
600.0 V	0.1 V		
1000 V	1 V		

Las especificaciones suplementarias son las mismas que la función de voltaje.

(12) AC+DC mV

Rango	Resolución	For 61-484 Precisión	For 61-486 Precisión
60.00 mV	0.1 mV	± (2.5 % + 5ch)	± (2 % + 10ch)
600.0 mV	.1 mV		

Las especificaciones suplementarias son las mismas que la función de voltaje.

(13) CA+CD mA

Rango	Resolución	For 61-484 Precisión	For 61-486 Precisión
60.00 mA	0.1 mA	± (2.5 % + 5ch)	± (2 % + 5ch)
600.0 mA	.1 mA		

Las especificaciones suplementarias son las mismas que la función de corriente.

(14) AC+DC A

Rango	Resolución	For 61-484 Precisión	For 61-486 Precisión
600.0 A	0.001 VA	± (2.5 % + 5ch)	± (2 % + 5ch)
10.00 A	0.01 A		

Las especificaciones suplementarias son las mismas que la función de corriente.

Mantenimiento

No intente reparar este medidor. No contiene partes reparables por el usuario. La reparación o el servicio únicamente deben hacerse por personal calificado.

Limpieza

Periódicamente limpie con una manta seca y detergente. No use abrasivos o solventes.

Desechar los residuos de aparatos eléctricos y electrónicos



A fin de preservar, proteger y mejorar la calidad del medio ambiente, de proteger la salud humana y utilizar los recursos prudente y racionalmente, el usuario debe regresar los productos no reparables a las instalaciones pertinentes en cumplimiento de las regulaciones legales. El basurero con ruedas tachado indica que el producto necesita ser desechado por separado y no como desecho municipal.



¡Deshacerse de baterías/acumuladores usados!

El usuario está legalmente obligado a regresar las baterías y los acumuladores usados. ¡Se prohíbe desechar las baterías entre la basura doméstica! Las baterías/acumuladores que contienen materiales peligrosos marcados con el basurero con ruedas tachado. El símbolo indica que es prohibido desecharlo por medio de la basura



doméstica. Los símbolos químicos para las respectivas sustancias peligrosas son **Cd** = Cadmio, **Hg** = Mercurio, **Pb** = Plomo.

Usted puede regresar sus baterías/acumuladores sin cobro alguno a los puntos de recolección de su autoridad local, a nuestras tiendas, o en donde se vendan baterías/acumuladores. Como consecuencia usted cumple con sus obligaciones legales y contribuye a la protección ambiental.

Declaración de Garantía:

Se garantiza este medidor al comprador original contra defectos de material o de mano de obra por dos años contados a partir de la fecha de compra.

Durante este período de garantía, IDEAL INDUSTRIES, INC. podrá, a la sola opción de IDEAL, reemplazar o reparar la unidad defectuosa, sujeta a la verificación del defecto o falla. Esta garantía no se aplica a daños que sean consecuencia de abusos, negligencia, accidentes, reparación sin autorización, alteraciones o uso no razonable del instrumento.

Cualquier garantía implícita originada en la venta de un producto IDEAL, incluidas pero sin limitarse a ellas las garantías implícitas de comerciabilidad y adecuación para un propósito particular, se limitan a lo indicado anteriormente. El fabricante no es responsable legalmente por la pérdida del uso del instrumento u otros daños y perjuicios incidentales o consecuentes, gastos o pérdidas económicas, ni por ninguna reclamación de dichos daños y perjuicios, gastos o pérdidas económicas.

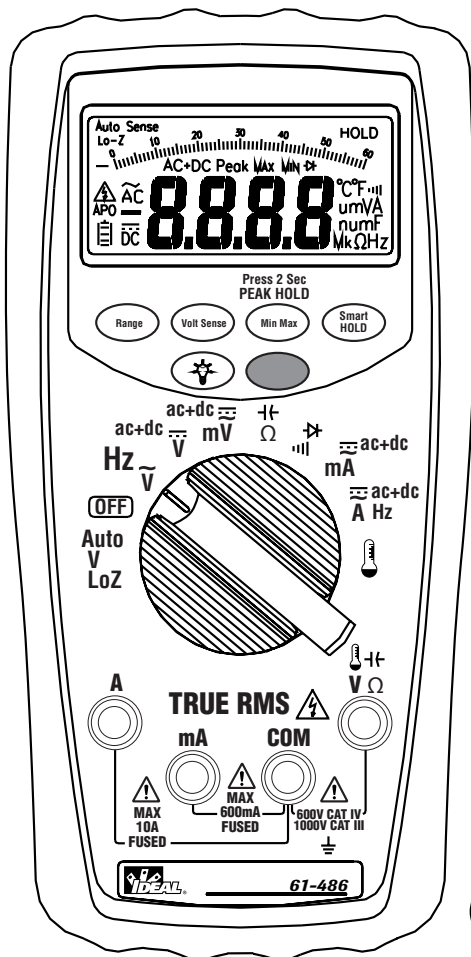
Las leyes estatales varían, por lo que las limitaciones o exclusiones anteriores pueden no aplicarse en su caso. Esta garantía le da derechos legales específicos y puede tener otros derechos que varían de estado a estado.

La garantía no cubre a las baterías o los cables de prueba.



#61-484
#61-486

Multimètre numérique Série 480 Manuel d'instructions



! Lire d'abord : informations de sécurité

Lire et s'assurer d'avoir compris toutes les instructions de fonctionnement. N'utiliser le multimètre que de la façon spécifiée dans le présent manuel ; à défaut, la protection offerte par le multimètre pourra être compromise.

! AVERTISSEMENT

Se conformer aux directives suivantes pour éviter tout risque d'électrocution, de lésions personnelles ou de mort :

- Ne pas utiliser le multimètre s'il paraît endommagé. Examiner le multimètre pour s'assurer que son boîtier n'est pas fissuré et que sa partie arrière est bien assujettie.
- Inspecter et remplacer les cordons si leur isolation est endommagée, le métal exposé ou les sondes craquelées. Porter une attention particulière à l'isolant qui entoure les connecteurs.
- Ne pas utiliser le multimètre s'il fonctionne de manière anormale, la protection qu'il offre pouvant être compromise.
- Ne pas utiliser l'appareil pendant des orages ou par temps très humide.
- Ne pas utiliser l'appareil en présence de gaz, poussière ou vapeur explosifs.
- Ne pas soumettre le multimètre à une tension supérieure à la tension nominale.
- Ne pas utiliser sans la pile ou si l'arrière du boîtier n'est pas bien monté.
- Retirer les fils d'essai du multimètre avant de retirer le capuchon de pile.
- Ne pas tenter de réparer cet appareil. Il ne comporte aucune pièce réparable par l'utilisateur.

ATTENTION






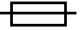
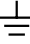



Pour vous protéger, ayez le réflexe « la sécurité d'abord ».

- Les tensions dépassant 30 V CA ou 60 V CC peuvent présenter un risque d'électrocution, il faut donc faire preuve de prudence.
- Utiliser un équipement de protection individuelle approprié, comme lunettes de sécurité, masque facial, gants isolants, chaussures isolées, et/ou tapis isolants.
- Avant chaque utilisation :
 - Procéder à un essai de continuité et mettant les fils d'essai en contact l'un avec l'autre afin de contrôler le fonctionnement de la pile et des fils d'essai.




- Utiliser la méthode de sécurité en 3 points. (1) Vérifier le fonctionnement du multimètre en mesurant une tension connue. (2) Appliquer le multimètre au circuit en cours de contrôle. (3) Retourner à la tension active connue pour vérifier le bon fonctionnement.
- Utiliser les bonnes bornes fonction et plages pour vos mesures
- Ne jamais se mettre à la terre quand on procède à des mesures électriques.
- Connecter le fil commun noir à la terre avant d'appliquer le fil d'essai rouge sur la tension. Commencer par déconnecter le fil d'essai rouge de la tension.
- Travailler toujours avec un équipier.
- Quand on se sert des sondes, tenir les doigts aussi loin que possible des pointes de sonde.

Symboles tels qu'ils apparaissent sur l'appareil et le manuel.

	Risque d'électrocution
	Voir le manuel d'instructions
	Mesure de c.c.
	Matériel protégé par une isolation double ou renforcée
	Batterie
	Fusible
	Terre
	Mesure de C.A.
	Conforme aux directives de l'U.E.
	Ne pas mettre au rebut ou jeter ce produit

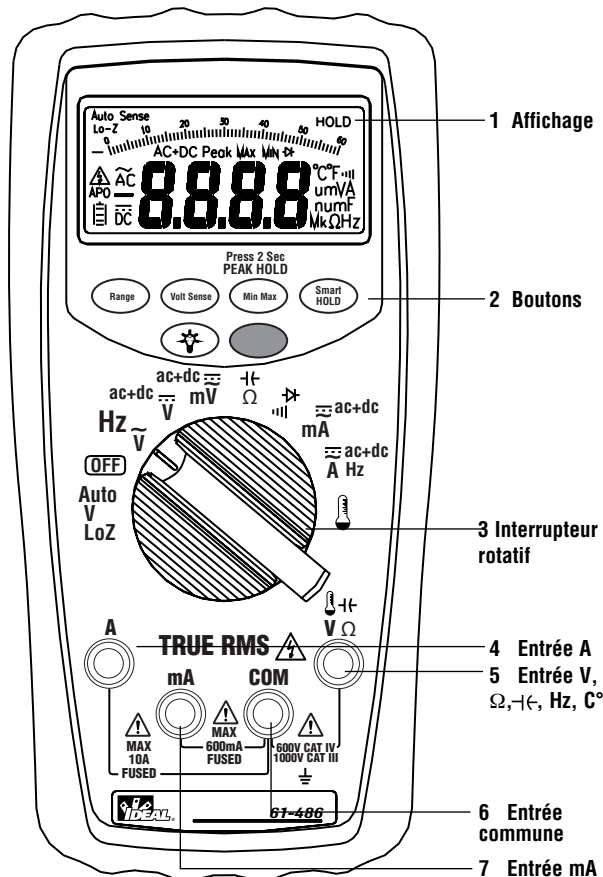
Tension dangereuse

Afin de signaler la présence d'une tension potentiellement dangereuse quand l'appareil détecte une tension supérieure ou égale à 30 V ou une surtension (OL) en V, mV, le symbole  est affiché et le témoin de haute tension est activé.

Description de l'appareil

Illustration du panneau avant

1. Affichage LCD: 6000 unités
2. Boutons-poussoirs.
3. Interrupteur rotatif pour allumer/éteindre et sélectionner la fonction.
4. Borne d'entrée pour A.
5. Borne d'entrée pour les fonctions V, Ω , [SYMBOL], Hz, °C/°F.
6. Borne d'entrée commune (référence de terre).
7. Borne d'entrée pour mA.



Caractéristiques

- Affichage numérique 6000 unités
- Graphique à barres à 62 segments
- Affichage à très grande échelle avec rétroéclairage blanc
- Valeur efficace
- Précision de base en tension c.c. 0,08 %
- Détection automatique de tension c.a./c.c. avec basse impédance (Auto-V LoZ)
- VoltSense (Détection de tension sans contact)
- Maintien de données intelligent
- Maintien de crête (1 ms) (61-486 seulement)
- Fonction mini/maxi
- Fonction c.a. + c.c.
- Compteur de fréquence sur le mode c.a.
- Mesure de capacité
- Température (61-486 seulement)
- Témoin de décharge de pile avec segments
- Coupure d'alimentation automatique (20 minutes)
- Protection anti-impact pour des chutes de 1,20 m
- Norme de sécurité CAT IV 600V/CAT III 1000V

Déballage et inspection

Après avoir sorti notre nouveau multimètre numérique de son emballage, vous devriez être en possession des articles suivants :

1. Multimètre numérique IDEAL 61-484/61-486
2. Conducteurs d'essai (un noir, un rouge), jeu de
3. Sonde de température (61-486 seulement)
4. Manuel de l'utilisateur
5. Étui de transport
6. 1 pile de 9 V (montée)

Procéder aux mesures élémentaires



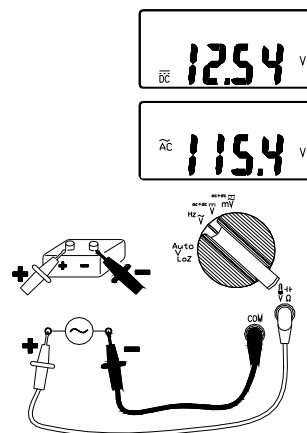
Préparation et mise en garde avant la mesure :
Observer les avertissements et mises en garde



ATTENTION

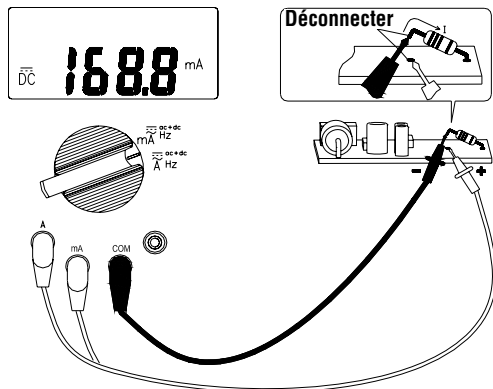
Quand on connecte les conducteurs d'essai au dispositif soumis à l'essai, connecter les conducteurs d'essai communs avant de connecter les conducteurs d'essai sous tension. Quand on débranche les conducteurs d'essai, débrancher les conducteurs d'essai sous tension avant de débrancher les conducteurs d'essai communs.

Measuring AC / DC Voltage



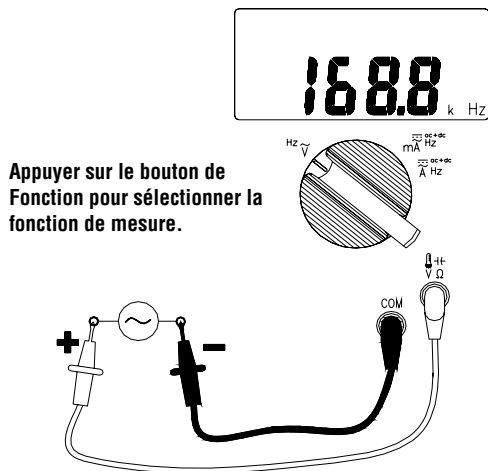
Tourner le commutateur rotatif et appuyer sur le bouton fonction pour sélectionner la fonction de mesure.

Mesure de la tension c.a./c.c



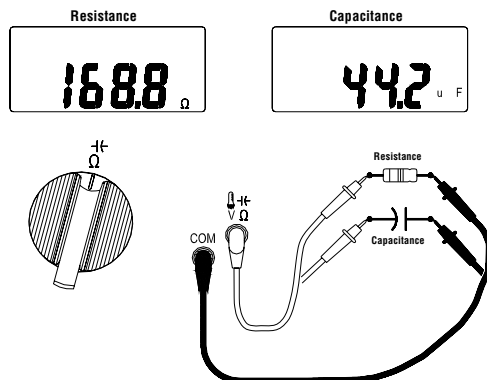
Tourner le commutateur rotatif et appuyer sur le bouton de fonction pour sélectionner la fonction de mesure

Mesure de la fréquence



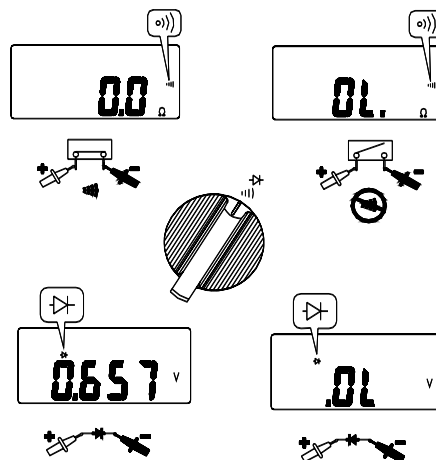
Tourner le commutateur rotatif et appuyer sur le bouton de Fonction pour sélectionner la fonction de mesure.

Mesure de la résistance et de la capacité



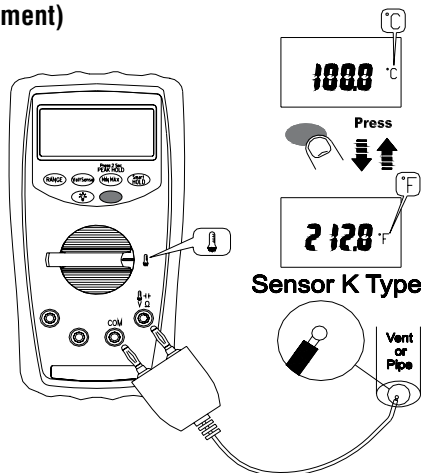
Tourner le commutateur rotatif et appuyer sur le bouton de Fonction pour sélectionner la fonction de mesure.

Mesure de continuité/diode



Tourner le commutateur rotatif et appuyer sur le bouton de Fonction pour sélectionner la fonction de mesure.

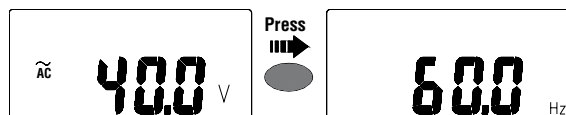
Mesure de la température °F / °C (61-486 seulement)



Tourner le commutateur rotatif et appuyer sur le bouton de Fonction pour sélectionner la fonction de mesure. (°C / °F)

Utilisation de la fonction

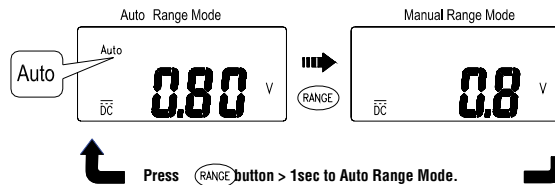
Bouton de fonction



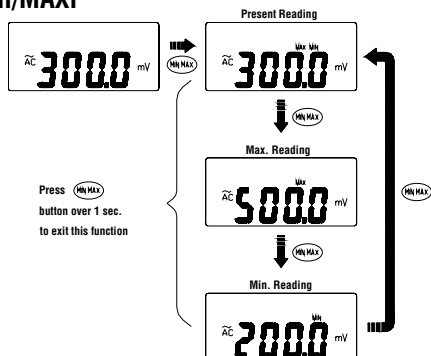
Switch Position	Function
Hz \tilde{V}	$\tilde{V} \rightarrow$ Hz
ac+dc \bar{V}	$\bar{V} \rightarrow$ ac+dc
mV \bar{mV}	$m\tilde{V} \rightarrow m\bar{V} \rightarrow$ ac+dc
Ω	$\Omega \rightarrow \Omega$
$\mu\Omega$	$\mu\Omega \rightarrow \mu\Omega$
mA Hz \bar{mA}	$m\tilde{A} \rightarrow$ Hz $\rightarrow m\bar{A} \rightarrow$ ac+dc
A Hz \bar{A}	$\tilde{A} \rightarrow$ Hz $\rightarrow mA\bar{A} \rightarrow$ ac+dc
°F	$\text{°F} \rightarrow \text{°C}$

Appuyer sur le bouton pour changer la fonction sur la même position de commutateur.

Bouton de plage (RANGE)

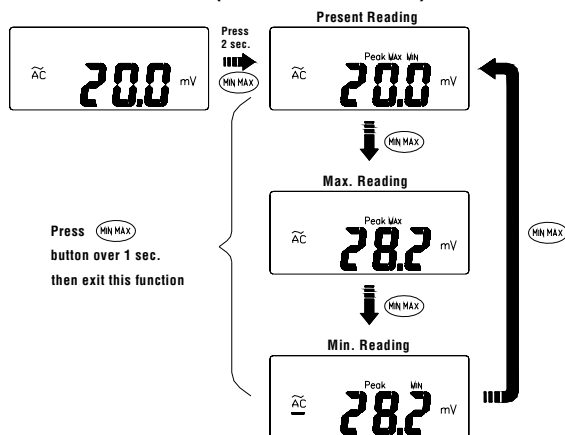


MINI/MAXI



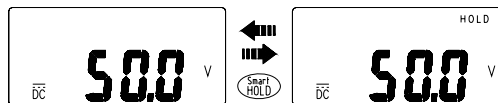
Le mode MINI/MAXI enregistre les valeurs d'entrée minimales et maximales. Quand l'entrée tombe au-dessous de la valeur minimale enregistrée ou dépasse la valeur maximale enregistrée, l'appareil enregistre la nouvelle valeur. Appuyer sur le bouton Hold (Maintien) pour mettre l'enregistrement sur pause.

MAINTIEN de crête (61-486 seulement)



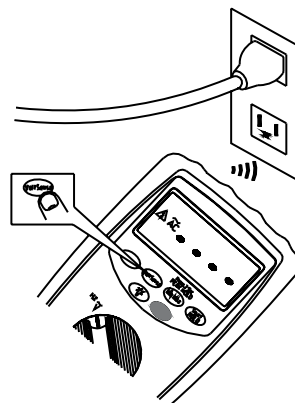
Sur la fonction de Maintien de crête, l'appareil enregistre la valeur maximale de crête et la valeur minimale de crête. Quand les entrées chutent au dessous de la valeur minimale de crête enregistrée ou dépassent la valeur maximale de crête enregistrée, l'appareil enregistre la nouvelle valeur. Appuyer sur le bouton Hold (Maintien) pour mettre l'enregistrement sur pause. button to pause the recording.

MAINTIEN intelligent



L'appareil émettra un bip continu et l'arrimage clignotera si le signal mesuré est supérieur de 50 unités à la lecture de l'affichage. (Toutefois, il ne peut pas distinguer entre la tension/le courant c.a. et c.c.).

VoltSense

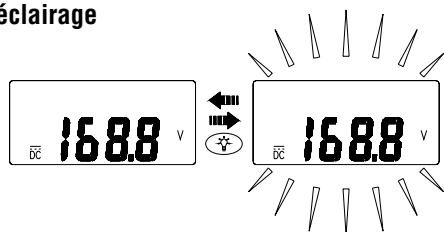


Maintenir le bouton VoltSense enfoncé pour actionner la fonction VoltSense.

! Attention

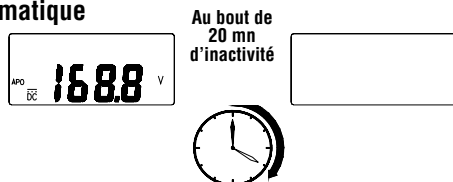
Le nombre de tirets affichés indique l'intensité du champ électrique. Un courant peut être présent même en l'absence d'une indication. Vérifier toujours avec les conducteurs.

Rétroéclairage



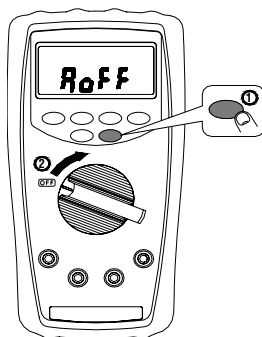
Appuyer sur le bouton Backlight pour allumer/éteindre la rétroéclairage.

Invalidation de la coupure d'alimentation automatique



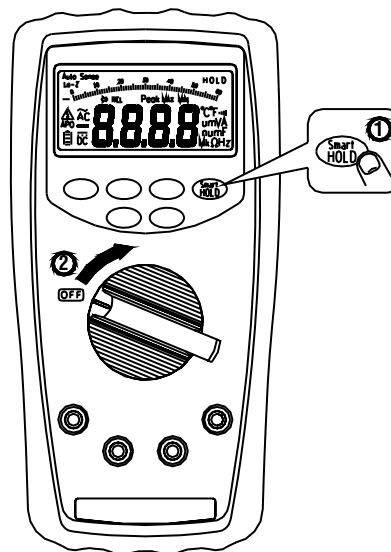
Réveiller l'appareil en tournant le commutateur ou en appuyant sur tout bouton.

Invalidation de la coupure d'alimentation automatique



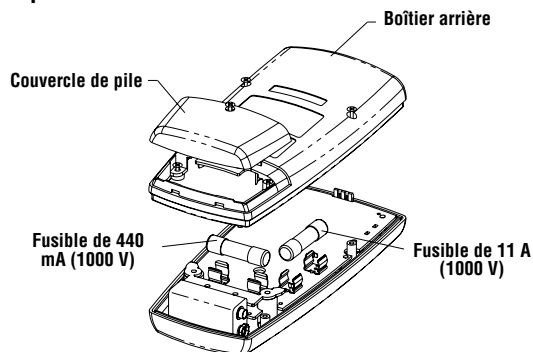
Mettre le commutateur rotatif sur la position off, puis appuyer sur le bouton de fonction tout en allumant l'appareil.

Essai du moniteur à cristaux liquides



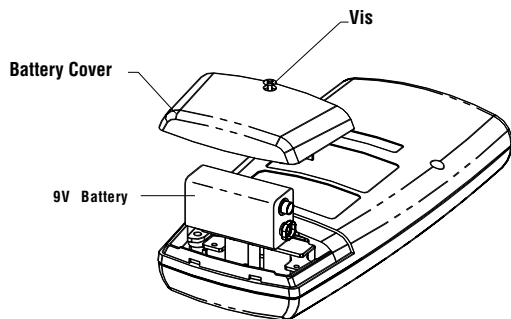
Mettre le commutateur rotatif sur la position off, puis appuyer sur le bouton Smart-HOLD tout en allumant l'appareil.

Remplacement du fusible



Pile déchargée et remplacement de la pile

Remplacer la pile dès que le témoin de décharge de la pile s'allume afin d'éviter les fausses lectures. Consulter la figure suivante pour remplacer la pile.



⚠ Attention

Retirer les conducteurs d'essai de l'appareil avant d'ouvrir le couvercle de la pile ou le boîtier de l'appareil.

Spécifications

Caractéristiques générales

Tension maximale appliquée à toute borne :

1000 V c.a. valeur efficace or 1000 V c.c. valeur efficace

Affichage : 6000 unités

Indication de polarité:

Automatique, positive implicite, négatif indiqué.

Indication de dépassement de plage : OL

Durée de service de la pile : 150 heures pile ALCALINE (sans rétroéclairage)

Indication de décharge de pile :

Clignote si la tension chute en deçà de la tension de fonctionnement.

Exigences d'alimentation : Pile de 9 V

Coupage automatique de l'alimentation : 20 minutes.

Température de fonctionnement : -10 ~ 10°C
10°C ~ 30°C (< 80 % HR),
30°C ~ 40°C (< 75 % HR),
40°C ~ 50°C (< 45 % HR)

Température de rangement :

-20°C à 60°C, 0 à 80 % d' H.R. (piles non montées)

Coefficient de température :

0.15 x (Préc. Spec.) / °C, < 18°C ou > 28°C .

Mesure: Fréquence d'échantillonnage de 3 fois/seconde.

Altitude: 2000 m (6561,7 pi)

Certification de sécurité : Conforme à EN61010-1, UL61010-1, IEC 61010-1, CAT IV 600V, CAT III 1000V



☐ Double Isolation

L'instrument a été évalué et est conforme avec la catégorie IV (catégorie IV de surtension). Degré 2 de pollution en conformité avec IEC-664. Utilisation à l'intérieur.

CAT	Application au terrain
I	Les circuits ne sont pas connectés au secteur.
II	Les circuits sont connectés directement à une installation à basse tension.
III	L'installation du bâtiment.
IV	La source de l'installation à basse tension.

Conformité avec EN 61557 : IEC61557-1, IEC61557-2, IEC61557-4, IEC61557-10

Poids : 460 g (pile y compris)

Dimensions (l x L x h):

94 mm x 190 mm x 48 mm ave étui.

Accessoires fournis : Pile de 9 V (montée), conducteurs d'essai (TL-484) et manuel de l'utilisateur.

EMC: EN 61326-1

Vibration d'impact : Vibration sinusoïdale selon MIL-T-28800E (5 ~ 55 Hz, 3 g maximum).

Protection contre la chute : 1,2 m sur bois franc sur sol en béton.

Caractéristiques électriques

Précision est \pm (% de lecture + nombre de chiffres) à 23°C \pm 5°C < 80 % d'H.R.

(1) Tension

Plage	Résolution	Pour précision 61-484	Pour précision 61-486
60,00 mV C.C.	0,01 mV		\pm (0,08 % + 10ch)
600,0 mV C.C.	0,1 mV	\pm (0,1 tt% + 2ch)	\pm (0,08 % + 2ch)
6,000 mV C.C.	0,001 V	\pm (0,09 % + 2ch)	\pm (0,08 % + 2ch)
60,00 mV C.C.	0,01 V	\pm (0,09 % + 2ch)	\pm (0,08 % + 2ch)
600,0 mV C.C.	0,1 V	\pm (0,09 % + 2ch)	\pm (0,08 % + 2ch)
1000 mV C.C.	1 V	\pm (0,09 % + 2ch)	\pm (0,08 % + 2ch)
60,0 mV A.C.	0,01 mV		\pm (1,20 % + 5ch)
600,0 mV A.C.	0,1 mV	\pm (1,5 % + 5ch)	\pm (1,20 % + 5ch)
6,000 mV A.C.	0,001V	\pm (1,0 % + 3ch)	\pm (0,80 % + 5ch)
60,00 mV A.C.	0,01 V	\pm (1,0 % + 3ch)	\pm (0,80 % + 5ch)
600,0 mV A.C.	0,1 V	\pm (1,0 % + 3ch)	\pm (0,80 % + 5ch)
1000 mV A.C.	1 V	\pm (1,0 % + 3ch)	\pm (0,80 % + 5ch)

Protection d'entrée : 1000 Vc.c. ou 1000 V c.a. valeur efficace

Réponse en fréquence c.a. : 50Hz ~ 1KHz

Impédance d'entrée : 10 M Ω , <100 pF

Type de conversion c.a. :

Les conversions c.a. sont couplées c.a., en réponse à valeur efficace, étalonnées sur l'entrée en onde sinusoïdale.

Pour les ondes non sinusoïdales, ajouter les corrections de facteur de crête suivantes:

Pour un facteur de crête de 1,4 à 2,0, ajouter 1,0 % à la précision.

Pour un facteur de crête de 2,0 à 2,5, ajouter 2,5 % à la précision.

Pour un facteur de crête de 2,5 à 3,0, ajouter 4,0 % à la précision.

(2) Auto-V

Plage	Résolution	Pour précision 61-484	Pour précision 61-486
600,0 V c.a.	0,1 V	\pm (1,0 % + 3ch)	\pm (0,80 % + 3ch)
1000 V c.a.	1 V		
600,0 V c.a.	0,1 V		
1000 V c.a.	1 V		

Protection d'entrée : 1000 Vc.c. ou 1000 V c.a. valeur efficace

Réponse en fréquence c.a. : 50 H z ~ 1 KHz

Impédance d'entrée : Env. 3 k Ω .

Type de conversion d'entrée :

Le type de conversion et la spécification supplémentaire sont les mêmes que la fonction tension.

(3) Courant

Plage	Résolution	Pour précision 61-484	Pour précision 61-486
60,00 mA c.c.	0,01 mA	\pm (1,0 % + 3ch)	\pm (0,08 % + 3ch)
600,0 mA c.c.	0,1 mA	\pm (1,0 % + 3ch)	\pm (0,08 % + 3ch)
6,000 A c.c.	0,001 A	\pm (1,0 % + 3ch)	\pm (0,08 % + 3ch)
10,00 A c.c.	0,01 A	\pm (1,0 % + 3ch)	\pm (0,08 % + 3ch)
60,0 mA c.a.	0,01 mA	\pm (1,5 % + 3ch)	\pm (1,2 % + 3ch)
600,0 mA c.a.	0,1 mA	\pm (1,5 % + 3ch)	\pm (1,2 % + 3ch)
6,000 A c.a.	0,001 A	\pm (1,5 % + 3ch)	\pm (1,2 % + 3ch)
10,00 A c.a.	0,01 A	\pm (1,5 % + 3ch)	\pm (1,2 % + 3ch)

Protection d'entrée :

Doté d'un fusible haute énergie.

Fusible de 10 KA 440 mA, 1000 V c.a./c.c. pour entrée en mA.

Fusible de 20 KA 11 A, 1000 V c.a./c.c. pour entrée en A.

Durée de mesure maxi : 3 minutes pour entrée en A, 10 minutes pour entrée en mA.

Temps de repos de 20 minutes mini.

Type de conversion d'entrée :

Le type de conversion et la spécification supplémentaire sont les mêmes que la fonction tension.

Réponse en fréquence c.a. : 50 Hz ~ 1 KHz

(4) Maintien de crête (pour 61-486 seulement) :

Précision spécifiée ± 150 ch.

(5) Résistance

Plage	Résolution	Précision
600,0 Ω	0,1 Ω	$\pm (0,08 \% + 5\text{ch})$
6,000 K Ω	0,001 K Ω	$\pm (0,08 \% + 2\text{ch})$
60,00 K Ω	0,01 K Ω	
600,0 K Ω	0,1 K Ω	
6,000 M Ω	0,001 m Ω	
40,00 M Ω^*	0,01 M Ω	$\pm (1,0 \% + 5\text{ch})$

Protection d'entrée : 1000VDC or 1000 V c.a. valeur efficace

Tension maxi de circuit ouvert :

Env. 2,5 V pour la plage 600 Ω et 6 k Ω .

Env. 0,6 V pour les autres.

Courant d'essai maxi : Env. 0,1 mA.

(6) Essai de continuité

Plage	Résolution	Précision
600,0 Ω	0,1 Ω	$\pm (0,8 \% + 5\text{ch})$

Protection d'entrée : 1000 Vc.c. ou 1000 V c.a. valeur efficace

Tension maxi de circuit ouvert : Env. 2,5 V

Courant d'essai maxi. : Environ 0,1 mA

Seuil de continuité : <30 Ω Bip MARCHE.

>100 Ω Bip ARRÊT.

Indicateur de continuité : 2,7 KHz ronfleur de tonalité

(7) Essai de diode

Plage	Résolution	Précision
2,000 V	1 mV	$\pm (1,5 \% + 2\text{ch})$

Protection d'entrée : 1000 V c.c. ou 1000 V c.a. valeur efficace

Tension maxi de circuit ouvert : Env. 2,5 V

Courant d'essai maxi. : Env. 0,4 mA

(8) Capacité

Plage	Résolution	Précision
1,000 μF	0,001 μF	$\pm (1,2 \% + 2\text{ch})$
10,00 μF	0,01 μF	
100,0 μF	0,1 μF	
1,000 mF	0,001 mF	
10,00 mF	0,01 mF	

Protection d'entrée : 1000 Vc.c. ou 1000 V c.a. valeur efficace

Durée de mesure maxi : 0,7 s pour 1 nF~1 mF
3 s pour 1 mF~10 mF

(9) Compteur de fréquence

Plage	Résolution	Précision
100,00 Hz	0,1 Hz	$\pm (0,1\% + 2\text{ch})$
1000,0 Hz	0,1 Hz	
10,000 KHz	0,001 KHz	
100,00 KHz	0,01 KHz	

Protection d'entrée : 1000 Vc.c. ou 1000 V c.a. valeur efficace

Fréquence Mini. : 1 Hz

Sensibilité : > 5,0 Vp-p (pour c.a. V 1 HZ ~ 10 kHz).
> 10 Vp-p (pour c.a. V 10 kHz ~ 100 kHz)
> 2 mAp-p pour c.a. mA
> 0.2Ap-p (pour c.a. A)

(10) Température (Pour 61-486 seulement)

Plage	Résolution	Précision
-40,0°C ~ 400°C	0,1°C	$\pm (1,0\% + 10\text{ch})$
-40,0°F ~ 752°F	0,1°F	$\pm (1,0\% + 18\text{ch})$

Protection d'entrée : 1000 V c.c. ou 1000 V c.a. valeur efficace

* Ne comprend pas la précision de la sonde thermocouple.

* La spécification de précision suppose une température ambiante stable à $\pm 1^\circ\text{C}$. Pour les changements de température de $\pm 5^\circ\text{C}$, la précision nominale s'applique au bout de 2 heures.

Remarque : La valeur efficace TRMS c.a.+c.c. doit être supérieure à la plage sélectionnée car le signal c.a. peut s'ajouter au niveau c.c.

(11) Tension c.a.+c.c.

Plage	Résolution	Pour précision 61-484	Pour précision 61-486
6,000 V	0,001 V	± (2,5 % + 5ch)	± (2 % + 5ch)
60,00 V	0,01 V		
600,0 V	0,1 V		
1000 V	1 V		

Les spécifications supplémentaires sont les mêmes que la fonction tension.

(12) AC+DC mV

Plage	Résolution	Pour précision 61-484	Pour précision 61-486
60,00 mV	0,1 mV	± (2,5 % + 5ch)	± (2 % + 10ch)
600,0 mV	,1 mV		

Les spécifications supplémentaires sont les mêmes que la fonction tension.

(13) c.a.+c.c. mA

Plage	Résolution	Pour précision 61-484	Pour précision 61-486
60,00 mA	0,1 mA	± (2,5 % + 5ch)	± (2 % + 5ch)
600,0 mA	,1 mA		

Les spécifications supplémentaires sont les mêmes que la fonction courant.

(14) c.a. + c.c. A

Plage	Résolution	Pour précision 61-484	Pour précision 61-486
600,0 A	0,001 VA	± (2,5 % + 5ch)	± (2 % + 5ch)
10,00 A	0,01 A		

Les spécifications supplémentaires sont les mêmes que la fonction courant.

Entretien

Ne pas tenter de réparer cet appareil. Il ne comporte aucune pièce réparable par l'utilisateur. Les réparations et l'entretien-dépannage doivent être effectués exclusivement par un personnel qualifié.

Nettoyage

Essuyer régulièrement le boîtier avec un chiffon sec et du détergent. Ne pas utiliser d'abrasifs ou de solvants.

Évacuation des déchets de matériel électrique et électronique



Afin de préserver, protéger et améliorer la qualité de l'environnement, protéger la santé humaine et utiliser les ressources naturelles prudemment et rationnellement, l'utilisateur doit retourner les produits non réparables aux installations pertinentes conformément aux dispositions légales. La poubelle barrée indique que le produit doit être traité séparément et non comme des déchets municipaux.



Évacuation des piles et accumulateurs usagés!

Évacuation des piles et accumulateurs usagés!



L'utilisateur est légalement obligé de rapporter les piles et accumulateurs usagés. L'évacuation des piles usées dans les ordures ménagères est interdite! Les piles et accumu-

lateurs contenant des substances dangereuses sont marqués par la poubelle barrée d'une croix. Le symbole indique qu'il est interdit d'évacuer le produit dans les ordures ménagères. Les symboles chimiques pour les substances dangereuses respectives sont

Cd = Cadmium, **Hg** = mercure, **Pb** = plomb.

Vous pouvez rendre les piles et accumulateurs usés gratuitement à tout point de collecte des autorités locales, dans nos magasins, ou dans les lieux où les piles et accumulateurs sont vendus. Vous vous conformerez ainsi aux obligations légales et contribuerez à la protection de l'environnement.

Déclaration de garantie:

Cet appareil est garanti à l'acheteur primitif contre tout vice de matière ou de façon pendant deux ans à compter de la date d'achat. Durant cette période de garantie IDEAL INDUSTRIES, INC., à son choix, remplacera ou réparera l'unité défectueuse, suite à la vérification du défaut ou du dysfonctionnement. Cette garantie ne s'applique pas aux fusibles, aux piles ou aux dommages résultant d'une utilisation abusive, de la négligence, d'un accident, d'une réparation non autorisée, d'une modification ou d'une utilisation déraisonnable de l'instrument.

Toutes les garanties implicites résultant de la vente d'un produit IDEAL, incluant sans y être limitées les garanties implicites de valeur marchande et d'adaptation à une fin particulière, sont limitées aux conditions ci-dessus. Le fabricant ne sera pas tenu pour responsable de la perte d'usage de l'instrument, ni d'autres dommages accessoires ou indirects, dépenses ou préjudice financier, ou de toute(s) réclamation(s) pour de tels dommages, dépenses ou préjudices.

Les lois des provinces varient, donc les limitations et exclusions précédentes peuvent ne pas s'appliquer dans votre cas. Cette garantie vous donne des droits légaux spécifiques, et vous pouvez aussi avoir d'autres droits qui varient d'une province à l'autre. La garantie ne concerne pas les piles ou les conducteurs d'essai.

IDEAL INDUSTRIES, INC.

Sycamore, IL 60178 Estados Unidos de América
Technical Hotline / Línea de asistencia técnica / Télé-assistance technique:
877- 201-9005

www.testersandmeters.com

ND 7635-1

Made in Taiwan / Fabricado en Taiwán / Fabriqué à Taïwan