



Ferrule; Sleeve for 0.75 mm² / AWG 20; insulated; electro-tin plated

Item No.: 216-202



Ferrule; Sleeve for 0.75 mm² / AWG 20; insulated; electro-tin plated

Marking

RoHS ✓
Compliant

Business data

Supplier	WAGO
Item no.	216-202
GTIN / EAN	4017332277457
Content	1
Order amount	1,000
Customer item number	

Notes

Technical data

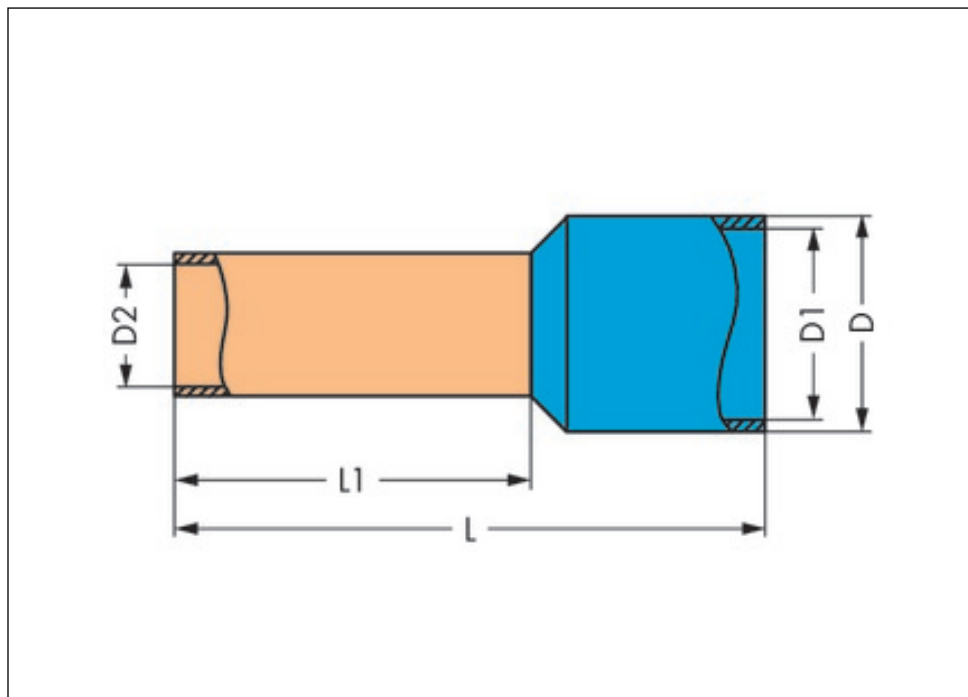
Miscellaneous

Packaging type	BOX
Main product function	Ferrule
Strip length	10 mm / 0.39 Inch
Weight [g]	0.093 [g]
Diameter [mm]	3.3 [mm]
Diameter 1 [mm]	2.8 [mm]

Technical data	
<i>Diameter 2 [mm]</i>	<i>1.2 [mm]</i>
<i>Length [mm]</i>	<i>14 [mm]</i>
<i>Length 1 [mm]</i>	<i>8 [mm]</i>
<i>Color</i>	<i>gray</i>
<i>Fire load [MJ]</i>	<i>0.001 [MJ]</i>

Images & drawings





Address

WAGO Kontakttechnik GmbH & Co. KG

Hansastr. 27

32423 Minden

Telefon: 0571/887-0

Fax: 0571/887-169

<http://www.wago.com>

© WAGO Kontakttechnik GmbH & Co. KG

Technische Änderungen und Irrtümer vorbehalten.