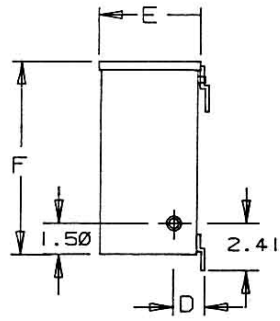
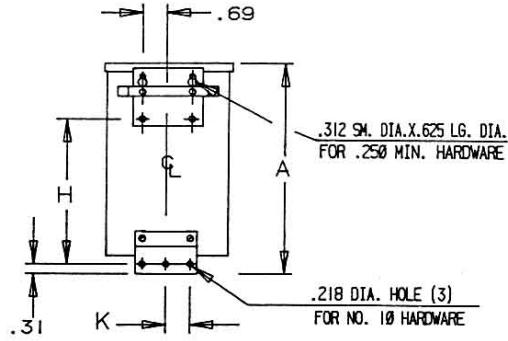


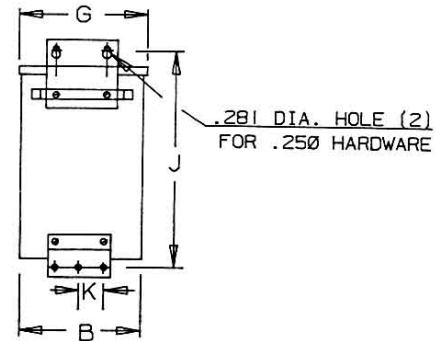
Revisions



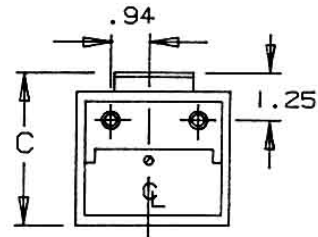
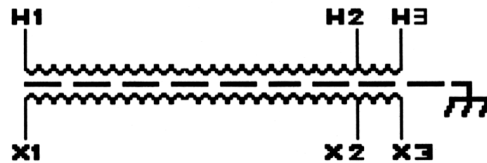
SIDE



BACK (1)



BACK (2)



BOTTOM

INPUT CONNECTIONS		
VOLTS	INPUT LINES	
	1	2
277	H1	H2
480	H1	H3

OUTPUT CONNECTIONS		
VOLTS	OUTPUT LINES	
	1	2
208	X1	X2
277	X1	X3



Type No.

KVA	CATALOG NUMBER	VOLTAGE		WIRING DIAGRAM	WEIGHT	PHASE	FREQ.
		HIGH	LOW				
.500	GP12-500-S	277 / 480	208 / 277		Lbs	1	60 Hz

TYPICAL PERFORMANCE DATA

Winding Rise	115°C
Insulation	180°C
Sound Level	45 dB

Regulation @ 100% PF	5.5%
-------------------------	------

IMPEDANCE	5.47%
-----------	-------

Typical Efficiency	87.52 %
Full Load Losses	71.27 W
No Load Losses	43.91 W

A	B	C	D	E	F	G	H	J	K
8.58	4.28	4.20	1.48	3.98	7.74	4.37	5.09	9.06	0.94

							A	PRINTS TO	CONTROL	7
--	--	--	--	--	--	--	----------	-----------	---------	----------

GP12-500-S