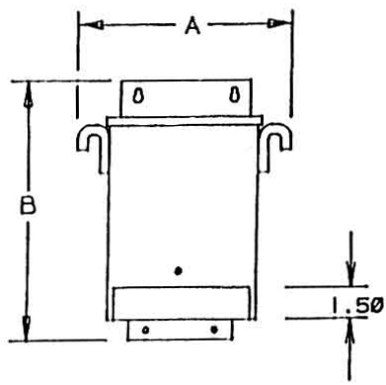
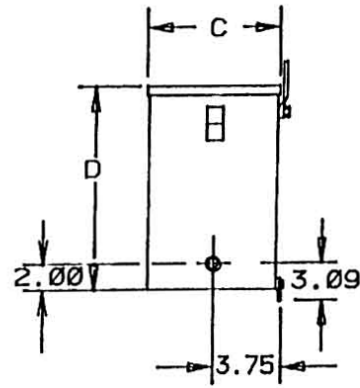


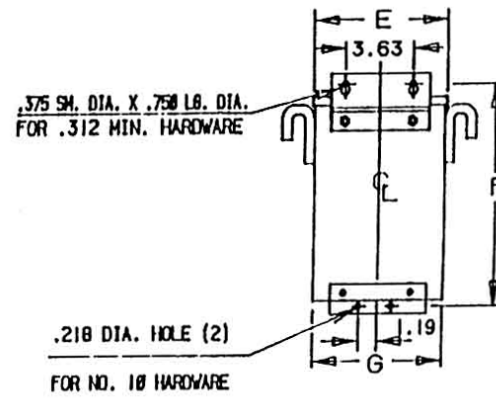
Revisions



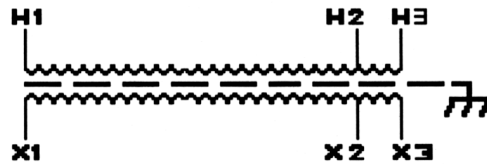
FRONT



SIDE

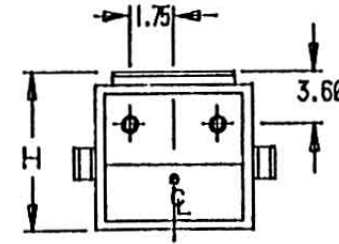


BACK



INPUT CONNECTIONS		
VOLTS	INPUT LINES 1 2	
277	H1	H2
480	H1	H3

OUTPUT CONNECTIONS		
VOLTS	OUTPUT LINES 1 2	
208	X1	X2
277	X1	X3



BOTTOM



Type No.

KVA	CATALOG NUMBER	VOLTAGE		WIRING DIAGRAM	WEIGHT	PHASE	FREQ.
		HIGH	LOW				
3.0	GP12-3000-S	277 / 480	208 / 277		58 Lbs	1	60 Hz

TYPICAL PERFORMANCE DATA

Winding Rise	115°C	Regulation @ 100% PF	2.7%	IMPEDANCE	3.12%	Typical Efficiency	94.19 %
Insulation	180°C					No Load Losses	103.8 W
Sound Level	45 dB					Full Load Losses	185.1 W

A	B	C	D	E	F	G	H
10.31	12.50	6.65	10.19	7.81	11.50	7.68	7.13

A

PRINTS TO

CONTROL
7

GP12-3000-S