

APO SERIES

Features

APO sizes range consists of nine sizes from 7" x 6" to 24" x 24" with varying depths. All AOP enclosures have the capability to be horizontally or vertically coupled by means of gasketed coupling collars.

All bases are gray (RAL 7035) and are hot compression molded with fiberglass reinforced polyester. Brass M4 threaded inserts are factory installed for attachment of mounting plates.

Covers are made of either clear polycarbonate or opaque gray (RAL7035) hot compression molded fiberglass reinforced polyester. DT covers are UL recognized.

APO enclosures meet Ingress Protection standard IP67-11 and IP67-9, respectively (NBN C20-001 annex A).

Large APO enclosures are maintenance free and corrosion resistant.

Four to six bosses suitable for M6 threaded inserts are provided in each base.

APO enclosures are suitable for wall or pole mounting.

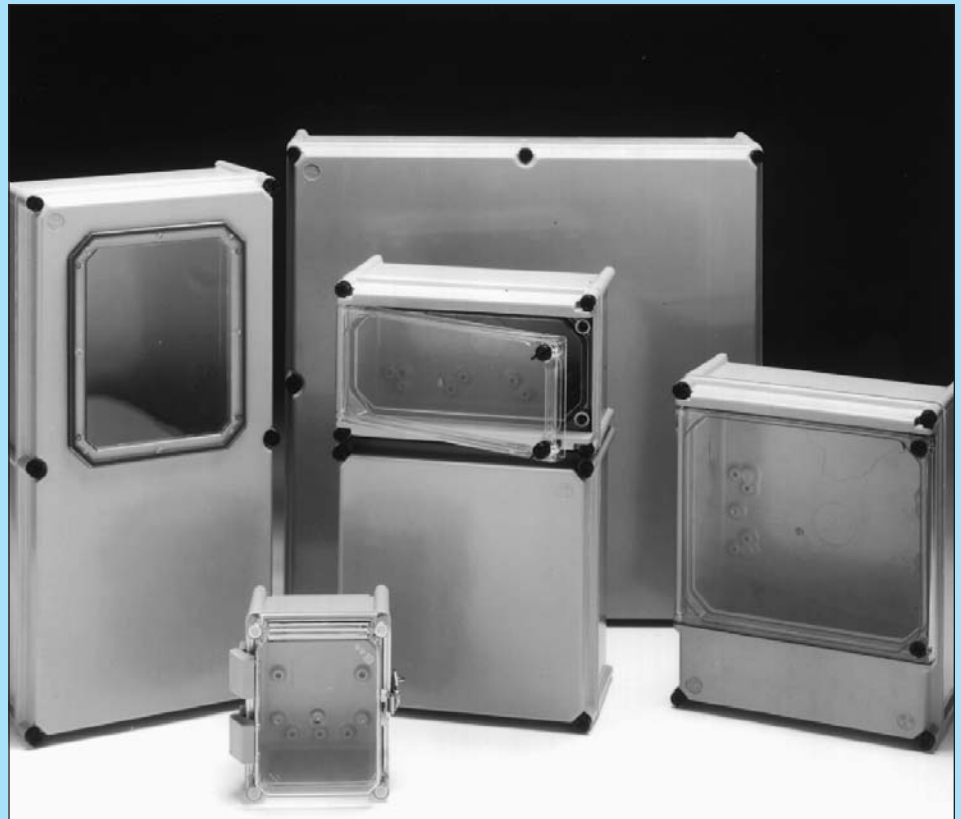
These enclosures may easily be modified with conventional tools such as a drill, milling equipment, saw or a punch.

Vynckier's APO enclosures are capable of withstanding continuous temperatures up to 302 F (150 C).

Clear polycarbonate covers are able to resist temperatures of up to 248°F (120°C).

APO enclosures provide protection for equipment and operators from indirect electrical contact.

PO enclosures are UL listed per UL Standard 508 and CSA Certified per Standard C22.2-0, 0.4, 0.7, 0.6, 94 Type 3,3R, 4, 4X, 12 and 13.




Application

Designed for use as insulated electrical junction boxes, terminal wiring boxes, instrument housings, and electrical control enclosures in highly corrosive environments. Ideal for use in most petro-chemical plants, sewage plants, electroplating plants, etc. that may be subject to occasional submersion. Clear polycarbonate cover provides easy visual inspection of interior components.

Standards

IEC 439-1
 IEC 529 - Rated IP67-11
 EN 60439-1
 EN 60529
 CSA Certified per C22.2 No. 94

Approvals

 UL 508 NEMA 3, 3R, 4, 4X, 12 & 13

 CSA

 AS Australian Standards 3131-1991

 EExII, NIEB 88B.102.698 U

RoHS

 LLOYD'S Register of Shipping

BASEEFA

Static Load

Nonmetallic feet:

These mounting feet have been successfully tested with loads up to 330 lbs.

Stainless steel feet:

These mounting feet have been successfully tested with loads up to 330 lbs.

Direct corner mounting:

Loads up to 660 lbs. have been successfully tested.

These are tested loads and are below the product limitations. However, for high load applications, direct corner mounting is recommended.



FRP NEMA rating 3, 3R, 4, 4X, 12, 13 enclosures APO with Polyester Cover

Opaque gray cover with non metallic cover screws



Screw Cover

FEATURES

- Bases and covers are made of hot-molded fiberglass reinforced polyester, dyed in mass
- Protection degree IP67-11 according to IEC 529 and CENELEC EN 60529
- APO series are UL-listed, per UL standard 508 and CSA-certified per STD C22.2 No. 94 type 3, 3R, 4, 4X, 12 and 13
- Temperature resistance -58°F to +302°F (-50°C to +150°C)
Momentary to +392°F (200°C)
- Halogen-Free

ACCESSORIES

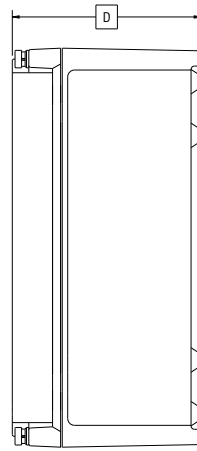
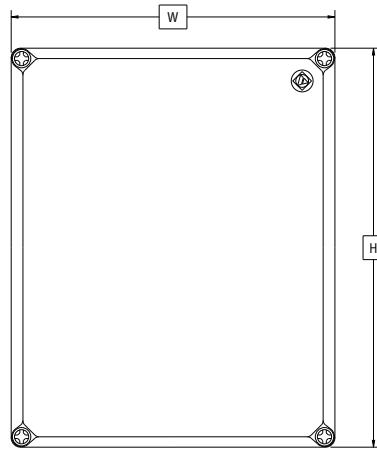
- Versatile mounting options such as non-metallic and stainless steel mounting feet and pole kits
 - Coupling accessories such as coupling cover plates, coupling collars and coupling bridges
 - Locks, carrying handle and air vents
- Accessories, see pg. 59

Part Numbers	Outside			Inside			Weight	Back Plate*	Back Plate Dimensions H x W	Hinged .080" Aluminum Frontplate	Panel Size
	H	W	D	h	w	d					
A1-706 (mm)	7.32 (186)	5.94 (151)	5.50 (140)	6.54 (166)	5.12 (130)	4.52 (115)	2.5 lb 1.14 kg	BP706	5.5 x 4.50 (140 x 114)	FPH706A	6.30 X 4.90
A31-1207 (mm)	11.88 (302)	7.32 (186)	6.88 (175)	11.06 (281)	6.54 (166)	5.85 (149)	4.0 lb 1.81 kg	BP1207	9 x 5.50 (229 x 140)	FPH1207A	10.80 X 6.30
A41-1212 (mm)	11.88 (302)	11.88 (302)	6.88 (175)	11.06 (281)	11.06 (281)	5.85 (149)	5.0 lb 2.27 kg	BP1212	10 x 9 (254 x 229)	FPH1212A	10.80 X 10.80
A71-1412 (mm)	14.62 (371)	11.88 (302)	6.88 (175)	13.80 (351)	11.06 (281)	5.85 (149)	6.0 lb 2.72 kg	BP1412	12 x 10 (305 x 254)	FPH1412A	13.60 X 10.80
A51-1912 (mm)	19.20 (488)	11.88 (302)	6.88 (175)	18.30 (467)	11.06 (281)	5.85 (149)	7.5 lb 3.40 kg	BP1912	17 x 10.50 (432 x 267)	FPH1912A	18.10 X 10.80
A81-2212 (mm)	21.93 (557)	11.88 (302)	6.88 (175)	21.10 (536)	11.06 (281)	5.85 (149)	9.5 lb 4.30 kg	BP2212	19 x 12 (483 x 305)	FPH2212A	21.20 X 10.80
A61-2412 (mm)	23.78 (604)	11.88 (302)	6.88 (175)	22.80 (579)	11.06 (281)	5.85 (149)	10.0 lb 4.53 kg	BP2412	21 x 10 (533 x 254)	FPH2412A	22.60 X 10.80
A11-2414 (mm)	23.78 (604)	14.68 (375)	6.88 (175)	22.80 (579)	13.80 (351)	5.85 (149)	11.8 lb 5.35 kg	BP2414	21 x 12.75 (533 x 324)	FPH2414A	22.60 X 13.50
A12-2424 (mm)	23.78 (604)	23.78 (604)	6.88 (175)	22.80 (579)	22.80 (579)	5.85 (149)	17.5 lb 7.93 kg	BP2424	21.88 x 21.88 (556 x 556)	FPH2424A	22.60 X 22.60

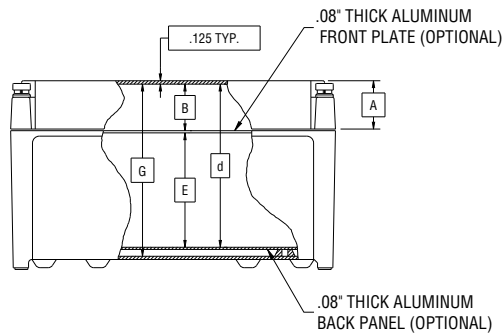
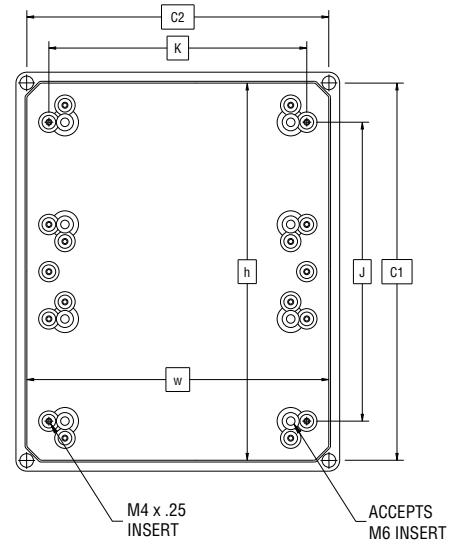
*** COMPLETE YOUR PART NUMBER WITH ONE OF THE FOLLOWING:**

- A aluminum back panel (.080" material thickness)
- S painted steel back panel (.060" material thickness)
- N non-metallic back panel (.187" material thickness)

** (13 gauge) 1/4 turn screws available, specify FP025A



FRONT VIEW-COVER REMOVED



Part Numbers	Outside			Inside			Dimensions							
	H	W	D	h	w	d	A	B	C1	C2	E	G	J	K
A1-706 (mm)	7.32 (186)	5.94 (151)	5.50 (140)	6.54 (166)	5.12 (130)	4.52 (115)	1.77 45	1.65 42	6.54 166	5.15 131	2.79 71	4.91 125	3.74 95	3.54 90
A31-1207 (mm)	11.88 (302)	7.32 (186)	6.88 (175)	11.06 (281)	6.54 (166)	5.85 (149)	1.77 45	1.65 42	11.06 281	6.54 166	4.12 105	6.30 160	8.27 210	4.92 125
A41-1212 (mm)	11.88 (302)	11.88 (302)	6.88 (175)	11.06 (281)	11.06 (281)	5.85 (149)	1.77 45	1.65 42	11.06 281	11.06 281	4.12 105	6.30 160	9.45 240	8.27 210
A71-1412 (mm)	14.62 (371)	11.88 (302)	6.88 (175)	13.80 (351)	11.06 (281)	5.85 (149)	1.77 45	1.65 42	13.80 351	11.06 281	4.12 105	6.30 160	11.02 280	9.45 240
A51-1912 (mm)	19.20 (488)	11.88 (302)	6.88 (175)	18.30 (467)	11.06 (281)	5.85 (149)	1.77 45	1.65 42	18.30 465	11.06 281	4.12 105	6.30 160	15.59 396	9.45 240
A81-2212 (mm)	21.93 (557)	11.88 (302)	6.88 (175)	21.10 (536)	11.06 (281)	5.85 (149)	1.77 45	1.65 42	21.10 536	11.06 281	4.12 105	6.30 160	18.35 466	9.45 240
A61-2412 (mm)	23.78 (604)	11.88 (302)	6.88 (175)	22.80 (579)	11.06 (281)	5.85 (149)	1.77 45	1.65 42	22.80 579	11.06 281	4.12 105	6.30 160	21.12 536	9.45 240
A11-2414 (mm)	23.78 (604)	14.68 (375)	6.88 (175)	22.80 (579)	13.80 (351)	5.85 (149)	1.77 45	1.65 42	22.80 579	13.80 351	4.12 105	6.30 160	20.12 511	12.20 310
A12-2424 (mm)	23.78 (604)	23.78 (604)	6.88 (175)	22.80 (579)	22.80 (579)	5.85 (149)	1.77 45	1.65 42	22.80 579	22.80 579	4.12 105	6.30 160	21.30 541	20.12 511

FRP NEMA rating 3, 3R, 4, 4X, 12, 13 enclosures APO with Polyester Cover

Opaque gray cover with cover screws and non-metallic hinges



**Non-metallic Hinges
& Cover Screws**

FEATURES

- Bases and covers are made of hot-molded fiberglass reinforced polyester, dyed in mass
- Protection degree IP67-11 according to IEC 529 and CENELEC EN 60529
- APO series are UL-listed, per UL standard 508 and CSA-certified per STD C22.2 No. 94 type 3, 3R, 4, 4X, 12 and 13
- Temperature resistance -58°F to +302°F (-50°C to +150°C)
Momentary to +392°F (200°C)
- Halogen-Free

ACCESSORIES

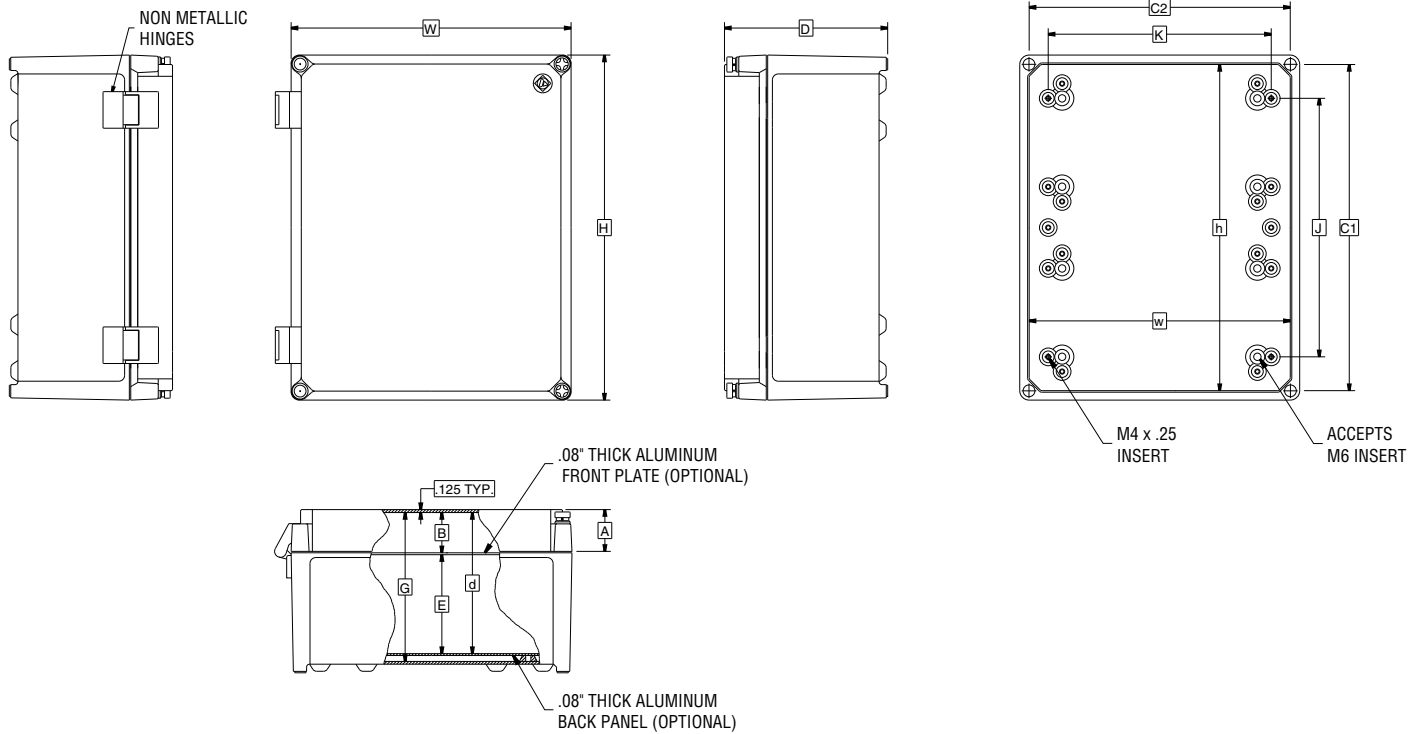
- Versatile mounting options such as non-metallic and stainless steel mounting feet and pole kits
 - Coupling accessories such as coupling cover plates, coupling collars and coupling bridges
 - Locks, carrying handle and air vents
- Accessories, see pg. 59

Part Numbers	Outside			Inside			Weight	Back Plate*	Back Plate Dimensions H x W	Hinged .080" Aluminum Frontplate	Panel Size
	H	W	D	h	w	d					
A1-706H (mm)	7.32 (186)	5.94 (151)	5.50 (140)	6.54 (166)	5.12 (130)	4.52 (115)	2.5 lb 1.14 kg	BP706	5.5 x 4.50 (140 x 114)	FPH706A	6.30 X 4.90
A31-1207H (mm)	11.88 (302)	7.32 (186)	6.88 (175)	11.06 (281)	6.54 (166)	5.85 (149)	4.0 lb 1.81 kg	BP1207	9 x 5.50 (229 x 140)	FPH1207A	10.80 X 6.30
A41-1212H (mm)	11.88 (302)	11.88 (302)	6.88 (175)	11.06 (281)	11.06 (281)	5.85 (149)	5.0 lb 2.27 kg	BP1212	10 x 9 (254 x 229)	FPH1212A	10.80 X 10.80
A71-1412H (mm)	14.62 (371)	11.88 (302)	6.88 (175)	13.80 (351)	11.06 (281)	5.85 (149)	6.0 lb 2.72 kg	BP1412	12 x 10 (305 x 254)	FPH1412A	13.60 X 10.80
A51-1912H (mm)	19.20 (488)	11.88 (302)	6.88 (175)	18.30 (467)	11.06 (281)	5.85 (149)	7.5 lb 3.40 kg	BP1912	17 x 10.50 (432 x 267)	FPH1912A	18.10 X 10.80
A81-2212H (mm)	21.93 (557)	11.88 (302)	6.88 (175)	21.10 (536)	11.06 (281)	5.85 (149)	9.5 lb 4.30 kg	BP2212	19 x 12 (483 x 305)	FPH2212A	21.20 X 10.80
A61-2412H (mm)	23.78 (604)	11.88 (302)	6.88 (175)	22.80 (579)	11.06 (281)	5.85 (149)	10.0 lb 4.53 kg	BP2412	21 x 10 (533 x 254)	FPH2412A	22.60 X 10.80
A11-2414H (mm)	23.78 (604)	14.68 (375)	6.88 (175)	22.80 (579)	13.80 (351)	5.85 (149)	11.8 lb 5.35 kg	BP2414	21 x 12.75 (533 x 324)	FPH2414A	22.60 X 13.50
A12-2424H (mm)	23.78 (604)	23.78 (604)	6.88 (175)	22.80 (579)	22.80 (579)	5.85 (149)	17.5 lb 7.93 kg	BP2424	21.88 x 21.88 (556 x 556)	FPH2424A	22.60 X 22.60

*COMPLETE YOUR PART NUMBER WITH ONE OF THE FOLLOWING:

- A aluminum back panel (.080" material thickness)
- S painted steel back panel (.060" material thickness)
- N non-metallic back panel (.187" material thickness)

** (13 gauge) 1/4 turn screws available, specify FP025A



Part Numbers	Outside			Inside			Dimensions							
	H	W	D	h	w	d	A	B	C1	C2	E	G	J	K
A1-706H (mm)	7.32 (186)	5.94 (151)	5.50 (140)	6.54 (166)	5.12 (130)	4.52 (115)	1.77 45	1.65 42	6.54 166	5.15 131	2.79 71	4.91 125	3.74 95	3.54 90
A31-1207H (mm)	11.88 (302)	7.32 (186)	6.88 (175)	11.06 (281)	6.54 (166)	5.85 (149)	1.77 45	1.65 42	11.06 281	6.54 166	4.12 105	6.37 162	8.27 210	4.92 125
A41-1212H (mm)	11.88 (302)	11.88 (302)	6.88 (175)	11.06 (281)	11.06 (281)	5.85 (149)	1.77 45	1.65 42	11.06 281	11.06 281	4.12 105	6.37 162	9.45 240	8.27 210
A71-1412H (mm)	14.62 (371)	11.88 (302)	6.88 (175)	13.80 (351)	11.06 (281)	5.85 (149)	1.77 45	1.65 42	13.80 351	11.06 281	4.12 105	6.37 162	11.02 280	9.45 240
A51-1912H (mm)	19.20 (488)	11.88 (302)	6.88 (175)	18.30 (467)	11.06 (281)	5.85 (149)	1.77 45	1.65 42	18.30 465	11.06 281	4.12 105	6.37 162	15.59 396	9.45 240
A81-2212H (mm)	21.93 (557)	11.88 (302)	6.88 (175)	21.10 (536)	11.06 (281)	5.85 (149)	1.77 45	1.65 42	21.10 536	11.06 281	4.12 105	6.37 162	18.35 466	9.45 240
A61-2412H (mm)	23.78 (604)	11.88 (302)	6.88 (175)	22.80 (579)	11.06 (281)	5.85 (149)	1.77 45	1.65 42	22.80 579	11.06 281	4.12 105	6.37 162	21.12 536	9.45 240
A11-2414H (mm)	23.78 (604)	14.68 (375)	6.88 (175)	22.80 (579)	13.80 (351)	5.85 (149)	1.77 45	1.65 42	22.80 579	13.80 351	4.12 105	6.37 162	20.12 511	12.20 310
A12-2424H (mm)	23.78 (604)	23.78 (604)	6.88 (175)	22.80 (579)	22.80 (579)	5.85 (149)	1.77 45	1.65 42	22.80 579	22.80 579	4.12 105	6.37 162	21.30 541	20.12 511

FRP NEMA rating 3, 3R, 4, 4X, 12 & 13 enclosures APO with Polyester Cover

Opaque gray cover with non-metallic hinges and stainless steel latches



Non metallic Hinges and SS Latches

FEATURES

- Bases and covers are made of hot-molded fiberglass reinforced polyester, dyed in mass
- Protection degree IP67-11 according to IEC 529 and CENELEC EN 60529
- APO series are UL-listed, per UL standard 508 and CSA-certified per STD C22.2 No. 94 type 3, 3R, 4, 4X, 12 and 13
- Temperature resistance -58°F to +302°F (-50°C to +150°C)
Momentary to +392°F (200°C)
- Halogen-Free

ACCESSORIES

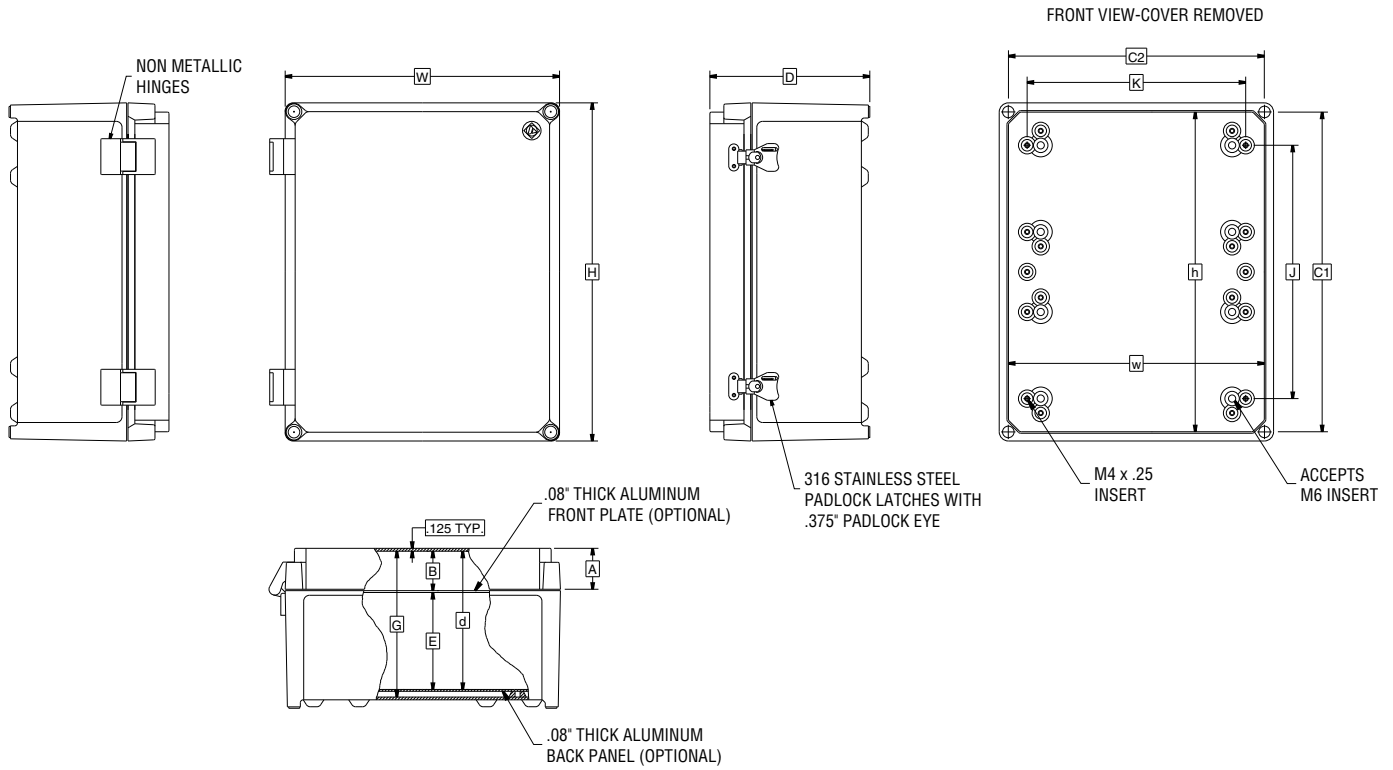
- Versatile mounting options such as non-metallic and stainless steel mounting feet and pole kits
 - Coupling accessories such as coupling cover plates, coupling collars and coupling bridges
 - Locks, carrying handle and air vents
- Accessories, see pg. 59

Part Numbers	Outside			Inside			Weight	Back Plate*	Back Plate Dimensions H x W	Hinged .080" Aluminum Frontplate	Panel Size
	H	W	D	h	w	d					
A1-706HPL1 (mm)	7.32 (186)	5.94 (151)	5.50 (140)	6.54 (166)	5.12 (130)	4.52 (115)	2.5 lb 1.14 kg	BP706	5.5 x 4.50 (140 x 114)	FPH706A	6.30 X 4.90
A31-1207HPL2 (mm)	11.88 (302)	7.32 (186)	6.88 (175)	11.06 (281)	6.54 (166)	5.85 (149)	4.0 lb 1.81 kg	BP1207	9 x 5.50 (229 x 140)	FPH1207A	10.80 X 6.30
A41-1212HPL2 (mm)	11.88 (302)	11.88 (302)	6.88 (175)	11.06 (281)	11.06 (281)	5.85 (149)	5.0 lb 2.27 kg	BP1212	10 x 9 (254 x 229)	FPH1212A	10.80 X 10.80
A71-1412HPL2 (mm)	14.62 (371)	11.88 (302)	6.88 (175)	13.80 (351)	11.06 (281)	5.85 (149)	6.0 lb 2.72 kg	BP1412	12 x 10 (305 x 254)	FPH1412A	13.60 X 10.80
A51-1912HPL2 (mm)	19.20 (488)	11.88 (302)	6.88 (175)	18.30 (467)	11.06 (281)	5.85 (149)	7.5 lb 3.40 kg	BP1912	17 x 10.50 (432 x 267)	FPH1912A	18.10 X 10.80
A81-2212HPL2 (mm)	21.93 (557)	11.88 (302)	6.88 (175)	21.10 (536)	11.06 (281)	5.85 (149)	9.5 lb 4.30 kg	BP2212	19 x 12 (483 x 305)	FPH2212A	21.20 X 10.80
A61-2412HPL2 (mm)	23.78 (604)	11.88 (302)	6.88 (175)	22.80 (579)	11.06 (281)	5.85 (149)	10.0 lb 4.53 kg	BP2412	21 x 10 (533 x 254)	FPH2412A	22.60 X 10.80
A11-2414HPL2 (mm)	23.78 (604)	14.68 (375)	6.88 (175)	22.80 (579)	13.80 (351)	5.85 (149)	11.8 lb 5.35 kg	BP2414	21 x 12.75 (533 x 324)	FPH2414A	22.60 X 13.50
A12-2424HPL4 (mm)	23.78 (604)	23.78 (604)	6.88 (175)	22.80 (579)	22.80 (579)	5.85 (149)	17.5 lb 7.93 kg	BP2424	21.88 x 21.88 (556 x 556)	FPH2424A	22.60 X 22.60

*** COMPLETE YOUR PART NUMBER WITH ONE OF THE FOLLOWING:**

- A aluminum back panel (.080" material thickness)
- S painted steel back panel (.060" material thickness)
- N non-metallic back panel (.187" material thickness)

** (13 gauge) 1/4 turn screws available, specify FP025A



Part Numbers	Outside			Inside			Dimensions							
	H	W	D	h	w	d	A	B	C1	C2	E	G	J	K
A1-706HPL1 (mm)	7.32 (186)	5.94 (151)	5.50 (140)	6.54 (166)	5.12 (130)	4.52 (115)	1.77 45	1.65 42	6.54 166	5.15 131	2.79 71	4.91 125	3.74 95	3.54 90
A31-1207HPL2 (mm)	11.88 (302)	7.32 (186)	6.88 (175)	11.06 (281)	6.54 (166)	5.85 (149)	1.77 45	1.65 42	11.06 281	6.54 166	4.12 105	6.30 160	8.27 210	4.92 125
A41-1212HPL2 (mm)	11.88 (302)	11.88 (302)	6.88 (175)	11.06 (281)	11.06 (281)	5.85 (149)	1.77 45	1.65 42	11.06 281	11.06 281	4.12 105	6.30 160	9.45 240	8.27 210
A71-1412HPL2 (mm)	14.62 (371)	11.88 (302)	6.88 (175)	13.80 (351)	11.06 (281)	5.85 (149)	1.77 45	1.65 42	13.80 351	11.06 281	4.12 105	6.30 160	11.02 280	9.45 240
A51-1912HPL2 (mm)	19.20 (488)	11.88 (302)	6.88 (175)	18.30 (467)	11.06 (281)	5.85 (149)	1.77 45	1.65 42	18.30 465	11.06 281	4.12 105	6.30 160	15.59 396	9.45 240
A81-2212HPL2 (mm)	21.93 (557)	11.88 (302)	6.88 (175)	21.10 (536)	11.06 (281)	5.85 (149)	1.77 45	1.65 42	21.10 536	11.06 281	4.12 105	6.30 160	18.35 466	9.45 240
A61-2412HPL2 (mm)	23.78 (604)	11.88 (302)	6.88 (175)	22.80 (579)	11.06 (281)	5.85 (149)	1.77 45	1.65 42	22.80 579	11.06 281	4.12 105	6.30 160	21.12 536	9.45 240
A11-2414HPL2 (mm)	23.78 (604)	14.68 (375)	6.88 (175)	22.80 (579)	13.80 (351)	5.85 (149)	1.77 45	1.65 42	22.80 579	13.80 351	4.12 105	6.30 160	20.12 511	12.20 310
A12-2424HPL4 (mm)	23.78 (604)	23.78 (604)	6.88 (175)	22.80 (579)	22.80 (579)	5.85 (149)	1.77 45	1.65 42	22.80 579	22.80 579	4.12 105	6.30 160	21.30 541	20.12 511

FRP NEMA rating 3, 3R, 4, 4X, 12 & 13 enclosures APO with Polyester Cover

Opaque gray cover with cover screws and one extension collar



Cover Screws with one Extension Collar

FEATURES

- Bases and covers are made of hot-molded fiberglass reinforced polyester, dyed in mass
- Protection degree IP67-11 according to IEC 529 and CENELEC EN 60529
- APO series are UL-listed, per UL standard 508 and CSA-certified per STD C22.2 No. 94 type 3, 3R, 4, 4X, 12 and 13
- Temperature resistance -58°F to +302°F (-50°C to +150°C)
Momentary to +392°F (200°C)
- Halogen-Free

ACCESSORIES

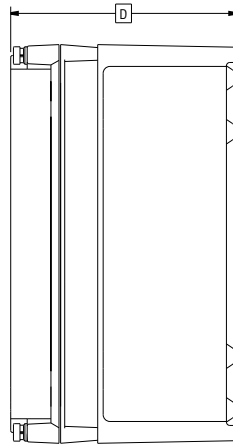
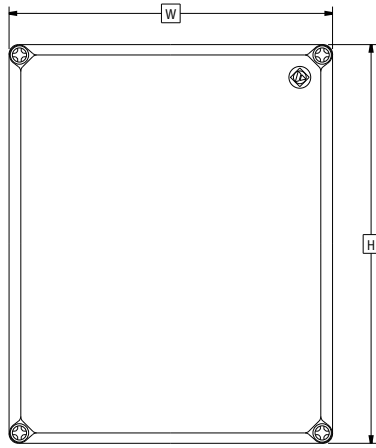
- Versatile mounting options such as non-metallic and stainless steel mounting feet and pole kits
 - Coupling accessories such as coupling cover plates, coupling collars and coupling bridges
 - Locks, carrying handle and air vents
- Accessories, see pg. 59

Part Numbers	Outside			Inside			Weight	Back Plate*	Back Plate Dimensions H x W	Hinged .080" Aluminum Frontplate	Panel Size
	H	W	D	h	w	d					
A1-706E1 (mm)	7.32 (186)	5.94 (151)	6.89 (175)	6.54 (166)	5.12 (130)	5.91 (150)	3.3 lb 1.49 kg	BP706	5.5 x 4.50 (140 x 114)	FPH706A	6.30 X 4.90
A31-1207E1 (mm)	11.88 (302)	7.32 (186)	8.27 (210)	11.06 (281)	6.54 (166)	7.23 (183.6)	4.7 lb 2.13 kg	BP1207	9 x 5.50 (229 x 140)	FPH1207A	10.80 X 6.30
A41-1212E1 (mm)	11.88 (302)	11.88 (302)	8.27 (210)	11.06 (281)	11.06 (281)	7.23 (183.6)	5.8 lb 2.63 kg	BP1212	10 x 9 (254 x 229)	FPH1212A	10.80 X 10.80
A71-1412E1 (mm)	14.62 (371)	11.88 (302)	8.27 (210)	13.80 (351)	11.06 (281)	7.23 (183.6)	7.0 lb 3.17 kg	BP1412	12 x 10 (305 x 254)	FPH1412A	13.60 X 10.80
A81-2212E1 (mm)	21.93 (557)	11.88 (302)	9.25 (235)	21.10 (536)	11.06 (281)	8.23 (209)	11.5 lb 5.21 kg	BP2212	19 x 12 (483 x 305)	FPH2212A	21.20 X 10.80
A61-2412E1 (mm)	23.78 (604)	11.88 (302)	9.25 (235)	22.80 (579)	11.06 (281)	8.23 (209)	12.3 lb 5.57 kg	BP2412	21 x 10 (533 x 254)	FPH2412A	22.60 X 10.80
A11-2414E1 (mm)	23.78 (604)	14.68 (375)	9.25 (235)	22.80 (579)	13.80 (351)	8.23 (209)	14.4 lb 6.52 kg	BP2414	21 x 12.75 (533 x 324)	FPH2414A	22.60 X 13.50
A12-2424E1 (mm)	23.78 (604)	23.78 (604)	9.25 (235)	22.80 (579)	22.80 (579)	8.23 (209)	21 lb 9.51 kg	BP2424	21.88 x 21.88 (556 x 556)	FPH2424A	22.60 X 22.60

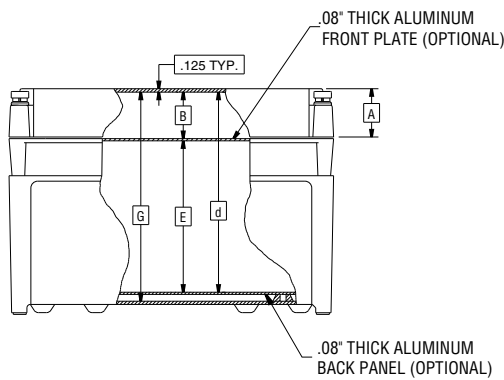
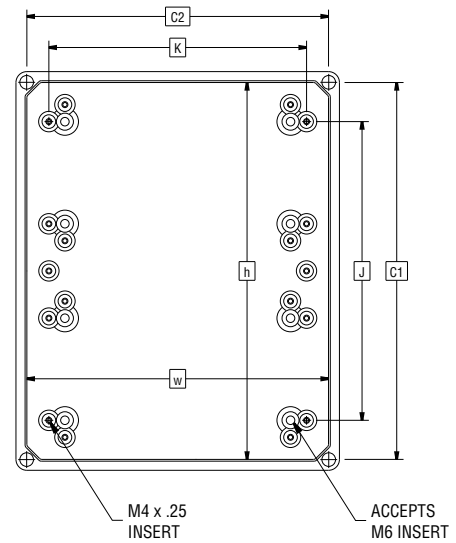
***COMPLETE YOUR PART NUMBER WITH ONE OF THE FOLLOWING:**

- A aluminum back panel (.080" material thickness)
- S painted steel back panel (.060" material thickness)
- N non-metallic back panel (.187" material thickness)

** (13 gauge) 1/4 turn screws available, specify FP025A



FRONT VIEW-COVER REMOVED



Part Numbers	Outside			Inside			Dimensions							
	H	W	D	h	w	d	A	B	C1	C2	E	G	J	K
A1-706E1 (mm)	7.32 (186)	5.94 (151)	6.89 (175)	6.54 (166)	5.12 (130)	5.91 (150)	1.77 45	1.65 42	6.54 166	5.15 131	4.12 105	6.30 160	3.74 95	3.54 90
A31-1207E1 (mm)	11.88 (302)	7.32 (186)	8.27 (210)	11.06 (281)	6.54 (166)	7.23 (184)	1.77 45	1.65 42	11.06 281	6.54 166	5.50 140	7.68 195	8.27 210	4.92 125
A41-1212E1 (mm)	11.88 (302)	11.88 (302)	8.27 (210)	11.06 (281)	11.06 (281)	7.23 (184)	1.77 45	1.65 42	11.06 281	11.06 281	5.50 140	7.68 195	9.45 240	8.27 210
A71-1412E1 (mm)	14.62 (371)	11.88 (302)	8.27 (210)	13.80 (351)	11.06 (281)	7.23 (184)	1.77 45	1.65 42	13.80 351	11.06 281	5.50 140	7.68 195	11.02 280	9.45 240
A81-2212E1 (mm)	21.93 (557)	11.88 (302)	9.25 (235)	21.10 (536)	11.06 (281)	8.23 (209)	1.77 45	1.65 42	21.10 536	11.06 281	5.50 140	8.70 221	18.35 466	9.45 240
A61-2412E1 (mm)	23.78 (604)	11.88 (302)	9.25 (235)	22.80 (579)	11.06 (281)	8.23 (209)	1.77 45	1.65 42	22.80 579	11.06 281	5.50 140	8.70 221	21.12 536	9.45 240
A11-2414E1 (mm)	23.78 (604)	14.68 (375)	9.25 (235)	22.80 (579)	13.80 (351)	8.23 (209)	1.77 45	1.65 42	22.80 579	13.80 351	6.54 166	8.70 221	20.12 511	12.20 310
A12-2424E1 (mm)	23.78 (604)	23.78 (604)	9.25 (235)	22.80 (579)	22.80 (579)	8.23 (209)	1.77 45	1.65 42	22.80 579	22.80 579	6.54 166	8.70 221	21.30 541	20.12 511

FRP NEMA rating 3, 3R, 4, 4X, 12 & 13 enclosures APO with Polyester Cover

Opaque gray cover with non-metallic hinges, cover screws and one extension collar



FEATURES

- Bases and covers are made of hot-molded fiberglass reinforced polyester, dyed in mass
- Protection degree IP67-11 according to IEC 529 and CENELEC EN 60529
- APO series are UL-listed, per UL standard 508 and CSA-certified per STD C22.2 No. 94 type 3, 3R, 4, 4X, 12 and 13
- Temperature resistance -58°F to +302°F (-50°C to +150°C)
Momentary to +392°F (200°C)
- Halogen-Free

ACCESSORIES

- Versatile mounting options such as non-metallic and stainless steel mounting feet and pole kits
 - Coupling accessories such as coupling cover plates, coupling collars and coupling bridges
 - Locks, carrying handle and air vents
- Accessories, see pg. 59

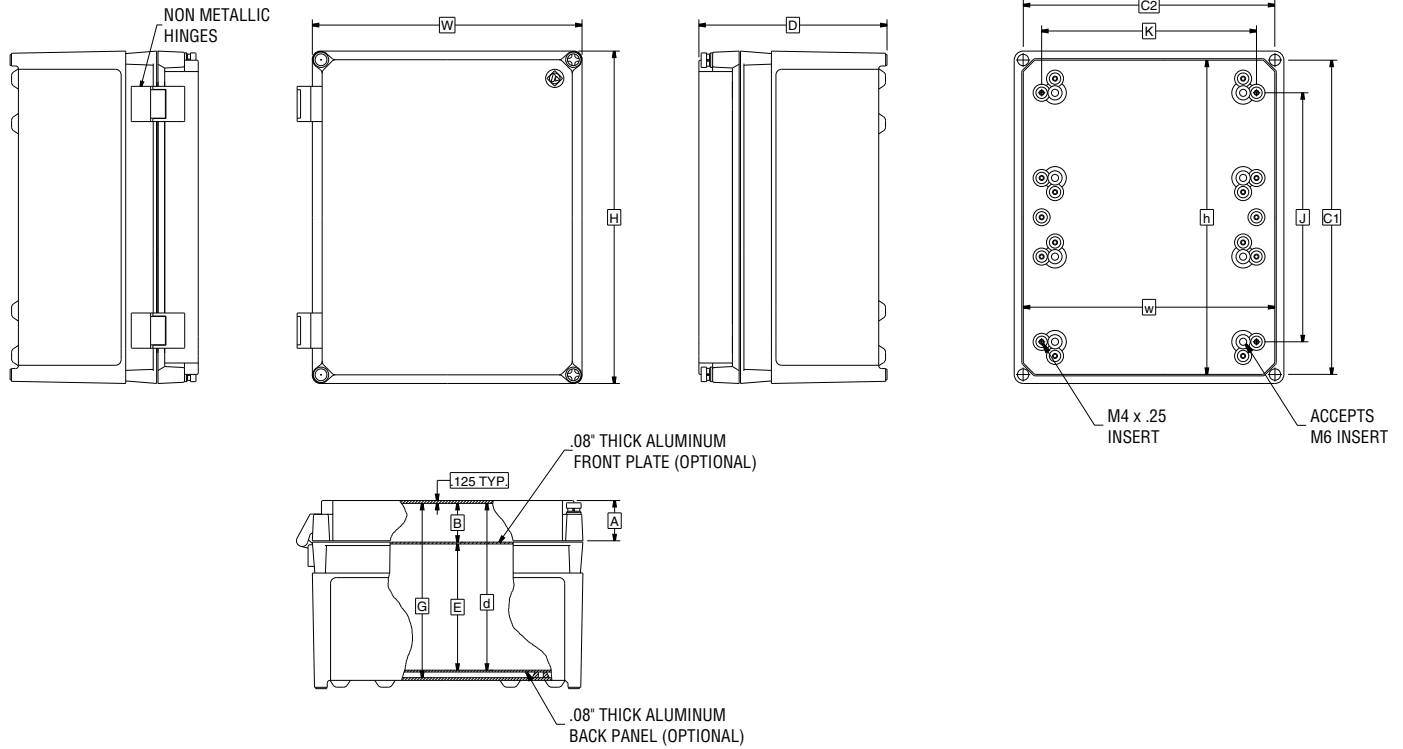
Non-metallic Hinges & Cover Screws with one Extension Collar

Part Numbers	Outside			Inside			Weight	Back Plate*	Back Plate Dimensions H x W	Hinged .080" Aluminum Frontplate	Panel Size
	H	W	D	h	w	d					
A1-706E1H (mm)	7.32 (186)	5.94 (151)	6.89 (175)	6.54 (166)	5.12 (130)	5.91 (150)	3.3 lb 1.49 kg	BP706	5.5 x 4.50 (140 x 114)	FPH706A	6.30 X 4.90
A31-1207E1H (mm)	11.88 (302)	7.32 (186)	8.27 (210)	11.06 (281)	6.54 (166)	7.23 (184)	4.7 lb 2.13 kg	BP1207	9 x 5.50 (229 x 140)	FPH1207A	10.80 X 6.30
A41-1212E1H (mm)	11.88 (302)	11.88 (302)	8.27 (210)	11.06 (281)	11.06 (281)	7.23 (184)	5.8 lb 2.63 kg	BP1212	10 x 9 (254 x 229)	FPH1212A	10.80 X 10.80
A71-1412E1H (mm)	14.62 (371)	11.88 (302)	8.27 (210)	13.80 (351)	11.06 (281)	7.23 (184)	7.0 lb 3.17 kg	BP1412	12 x 10 (305 x 254)	FPH1412A	13.60 X 10.80
A81-2212E1H (mm)	21.93 (557)	11.88 (302)	9.25 (235)	21.10 (536)	11.06 (281)	8.23 (209)	11.5 lb 5.21 kg	BP2212	19 x 12 (483 x 305)	FPH2212A	21.20 X 10.80
A61-2412E1H (mm)	23.78 (604)	11.88 (302)	9.25 (235)	22.80 (579)	11.06 (281)	8.23 (209)	12.3 lb 5.57 kg	BP2412	21 x 10 (533 x 254)	FPH2412A	22.60 X 10.80
A11-2414E1H (mm)	23.78 (604)	14.68 (375)	9.25 (235)	22.80 (579)	13.80 (351)	8.23 (209)	14.4 lb 6.52 kg	BP2414	21 x 12.75 (533 x 324)	FPH2414A	22.60 X 13.50
A12-2424E1H (mm)	23.78 (604)	23.78 (604)	9.25 (235)	22.80 (579)	22.80 (579)	8.23 (209)	21 lb 9.51 kg	BP2424	21.88 x 21.88 (556 x 556)	FPH2424A	22.60 X 22.60

*** COMPLETE YOUR PART NUMBER WITH ONE OF THE FOLLOWING:**

- A aluminum back panel (.080" material thickness)
- S painted steel back panel (.060" material thickness)
- N non-metallic back panel (.187" material thickness)

** (13 gauge) 1/4 turn screws available, specify FP025A



Part Numbers	Outside			Inside			Dimensions							
	H	W	D	h	w	d	A	B	C1	C2	E	G	J	K
A1-706E1H (mm)	7.32 (186)	5.94 (151)	6.89 (175)	6.54 (166)	5.12 (130)	5.91 (150)	1.77 45	1.65 42	6.54 166	5.15 131	4.12 105	6.30 160	3.74 95	3.54 90
A31-1207E1H (mm)	11.88 (302)	7.32 (186)	8.27 (210)	11.06 (281)	6.54 (166)	7.23 (184)	1.77 45	1.65 42	11.06 281	6.54 166	5.50 140	7.68 195	8.27 210	4.92 125
A41-1212E1H (mm)	11.88 (302)	11.88 (302)	8.27 (210)	11.06 (281)	11.06 (281)	7.23 (184)	1.77 45	1.65 42	11.06 281	11.06 281	5.50 140	7.68 195	9.45 240	8.27 210
A71-1412E1H (mm)	14.62 (371)	11.88 (302)	8.27 (210)	13.80 (351)	11.06 (281)	7.23 (184)	1.77 45	1.65 42	13.80 351	11.06 281	5.50 140	7.68 195	11.02 280	9.45 240
A81-2212E1H (mm)	21.93 (557)	11.88 (302)	9.25 (235)	21.10 (536)	11.06 (281)	8.23 (209)	1.77 45	1.65 42	21.10 536	11.06 281	5.50 140	8.70 221	18.35 466	9.45 240
A61-2412E1H (mm)	23.78 (604)	11.88 (302)	9.25 (235)	22.80 (579)	11.06 (281)	8.23 (209)	1.77 45	1.65 42	22.80 579	11.06 281	5.50 140	8.70 221	21.12 536	9.45 240
A11-2414E1H (mm)	23.78 (604)	14.68 (375)	9.25 (235)	22.80 (579)	13.80 (351)	8.23 (209)	1.77 45	1.65 42	22.80 579	13.80 351	6.54 166	8.70 221	20.12 511	12.20 310
A12-2424E1H (mm)	23.78 (604)	23.78 (604)	9.25 (235)	22.80 (579)	22.80 (579)	8.23 (209)	1.77 45	1.65 42	22.80 579	22.80 579	6.54 166	8.70 221	21.30 541	20.12 511

FRP NEMA rating 3, 3R, 4, 4X, 12 & 13 enclosures APO with Polyester Cover

Opaque gray cover with non-metallic hinges, stainless steel latches and one extension collar



FEATURES

- Bases and covers are made of hot-molded fiberglass reinforced polyester, dyed in mass
- Protection degree IP67-11 according to IEC 529 and CENELEC EN 60529
- APO series are UL-listed, per UL standard 508 and CSA-certified per STD C22.2 No. 94 type 3, 3R, 4, 4X, 12 and 13
- Temperature resistance -58°F to +302°F (-50°C to +150°C)
Momentary to +392°F (200°C)
- Halogen-Free

ACCESSORIES

- Versatile mounting options such as non-metallic and stainless steel mounting feet and pole kits
 - Coupling accessories such as coupling cover plates, coupling collars and coupling bridges
 - Locks, carrying handle and air vents
- Accessories, see pg. 59

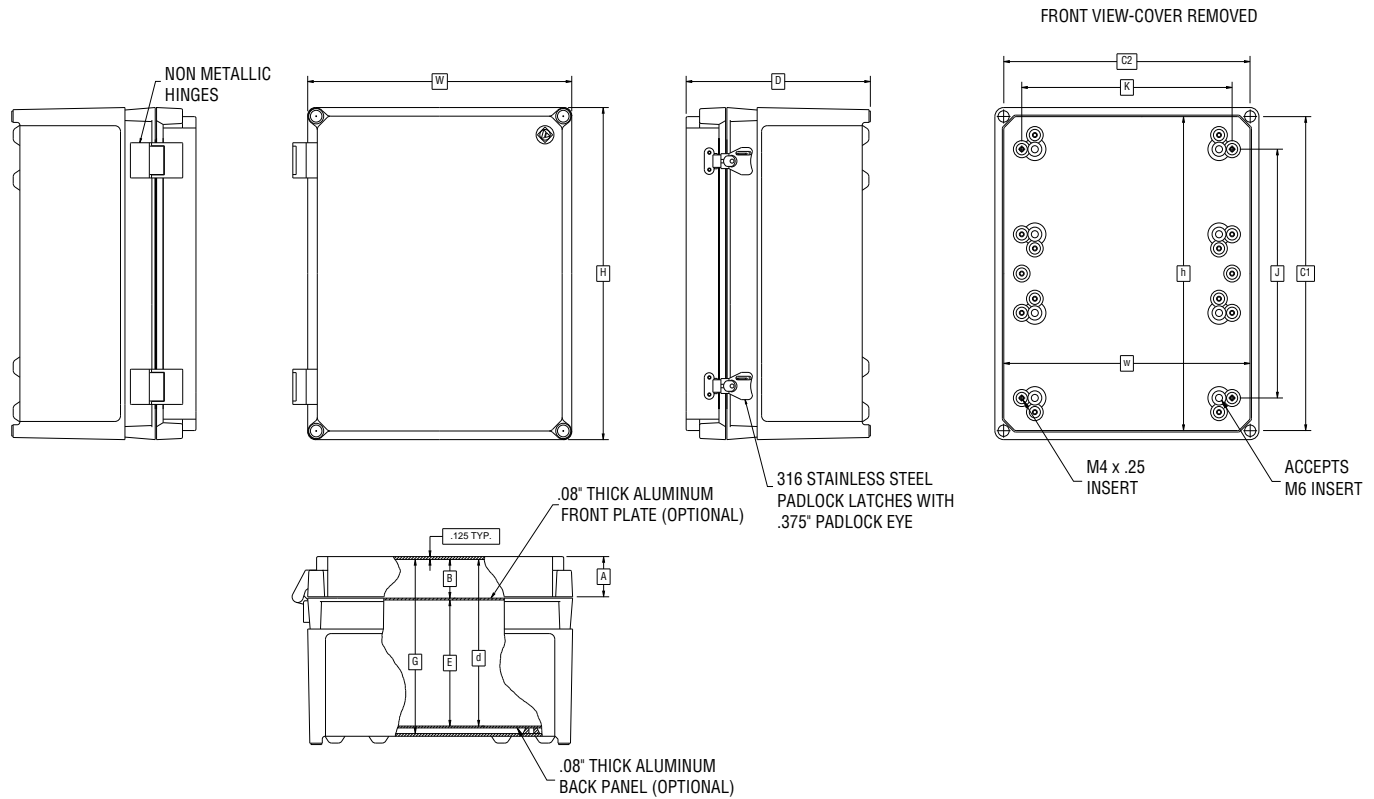
Non-metallic Hinges & SS Latches with one Extension Collar

Part Numbers	Outside			Inside			Weight	Back Plate*	Back Plate Dimensions H x W	Hinged .080" Aluminum Frontplate	Panel Size
	H	W	D	h	w	d					
A1-706E1HPL1 (mm)	7.32 (186)	5.94 (151)	6.89 (175)	6.54 (166)	5.12 (130)	5.91 (150)	3.3 lb 1.49 kg	BP706	5.5 x 4.50 (140 x 114)	FPH706A	6.30 X 4.90
A31-1207E1HPL2 (mm)	11.88 (302)	7.32 (186)	8.27 (210)	11.06 (281)	6.54 (166)	7.23 (184)	4.7 lb 2.13 kg	BP1207	9 x 5.50 (229 x 140)	FPH1207A	10.80 X 6.30
A41-1212E1HPL2 (mm)	11.88 (302)	11.88 (302)	8.27 (210)	11.06 (281)	11.06 (281)	7.23 (184)	5.8 lb 2.63 kg	BP1212	10 x 9 (254 x 229)	FPH1212A	10.80 X 10.80
A71-1412E1HPL2 (mm)	14.62 (371)	11.88 (302)	8.27 (210)	13.80 (351)	11.06 (281)	7.23 (184)	7.0 lb 3.17 kg	BP1412	12 x 10 (305 x 254)	FPH1412A	13.60 X 10.80
A81-2212E1HPL2 (mm)	21.93 (557)	11.88 (302)	9.25 (235)	21.10 (536)	11.06 (281)	8.23 (209)	11.5 lb 5.21 kg	BP2212	19 x 12 (483 x 305)	FPH2212A	21.20 X 10.80
A61-2412E1HPL2 (mm)	23.78 (604)	11.88 (302)	9.25 (235)	22.80 (579)	11.06 (281)	8.23 (209)	12.3 lb 5.57 kg	BP2412	21 x 10 (533 x 254)	FPH2412A	22.60 X 10.80
A11-2414E1HPL2 (mm)	23.78 (604)	14.68 (375)	9.25 (235)	22.80 (579)	13.80 (351)	8.23 (209)	14.4 lb 6.52 kg	BP2414	21 x 12.75 (533 x 324)	FPH2414A	22.60 X 13.50
A12-2424E1HPL4 (mm)	23.78 (604)	23.78 (604)	9.25 (235)	22.80 (579)	22.80 (579)	8.23 (209)	21 lb 9.51 kg	BP2424	21.88 x 21.88 (556 x 556)	FPH2424A	22.60 X 22.60

* **COMPLETE YOUR PART NUMBER WITH ONE OF THE FOLLOWING:**

- A aluminum back panel (.080" material thickness)
- S painted steel back panel (.060" material thickness)
- N non-metallic back panel (.187" material thickness)

** (13 gauge) 1/4 turn screws available, specify FP025A



Part Numbers	Outside			Inside			Dimensions							
	H	W	D	h	w	d	A	B	C1	C2	E	G	J	K
A1-706E1HPL1 (mm)	7.32 (186)	5.94 (151)	6.89 (175)	6.54 (166)	5.12 (130)	5.91 (150)	1.77 45	1.65 42	6.54 166	5.15 131	4.12 105	6.30 160	3.74 95	3.54 90
A31-1207E1HPL2 (mm)	11.88 (302)	7.32 (186)	8.27 (210)	11.06 (281)	6.54 (166)	7.23 (184)	1.77 45	1.65 42	11.06 281	6.54 166	5.50 140	7.68 195	8.27 210	4.92 125
A41-1212E1HPL2 (mm)	11.88 (302)	11.88 (302)	8.27 (210)	11.06 (281)	11.06 (281)	7.23 (184)	1.77 45	1.65 42	11.06 281	11.06 281	5.50 140	7.68 195	9.45 240	8.27 210
A71-1412E1HPL2 (mm)	14.62 (371)	11.88 (302)	8.27 (210)	13.80 (351)	11.06 (281)	7.23 (184)	1.77 45	1.65 42	13.80 351	11.06 281	5.50 140	7.68 195	11.02 280	9.45 240
A81-2212E1HPL2 (mm)	21.93 (557)	11.88 (302)	9.25 (235)	21.10 (536)	11.06 (281)	8.23 (209)	1.77 45	1.65 42	21.10 536	11.06 281	5.50 140	8.70 221	18.35 466	9.45 240
A61-2412E1HPL2 (mm)	23.78 (604)	11.88 (302)	9.25 (235)	22.80 (579)	11.06 (281)	8.23 (209)	1.77 45	1.65 42	22.80 579	11.06 281	5.50 140	8.70 221	21.12 536	9.45 240
A11-2414E1HPL2 (mm)	23.78 (604)	14.68 (375)	9.25 (235)	22.80 (579)	13.80 (351)	8.23 (209)	1.77 45	1.65 42	22.80 579	13.80 351	6.54 166	8.70 221	20.12 511	12.20 310
A12-2424E1HPL4 (mm)	23.78 (604)	23.78 (604)	9.25 (235)	22.80 (579)	22.80 (579)	8.23 (209)	1.77 45	1.65 42	22.80 579	22.80 579	6.54 166	8.70 221	21.30 541	20.12 511

FRP NEMA rating 3, 3R, 4, 4X, 12 & 13 enclosures APO with Clear Polycarbonate Cover (CT)

Transparent cover with cover screws



Clear Cover with non-metallic Cover Screws

FEATURES

- Bases are made of gray hot-molded fiberglass reinforced polyester, dyed in mass
- The cover is made of transparent polycarbonate
- Protection degree IP66-11 according to IEC 529 and CENELEC EN 60529
- APO series are UL-listed, per UL Standard 508 and CSA-certified per STD C22.2 No. 94 type 3, 3R, 4, 4X, 12 and 13
- Temperature resistance -58°F to +248°F (-50°C to +120°C)
- Halogen-Free

ACCESSORIES

- Versatile mounting options such as non-metallic and stainless steel mounting feet and pole mounting kits
- Coupling accessories such as coupling cover plates, coupling collars and coupling bridges
- Locks, carrying handle and air vents

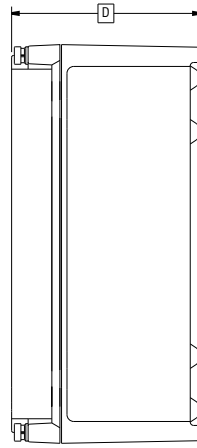
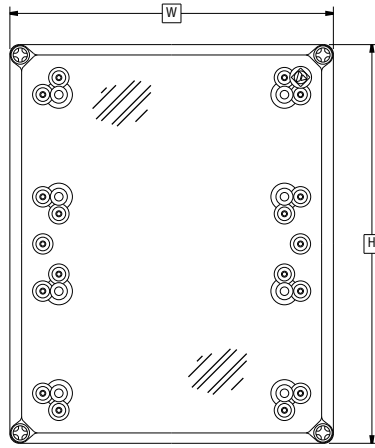
Accessories, see pg. 59

Part Numbers	Outside			Inside			Weight	Back Plate*	Back Plate Dimensions H x W	Hinged .080" Aluminum Frontplate	Panel Size
	H	W	D	h	w	d					
A1-706CT (mm)	7.32 (186)	5.94 (151)	5.50 (140)	6.54 (166)	5.12 (130)	4.52 (115)	1.87 lb 1.0 kg	BP706	5.5 x 4.50 (140 x 114)	FPH706A	6.30 X 4.90
A31-1207CT (mm)	11.88 (302)	7.32 (186)	6.88 (175)	11.06 (281)	6.54 (166)	5.85 (149)	3.5 lb 1.6 kg	BP1207	9 x 5.50 (229 x 140)	FPH1207A	10.80 X 6.30
A41-1212CT (mm)	11.88 (302)	11.88 (302)	6.88 (175)	11.06 (281)	11.06 (281)	5.85 (149)	4.6 lb 2.1 kg	BP1212	10 x 9 (254 x 229)	FPH1212A	10.80 X 10.80
A71-1412CT (mm)	14.62 (371)	11.88 (302)	6.88 (175)	13.80 (351)	11.06 (281)	5.85 (149)	5.5 lb 2.5 kg	BP1412	12 x 10 (305 x 254)	FPH1412A	13.60 X 10.80
A51-1912CT (mm)	19.20 (488)	11.88 (302)	8.27 (210)	18.30 (467)	11.06 (281)	7.24 (194)	7.5 lb 3.4 kg	BP1912	17 x 10.50 (432 x 267)	FPH1912A	18.10 X 10.80
A81-2212CT (mm)	21.93 (557)	11.88 (302)	8.27 (210)	21.10 (536)	11.06 (281)	7.24 (194)	8.8 lb 4.0 kg	BP2212	19 x 12 (483 x 305)	FPH2212A	21.20 X 10.80
A61-2412CT (mm)	23.78 (604)	11.88 (302)	8.27 (210)	22.80 (579)	11.06 (281)	7.24 (194)	9.0 lb 4.1 kg	BP2412	21 x 10 (533 x 254)	FPH2412A	22.60 X 10.80
A11-2414CT (mm)	23.78 (604)	14.68 (375)	8.27 (210)	22.80 (579)	13.80 (351)	7.24 (194)	10.8 lb 4.9 kg	BP2414	21 x 12.75 (533 x 324)	FPH2414A	22.60 X 13.50
A12-2424CT (mm)	23.78 (604)	23.78 (604)	8.27 (210)	22.80 (579)	22.80 (579)	7.24 (194)	16.8 lb 7.6 kg	BP2424	21.88 x 21.88 (556 x 556)	FPH2424A	22.60 X 22.60

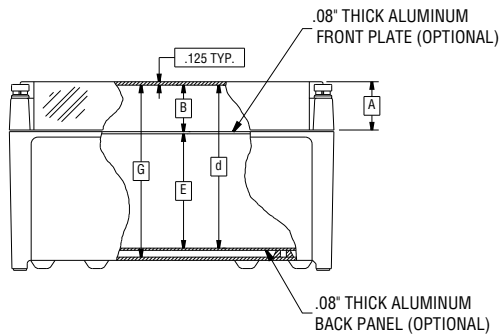
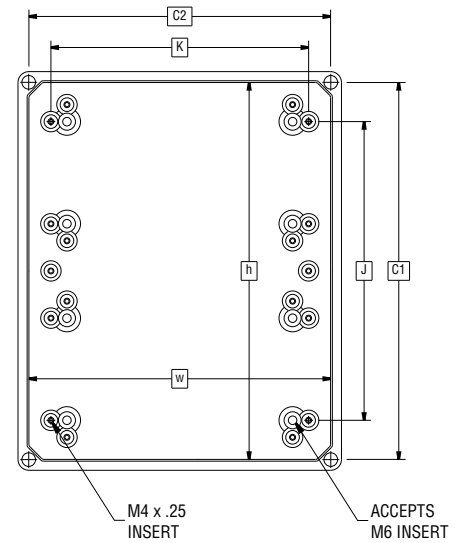
*** COMPLETE YOUR PART NUMBER WITH ONE OF THE FOLLOWING:**

- A aluminum back panel (.080" material thickness)
- S painted steel back panel (.060" material thickness)
- N non-metallic back panel (.187" material thickness)

** (13 gauge) 1/4 turn screws available, specify FP025A



FRONT VIEW-COVER REMOVED



Part Numbers	Outside			Inside			Dimensions							
	H	W	D	h	w	d	A	B	C1	C2	E	G	J	K
A1-706CT (mm)	7.32 (186)	5.94 (151)	5.50 (140)	6.54 (166)	5.12 (130)	4.52 (115)	1.77 45	1.65 42	6.54 166	5.15 131	2.79 71	4.91 125	3.74 95	3.54 90
A31-1207CT (mm)	11.88 (302)	7.32 (186)	6.88 (175)	11.06 (281)	6.54 (166)	5.85 (149)	1.77 45	1.65 42	11.06 281	6.54 166	4.12 105	6.30 160	8.27 210	4.92 125
A41-1212CT (mm)	11.88 (302)	11.88 (302)	6.88 (175)	11.06 (281)	11.06 (281)	5.85 (149)	1.77 45	1.65 42	11.06 281	11.06 281	4.12 105	6.30 160	9.45 240	8.27 210
A71-1412CT (mm)	14.62 (371)	11.88 (302)	6.88 (175)	13.80 (351)	11.06 (281)	5.85 (149)	1.77 45	1.65 42	13.80 351	11.06 281	4.12 105	6.30 160	11.02 280	9.45 240
A51-1912CT (mm)	19.20 (488)	11.88 (302)	8.27 (210)	18.30 (467)	11.06 (281)	7.24 (194)	3.15 80	3.05 78	18.30 465	11.06 281	4.12 105	7.68 195	15.59 396	9.45 240
A81-2212CT (mm)	21.93 (557)	11.88 (302)	8.27 (210)	21.10 (536)	11.06 (281)	7.24 (194)	3.15 80	3.05 78	21.10 536	11.06 281	4.12 105	7.68 195	18.35 466	9.45 240
A61-2412CT (mm)	23.78 (604)	11.88 (302)	8.27 (210)	22.80 (579)	11.06 (281)	7.24 (194)	3.15 80	3.05 78	22.80 579	11.06 281	4.12 105	7.68 195	21.12 536	9.45 240
A11-2414CT (mm)	23.78 (604)	14.68 (375)	8.27 (210)	22.80 (579)	13.80 (351)	7.24 (194)	3.15 80	3.05 78	22.80 579	13.80 351	4.12 105	7.68 195	20.12 511	12.20 310
A12-2424CT (mm)	23.78 (604)	23.78 (604)	8.27 (210)	22.80 (579)	22.80 (579)	7.24 (194)	3.15 80	3.05 78	22.80 579	22.80 579	4.12 105	7.68 195	21.30 541	20.12 511

FRP NEMA rating 3, 3R, 4, 4X, 12 & 13 enclosures APO with Clear Polycarbonate Cover (CT)

Transparent cover with non-metallic hinges and cover screws



Clear Cover with Non-metallic Hinges & Cover Screws

FEATURES

- Bases are made of gray hot-molded fiberglass reinforced polyester, dyed in mass
- The cover is made of transparent polycarbonate
- Protection degree IP66-11 according to IEC 529 and CENELEC EN 60529
- APO series are UL-listed, per UL Standard 508 and CSA-certified per STD C22.2 No. 94 type 3, 3R, 4, 4X, 12 and 13
- Temperature resistance -58°F to +248°F (-50°C to +120°C)
- Halogen-Free

ACCESSORIES

- Versatile mounting options such as non-metallic and stainless steel mounting feet and pole mounting kits
- Coupling accessories such as coupling cover plates, coupling collars and coupling bridges
- Locks, carrying handle and air vents

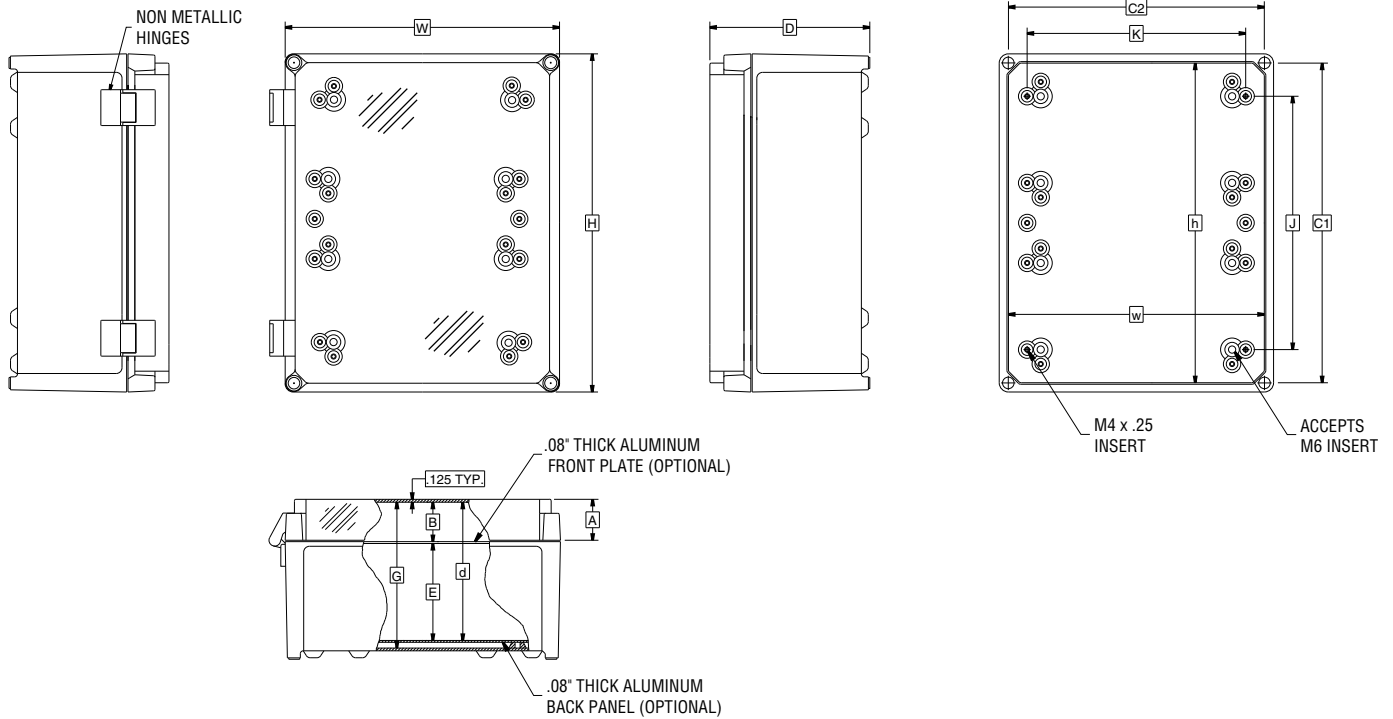
Accessories, see pg. 59

Part Numbers	Outside			Inside			Weight	Back Plate*	Back Plate Dimensions H x W	Hinged .080" Aluminum Frontplate	Panel Size
	H	W	D	h	w	d					
A1-706CTH (mm)	7.32 (186)	5.94 (151)	5.50 (140)	6.54 (166)	5.12 (130)	4.52 (115)	1.87 lb 1.0 kg	BP706	5.5 x 4.50 (140 x 114)	FPH706A	6.30 X 4.90
A31-1207CTH (mm)	11.88 (302)	7.32 (186)	6.88 (175)	11.06 (281)	6.54 (166)	5.85 (149)	3.5 lb 1.6 kg	BP1207	9 x 5.50 (229 x 140)	FPH1207A	10.80 X 6.30
A41-1212CTH (mm)	11.88 (302)	11.88 (302)	6.88 (175)	11.06 (281)	11.06 (281)	5.85 (149)	4.6 lb 2.1 kg	BP1212	10 x 9 (254 x 229)	FPH1212A	10.80 X 10.80
A71-1412CTH (mm)	14.62 (371)	11.88 (302)	6.88 (175)	13.80 (351)	11.06 (281)	5.85 (149)	5.5 lb 2.5 kg	BP1412	12 x 10 (305 x 254)	FPH1412A	13.60 X 10.80
A51-1912CTH (mm)	19.20 (488)	11.88 (302)	8.27 (210)	18.30 (467)	11.06 (281)	7.24 (194)	7.5 lb 3.4 kg	BP1912	17 x 10.50 (432 x 267)	FPH1912A	18.10 X 10.80
A81-2212CTH (mm)	21.93 (557)	11.88 (302)	8.27 (210)	21.10 (536)	11.06 (281)	7.24 (194)	8.8 lb 4.0 kg	BP2212	19 x 12 (483 x 305)	FPH2212A	21.20 X 10.80
A61-2412CTH (mm)	23.78 (604)	11.88 (302)	8.27 (210)	22.80 (579)	11.06 (281)	7.24 (194)	9.0 lb 4.1 kg	BP2412	21 x 10 (533 x 254)	FPH2412A	22.60 X 10.80
A11-2414CTH (mm)	23.78 (604)	14.68 (375)	8.27 (210)	22.80 (579)	13.80 (351)	7.24 (194)	10.8 lb 4.9 kg	BP2414	21 x 12.75 (533 x 324)	FPH2414A	22.60 X 13.50
A12-2424CTH (mm)	23.78 (604)	23.78 (604)	8.27 (210)	22.80 (579)	22.80 (579)	7.24 (194)	16.8 lb 7.6 kg	BP2424	21.88 x 21.88 (556 x 556)	FPH2424A	22.60 X 22.60

* COMPLETE YOUR PART NUMBER WITH ONE OF THE FOLLOWING:

- A aluminum back panel (.080" material thickness)
- S painted steel back panel (.060" material thickness)
- N non-metallic back panel (.187" material thickness)

** (13 gauge) 1/4 turn screws available, specify FP025A



Part Numbers	Outside			Inside			Dimensions							
	H	W	D	h	w	d	A	B	C1	C2	E	G	J	K
A1-706CTH (mm)	7.32 (186)	5.94 (151)	5.50 (140)	6.54 (166)	5.12 (130)	4.52 (115)	1.77 45	1.65 42	6.54 166	5.15 131	2.79 71	4.91 125	3.74 95	3.54 90
A31-1207CTH (mm)	11.88 (302)	7.32 (186)	6.88 (175)	11.06 (281)	6.54 (166)	5.85 (149)	1.77 45	1.65 42	11.06 281	6.54 166	4.12 105	6.30 160	8.27 210	4.92 125
A41-1212CTH (mm)	11.88 (302)	11.88 (302)	6.88 (175)	11.06 (281)	11.06 (281)	5.85 (149)	1.77 45	1.65 42	11.06 281	11.06 281	4.12 105	6.30 160	9.45 240	8.27 210
A71-1412CTH (mm)	14.62 (371)	11.88 (302)	6.88 (175)	13.80 (351)	11.06 (281)	5.85 (149)	1.77 45	1.65 42	13.80 351	11.06 281	4.12 105	6.30 160	11.02 280	9.45 240
A51-1912CTH (mm)	19.20 (488)	11.88 (302)	8.27 (210)	18.30 (467)	11.06 (281)	7.24 (194)	3.15 80	3.05 78	18.30 465	11.06 281	4.12 105	7.68 195	15.59 396	9.45 240
A81-2212CTH (mm)	21.93 (557)	11.88 (302)	8.27 (210)	21.10 (536)	11.06 (281)	7.24 (194)	3.15 80	3.05 78	21.10 536	11.06 281	4.12 105	7.68 195	18.35 466	9.45 240
A61-2412CTH (mm)	23.78 (604)	11.88 (302)	8.27 (210)	22.80 (579)	11.06 (281)	7.24 (194)	3.15 80	3.05 78	22.80 579	11.06 281	4.12 105	7.68 195	21.12 536	9.45 240
A11-2414CTH (mm)	23.78 (604)	14.68 (375)	8.27 (210)	22.80 (579)	13.80 (351)	7.24 (194)	3.15 80	3.05 78	22.80 579	13.80 351	4.12 105	7.68 195	20.12 511	12.20 310
A12-2424CTH (mm)	23.78 (604)	23.78 (604)	8.27 (210)	22.80 (579)	22.80 (579)	7.24 (194)	3.15 80	3.05 78	22.80 579	22.80 579	4.12 105	7.68 195	21.30 541	20.12 511

FRP NEMA rating 3, 3R, 4, 4X, 12 & 13 enclosures APO with Clear Polycarbonate Cover (CT)

Transparent cover with non-metallic hinges and stainless steel latches



Clear Cover with Non-metallic Hinges & SS Latches

FEATURES

- Bases are made of gray hot-molded fiberglass reinforced polyester, dyed in mass
- The cover is made of transparent polycarbonate
- Protection degree IP66-11 according to IEC 529 and CENELEC EN 60529
- APO series are UL-listed, per UL Standard 508 and CSA-certified per STD C22.2 No. 94 type 3, 3R, 4, 4X, 12 and 13
- Temperature resistance -58°F to +248°F (-50°C to +120°C)
- Halogen-Free

ACCESSORIES

- Versatile mounting options such as non-metallic and stainless steel mounting feet and pole mounting kits
- Coupling accessories such as coupling cover plates, coupling collars and coupling bridges
- Locks, carrying handle and air vents

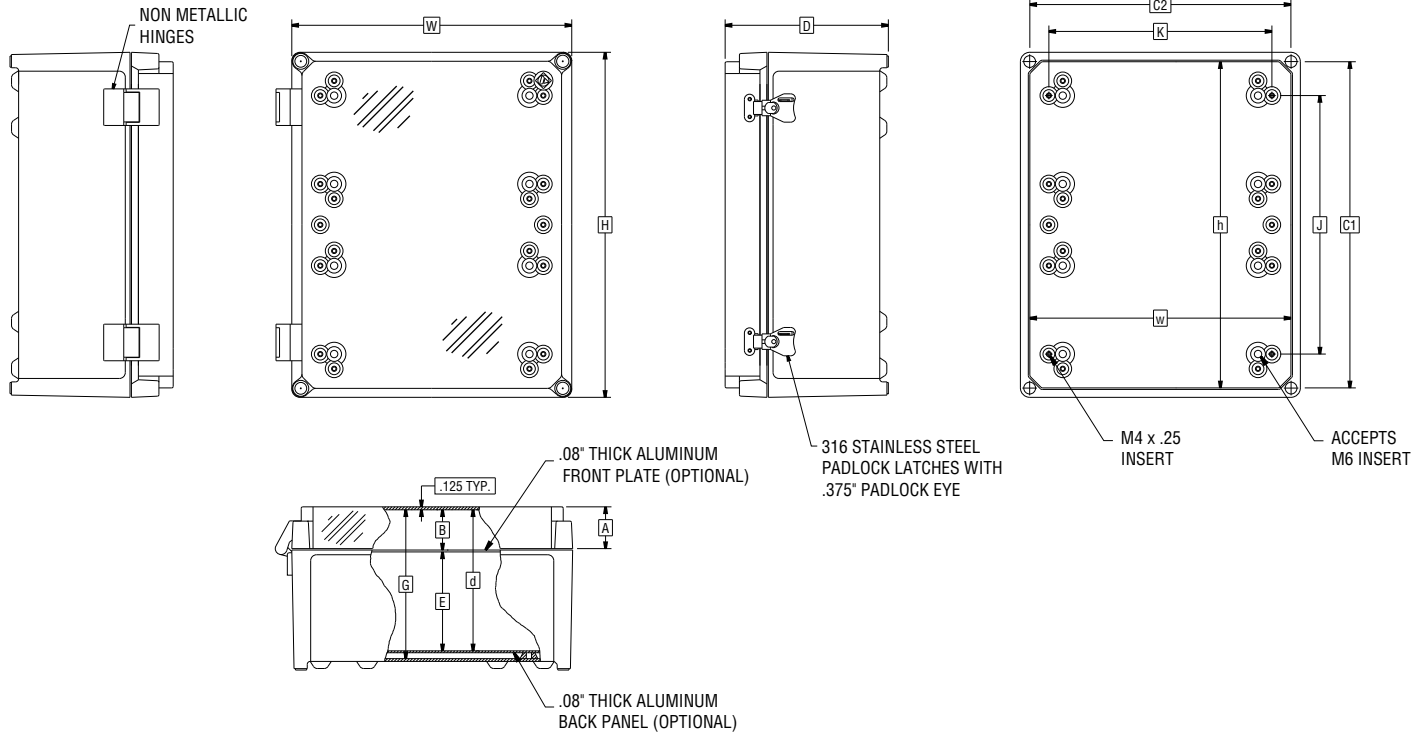
Accessories, see pg. 59

Part Numbers	Outside			Inside			Weight	Back Plate*	Back Plate Dimensions H x W	Hinged .080" Aluminum Frontplate	Panel Size
	H	W	D	h	w	d					
A1-706CTHPL1 (mm)	7.32 (186)	5.94 (151)	5.50 (140)	6.54 (166)	5.12 (130)	4.52 (115)	1.87 lb 1.0 kg	BP706	5.5 x 4.50 (140 x 114)	FPH706A	6.30 X 4.90
A31-1207CTHPL2 (mm)	11.88 (302)	7.32 (186)	6.88 (175)	11.06 (281)	6.54 (166)	5.85 (149)	3.5 lb 1.6 kg	BP1207	9 x 5.50 (229 x 140)	FPH1207A	10.80 X 6.30
A41-1212CTHPL2 (mm)	11.88 (302)	11.88 (302)	6.88 (175)	11.06 (281)	11.06 (281)	5.85 (149)	4.6 lb 2.1 kg	BP1212	10 x 9 (254 x 229)	FPH1212A	10.80 X 10.80
A71-1412CTHPL2 (mm)	14.62 (371)	11.88 (302)	6.88 (175)	13.80 (351)	11.06 (281)	5.85 (149)	5.5 lb 2.5 kg	BP1412	12 x 10 (305 x 254)	FPH1412A	13.60 X 10.80
A51-1912CTHPL2 (mm)	19.20 (488)	11.88 (302)	8.27 (210)	18.30 (467)	11.06 (281)	7.24 (194)	7.5 lb 3.4 kg	BP1912	17 x 10.50 (432 x 267)	FPH1912A	18.10 X 10.80
A81-2212CTHPL2 (mm)	21.93 (557)	11.88 (302)	8.27 (210)	21.10 (536)	11.06 (281)	7.24 (194)	8.8 lb 4.0 kg	BP2212	19 x 12 (483 x 305)	FPH2212A	21.20 X 10.80
A61-2412CTHPL2 (mm)	23.78 (604)	11.88 (302)	8.27 (210)	22.80 (579)	11.06 (281)	7.24 (194)	9.0 lb 4.1 kg	BP2412	21 x 10 (533 x 254)	FPH2412A	22.60 X 10.80
A11-2414CTHPL2 (mm)	23.78 (604)	14.68 (375)	8.27 (210)	22.80 (579)	13.80 (351)	7.24 (194)	10.8 lb 4.9 kg	BP2414	21 x 12.75 (533 x 324)	FPH2414A	22.60 X 13.50
A12-2424CTHPL4 (mm)	23.78 (604)	23.78 (604)	8.27 (210)	22.80 (579)	22.80 (579)	7.24 (194)	16.8 lb 7.6 kg	BP2424	21.88 x 21.88 (556 x 556)	FPH2424A	22.60 X 22.60

*** COMPLETE YOUR PART NUMBER WITH ONE OF THE FOLLOWING:**

- A aluminum back panel (.080" material thickness)
- S painted steel back panel (.060" material thickness)
- N non-metallic back panel (.187" material thickness)

** (13 gauge) 1/4 turn screws available, specify FP025A



Part Numbers	Outside			Inside			Dimensions							
	H	W	D	h	w	d	A	B	C1	C2	E	G	J	K
A1-706CTHPL1 (mm)	7.32 (186)	5.94 (151)	5.50 (140)	6.54 (166)	5.12 (130)	4.52 (115)	1.77 45	1.65 42	6.54 166	5.15 131	2.79 71	4.91 125	3.74 95	3.54 90
A31-1207CTHPL2 (mm)	11.88 (302)	7.32 (186)	6.88 (175)	11.06 (281)	6.54 (166)	5.85 (149)	1.77 45	1.65 42	11.06 281	6.54 166	4.12 105	6.30 160	8.27 210	4.92 125
A41-1212CTHPL2 (mm)	11.88 (302)	11.88 (302)	6.88 (175)	11.06 (281)	11.06 (281)	5.85 (149)	1.77 45	1.65 42	11.06 281	11.06 281	4.12 105	6.30 160	9.45 240	8.27 210
A71-1412CTHPL2 (mm)	14.62 (371)	11.88 (302)	6.88 (175)	13.80 (351)	11.06 (281)	5.85 (149)	1.77 45	1.65 42	13.80 351	11.06 281	4.12 105	6.30 160	11.02 280	9.45 240
A51-1912CTHPL2 (mm)	19.20 (488)	11.88 (302)	8.27 (210)	18.30 (467)	11.06 (281)	7.24 (194)	3.15 80	3.05 78	18.30 465	11.06 281	4.12 105	7.68 195	15.59 396	9.45 240
A81-2212CTHPL2 (mm)	21.93 (557)	11.88 (302)	8.27 (210)	21.10 (536)	11.06 (281)	7.24 (194)	3.15 80	3.05 78	21.10 536	11.06 281	4.12 105	7.68 195	18.35 466	9.45 240
A61-2412CTHPL2 (mm)	23.78 (604)	11.88 (302)	8.27 (210)	22.80 (579)	11.06 (281)	7.24 (194)	3.15 80	3.05 78	22.80 579	11.06 281	4.12 105	7.68 195	21.12 536	9.45 240
A11-2414CTHPL2 (mm)	23.78 (604)	14.68 (375)	8.27 (210)	22.80 (579)	13.80 (351)	7.24 (194)	3.15 80	3.05 78	22.80 579	13.80 351	4.12 105	7.68 195	20.12 511	12.20 310
A12-2424CTHPL4 (mm)	23.78 (604)	23.78 (604)	8.27 (210)	22.80 (579)	22.80 (579)	7.24 (194)	3.15 80	3.05 78	22.80 579	22.80 579	4.12 105	7.68 195	21.30 541	20.12 511

FRP NEMA rating 3, 3R, 4, 4X, 12 & 13 enclosures APO with Clear Polycarbonate Cover (CT)

Transparent cover with cover screws and one extension collar



**Clear Cover with Cover Screws
& one Extension Collar**

FEATURES

- Bases are made of gray hot-molded fiberglass reinforced polyester, dyed in mass
- The cover is made of transparent polycarbonate
- Protection degree IP66-11 according to IEC 529 and CENELEC EN 60529
- APO series are UL-listed, per UL Standard 508 and CSA-certified per STD C22.2 No. 94 type 3, 3R, 4, 4X, 12 and 13
- Temperature resistance -58°F to +248°F (-50°C to +120°C)
- Halogen-Free

ACCESSORIES

- Versatile mounting options such as non-metallic and stainless steel mounting feet and pole mounting kits
- Coupling accessories such as coupling cover plates, coupling collars and coupling bridges
- Locks, carrying handle and air vents

Accessories, see pg. 59

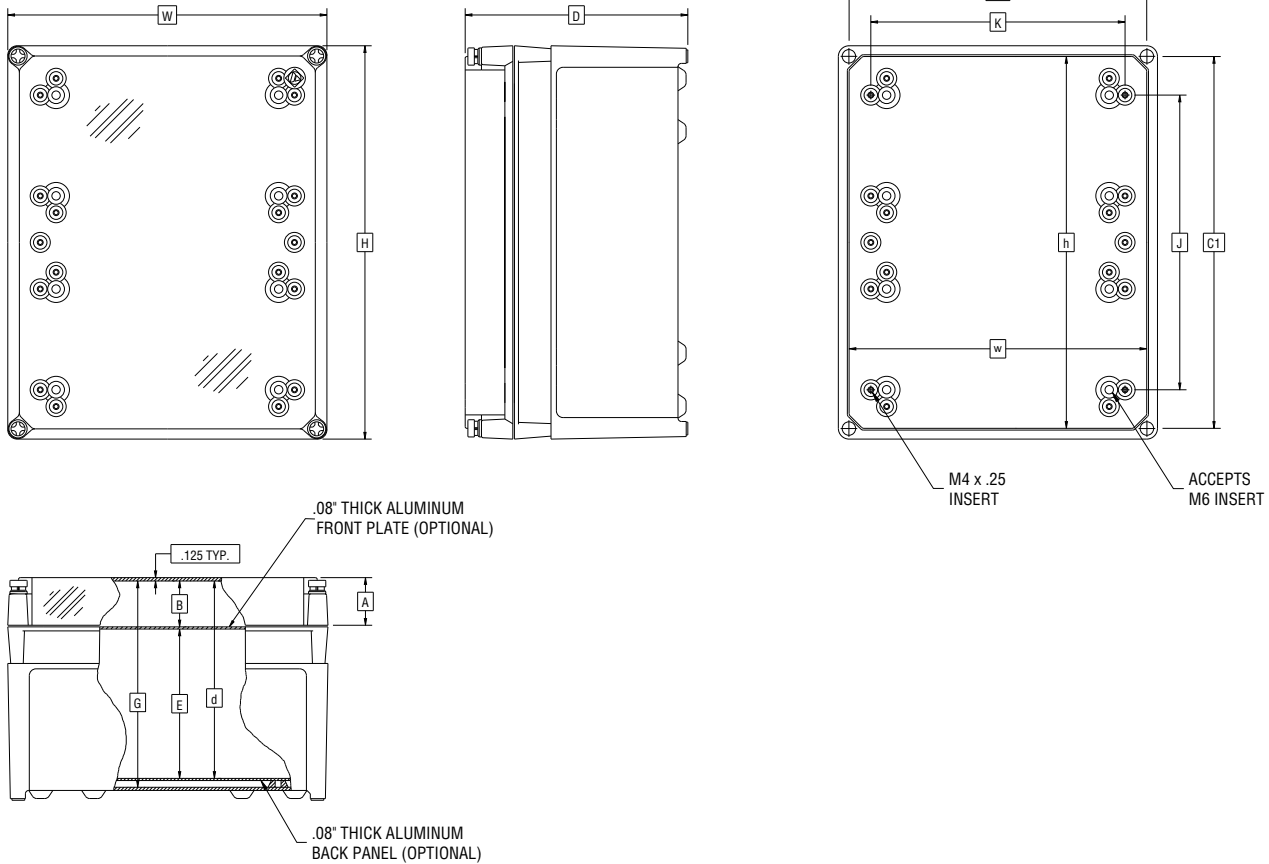
Part Numbers	Outside			Inside			Weight	Back Plate*	Back Plate Dimensions H x W	Hinged .080" Aluminum Frontplate	Panel Size
	H	W	D	h	w	d					
A1-706E1CT (mm)	7.32 (186)	5.94 (151)	6.88 (175)	6.54 (166)	5.12 (130)	5.90 (150)	2.78 lb 1.3 kg	BP706	5.5 x 4.50 (140 x 114)	FPH706A	6.30 X 4.90
A31-1207E1CT (mm)	11.88 (302)	7.32 (186)	8.26 (210)	11.06 (281)	6.54 (166)	7.28 (185)	4.17 lb 1.9 kg	BP1207	9 x 5.50 (229 x 140)	FPH1207A	10.80 X 6.30
A41-1212E1CT (mm)	11.88 (302)	11.88 (302)	8.26 (210)	11.06 (281)	11.06 (281)	7.28 (185)	5.36 lb 2.4 kg	BP1212	10 x 9 (254 x 229)	FPH1212A	10.80 X 10.80
A71-1412E1CT (mm)	14.62 (371)	11.88 (302)	8.26 (210)	13.80 (351)	11.06 (281)	7.28 (185)	6.46 lb 2.9 kg	BP1412	12 x 10 (305 x 254)	FPH1412A	13.60 X 10.80
A81-2212E1CT (mm)	21.93 (557)	11.88 (302)	10.63 (270)	21.10 (536)	11.06 (281)	9.65 (245)	10.83 lb 4.9 kg	BP2212	19 x 12 (483 x 305)	FPH2212A	21.20 X 10.80
A61-2412E1CT (mm)	23.78 (604)	11.88 (302)	10.63 (270)	22.80 (579)	11.06 (281)	9.65 (245)	11.32 lb 5.1 kg	BP2412	21 x 10 (533 x 254)	FPH2412A	22.60 X 10.80
A11-2414E1CT (mm)	23.78 (604)	14.68 (375)	10.63 (270)	22.80 (579)	13.80 (351)	9.65 (245)	13.39 lb 6.1 kg	BP2414	21 x 12.75 (533 x 324)	FPH2414A	22.60 X 13.50
A12-2424E1CT (mm)	23.78 (604)	23.78 (604)	10.63 (270)	22.80 (579)	22.80 (579)	9.65 (245)	20.24 lb 9.2 kg	BP2424	21.88 x 21.88 (556 x 556)	FPH2424A	22.60 X 22.60

*COMPLETE YOUR PART NUMBER WITH ONE OF THE FOLLOWING:

- A aluminum back panel (.080" material thickness)
- S painted steel back panel (.060" material thickness)
- N non-metallic back panel (.187" material thickness)

** (13 gauge) 1/4 turn screws available, specify FP025A

FRONT VIEW-COVER REMOVED



Part Numbers	Outside			Inside			Dimensions							
	H	W	D	h	w	d	A	B	C1	C2	E	G	J	K
A1-706E1CT (mm)	7.32 (186)	5.94 (151)	6.88 (175)	6.54 (166)	5.12 (130)	5.90 (150)	1.77 45	1.65 42	6.54 166	5.15 131	4.12 105	6.30 160	3.74 95	3.54 90
A31-1207E1CT (mm)	11.88 (302)	7.32 (186)	8.26 (210)	11.06 (281)	6.54 (166)	7.28 (185)	1.77 45	1.65 42	11.06 281	6.54 166	5.50 140	7.68 195	8.27 210	4.92 125
A41-1212E1CT (mm)	11.88 (302)	11.88 (302)	8.26 (210)	11.06 (281)	11.06 (281)	7.28 (185)	1.77 45	1.65 42	11.06 281	11.06 281	5.50 140	7.68 195	9.45 240	8.27 210
A71-1412E1CT (mm)	14.62 (371)	11.88 (302)	8.26 (210)	13.80 (351)	11.06 (281)	7.28 (185)	1.77 45	1.65 42	13.80 351	11.06 281	5.50 140	7.68 195	11.02 280	9.45 240
A81-2212E1CT (mm)	21.93 (557)	11.88 (302)	10.63 (270)	21.10 (536)	11.06 (281)	9.65 (245)	3.15 80	3.05 78	21.10 536	11.06 281	5.50 140	8.70 221	18.35 466	9.45 240
A61-2412E1CT (mm)	23.78 (604)	11.88 (302)	10.63 (270)	22.80 (579)	11.06 (281)	9.65 (245)	3.15 80	3.05 78	22.80 579	11.06 281	5.50 140	8.70 221	21.12 536	9.45 240
A11-2414E1CT (mm)	23.78 (604)	14.68 (375)	10.63 (270)	22.80 (579)	13.80 (351)	9.65 (245)	3.15 80	3.05 78	22.80 579	13.80 351	6.54 166	8.70 221	20.12 511	12.20 310
A12-2424E1CT (mm)	23.78 (604)	23.78 (604)	10.63 (270)	22.80 (579)	22.80 (579)	9.65 (245)	3.15 80	3.05 78	22.80 579	22.80 579	6.54 166	8.70 221	21.30 541	20.12 511

FRP NEMA rating 3, 3R, 4, 4X, 12 & 13 enclosures APO with Clear Polycarbonate Cover (CT)

Transparent cover with non-metallic hinges and cover screws with one extension collar



Clear Cover with Non-Metallic Hinges, Cover Screws & one Extension Collar

FEATURES

- Bases are made of gray hot-molded fiberglass reinforced polyester, dyed in mass
- The cover is made of transparent polycarbonate
- Protection degree IP66-11 according to IEC 529 and CENELEC EN 60529
- APO series are UL-listed, per UL Standard 508 and CSA-certified per STD C22.2 No. 94 type 3, 3R, 4, 4X, 12 and 13
- Temperature resistance -58°F to +248°F (-50°C to +120°C)
- Halogen-Free

ACCESSORIES

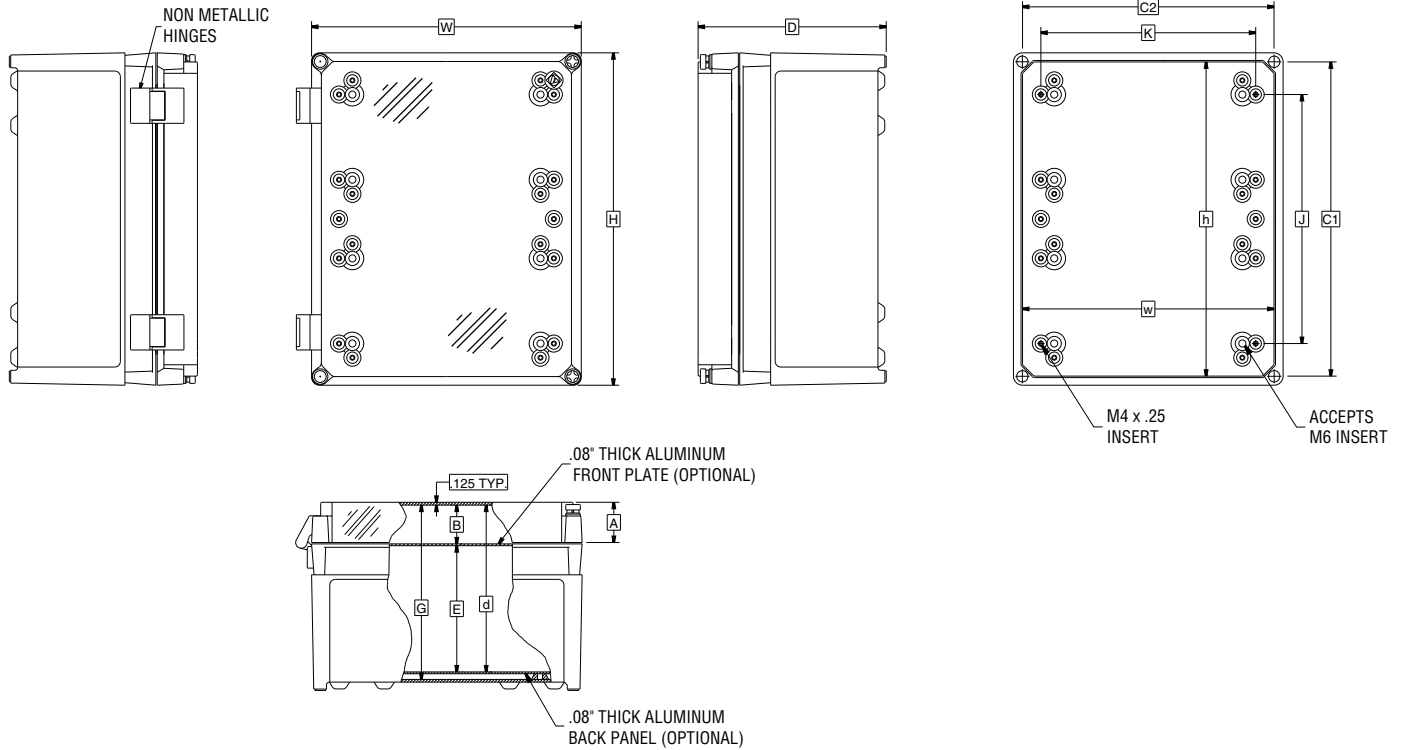
- Versatile mounting options such as non-metallic and stainless steel mounting feet and pole mounting kits
 - Coupling accessories such as coupling cover plates, coupling collars and coupling bridges
 - Locks, carrying handle and air vents
- Accessories, see pg. 59

Part Numbers	Outside			Inside			Weight	Back Plate*	Back Plate Dimensions H x W	Hinged .080" Aluminum Frontplate	Panel Size
	H	W	D	h	w	d					
A1-706E1CTH (mm)	7.32 (186)	5.94 (151)	6.88 (175)	6.54 (166)	5.12 (130)	5.90 (150)	2.78 lb 1.3 kg	BP706	5.5 x 4.50 (140 x 114)	FPH706A	6.30 X 4.90
A31-1207E1CTH (mm)	11.88 (302)	7.32 (186)	8.26 (210)	11.06 (281)	6.54 (166)	7.28 (185)	4.17 lb 1.9 kg	BP1207	9 x 5.50 (229 x 140)	FPH1207A	10.80 X 6.30
A41-1212E1CTH (mm)	11.88 (302)	11.88 (302)	8.26 (210)	11.06 (281)	11.06 (281)	7.28 (185)	5.36 lb 2.4 kg	BP1212	10 x 9 (254 x 229)	FPH1212A	10.80 X 10.80
A71-1412E1CTH (mm)	14.62 (371)	11.88 (302)	8.26 (210)	13.80 (351)	11.06 (281)	7.28 (185)	6.46 lb 2.9 kg	BP1412	12 x 10 (305 x 254)	FPH1412A	13.60 X 10.80
A81-2212E1CTH (mm)	21.93 (557)	11.88 (302)	10.63 (270)	21.10 (536)	11.06 (281)	9.65 (245)	10.83 lb 4.9 kg	BP2212	19 x 12 (483 x 305)	FPH2212A	21.20 X 10.80
A61-2412E1CTH (mm)	23.78 (604)	11.88 (302)	10.63 (270)	22.80 (579)	11.06 (281)	9.65 (245)	11.32 lb 5.1 kg	BP2412	21 x 10 (533 x 254)	FPH2412A	22.60 X 10.80
A11-2414E1CTH (mm)	23.78 (604)	14.68 (375)	10.63 (270)	22.80 (579)	13.80 (351)	9.65 (245)	13.39 lb 6.1 kg	BP2414	21 x 12.75 (533 x 324)	FPH2414A	22.60 X 13.50
A12-2424E1CTH (mm)	23.78 (604)	23.78 (604)	10.63 (270)	22.80 (579)	22.80 (579)	9.65 (245)	20.24 lb 9.2 kg	BP2424	21.88 x 21.88 (556 x 556)	FPH2424A	22.60 X 22.60

* **COMPLETE YOUR PART NUMBER WITH ONE OF THE FOLLOWING:**

- A aluminum back panel (.080" material thickness)
- S painted steel back panel (.060" material thickness)
- N non-metallic back panel (.187" material thickness)

** (13 gauge) 1/4 turn screws available, specify FP025A



Part Numbers	Outside			Inside			Dimensions							
	H	W	D	h	w	d	A	B	C1	C2	E	G	J	K
A1-706E1CTH (mm)	7.32 (186)	5.94 (151)	6.88 (175)	6.54 (166)	5.12 (130)	5.90 (150)	1.77 45	1.65 42	6.54 166	5.15 131	4.12 105	6.30 160	3.74 95	3.54 90
A31-1207E1CTH (mm)	11.88 (302)	7.32 (186)	8.26 (210)	11.06 (281)	6.54 (166)	7.28 (185)	1.77 45	1.65 42	11.06 281	6.54 166	5.50 140	7.68 195	8.27 210	4.92 125
A41-1212E1CTH (mm)	11.88 (302)	11.88 (302)	8.26 (210)	11.06 (281)	11.06 (281)	7.28 (185)	1.77 45	1.65 42	11.06 281	11.06 281	5.50 140	7.68 195	9.45 240	8.27 210
A71-1412E1CTH (mm)	14.62 (371)	11.88 (302)	8.26 (210)	13.80 (351)	11.06 (281)	7.28 (185)	1.77 45	1.65 42	13.80 351	11.06 281	5.50 140	7.68 195	11.02 280	9.45 240
A81-2212E1CTH (mm)	21.93 (557)	11.88 (302)	10.63 (270)	21.10 (536)	11.06 (281)	9.65 (245)	3.15 80	3.05 78	21.10 536	11.06 281	5.50 140	8.70 221	18.35 466	9.45 240
A61-2412E1CTH (mm)	23.78 (604)	11.88 (302)	10.63 (270)	22.80 (579)	11.06 (281)	9.65 (245)	3.15 80	3.05 78	22.80 579	11.06 281	5.50 140	8.70 221	21.12 536	9.45 240
A11-2414E1CTH (mm)	23.78 (604)	14.68 (375)	10.63 (270)	22.80 (579)	13.80 (351)	9.65 (245)	3.15 80	3.05 78	22.80 579	13.80 351	6.54 166	8.70 221	20.12 511	12.20 310
A12-2424E1CTH (mm)	23.78 (604)	23.78 (604)	10.63 (270)	22.80 (579)	22.80 (579)	9.65 (245)	3.15 80	3.05 78	22.80 579	22.80 579	6.54 166	8.70 221	21.30 541	20.12 511

FRP NEMA rating 3, 3R, 4, 4X, 12 & 13 enclosures APO with Clear Polycarbonate Cover (CT)

Transparent cover with non-metallic hinges, stainless steel latches and one extension collar



Clear Cover with Non-metallic Hinges, SS Latches with one Extension Collar

FEATURES

- Bases are made of gray hot-molded fiberglass reinforced polyester, dyed in mass
- The cover is made of transparent polycarbonate
- Protection degree IP66-11 according to IEC 529 and CENELEC EN 60529
- APO series are UL-listed, per UL Standard 508 and CSA-certified per STD C22.2 No. 94 type 3, 3R, 4, 4X, 12 and 13
- Temperature resistance -58°F to +248°F (-50°C to +120°C)
- Halogen-Free

ACCESSORIES

- Versatile mounting options such as non-metallic and stainless steel mounting feet and pole mounting kits
- Coupling accessories such as coupling cover plates, coupling collars and coupling bridges
- Locks, carrying handle and air vents

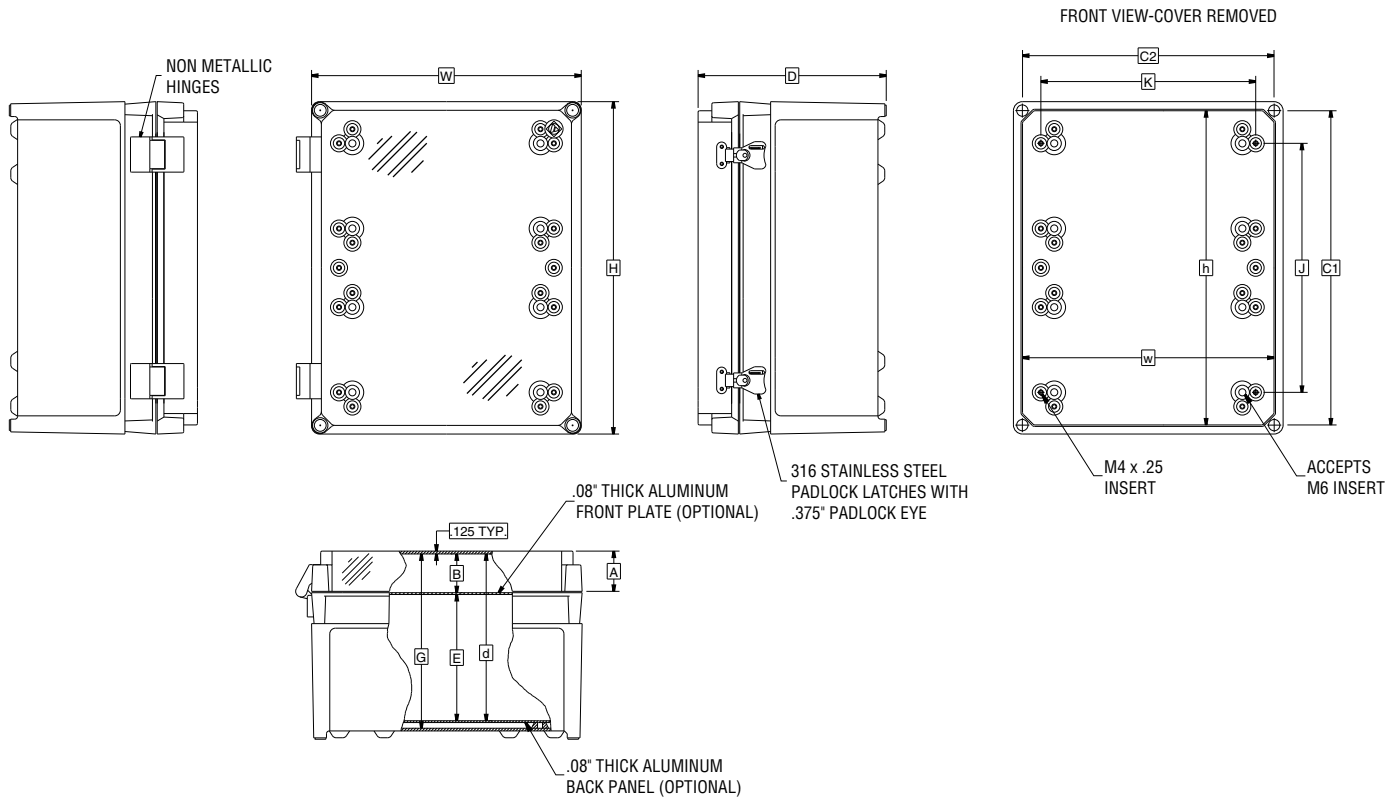
Accessories, see pg. 59

Part Numbers	Outside			Inside			Weight	Back Plate*	Back Plate Dimensions H x W	Hinged .080" Aluminum Frontplate	Panel Size
	H	W	D	h	w	d					
A1-706E1CTHPL1 (mm)	7.32 (186)	5.94 (151)	6.88 (175)	6.54 (166)	5.12 (130)	5.90 (150)	2.78 lb 1.3 kg	BP706	5.5 x 4.50 (140 x 114)	FPH706A	6.30 X 4.90
A31-1207E1CTHPL2 (mm)	11.88 (302)	7.32 (186)	8.26 (210)	11.06 (281)	6.54 (166)	7.28 (185)	4.17 lb 1.9 kg	BP1207	9 x 5.50 (229 x 140)	FPH1207A	10.80 X 6.30
A41-1212E1CTHPL2 (mm)	11.88 (302)	11.88 (302)	8.26 (210)	11.06 (281)	11.06 (281)	7.28 (185)	5.36 lb 2.4 kg	BP1212	10 x 9 (254 x 229)	FPH1212A	10.80 X 10.80
A71-1412E1CTHPL2 (mm)	14.62 (371)	11.88 (302)	8.26 (210)	13.80 (351)	11.06 (281)	7.28 (185)	6.46 lb 2.9 kg	BP1412	12 x 10 (305 x 254)	FPH1412A	13.60 X 10.80
A81-2212E1CTHPL2 (mm)	21.93 (557)	11.88 (302)	10.63 (270)	21.10 (536)	11.06 (281)	9.65 (245)	10.83 lb 4.9 kg	BP2212	19 x 12 (483 x 305)	FPH2212A	21.20 X 10.80
A61-2412E1CTHPL2 (mm)	23.78 (604)	11.88 (302)	10.63 (270)	22.80 (579)	11.06 (281)	9.65 (245)	11.32 lb 5.1 kg	BP2412	21 x 10 (533 x 254)	FPH2412A	22.60 X 10.80
A11-2414E1CTHPL2 (mm)	23.78 (604)	14.68 (375)	10.63 (270)	22.80 (579)	13.80 (351)	9.65 (245)	13.39 lb 6.1 kg	BP2414	21 x 12.75 (533 x 324)	FPH2414A	22.60 X 13.50
A12-2424E1CTHPL4 (mm)	23.78 (604)	23.78 (604)	10.63 (270)	22.80 (579)	22.80 (579)	9.65 (245)	20.24 lb 9.2 kg	BP2424	21.88 x 21.88 (556 x 556)	FPH2424A	22.60 X 22.60

***COMPLETE YOUR PART NUMBER WITH ONE OF THE FOLLOWING:**

- A aluminum back panel (.080" material thickness)
- S painted steel back panel (.060" material thickness)
- N non-metallic back panel (.187" material thickness)

** (13 gauge) 1/4 turn screws available, specify FP025A



Part Numbers	Outside			Inside			Dimensions							
	H	W	D	h	w	d	A	B	C1	C2	E	G	J	K
A1-706E1CTHPL1 (mm)	7.32 (186)	5.94 (151)	6.88 (175)	6.54 (166)	5.12 (130)	5.90 (150)	1.77 45	1.65 42	6.54 166	5.15 131	4.12 105	6.30 160	3.74 95	3.54 90
A31-1207E1CTHPL2 (mm)	11.88 (302)	7.32 (186)	8.26 (210)	11.06 (281)	6.54 (166)	7.28 (185)	1.77 45	1.65 42	11.06 281	6.54 166	5.50 140	6.30 160	8.27 210	4.92 125
A41-1212E1CTHPL2 (mm)	11.88 (302)	11.88 (302)	8.26 (210)	11.06 (281)	11.06 (281)	7.28 (185)	1.77 45	1.65 42	11.06 281	11.06 281	5.50 140	6.30 160	9.45 240	8.27 210
A71-1412E1CTHPL2 (mm)	14.62 (371)	11.88 (302)	8.26 (210)	13.80 (351)	11.06 (281)	7.28 (185)	1.77 45	1.65 42	13.80 351	11.06 281	5.50 140	6.30 160	11.02 280	9.45 240
A81-2212E1CTHPL2 (mm)	21.93 (557)	11.88 (302)	10.63 (270)	21.10 (536)	11.06 (281)	9.65 (245)	3.15 80	3.05 78	21.10 536	11.06 281	5.50 140	10.04 255	18.35 466	9.45 240
A61-2412E1CTHPL2 (mm)	23.78 (604)	11.88 (302)	10.63 (270)	22.80 (579)	11.06 (281)	9.65 (245)	3.15 80	3.05 78	22.80 579	11.06 281	5.50 140	10.04 255	21.12 536	9.45 240
A11-2414E1CTHPL2 (mm)	23.78 (604)	14.68 (375)	10.63 (270)	22.80 (579)	13.80 (351)	9.65 (245)	3.15 80	3.05 78	22.80 579	13.80 351	6.54 166	10.04 255	20.12 511	12.20 310
A12-2424E1CTHPL4 (mm)	23.78 (604)	23.78 (604)	10.63 (270)	22.80 (579)	22.80 (579)	9.65 (245)	3.15 80	3.05 78	22.80 579	22.80 579	6.54 166	10.04 255	21.30 541	20.12 511

FRP NEMA rating 3, 3R, 4, 4X, 12 & 13 enclosures APO with Hinged Clear Door in Polyester Cover (DT)

Hinged transparent cover with non-metallic thumb screws for the door. Clear door provides easy visual inspection and access to interior.



**DT Cover with
Non-metallic Cover Screws**

FEATURES

- Bases are made of gray hot-molded fiberglass reinforced polyester, dyed in mass
- Polyester cover has a hinged transparent door for quick access. Set of two thumb screws are included.
- Protection degree IP67-11 according to IEC 529 and CENELEC EN 60529
- APO series are UL-listed, per UL Standard 508, CSA-certified per STD C22.2 No. 94 type 3, 3R, 4, 4X, 12 and 13, and carry the CE mark
- Temperature resistance -58°F to +248°F (-50°C to +120°C)
- Halogen-Free

ACCESSORIES

- Versatile mounting options such as non-metallic and stainless steel mounting feet and pole mounting kits
- Coupling accessories such as coupling cover plates, coupling collars and coupling bridges
- Locks, carrying handle and air vents
- DT covers are UL recognized

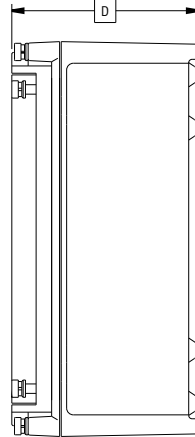
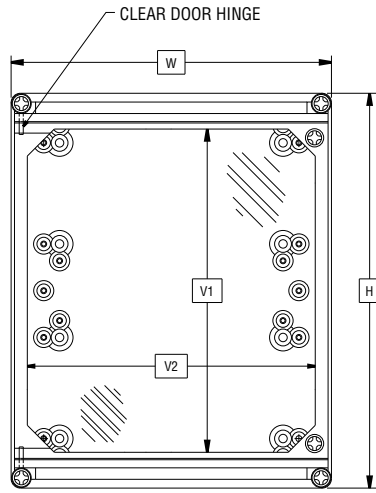
Accessories, see pg. 59

Part Numbers	Outside			Inside			Weight	Back Plate*	Back Plate Dimensions H x W	Hinged .080" Aluminum Frontplate	Panel Size
	H	W	D	h	w	d					
A31-1207DT (mm)	11.88 (302)	7.32 (186)	6.88 (175)	11.06 (281)	6.54 (166)	5.85 (149)	4.4 lb 2.0 kg	BP1207	9 x 5.50	AFP1207A (229 x 140)	10.80 X 6.30
A41-1212DT (mm)	11.88 (302)	11.88 (302)	6.88 (175)	11.06 (281)	11.06 (281)	5.85 (149)	5.5 lb 2.5 kg	BP1212	10 x 9	AFP1212A (254 x 229)	10.80 X 10.80
A71-1412DT (mm)	14.62 (371)	11.88 (302)	6.88 (175)	13.80 (351)	11.06 (281)	5.85 (149)	6.9 lb 3.1 kg	BP1412	12 x 10	AFP1412A (305 x 254)	13.60 X 10.80
A51-1912DT (mm)	19.20 (488)	11.88 (302)	6.88 (175)	18.30 (467)	11.06 (281)	5.85 (149)	8.7 lb 3.9 kg	BP1912	17 x 10.50	AFP1912A (432 x 267)	18.10 X 10.80
A61-2412DT (mm)	23.78 (604)	11.88 (302)	6.88 (175)	22.80 (579)	11.06 (281)	5.85 (149)	10.3 lb 4.7 kg	BP2412	21 x 10	AFP2412A (533 x 254)	22.60 X 10.80

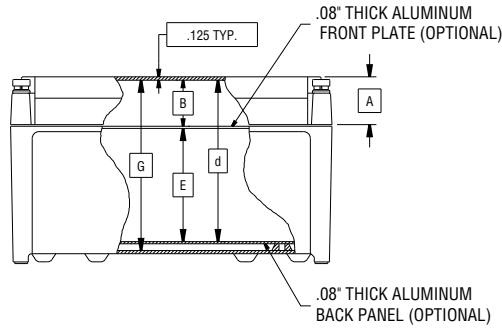
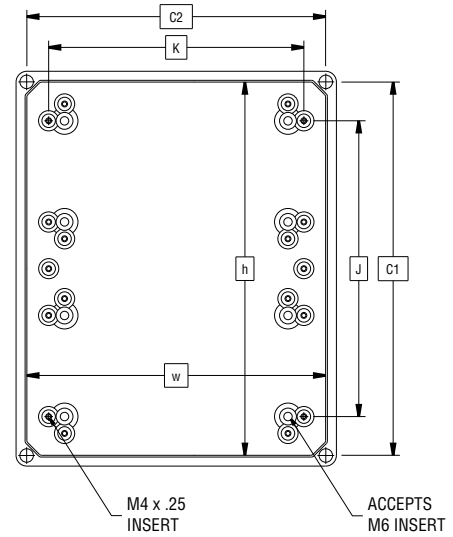
* **COMPLETE YOUR PART NUMBER WITH ONE OF THE FOLLOWING:**

- A aluminum back panel (.080" material thickness)
- S painted steel back panel (.060" material thickness)
- N non-metallic back panel (.187" material thickness)

** (13 gauge) 1/4 turn screws available, specify FP025A



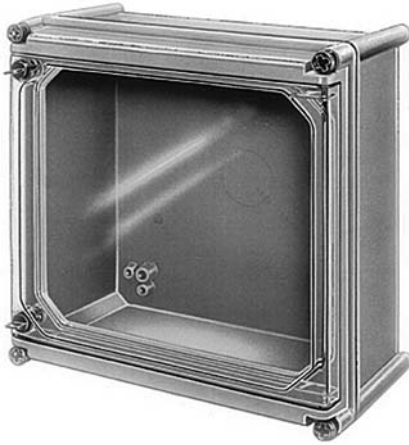
FRONT VIEW-COVER REMOVED



Part Numbers	Outside			Inside			Dimensions									
	H	W	D	h	w	d	A	B	C1	C2	E	G	J	K	V1	V2
A31-1207DT (mm)	11.88 (302)	7.32 (186)	6.88 (175)	11.06 (281)	6.54 (166)	5.85 (149)	1.77 45	1.65 42	11.06 281	6.54 166	4.12 105	6.30 160	8.27 210	4.92 125	10.25 260	4.32 110
A41-1212DT (mm)	11.88 (302)	11.88 (302)	6.88 (175)	11.06 (281)	11.06 (281)	5.85 (149)	1.77 45	1.65 42	11.06 281	11.06 281	4.12 105	6.30 160	9.45 240	8.27 210	8.84 225	10.25 260
A71-1412DT (mm)	14.62 (371)	11.88 (302)	6.88 (175)	13.80 (351)	11.06 (281)	5.85 (149)	1.77 45	1.65 42	13.80 351	11.06 281	4.12 105	6.30 160	11.02 280	9.45 240	11.6 295	10.25 260
A51-1912DT (mm)	19.20 (488)	11.88 (302)	6.88 (175)	18.30 (467)	11.06 (281)	5.85 (149)	1.77 45	1.65 42	18.30 465	11.06 281	4.12 105	6.30 160	15.59 396	9.45 240	16.12 409	10.25 260
A61-2412DT (mm)	23.78 (604)	11.88 (302)	6.88 (175)	22.80 (579)	11.06 (281)	5.85 (149)	1.77 45	1.65 42	22.80 579	11.06 281	4.12 105	6.30 160	21.12 536	9.45 240	20.62 524	10.25 260

FRP NEMA rating 3, 3R, 4, 4X, 12 & 13 enclosures APO with Hinged Clear Door in Polyester Cover (DT) with Stainless Steel Hinges

Hinged transparent cover with non-metallic thumb screws for the door. Corner Hinges are Stainless Steel (wing type) Clear door provides easy visual inspection and access to interior. A31 model hinged on short dimension side.



DT Cover with SS Hinges & Non-metallic Cover Screws

FEATURES

- Bases are made of gray hot-molded fiberglass reinforced polyester, dyed in mass
- Polyester cover has a hinged transparent door for quick access. Set of two thumb screws are included.
- Protection degree IP67-11 according to IEC 529 and CENELEC EN 60529
- APO series are UL-listed, per UL Standard 508, CSA-certified per STD C22.2 No. 94 type 3, 3R, 4, 4X, 12 and 13, and carry the CE mark
- Temperature resistance -58°F to +248°F (-50°C to +120°C)
- Halogen-Free

ACCESSORIES

- Versatile mounting options such as non-metallic and stainless steel mounting feet and pole mounting kits
- Coupling accessories such as coupling cover plates, coupling collars and coupling bridges
- Locks, carrying handle and air vents
- DT covers are UL recognized

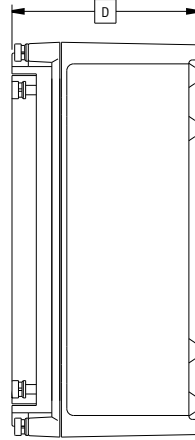
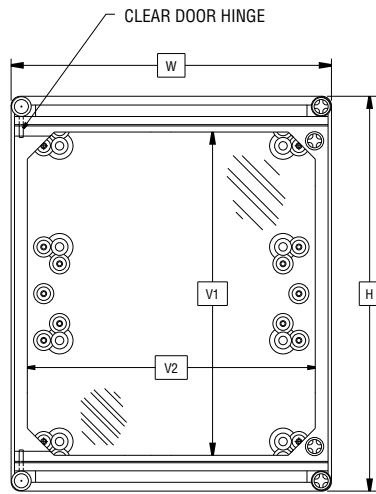
Accessories, see pg. 59

Part Numbers	Outside			Inside			Weight	Back Plate*	Back Plate Dimensions H x W	Hinged .080" Aluminum Frontplate	Panel Size
	H	W	D	h	w	d					
A31-1207DTH (mm)	11.88 (302)	7.32 (186)	6.88 (175)	11.06 (281)	6.54 (166)	5.85 (149)	4.4 lb 2.0 kg	BP1207	9 x 5.50 (229 x 140)	AFP1207A	10.80 X 6.30
A41-1212DTH (mm)	11.88 (302)	11.88 (302)	6.88 (175)	11.06 (281)	11.06 (281)	5.85 (149)	5.5 lb 2.5 kg	BP1212	10 x 9 (254 x 229)	AFP1212A	10.80 X 10.80
A71-1412DTH (mm)	14.62 (371)	11.88 (302)	6.88 (175)	13.80 (351)	11.06 (281)	5.85 (149)	6.9 lb 3.1 kg	BP1412	12 x 10 (305 x 254)	AFP1412A	13.60 X 10.80
A51-1912DTH (mm)	19.20 (488)	11.88 (302)	6.88 (175)	18.30 (467)	11.06 (281)	5.85 (149)	8.7 lb 3.9 kg	BP1912	17 x 10.50 (432 x 267)	AFP1912A	18.10 X 10.80
A61-2412DTH (mm)	23.78 (604)	11.88 (302)	6.88 (175)	22.80 (579)	11.06 (281)	5.85 (149)	10.3 lb 4.7 kg	BP2412	21 x 10 (533 x 254)	AFP2412A	22.60 X 10.80

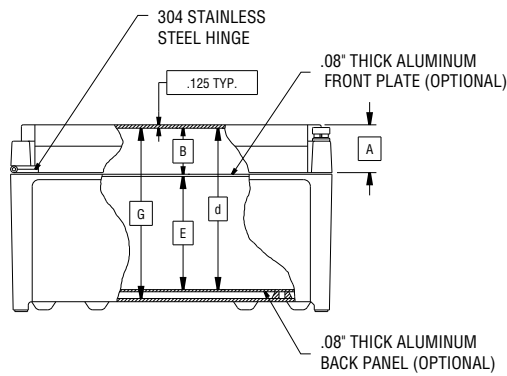
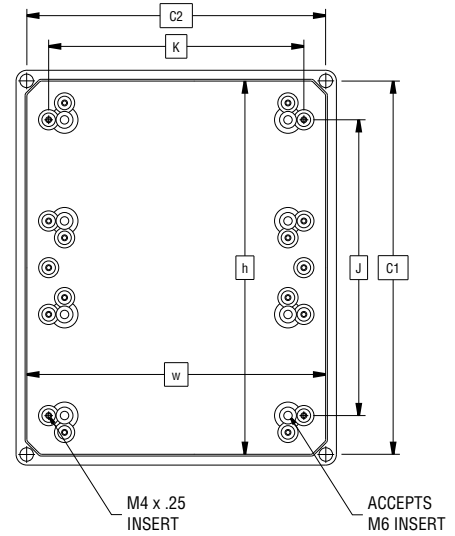
* COMPLETE YOUR PART NUMBER WITH ONE OF THE FOLLOWING:

- A aluminum back panel (.080" material thickness)
- S painted steel back panel (.060" material thickness)
- N non-metallic back panel (.187" material thickness)

** (13 gauge) 1/4 turn screws available, specify FP025A



FRONT VIEW-COVER REMOVED



Part Numbers	Outside			Inside			Dimensions									
	H	W	D	h	w	d	A	B	C1	C2	E	G	J	K	V1	V2
A31-1207DTH (mm)	11.88 (302)	7.32 (186)	6.88 (175)	11.06 (281)	6.54 (166)	5.85 (149)	1.77 45	1.65 42	11.06 281	6.54 166	4.12 105	6.30 160	8.27 210	4.92 125	10.25 260	4.32 110
A41-1212DTH (mm)	11.88 (302)	11.88 (302)	6.88 (175)	11.06 (281)	11.06 (281)	5.85 (149)	1.77 45	1.65 42	11.06 281	11.06 281	4.12 105	6.30 160	9.45 240	8.27 210	8.84 225	10.25 260
A71-1412DTH (mm)	14.62 (371)	11.88 (302)	6.88 (175)	13.80 (351)	11.06 (281)	5.85 (149)	1.77 45	1.65 42	13.80 351	11.06 281	4.12 105	6.30 160	11.02 280	9.45 240	11.6 295	10.25 260
A51-1912DTH (mm)	19.20 (488)	11.88 (302)	6.88 (175)	18.30 (467)	11.06 (281)	5.85 (149)	1.77 45	1.65 42	18.30 465	11.06 281	4.12 105	6.30 160	15.59 396	9.45 240	16.12 409	10.25 260
A61-2412DTH (mm)	23.78 (604)	11.88 (302)	6.88 (175)	22.80 (579)	11.06 (281)	5.85 (149)	1.77 45	1.65 42	22.80 579	11.06 281	4.12 105	6.30 160	21.12 536	9.45 240	20.62 524	10.25 260

FRP NEMA rating 3, 3R, 4, 4X, 12 & 13 enclosures APO with Hinged Clear Door in Polyester Cover (DT) with one Extension Collar

Hinged transparent cover with non-metallic thumb screws for the door. Clear door provides easy visual inspection and access to interior. A31 model hinged on short dimension side.



DT Cover with one Extension Collar & Non-metallic Cover Screws

FEATURES

- Bases are made of gray hot-molded fiberglass reinforced polyester, dyed in mass
- Polyester cover has a hinged transparent door for quick access. Set of two thumb screws are included.
- Protection degree IP67-11 according to IEC 529 and CENELEC EN 60529
- APO series are UL-listed, per UL Standard 508, CSA-certified per STD C22.2 No. 94 type 3, 3R, 4, 4X, 12 and 13, and carry the CE mark
- Temperature resistance -58°F to +248°F (-50°C to +120°C)
- Halogen-Free

ACCESSORIES

- Versatile mounting options such as non-metallic and stainless steel mounting feet and pole mounting kits
- Coupling accessories such as coupling cover plates, coupling collars and coupling bridges
- Locks, carrying handle and air vents
- DT covers are UL recognized

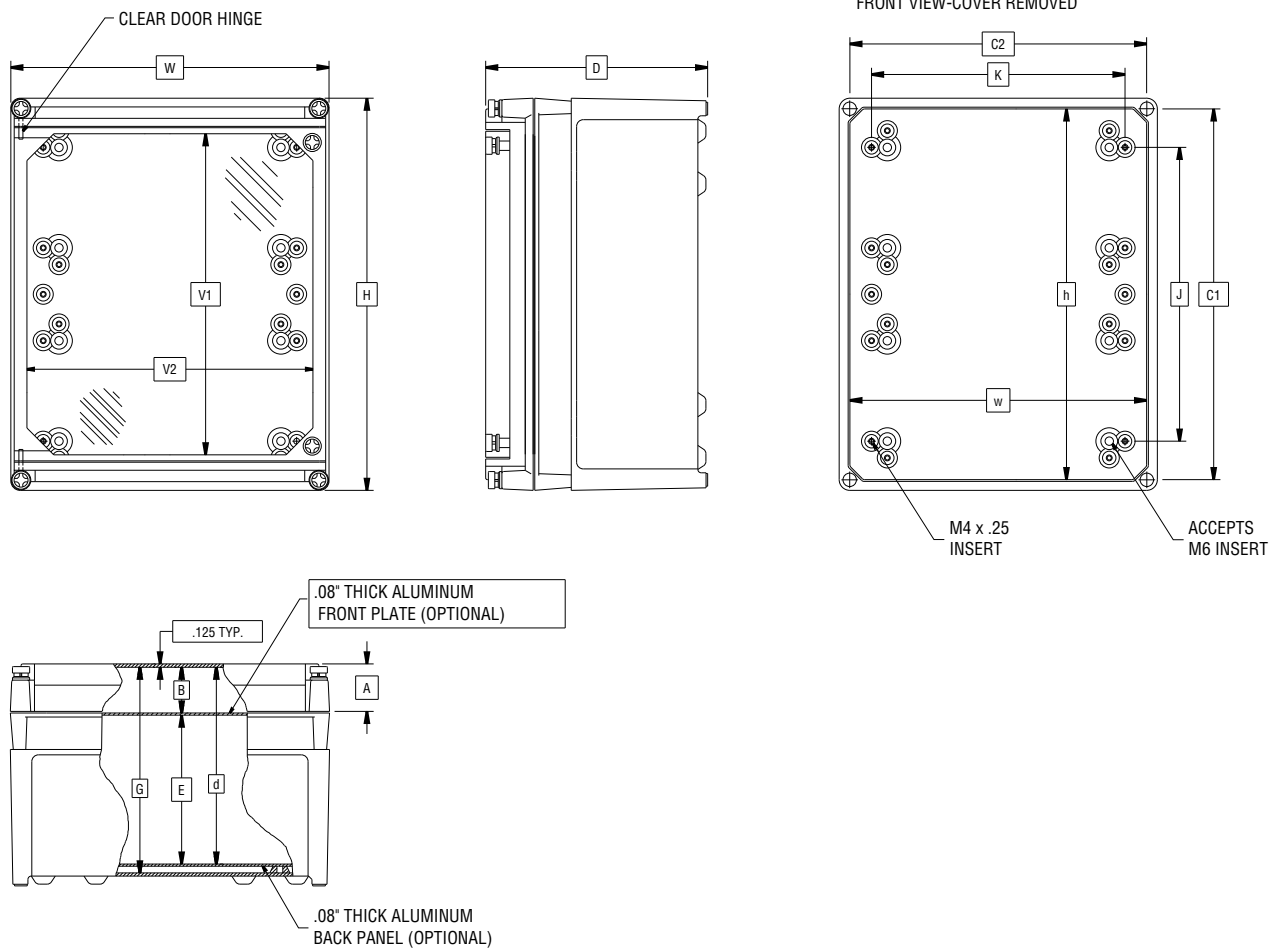
Accessories, see pg. 59

Part Numbers	Outside			Inside			Weight	Back Plate*	Back Plate Dimensions H x W	Hinged .080" Aluminum Frontplate	Panel Size
	H	W	D	h	w	d					
A31-1207E1DT (mm)	11.88 (302)	7.32 (186)	8.26 (210)	11.06 (281)	6.54 (166)	7.28 (185)	5.07 lb 2.3 kg	BP1207	9 x 5.50 (229 x 140)	AFP1207A	10.80 X 6.30
A41-1212E1DT (mm)	11.88 (302)	11.88 (302)	8.26 (210)	11.06 (281)	11.06 (281)	7.28 (185)	6.1 lb 2.8 kg	BP1212	10 x 9 (254 x 229)	AFP1212A	10.80 X 10.80
A71-1412E1DT (mm)	14.62 (371)	11.88 (302)	8.26 (210)	13.80 (351)	11.06 (281)	7.28 (185)	7.9 lb 3.6 kg	BP1412	12 x 10 (305 x 254)	AFP1412A	13.60 X 10.80
A61-2412E1DT (mm)	23.78 (604)	11.88 (302)	9.24 (235)	22.80 (579)	11.06 (281)	8.26 (210)	12.6 lb 5.7 kg	BP2412	21 x 10 (533 x 254)	AFP2412A	22.60 X 10.80

* COMPLETE YOUR PART NUMBER WITH ONE OF THE FOLLOWING:

- A aluminum back panel (.080" material thickness)
- S painted steel back panel (.060" material thickness)
- N non-metallic back panel (.187" material thickness)

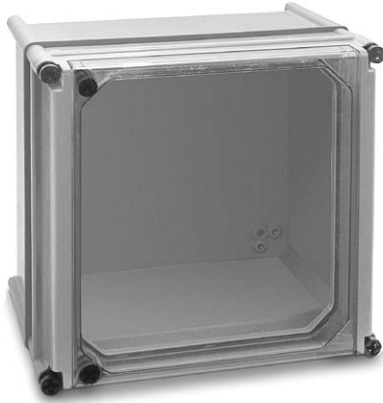
** (13 gauge) 1/4 turn screws available, specify FP025A



Part Numbers	Outside			Inside			Dimensions									
	H	W	D	h	w	d	A	B	C1	C2	E	G	J	K	V1	V2
A31-1207E1DT (mm)	11.88 (302)	7.32 (186)	8.26 (210)	11.06 (281)	6.54 (166)	7.28 (185)	1.77 45	1.65 42	11.06 281	6.54 166	5.58 141	7.68 195	8.27 210	4.92 125	10.25 260	4.32 110
A41-1212E1DT (mm)	11.88 (302)	11.88 (302)	8.26 (210)	11.06 (281)	11.06 (281)	7.28 (185)	1.77 45	1.65 42	11.06 281	11.06 281	5.58 141	7.68 195	9.45 240	8.27 210	8.84 225	10.25 260
A71-1412E1DT (mm)	14.62 (371)	11.88 (302)	8.26 (210)	13.80 (351)	11.06 (281)	7.28 (185)	1.77 45	1.65 42	13.80 351	11.06 281	5.58 141	7.68 195	11.02 280	9.45 240	11.6 295	10.25 260
A61-2412E1DT (mm)	23.78 (604)	11.88 (302)	9.24 (235)	22.80 (579)	11.06 (281)	8.26 (210)	1.77 45	1.65 42	22.80 579	11.06 281	5.58 141	7.68 195	21.12 536	9.45 240	20.62 524	10.25 260

FRP NEMA rating 3, 3R, 4, 4X, 12 & 13 enclosures APO with Hinged Clear Door in Polyester Cover (DT) with One Extension Collar and Hinges

Hinged transparent cover with non-metallic thumb screws for the door. Corner hinges are stainless steel corner-mounted wing type. Clear door provides easy visual inspection and access to interior. A31 model hinged on short dimension side.



DT Cover with SS Hinges, Cover Screws & Extension Collar

FEATURES

- Bases are made of gray hot-molded fiberglass reinforced polyester, dyed in mass
- Polyester cover has a hinged transparent door for quick access. Set of two thumb screws are included.
- Protection degree IP67-11 according to IEC 529 and CENELEC EN 60529
- APO series are UL-listed, per UL Standard 508, CSA-certified per STD C22.2 No. 94 type 3, 3R, 4, 4X, 12 and 13, and carry the CE mark
- Temperature resistance -58°F to +248°F (-50°C to +120°C)
- Halogen-Free

ACCESSORIES

- Versatile mounting options such as non-metallic and stainless steel mounting feet and pole mounting kits
- Coupling accessories such as coupling cover plates, coupling collars and coupling bridges
- Locks, carrying handle and air vents
- DT covers are UL recognized

Accessories, see pg. 59

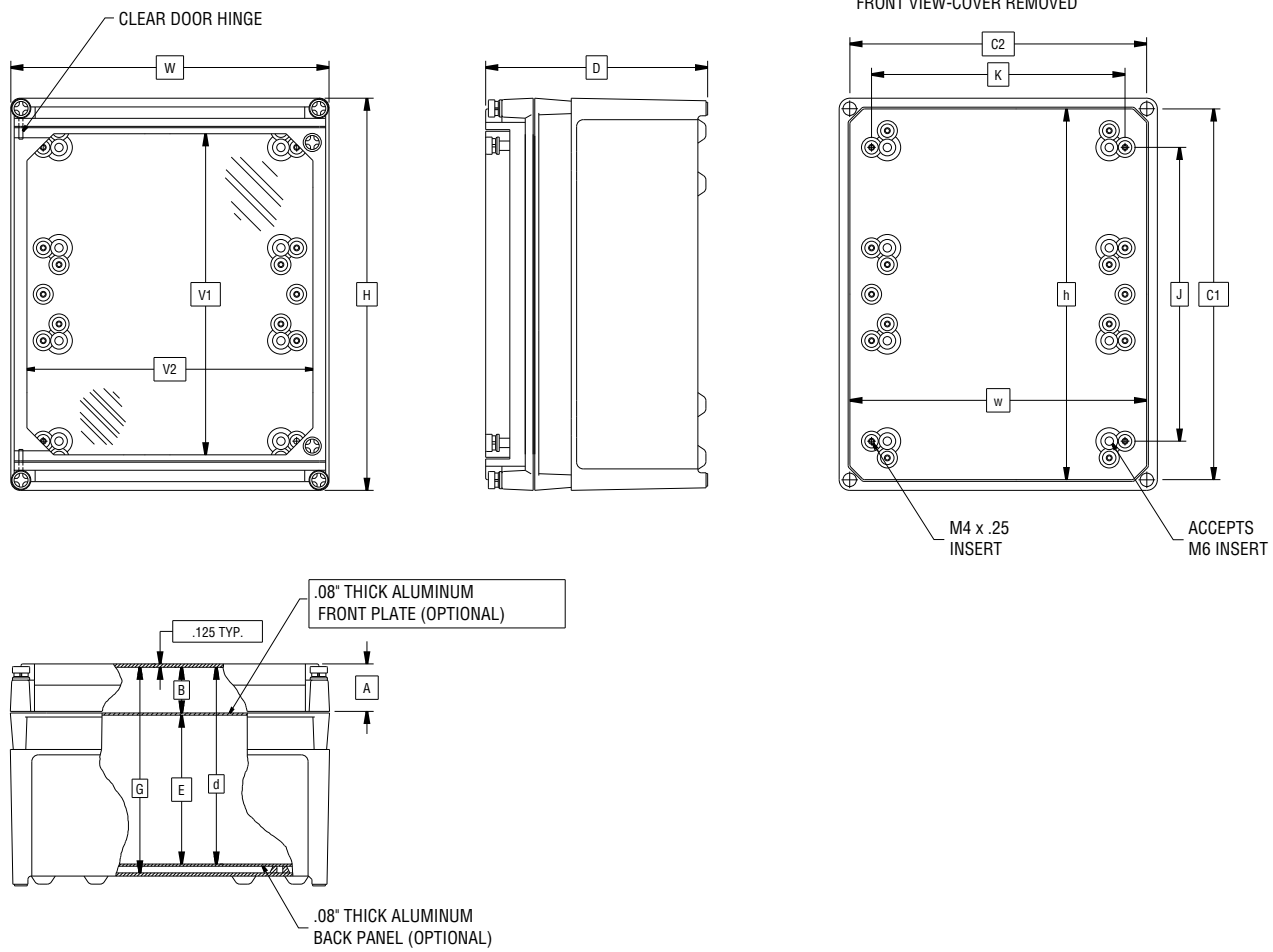
Part Numbers	Outside			Inside			Weight	Back Plate*	Back Plate Dimensions H x W	Hinged .080" Aluminum Frontplate	Panel Size
	H	W	D	h	w	d					
A31-1207E1DTH (mm)	11.88 (302)	7.32 (186)	8.26 (210)	11.06 (281)	6.54 (166)	7.28 (185)	5.07 lb 2.3 kg	BP1207	9 x 5.50 (229 x 140)	AFP1207A	10.80 X 6.30
A41-1212E1DTH (mm)	11.88 (302)	11.88 (302)	8.26 (210)	11.06 (281)	11.06 (281)	7.28 (185)	6.1 lb 2.8 kg	BP1212	10 x 9 (254 x 229)	AFP1212A	10.80 X 10.80
A71-1412E1DTH (mm)	14.62 (371)	11.88 (302)	8.26 (210)	13.80 (351)	11.06 (281)	7.28 (185)	7.9 lb 3.6 kg	BP1412	12 x 10 (305 x 254)	AFP1412A	13.60 X 10.80
A61-2412E1DTH (mm)	23.78 (604)	11.88 (302)	9.24 (235)	22.80 (579)	11.06 (281)	8.26 (210)	12.6 lb 5.7 kg	BP2412	21 x 10 (533 x 254)	AFP2412A	22.60 X 10.80

*** COMPLETE YOUR PART NUMBER WITH ONE OF THE FOLLOWING:**

- A aluminum back panel (.080" material thickness)
- S painted steel back panel (.060" material thickness)
- N non-metallic back panel (.187" material thickness)

Add the appropriate suffix as described below:

No Suffix = screw cover
H = hinge



Part Numbers	Outside			Inside			Dimensions									
	H	W	D	h	w	d	A	B	C1	C2	E	G	J	K	V1	V2
A31-1207E1DTH (mm)	11.88 (302)	7.32 (186)	8.26 (210)	11.06 (281)	6.54 (166)	7.28 (185)	1.77 45	1.65 42	11.06 281	6.54 166	5.58 141	7.68 195	8.27 210	4.92 125	10.25 260	4.32 110
A41-1212E1DTH (mm)	11.88 (302)	11.88 (302)	8.26 (210)	11.06 (281)	11.06 (281)	7.28 (185)	1.77 45	1.65 42	11.06 281	11.06 281	5.58 141	7.68 195	9.45 240	8.27 210	8.84 225	10.25 260
A71-1412E1DTH (mm)	14.62 (371)	11.88 (302)	8.26 (210)	13.80 (351)	11.06 (281)	7.28 (185)	1.77 45	1.65 42	13.80 351	11.06 281	5.58 141	7.68 195	11.02 280	9.45 240	11.6 295	10.25 260
A61-2412E1DTH (mm)	23.78 (604)	11.88 (302)	9.24 (235)	22.80 (579)	11.06 (281)	8.26 (210)	1.77 45	1.65 42	22.80 579	11.06 281	5.58 141	7.68 195	21.12 536	9.45 240	20.62 524	10.25 260

DT Polyester Cover with Hinged Transparent Door in Cover UL recognized for NEMA 3, 3R, 4, 4X, 12 & 13

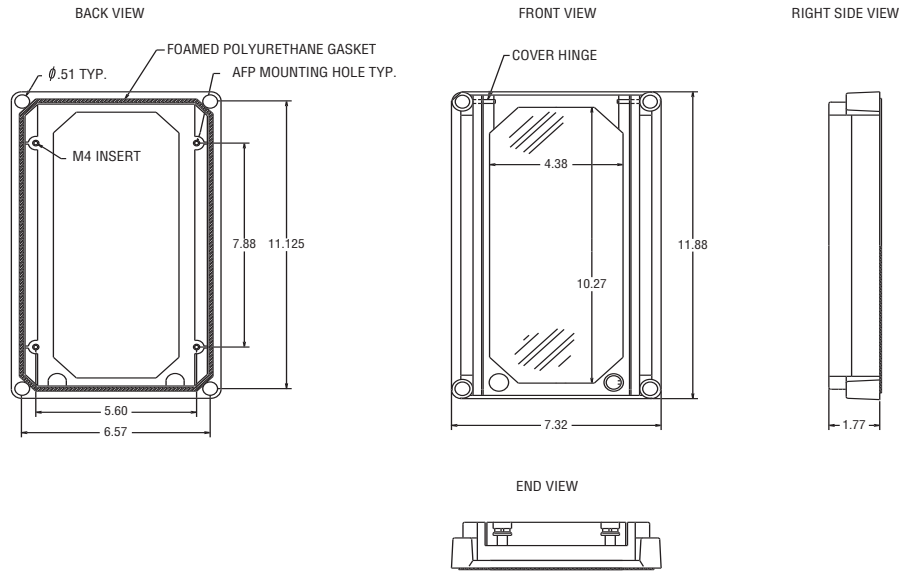


May be used on any smooth flat metal or non-metallic surface

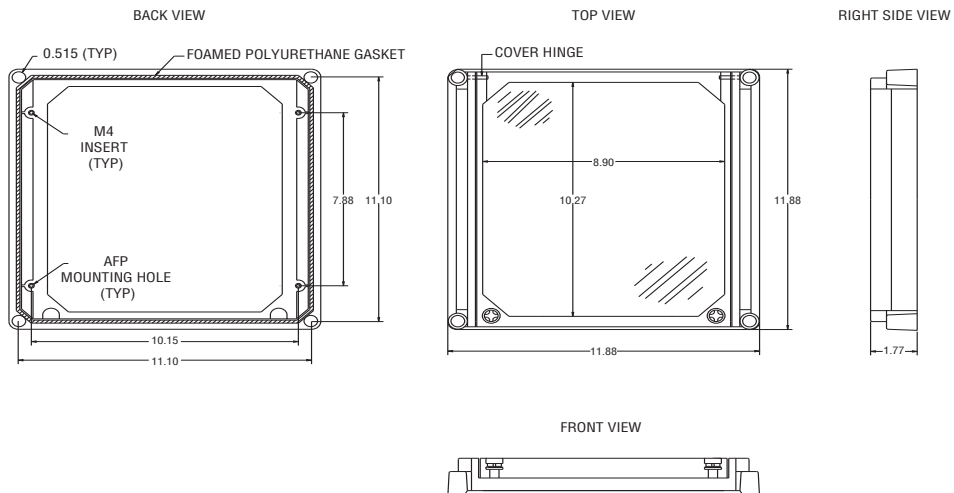
Catalog Number	Outside			Inside			Weight (lbs.)
	H	W	D	h	w	d	
A31-DT COVER	11.88	7.32	1.77	10.25	4.32	1.65	2.05
A41-DT COVER	11.88	11.88	1.77	10.25	8.84	1.65	2.27
A71-DT COVER	14.62	11.88	1.77	10.25	11.60	1.65	3.13
A51-DT COVER	11.88	19.2	1.77	10.25	16.12	1.65	3.55
A61-DT COVER	11.88	23.78	1.77	10.25	20.62	1.65	4.55

NOTE: • [Blue square] - Millimeters

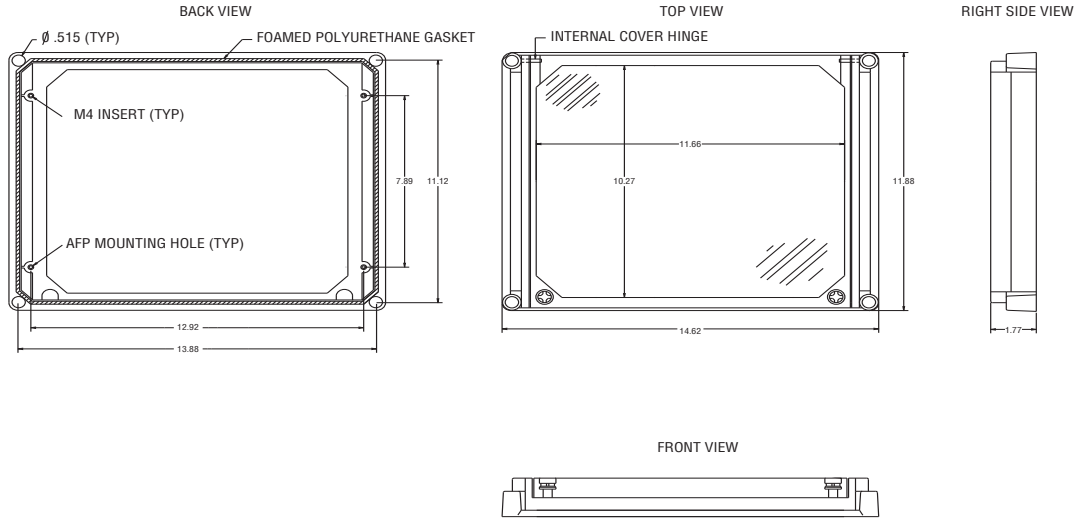
A31-DT Cover



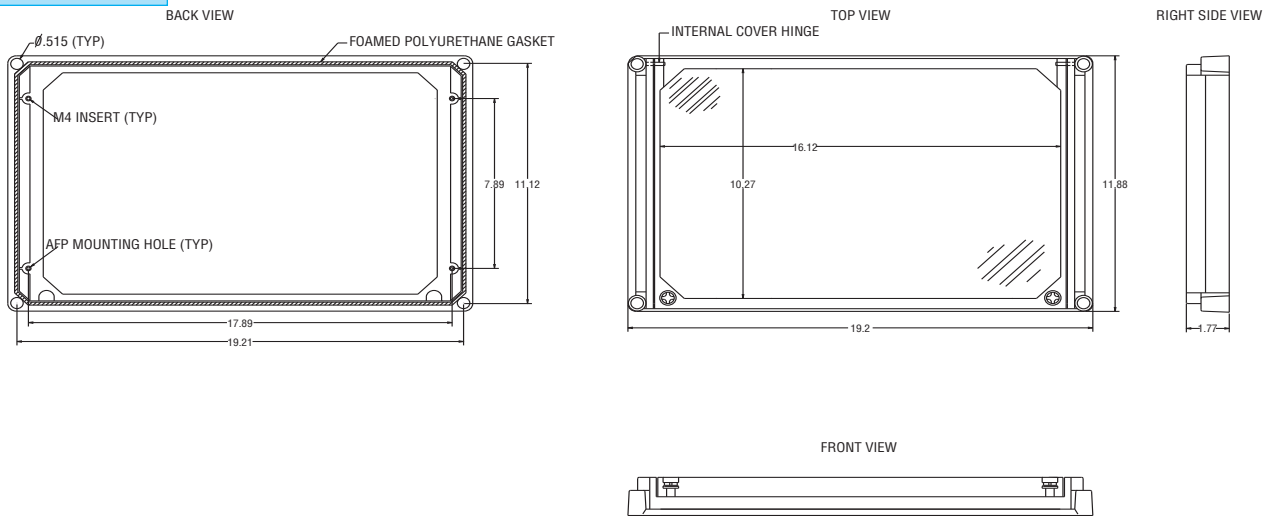
A41-DT Cover



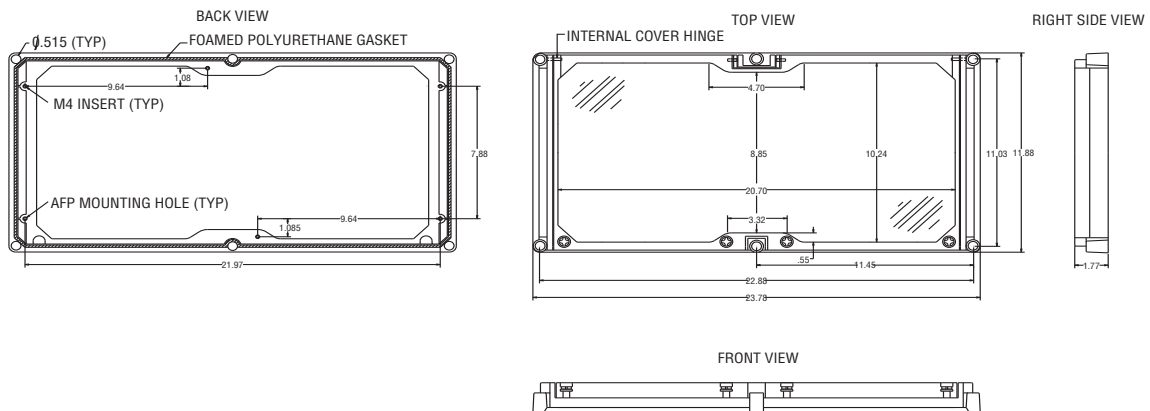
A71-DT Cover



A51-DT Cover



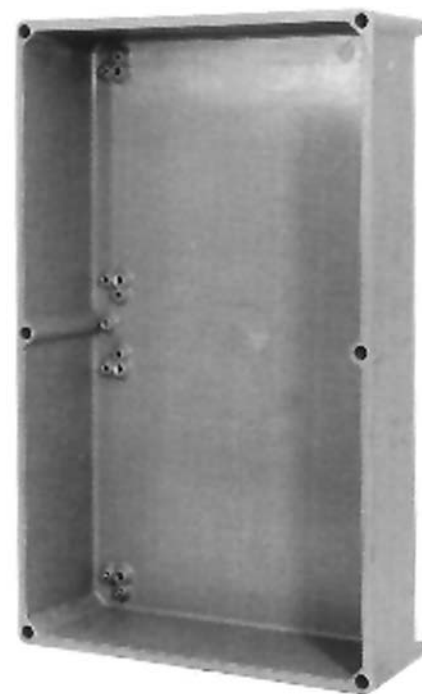
A61-DT Cover



Polyester Base for FRP NEMA rating 3, 3R, 4, 4X, 12 & 13 enclosures

Catalog Number	H	Outside			Inside			Weight (lbs.)
		W	D	h	w	d		
A1-BASE	7.32 186	5.94 151	3.34 85	6.54 165	5.15 131	2.75 70	1.3	
A31-BASE	11.88 302	7.32 186	5.12 130	11.06 281	6.54 166	4.37 111	2.4	
A41-BASE	11.88 302	11.88 302	5.12 130	11.06 281	11.06 281	4.37 111	3.2	
A71-BASE	14.62 371	11.88 302	5.12 130	13.8 351	11.06 281	4.37 111	3.8	
A51-BASE	19.2 488	11.88 302	5.12 130	18.3 467	11.06 281	4.37 111	5.1	
A81-BASE	21.93 557	11.88 302	5.12 130	21.1 536	11.06 281	4.37 111	6.2	
A61-BASE	23.78 604	11.88 302	5.12 130	22.8 579	11.06 281	4.37 111	5.7	
A11-BASE	23.78 604	14.68 372	5.12 130	22.8 579	13.8 351	4.37 111	7.2	
A12-BASE	23.78 604	23.78 604	5.12 130	22.8 579	22.8 579	4.37 111	9.3	

NOTE: • - Millimeters



Polyester Cover for FRP NEMA rating 3, 3R, 4, 4X, 12 & 13 enclosures

Opaque gray cover with fixing screws

Catalog Number	H	Outside			Inside			Weight (lbs.)
		W	D	h	w	d		
A1-COVER	7.32 186	5.94 151	1.77 45	6.54 166	5.15 131	1.65 42	1.02	
A31-COVER	11.88 302	7.32 186	1.77 45	11.06 281	6.54 166	1.65 42	1.39	
A41-COVER	11.88 302	11.88 302	1.77 45	11.06 281	11.06 281	1.65 42	.40	
A71-COVER	14.62 371	11.88 302	1.77 45	13.8 351	11.06 281	1.65 42	.55	
A51-COVER	19.2 488	11.88 302	1.77 45	18.3 467	11.06 281	1.65 42	.62	
A81-COVER	21.93 557	11.88 302	1.77 45	21.1 536	11.06 281	1.65 42	.75	
A61-COVER	23.78 604	11.88 302	1.77 45	22.8 579	11.06 281	1.65 42	.81	
A11-COVER	23.78 604	14.68 372	1.77 45	22.8 579	13.8 351	1.65 42	.97	
A12-COVER	23.78 604	23.78 604	1.77 45	22.8 579	22.8 579	1.65 42	1.45	

NOTE: • - Millimeters



Clear Polycarbonate Cover for FRP NEMA rating 3, 3R, 4, 4X, 12 & 13 enclosures (CT cover)

Clear cover with fixing screws

Catalog Number	H	Outside		h	Inside		Weight (lbs.)
		W	D		w	d	
A1-CT COVER	7.32	5.94	1.77	6.54	5.12	1.65	.47
	186	151	45	166	130	42	
A31-CT COVER	11.88	7.32	1.77	11.06	6.54	1.65	.75
	302	186	45	281	166	42	
A41-CT COVER	11.88	11.88	1.77	11.06	11.06	1.65	1.15
	302	302	45	281	281	42	
A71-CT COVER	14.62	11.88	1.77	13.8	11.06	1.65	1.48
	371	302	45	351	281	42	
A51-CT COVER	19.2	11.88	3.15	18.3	11.06	3.05	2.09
	488	302	80	467	281	77.5	
A81-CT COVER	21.93	11.88	3.15	21.1	11.06	3.05	2.69
	557	302	80	536	281	77.5	
A61-CT COVER	23.78	11.88	3.15	22.8	11.06	3.05	2.89
	604	302	80	579	281	77.5	
A11-CT COVER	23.78	14.68	3.15	22.8	13.8	3.05	3.20
	604	372	80	579	351	77.5	
A12-CT COVER	23.78	23.78	3.15	22.8	22.8	3.05	5.94
	604	604	80	579	579	77.5	

NOTE: • - Millimeters



Polyester Cover with Hinged Transparent Door in Cover for FRP NEMA rating 3, 3R, 4, 4X, 12 & 13 enclosures (DT cover)

Catalog Number	H	Outside		h	Inside		Weight (lbs.)
		W	D		w	d	
A31-DT COVER	11.88	7.32	1.77	10.25	4.32	1.65	2.05
	302	186	45	260	109	42	
A41-DT COVER	11.88	11.88	1.77	10.25	8.84	1.65	2.27
	302	302	45	260	224	42	
A71-DT COVER	11.88	14.68	1.77	10.25	11.60	1.65	3.13
	302	372	45	260	294	42	
A51-DT COVER	11.88	19.2	1.77	10.25	16.12	1.65	3.55
	302	488	45	260	409	42	
A61-DT COVER	11.88	23.78	1.77	10.25	20.62	1.65	4.55
	302	604	45	260	523	42	

NOTE: • - Millimeters



Depth Extension Collar for FRP NEMA rating 3, 3R, 4, 4X, 12 & 13 enclosures

Fiberglass reinforced polyamide (PA6)

Catalog Number	H	Outside W	D	h	Inside w	d	Weight (lbs.)
A1-EXT706	7.32 186	5.94 151	1.38 35	6.54 166	5.15 131	1.38 35	.91
A31-EXT1207	11.88 302	7.32 186	1.38 35	11.06 281	6.54 166	1.38 35	.67
A41-EXT1212	11.88 302	11.88 302	1.38 35	11.06 281	11.06 281	1.38 35	.76
A71-EXT1412	14.62 371	11.88 302	1.38 35	13.8 351	11.06 281	1.38 35	.96
A51-EXT1912	NOT AVAILABLE						
A81-EXT2212	21.93 557	11.88 302	2.36 60	21.1 536	11.06 281	2.36 60	2.03
A61-EXT2412	23.78 604	11.88 302	2.36 60	22.8 579	11.06 281	2.36 60	2.32
A11-EXT2414	23.78 604	14.68 372	2.36 60	22.8 579	13.8 351	2.36 60	2.59
A12-EXT2424	23.78 604	23.78 604	2.36 60	22.8 579	22.8 579	2.36 60	3.44

NOTE: • - Millimeters



UL/CSA listed for NEMA rating 4X with up to 5 depth extension collars

Extra Depth Versions

Fiberglass Base, Fiberglass Cover, Polyamide Extension Collar(s)

Type	Outside			Inside		
	H	W	D	h	w	d
A1-706E1	7.32 186	5.94 151	6.88 175	6.54 166	5.15 131	5.9 150
A1-706E2	7.32 186	5.94 151	8.26 210	6.54 166	5.15 131	7.28 185
A1-706E3	7.32 186	5.94 151	9.64 245	6.54 166	5.15 131	8.66 220
A1-706E4	7.32 186	5.94 151	11.02 280	6.54 166	5.15 131	10.04 255
A1-706E5	7.32 186	5.94 151	12.4 315	6.54 166	5.15 131	11.42 290
A31-1207E1	11.88 302	7.32 186	8.26 210	11.06 281	6.54 166	7.28 185
A31-1207E2	11.88 302	7.32 186	9.64 245	11.06 281	6.54 166	8.66 220
A31-1207E3	11.88 302	7.32 186	11.02 280	11.06 281	6.54 166	10.04 255
A31-1207E4	11.88 302	7.32 186	12.4 315	11.06 281	6.54 166	11.42 290
A31-1207E5	11.88 302	7.32 186	13.78 350	11.06 281	6.54 166	12.8 325
A41-1212E1	11.88 302	11.88 302	8.26 210	11.06 281	11.06 281	7.28 185
A41-1212E2	11.88 302	11.88 302	9.64 245	11.06 281	11.06 281	8.66 220
A41-1212E3	11.88 302	11.88 302	11.02 280	11.06 281	11.06 281	10.04 255
A41-1212E4	11.88 302	11.88 302	12.4 315	11.06 281	11.06 281	11.42 290
A41-1212E5	11.88 302	11.88 302	13.78 350	11.06 281	11.06 281	12.8 325
A71-1412E1	14.62 371	11.88 302	8.26 210	13.8 351	11.06 281	7.28 185
A71-1412E2	14.62 371	11.88 302	9.64 245	13.8 351	11.06 281	8.66 220
A71-1412E3	14.62 371	11.88 302	11.02 280	13.8 351	11.06 281	10.04 255
A71-1412E4	14.62 371	11.88 302	12.4 315	13.8 351	11.06 281	11.42 290
A71-1412E5	14.62 371	11.88 302	13.78 350	13.8 351	11.06 281	12.8 325

Extension collars shipped loose on screw cover versions.

Notes:

- [] - Millimeters
- Thumb screw inserts available.
- For panel selection use selection guide from basic enclosures.
- Enclosure is UL listed and CSA certified with up to 5 extensions.

Extra Depth Versions

Fiberglass Base, Fiberglass Cover, Polyamide Extension Collar(s)

Type	Outside			Inside		
	H	W	D	h	w	d
A81-2212E1	21.93 557	11.88 302	9.24 235	21.1 536	11.06 281	8.26 210
A81-2212E2	21.93 557	11.88 302	11.6 295	21.1 536	11.06 281	10.62 270
A81-2212E3	21.93 557	11.88 302	13.96 355	21.1 536	11.06 281	12.98 330
A81-2212E4	21.93 557	11.88 302	16.2 411	21.1 536	11.06 281	15.34 390
A81-2212E5	21.93 557	11.88 302	18.68 474	21.1 536	11.06 281	17.7 450
A61-2412E1	23.78 604	11.88 302	9.24 235	22.8 579	11.06 281	8.26 210
A61-2412E2	23.78 604	11.88 302	11.6 295	22.8 579	11.06 281	10.62 270
A61-2412E3	23.78 604	11.88 302	13.96 355	22.8 579	11.06 281	12.98 330
A61-2412E4	23.78 604	11.88 302	16.2 411	22.8 579	11.06 281	15.34 390
A61-2412E5	23.78 604	11.88 302	18.68 474	22.8 579	11.06 281	17.7 450
A11-2414E1	23.78 604	14.68 372	9.24 235	22.8 579	13.8 351	8.26 210
A11-2414E2	23.78 604	14.68 372	11.6 295	22.8 579	13.8 351	10.62 270
A11-2414E3	23.78 604	14.68 372	13.96 355	22.8 579	13.8 351	12.98 330
A11-2414E4	23.78 604	14.68 372	16.2 411	22.8 579	13.8 351	15.34 390
A11-2414E5	23.78 604	14.68 372	18.68 474	22.8 579	13.8 351	17.7 450
A12-2424E1	23.78 604	23.78 604	9.24 235	22.8 579	22.8 579	8.26 210
A12-2424E2	23.78 604	23.78 604	11.6 295	22.8 579	22.8 579	10.62 270
A12-2424E3	23.78 604	23.78 604	13.96 355	22.8 579	22.8 579	12.98 330
A12-2424E4	23.78 604	23.78 604	16.2 411	22.8 579	22.8 579	15.34 390
A12-2424E5	23.78 604	23.78 604	18.68 474	22.8 579	22.8 579	17.7 450

Extension collars shipped loose on screw cover versions.

Notes:

- [] - Millimeters
- Thumb screw inserts available.
- For panel selection use selection guide from basic enclosures.
- Enclosure is UL listed and CSA certified with up to 5 extensions.

Extra Depth Versions

Fiberglass Base, Fiberglass Cover, Polyamide Extension Collar(s) with non-metallic Hinges

Type	Outside			Inside		
	H	W	D	h	w	d
A1-706E1H	7.32	5.94	6.88	6.54	5.15	5.9
	186	151	175	166	131	150
A1-706E2H	7.32	5.94	8.26	6.54	5.15	7.28
	186	151	210	166	131	185
A1-706E3H	7.32	5.94	9.64	6.54	5.15	8.66
	186	151	245	166	131	220
A1-706E4H	7.32	5.94	11.02	6.54	5.15	10.04
	186	151	280	166	131	255
A1-706E5H	7.32	5.94	12.4	6.54	5.15	11.42
	186	151	315	166	131	290
A31-1207E1H	11.88	7.32	8.26	11.06	6.54	7.28
	302	186	210	281	166	185
A31-1207E2H	11.88	7.32	9.64	11.06	6.54	8.66
	302	186	245	281	166	220
A31-1207E3H	11.88	7.32	11.02	11.06	6.54	10.04
	302	186	280	281	166	255
A31-1207E4H	11.88	7.32	12.4	11.06	6.54	11.42
	302	186	315	281	166	290
A31-1207E5H	11.88	7.32	13.78	11.06	6.54	12.8
	302	186	350	281	166	325
A41-1212E1H	11.88	11.88	8.26	11.06	11.06	7.28
	302	302	210	281	281	185
A41-1212E2H	11.88	11.88	9.64	11.06	11.06	8.66
	302	302	245	281	281	220
A41-1212E3H	11.88	11.88	11.02	11.06	11.06	10.04
	302	302	280	281	281	255
A41-1212E4H	11.88	11.88	12.4	11.06	11.06	11.42
	302	302	315	281	281	290
A41-1212E5H	11.88	11.88	13.78	11.06	11.06	12.8
	302	302	350	281	281	325
A71-1412E1H	14.62	11.88	8.26	13.8	11.06	7.28
	371	302	210	351	281	185
A71-1412E2H	14.62	11.88	9.64	13.8	11.06	8.66
	371	302	245	351	281	220
A71-1412E3H	14.62	11.88	11.02	13.8	11.06	10.04
	371	302	280	351	281	255
A71-1412E4H	14.62	11.88	12.4	13.8	11.06	11.42
	371	302	315	351	281	290
A71-1412E5H	14.62	11.88	13.78	13.8	11.06	12.8
	371	302	350	351	281	325

Extension collars shipped loose on screw cover versions.

Notes:

- [] - Millimeters
- Thumb screw inserts available.
- Standard hinges are non-metallic, 2 per enclosure.
A12 enclosure requires 4 hinges. Suffix "H"
- For panel selection use selection guide from basic enclosures.
- Enclosure is UL listed and CSA certified with up to 5 extensions.

Extra Depth Versions

Fiberglass Base, Fiberglass Cover, Polyamide Extension Collar(s) with non-metallic Hinges

Type	Outside			Inside		
	H	W	D	h	w	d
A81-2212E1H	21.93	11.88	10.63	21.1	11.06	9.65
	557	302	270	536	281	245
A81-2212E2H	21.93	11.88	12.99	21.1	11.06	12.01
	557	302	330	536	281	305
A81-2212E3H	21.93	11.88	15.35	21.1	11.06	14.37
	557	302	390	536	281	365
A81-2212E4H	21.93	11.88	17.71	21.1	11.06	16.73
	557	302	450	536	281	425
A81-2212E5H	21.93	11.88	20.07	21.1	11.06	19.09
	557	302	510	536	281	485
A61-2412E1H	23.78	11.88	10.63	22.8	11.06	9.65
	604	302	270	579	281	245
A61-2412E2H	23.78	11.88	12.99	22.8	11.06	12.01
	604	302	330	579	281	305
A61-2412E3H	23.78	11.88	15.35	22.8	11.06	14.37
	604	302	390	579	281	365
A61-2412E4H	23.78	11.88	17.71	22.8	11.06	16.73
	604	302	450	579	281	425
A61-2412E5H	23.78	11.88	20.07	22.8	11.06	19.09
	604	302	510	579	281	485
A11-2414E1H	23.78	14.68	10.63	22.8	13.8	9.65
	604	372	270	579	351	245
A11-2414E2H	23.78	14.68	12.99	22.8	13.8	12.01
	604	372	330	579	351	305
A11-2414E3H	23.78	14.68	15.35	22.8	13.8	14.37
	604	372	390	579	351	365
A11-2414E4H	23.78	14.68	17.71	22.8	13.8	16.73
	604	372	450	579	351	425
A11-2414E5H	23.78	14.68	20.07	22.8	13.8	19.09
	604	372	510	579	351	485
A12-2424E1H	23.78	23.78	10.63	22.8	22.8	9.65
	604	604	270	579	579	245
A12-2424E2H	23.78	23.78	12.99	22.8	22.8	12.01
	604	604	330	579	579	305
A12-2424E3H	23.78	23.78	15.35	22.8	22.8	14.37
	604	604	390	579	579	365
A12-2424E4H	23.78	23.78	17.71	22.8	22.8	16.73
	604	604	450	579	579	425
A12-2424E5H	23.78	23.78	20.07	22.8	22.8	19.09
	604	604	510	579	579	485

Extension collars shipped loose on screw cover versions.

Notes:

- [] - Millimeters
- Thumb screw inserts available.
- Standard hinges are non-metallic, 2 per enclosure.
A12 enclosure requires 4 hinges. Suffix "H"
- For panel selection use selection guide from basic enclosures.
- Enclosure is UL listed and CSA certified with up to 5 extensions.

Extra Depth Versions

Fiberglass Base, Fiberglass Cover, Polyamide Extension Collar(s), non-metallic Hinges & SS Latches

Type	Outside			Inside		
	H	W	D	h	w	d
A1-706E1HPL2	7.32	5.94	6.88	6.54	5.15	5.9
	186	151	175	166	131	150
A1-706E2HPL2	7.32	5.94	8.26	6.54	5.15	7.28
	186	151	210	166	131	185
A1-706E3HPL2	7.32	5.94	9.64	6.54	5.15	8.66
	186	151	245	166	131	220
A1-706E4HPL2	7.32	5.94	11.02	6.54	5.15	10.04
	186	151	280	166	131	255
A1-706E5HPL2	7.32	5.94	12.4	6.54	5.15	11.42
	186	151	315	166	131	290
A31-1207E1HPL2	11.88	7.32	8.26	11.06	6.54	7.28
	302	186	210	281	166	185
A31-1207E2HPL2	11.88	7.32	9.64	11.06	6.54	8.66
	302	186	245	281	166	220
A31-1207E3HPL2	11.88	7.32	11.02	11.06	6.54	10.04
	302	186	280	281	166	255
A31-1207E4HPL2	11.88	7.32	12.4	11.06	6.54	11.42
	302	186	315	281	166	290
A31-1207E5HPL2	11.88	7.32	13.78	11.06	6.54	12.8
	302	186	350	281	166	325
A41-1212E1HPL2	11.88	11.88	8.26	11.06	11.06	7.28
	302	302	210	281	281	185
A41-1212E2HPL2	11.88	11.88	9.64	11.06	11.06	8.66
	302	302	245	281	281	220
A41-1212E3HPL2	11.88	11.88	11.02	11.06	11.06	10.04
	302	302	280	281	281	255
A41-1212E4HPL2	11.88	11.88	12.4	11.06	11.06	11.42
	302	302	315	281	281	290
A41-1212E5HPL2	11.88	11.88	13.78	11.06	11.06	12.8
	302	302	350	281	281	325
A71-1412E1HPL2	14.62	11.88	8.26	13.8	11.06	7.28
	371	302	210	351	281	185
A71-1412E2HPL2	14.62	11.88	9.64	13.8	11.06	8.66
	371	302	245	351	281	220
A71-1412E3HPL2	14.62	11.88	11.02	13.8	11.06	10.04
	371	302	280	351	281	255
A71-1412E4HPL2	14.62	11.88	12.4	13.8	11.06	11.42
	371	302	315	351	281	290
A71-1412E5HPL2	14.62	11.88	13.78	13.8	11.06	12.8
	371	302	350	351	281	325

Extension collars shipped loose on screw cover versions.

Notes:

- [] - Millimeters
- Thumb screw inserts available.
- Standard hinges are non-metallic, 2 per enclosure. A12 enclosure requires 4 hinges. Suffix "H"
- Latched versions not double insulated.
- For panel selection use selection guide from basic enclosures.
- Twist latches have padlockable feature as standard. Suffix "HPL"
- Enclosure is UL listed and CSA certified with up to 5 extensions.

Extra Depth Versions

Fiberglass Base, Fiberglass Cover, Polyamide Extension Collar(s), non-metallic Hinges & SS Latches

Type	Outside			Inside		
	H	W	D	h	w	d
A81-2212E1HPL1	21.93	11.88	10.63	21.1	11.06	9.65
	557	302	270	536	281	245
A81-2212E2HPL1	21.93	11.88	12.99	21.1	11.06	12.01
	557	302	330	536	281	305
A81-2212E3HPL1	21.93	11.88	15.35	21.1	11.06	14.37
	557	302	390	536	281	365
A81-2212E4HPL1	21.93	11.88	17.71	21.1	11.06	16.73
	557	302	450	536	281	425
A81-2212E5HPL1	21.93	11.88	20.07	21.1	11.06	19.09
	557	302	510	536	281	485
A61-2412E1HPL2	23.78	11.88	10.63	22.8	11.06	9.65
	604	302	270	579	281	245
A61-2412E2HPL2	23.78	11.88	12.99	22.8	11.06	12.01
	604	302	330	579	281	305
A61-2412E3HPL2	23.78	11.88	15.35	22.8	11.06	14.37
	604	302	390	579	281	365
A61-2412E4HPL2	23.78	11.88	17.71	22.8	11.06	16.73
	604	302	450	579	281	425
A61-2412E5HPL2	23.78	11.88	20.07	22.8	11.06	19.09
	604	302	510	579	281	485
A11-2414E1HPL2	23.78	14.68	10.63	22.8	13.8	9.65
	604	372	270	579	351	245
A11-2414E2HPL2	23.78	14.68	12.99	22.8	13.8	12.01
	604	372	330	579	351	305
A11-2414E3HPL2	23.78	14.68	15.35	22.8	13.8	14.37
	604	372	390	579	351	365
A11-2414E4HPL2	23.78	14.68	17.71	22.8	13.8	16.73
	604	372	450	579	351	425
A11-2414E5HPL2	23.78	14.68	20.07	22.8	13.8	19.09
	604	372	510	579	351	485
A12-2424E1HPL2	23.78	23.78	10.63	22.8	22.8	9.65
	604	604	270	579	579	245
A12-2424E2HPL2	23.78	23.78	12.99	22.8	22.8	12.01
	604	604	330	579	579	305
A12-2424E3HPL2	23.78	23.78	15.35	22.8	22.8	14.37
	604	604	390	579	579	365
A12-2424E4HPL2	23.78	23.78	17.71	22.8	22.8	16.73
	604	604	450	579	579	425
A12-2424E5HPL2	23.78	23.78	20.07	22.8	22.8	19.09
	604	604	510	579	579	485

Extension collars shipped loose on screw cover versions.

Notes:

- [] - Millimeters
- Thumb screw inserts available.
- Standard hinges are non-metallic, 2 per enclosure. A12 enclosure requires 4 hinges. Suffix "H"
- Latched versions not double insulated.
- For panel selection use selection guide from basic enclosures.
- Twist latches have padlockable feature as standard. Suffix "HPL"
- Enclosure is UL listed and CSA certified with up to 5 extensions.

Extra Depth Versions

Fiberglass Base, Clear Polycarbonate Cover, Polyamide Extension Collar(s), Screw Cover

Type	Outside			Inside		
	H	W	D	h	w	d
A1-706E1CT	7.32 186	5.94 151	6.88 175	6.54 166	5.15 131	5.9 150
A1-706E2CT	7.32 186	5.94 151	8.26 210	6.54 166	5.15 131	7.28 185
A1-706E3CT	7.32 186	5.94 151	9.64 245	6.54 166	5.15 131	8.66 220
A1-706E4CT	7.32 186	5.94 151	11.02 280	6.54 166	5.15 131	10.04 255
A1-706E5CT	7.32 186	5.94 151	12.4 315	6.54 166	5.15 131	11.42 290
A31-1207E1CT	11.88 302	7.32 186	8.26 210	11.06 281	6.54 166	7.28 185
A31-1207E2CT	11.88 302	7.32 186	9.64 245	11.06 281	6.54 166	8.66 220
A31-1207E3CT	11.88 302	7.32 186	11.02 280	11.06 281	6.54 166	10.04 255
A31-1207E4CT	11.88 302	7.32 186	12.4 315	11.06 281	6.54 166	11.42 290
A31-1207E5CT	11.88 302	7.32 186	13.78 350	11.06 281	6.54 166	12.8 325
A41-1212E1CT	11.88 302	11.88 302	8.26 210	11.06 281	11.06 281	7.28 185
A41-1212E2CT	11.88 302	11.88 302	9.64 245	11.06 281	11.06 281	8.66 220
A41-1212E3CT	11.88 302	11.88 302	11.02 280	11.06 281	11.06 281	10.04 255
A41-1212E4CT	11.88 302	11.88 302	12.4 315	11.06 281	11.06 281	11.42 290
A41-1212E5CT	11.88 302	11.88 302	13.78 350	11.06 281	11.06 281	12.8 325
A71-1412E1CT	14.62 371	11.88 302	8.26 210	13.8 351	11.06 281	7.28 185
A71-1412E2CT	14.62 371	11.88 302	9.64 245	13.8 351	11.06 281	8.66 220
A71-1412E3CT	14.62 371	11.88 302	11.02 280	13.8 351	11.06 281	10.04 255
A71-1412E4CT	14.62 371	11.88 302	12.4 315	13.8 351	11.06 281	11.42 290
A71-1412E5CT	14.62 371	11.88 302	13.78 350	13.8 351	11.06 281	12.8 325

Extension collars shipped loose on screw cover versions.

Notes:

- - Millimeters
Thumb screw inserts available.
- For panel selection use selection guide from basic enclosures.
- Enclosure is UL listed and CSA certified with up to 5 extensions.

Extra Depth Versions

Fiberglass Base, Clear Polycarbonate Cover, Polyamide Extension Collar(s), Screw Cover

Type	Outside			Inside		
	H	W	D	h	w	d
A81-2212E1CT	21.93 557	11.88 302	10.63 270	21.1 536	11.06 281	9.65 245
A81-2212E2CT	21.93 557	11.88 302	12.99 330	21.1 536	11.06 281	12.01 305
A81-2212E3CT	21.93 557	11.88 302	15.35 390	21.1 536	11.06 281	14.37 365
A81-2212E4CT	21.93 557	11.88 302	17.71 450	21.1 536	11.06 281	16.73 425
A81-2212E5CT	21.93 557	11.88 302	20.07 510	21.1 536	11.06 281	19.09 485
A61-2412E1CT	23.78 604	11.88 302	10.63 270	22.8 579	11.06 281	9.65 245
A61-2412E2CT	23.78 604	11.88 302	12.99 330	22.8 579	11.06 281	12.01 305
A61-2412E3CT	23.78 604	11.88 302	15.35 390	22.8 579	11.06 281	14.37 365
A61-2412E4CT	23.78 604	11.88 302	17.71 450	22.8 579	11.06 281	16.73 425
A61-2412E5CT	23.78 604	11.88 302	20.07 510	22.8 579	11.06 281	19.09 485
A11-2414E1CT	23.78 604	14.68 372	10.63 270	22.8 579	13.8 351	9.65 245
A11-2414E2CT	23.78 604	14.68 372	12.99 330	22.8 579	13.8 351	12.01 305
A11-2414E3CT	23.78 604	14.68 372	15.35 390	22.8 579	13.8 351	14.37 365
A11-2414E4CT	23.78 604	14.68 372	17.71 450	22.8 579	13.8 351	16.73 425
A11-2414E5CT	23.78 604	14.68 372	20.07 510	22.8 579	13.8 351	19.09 485
A12-2424E1CT	23.78 604	23.78 604	10.63 270	22.8 579	22.8 579	9.65 245
A12-2424E2CT	23.78 604	23.78 604	12.99 330	22.8 579	22.8 579	12.01 305
A12-2424E3CT	23.78 604	23.78 604	15.35 390	22.8 579	22.8 579	14.37 365
A12-2424E4CT	23.78 604	23.78 604	17.71 450	22.8 579	22.8 579	16.73 425
A12-2424E5CT	23.78 604	23.78 604	20.07 510	22.8 579	22.8 579	19.09 485

Extension collars shipped loose on screw cover versions.

Notes:

- - Millimeters
Thumb screw inserts available.
- For panel selection use selection guide from basic enclosures.
- Enclosure is UL listed and CSA certified with up to 5 extensions.

Extra Depth Versions

Fiberglass Base, Clear Polycarbonate Cover, Polyamide Extension Collar(s) with non-metallic Hinges

Type	Outside		Inside	
	H	W	h	w
A1-706E1CTH	7.32	5.94	6.54	5.15
	186	151	166	131
A1-706E2CTH	7.32	5.94	6.54	5.15
	186	151	166	131
A1-706E3CTH	7.32	5.94	6.54	5.15
	186	151	166	131
A1-706E4CTH	7.32	5.94	6.54	5.15
	186	151	166	131
A1-706E5CTH	7.32	5.94	6.54	5.15
	186	151	166	131
A31-1207E1CTH	11.88	7.32	11.06	6.54
	302	186	281	166
A31-1207E2CTH	11.88	7.32	11.06	6.54
	302	186	281	166
A31-1207E3CTH	11.88	7.32	11.06	6.54
	302	186	281	166
A31-1207E4CTH	11.88	7.32	11.06	6.54
	302	186	281	166
A31-1207E5CTH	11.88	7.32	11.06	6.54
	302	186	281	166
A41-1212E1CTH	11.88	11.88	11.06	11.06
	302	302	281	281
A41-1212E2CTH	11.88	11.88	11.06	11.06
	302	302	281	281
A41-1212E3CTH	11.88	11.88	11.06	11.06
	302	302	281	281
A41-1212E4CTH	11.88	11.88	11.06	11.06
	302	302	281	281
A41-1212E5CTH	11.88	11.88	11.06	11.06
	302	302	281	281
A71-1412E1CTH	14.62	11.88	13.8	11.06
	371	302	351	281
A71-1412E2CTH	14.62	11.88	13.8	11.06
	371	302	351	281
A71-1412E3CTH	14.62	11.88	13.8	11.06
	371	302	351	281
A71-1412E4CTH	14.62	11.88	13.8	11.06
	371	302	351	281
A71-1412E5CTH	14.62	11.88	13.8	11.06
	371	302	351	281

Extension collars shipped loose on screw cover versions.

Notes:

- - Millimeters
- Thumb screw inserts available.
- Standard hinges are non-metallic, 2 per enclosure.
A12 enclosure requires 4 hinges. Suffix "H"
- For panel selection use selection guide from basic enclosures.
- Enclosure is UL listed and CSA certified with up to 5 extensions.

Extra Depth Versions

Fiberglass Base, Clear Polycarbonate Cover, Polyamide Extension Collar(s) with non-metallic Hinges

Type	Outside			Inside		
	H	W	D	h	w	d
A81-2212E1CTH	21.93	11.88	10.63	21.1	11.06	9.65
	557	302	270	536	281	245
A81-2212E2CTH	21.93	11.88	12.99	21.1	11.06	12.01
	557	302	330	536	281	305
A81-2212E3CTH	21.93	11.88	15.35	21.1	11.06	14.37
	557	302	390	536	281	365
A81-2212E4CTH	21.93	11.88	17.71	21.1	11.06	16.73
	557	302	450	536	281	425
A81-2212E5CTH	21.93	11.88	20.07	21.1	11.06	19.09
	557	302	510	536	281	485
A61-2412E1CTH	23.78	11.88	10.63	22.8	11.06	9.65
	604	302	270	579	281	245
A61-2412E2CTH	23.78	11.88	12.99	22.8	11.06	12.01
	604	302	330	579	281	305
A61-2412E3CTH	23.78	11.88	15.35	22.8	11.06	14.37
	604	302	390	579	281	365
A61-2412E4CTH	23.78	11.88	17.71	22.8	11.06	16.73
	604	302	450	579	281	425
A61-2412E5CTH	23.78	11.88	20.07	22.8	11.06	19.09
	604	302	510	579	281	485
A11-2414E1CTH	23.78	14.68	10.63	22.8	13.8	9.65
	604	372	270	579	351	245
A11-2414E2CTH	23.78	14.68	12.99	22.8	13.8	12.01
	604	372	330	579	351	305
A11-2414E3CTH	23.78	14.68	15.35	22.8	13.8	14.37
	604	372	390	579	351	365
A11-2414E4CTH	23.78	14.68	17.71	22.8	13.8	16.73
	604	372	450	579	351	425
A11-2414E5CTH	23.78	14.68	20.07	22.8	13.8	19.09
	604	372	510	579	351	485
A12-2424E1CTH	23.78	23.78	10.63	22.8	22.8	9.65
	604	604	270	579	579	245
A12-2424E2CTH	23.78	23.78	12.99	22.8	22.8	12.01
	604	604	330	579	579	305
A12-2424E3CTH	23.78	23.78	15.35	22.8	22.8	14.37
	604	604	390	579	579	365
A12-2424E4CTH	23.78	23.78	17.71	22.8	22.8	16.73
	604	604	450	579	579	425
A12-2424E5CTH	23.78	23.78	20.07	22.8	22.8	19.09
	604	604	510	579	579	485

Extension collars shipped loose on screw cover versions.

Notes:

- - Millimeters
- Thumb screw inserts available.
- Standard hinges are non-metallic, 2 per enclosure.
A12 enclosure requires 4 hinges. Suffix "H"
- For panel selection use selection guide from basic enclosures.
- Enclosure is UL listed and CSA certified with up to 5 extensions.

Extra Depth Versions

Fiberglass Base, Clear Polycarbonate Cover, Polyamide Extension Collar(s), non-metallic Hinges & SS Latches

Type	Outside			Inside		
	H	W	D	h	w	d
A1-706E1CTHPL1	7.32	5.94	6.88	6.54	5.15	5.9
	186	151	175	166	131	150
A1-706E2CTHPL1	7.32	5.94	8.26	6.54	5.15	7.28
	186	151	210	166	131	185
A1-706E3CTHPL1	7.32	5.94	9.64	6.54	5.15	8.66
	186	151	245	166	131	220
A1-706E4CTHPL1	7.32	5.94	11.02	6.54	5.15	10.04
	186	151	280	166	131	255
A1-706E5CTHPL1	7.32	5.94	12.4	6.54	5.15	11.42
	186	151	315	166	131	290
A31-1207E1CTHPL2	11.88	7.32	8.26	11.06	6.54	7.28
	302	186	210	281	166	185
A31-1207E2CTHPL2	11.88	7.32	9.64	11.06	6.54	8.66
	302	186	245	281	166	220
A31-1207E3CTHPL2	11.88	7.32	11.02	11.06	6.54	10.04
	302	186	280	281	166	255
A31-1207E4CTHPL2	11.88	7.32	12.4	11.06	6.54	11.42
	302	186	315	281	166	290
A31-1207E5CTHPL2	11.88	7.32	13.78	11.06	6.54	12.8
	302	186	350	281	166	325
A41-1212E1CTHPL2	11.88	11.88	8.26	11.06	11.06	7.28
	302	302	210	281	281	185
A41-1212E2CTHPL2	11.88	11.88	9.64	11.06	11.06	8.66
	302	302	245	281	281	220
A41-1212E3CTHPL2	11.88	11.88	11.02	11.06	11.06	10.04
	302	302	280	281	281	255
A41-1212E4CTHPL2	11.88	11.88	12.4	11.06	11.06	11.42
	302	302	315	281	281	290
A41-1212E5CTHPL2	11.88	11.88	13.78	11.06	11.06	12.8
	302	302	350	281	281	325
A71-1412E1CTHPL2	14.62	11.88	8.26	13.8	11.06	7.28
	371	302	210	351	281	185
A71-1412E2CTHPL2	14.62	11.88	9.64	13.8	11.06	8.66
	371	302	245	351	281	220
A71-1412E3CTHPL2	14.62	11.88	11.02	13.8	11.06	10.04
	371	302	280	351	281	255
A71-1412E4CTHPL2	14.62	11.88	12.4	13.8	11.06	11.42
	371	302	315	351	281	290
A71-1412E5CTHPL2	14.62	11.88	13.78	13.8	11.06	12.8
	371	302	350	351	281	325

Extension collars shipped loose on screw cover versions.

Notes:

- [] - Millimeters
- Thumb screw inserts available.
- Standard hinges are non-metallic, 2 per enclosure. A12 enclosure requires 4 hinges. Suffix "H"
- Latched versions not double insulated.
- For panel selection use selection guide from basic enclosures.
- Twist latches have padlockable feature as standard. Suffix "HPL"
- Enclosure is UL listed and CSA certified with up to 5 extensions.

Extra Depth Versions

Fiberglass Base, Clear Polycarbonate Cover, Polyamide Extension Collar(s), non-metallic Hinges & SS Latches

Type	Outside			Inside		
	H	W	D	h	w	d
A81-2212E1CTHPL2	21.93	11.88	10.63	21.1	11.06	9.65
	557	302	270	536	281	245
A81-2212E2CTHPL2	21.93	11.88	12.99	21.1	11.06	12.01
	557	302	330	536	281	305
A81-2212E3CTHPL2	21.93	11.88	15.35	21.1	11.06	14.37
	557	302	390	536	281	365
A81-2212E4CTHPL2	21.93	11.88	17.71	21.1	11.06	16.73
	557	302	450	536	281	425
A81-2212E5CTHPL2	21.93	11.88	20.07	21.1	11.06	19.09
	557	302	510	536	281	485
A61-2412E1CTHPL2	23.78	11.88	10.63	22.8	11.06	9.65
	604	302	270	579	281	245
A61-2412E2CTHPL2	23.78	11.88	12.99	22.8	11.06	12.01
	604	302	330	579	281	305
A61-2412E3CTHPL2	23.78	11.88	15.35	22.8	11.06	14.37
	604	302	390	579	281	365
A61-2412E4CTHPL2	23.78	11.88	17.71	22.8	11.06	16.73
	604	302	450	579	281	425
A61-2412E5CTHPL2	23.78	11.88	20.07	22.8	11.06	19.09
	604	302	510	579	281	485
A11-2414E1CTHPL2	23.78	14.68	10.63	22.8	13.8	9.65
	604	372	270	579	351	245
A11-2414E2CTHPL2	23.78	14.68	12.99	22.8	13.8	12.01
	604	372	330	579	351	305
A11-2414E3CTHPL2	23.78	14.68	15.35	22.8	13.8	14.37
	604	372	390	579	351	365
A11-2414E4CTHPL2	23.78	14.68	17.71	22.8	13.8	16.73
	604	372	450	579	351	425
A11-2414E5CTHPL2	23.78	14.68	20.07	22.8	13.8	19.09
	604	372	510	579	351	485
A12-2424E1CTHPL2	23.78	23.78	10.63	22.8	22.8	9.65
	604	604	270	579	579	245
A12-2424E2CTHPL2	23.78	23.78	12.99	22.8	22.8	12.01
	604	604	330	579	579	305
A12-2424E3CTHPL2	23.78	23.78	15.35	22.8	22.8	14.37
	604	604	390	579	579	365
A12-2424E4CTHPL2	23.78	23.78	17.71	22.8	22.8	16.73
	604	604	450	579	579	425
A12-2424E5CTHPL2	23.78	23.78	20.07	22.8	22.8	19.09
	604	604	510	579	579	485

Extension collars shipped loose on screw cover versions.

Notes:

- [] - Millimeters
- Thumb screw inserts available.
- Standard hinges are non-metallic, 2 per enclosure. A12 enclosure requires 4 hinges. Suffix "H"
- Latched versions not double insulated.
- For panel selection use selection guide from basic enclosures.
- Twist latches have padlockable feature as standard. Suffix "HPL"
- Enclosure is UL listed and CSA certified with up to 5 extensions.

Extra Depth Versions

Fiberglass Base, Clear Hinged Door in Fiberglass Cover Frame with Extension Collar(s)

Type	Outside			Inside		
	H	W	D	h	w	d
A31-1207E1DT	11.88	7.32	8.26	11.06	6.54	7.28
	302	186	210	281	166	185
A31-1207E2DT	11.88	7.32	9.64	11.06	6.54	8.66
	302	186	245	281	166	220
A31-1207E3DT	11.88	7.32	11.02	11.06	6.54	10.04
	302	186	280	281	166	255
A31-1207E4DT	11.88	7.32	12.4	11.06	6.54	11.42
	302	186	315	281	166	290
A31-1207E5DT	11.88	7.32	13.78	11.06	6.54	12.8
	302	186	350	281	166	325
A41-1212E1DT	11.88	11.88	8.26	11.06	11.06	7.28
	302	302	210	281	281	185
A41-1212E2DT	11.88	11.88	9.64	11.06	11.06	8.66
	302	302	245	281	281	220
A41-1212E3DT	11.88	11.88	11.02	11.06	11.06	10.04
	302	302	280	281	281	255
A41-1212E4DT	11.88	11.88	12.4	11.06	11.06	11.42
	302	302	315	281	281	290
A41-1212E5DT	11.88	11.88	13.78	11.06	11.06	12.8
	302	302	350	281	281	325
A71-1412E1DT	14.62	11.88	8.26	13.8	11.06	7.28
	371	302	210	351	281	185
A71-1412E2DT	14.62	11.88	9.64	13.8	11.06	8.66
	371	302	245	351	281	220
A71-1412E3DT	14.62	11.88	11.02	13.8	11.06	10.04
	371	302	280	351	281	255
A71-1412E4DT	14.62	11.88	12.4	13.8	11.06	11.42
	371	302	315	351	281	290
A71-1412E5DT	14.62	11.88	13.78	13.8	11.06	12.8
	371	302	350	351	281	325
A61-2412E1DT	23.78	11.88	9.24	22.8	11.06	8.26
	604	302	235	579	281	210
A61-2412E2DT	23.78	11.88	11.6	22.8	11.06	10.62
	604	302	295	579	281	270
A61-2412E3DT	23.78	11.88	13.96	22.8	11.06	12.98
	604	302	355	579	281	330
A61-2412E4DT	23.78	11.88	16.2	22.8	11.06	15.34
	604	302	411	579	281	390
A61-2412E5DT	23.78	11.88	18.68	22.8	11.06	17.7
	604	302	474	579	281	450

Extension collars shipped loose on screw cover versions.

Notes:

- - Millimeters
- Thumb screw inserts available.
- For panel selection use selection guide from basic enclosures.
- Enclosure is UL listed and CSA certified with up to 5 extensions.

Extra Depth Versions

Fiberglass Base, Clear Hinged Door in Fiberglass Cover Frame
Polyamide Extension Collar(s) with SS Hinges

Type	Outside			Inside		
	H	W	D	h	w	d
A31-1207E1DTH	11.88	7.32	8.26	11.06	6.54	7.28
	302	186	210	281	166	185
A31-1207E2DTH	11.88	7.32	9.64	11.06	6.54	8.66
	302	186	245	281	166	220
A31-1207E3DTH	11.88	7.32	11.02	11.06	6.54	10.04
	302	186	280	281	166	255
A31-1207E4DTH	11.88	7.32	12.4	11.06	6.54	11.42
	302	186	315	281	166	290
A31-1207E5DTH	11.88	7.32	13.78	11.06	6.54	12.8
	302	186	350	281	166	325
A41-1212E1DTH	11.88	11.88	8.26	11.06	11.06	7.28
	302	302	210	281	281	185
A41-1212E2DTH	11.88	11.88	9.64	11.06	11.06	8.66
	302	302	245	281	281	220
A41-1212E3DTH	11.88	11.88	11.02	11.06	11.06	10.04
	302	302	280	281	281	255
A41-1212E4DTH	11.88	11.88	12.4	11.06	11.06	11.42
	302	302	315	281	281	290
A41-1212E5DTH	11.88	11.88	13.78	11.06	11.06	12.8
	302	302	350	281	281	325
A71-1412E1DTH	14.62	11.88	8.26	13.8	11.06	7.28
	371	302	210	351	281	185
A71-1412E2DTH	14.62	11.88	9.64	13.8	11.06	8.66
	371	302	245	351	281	220
A71-1412E3DTH	14.62	11.88	11.02	13.8	11.06	10.04
	371	302	280	351	281	255
A71-1412E4DTH	14.62	11.88	12.4	13.8	11.06	11.42
	371	302	315	351	281	290
A71-1412E5DTH	14.62	11.88	13.78	13.8	11.06	12.8
	371	302	350	351	281	325
A61-2412E1DTH	23.78	11.88	9.24	22.8	11.06	8.26
	604	302	235	579	281	210
A61-2412E2DTH	23.78	11.88	11.6	22.8	11.06	10.62
	604	302	295	579	281	270
A61-2412E3DTH	23.78	11.88	13.96	22.8	11.06	12.98
	604	302	355	579	281	330
A61-2412E4DTH	23.78	11.88	16.2	22.8	11.06	15.34
	604	302	411	579	281	390
A61-2412E5DTH	23.78	11.88	18.68	22.8	11.06	17.7
	604	302	474	579	281	450

Extension collars shipped loose on screw cover versions.

Notes:

- - Millimeters
- Thumb screw inserts available.
- For panel selection use selection guide from basic enclosures.
- Enclosure is UL listed and CSA certified with up to 5 extensions.

NEMA 4x Combination Starters & Disconnects

Vynckier introduces a new line of non-metallic Circuit Breaker and Motor Starter Enclosures for use in hostile and weather-proof applications requiring circuit protection and equipment control. Ideal for use in most petro-chemical plants, sewage plants and electroplating plants.

ENCLOSURE STRENGTH & DURABILITY

Enclosures are manufactured from hot compressed molded fiberglass reinforced polyester (FRP).

FRP is a complex composite material consisting of a polyester resin base, with organic fillers to facilitate flow and to obtain special physical characteristics such as UV resistance, halogen-free and self-extinguishing properties. Additional additives are used to provide for proper consistency and pigmentation of the resin base

Glass fibers, which make up 25 percent of the overall compound, are sandwiched between two layers of the polyester resin and are impregnated into the resin base by an elaborate roller system. This produces a very uniform, high strength material.

Vynckier enclosures are lightweight, durable, watertight and non-corroding, providing an alternative to metal boxes.

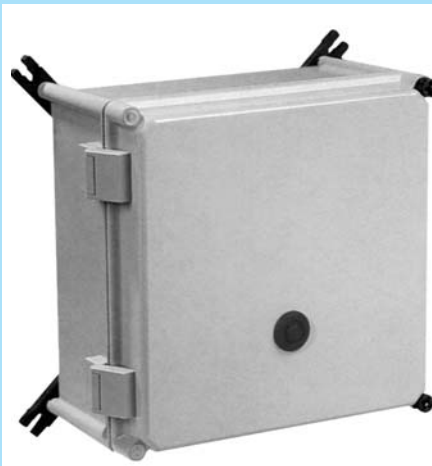
TECHNICAL PROPERTIES:

- Tensile Strength 13-15000
- PSIFlexural Strength 23-26000
- PSICompression Strength 17-20000
- PSIDielectric Strength 467 Volts/mi
- Outdoor Life Exceeds 25 years
- Flammability Self-extinguishing UL 94

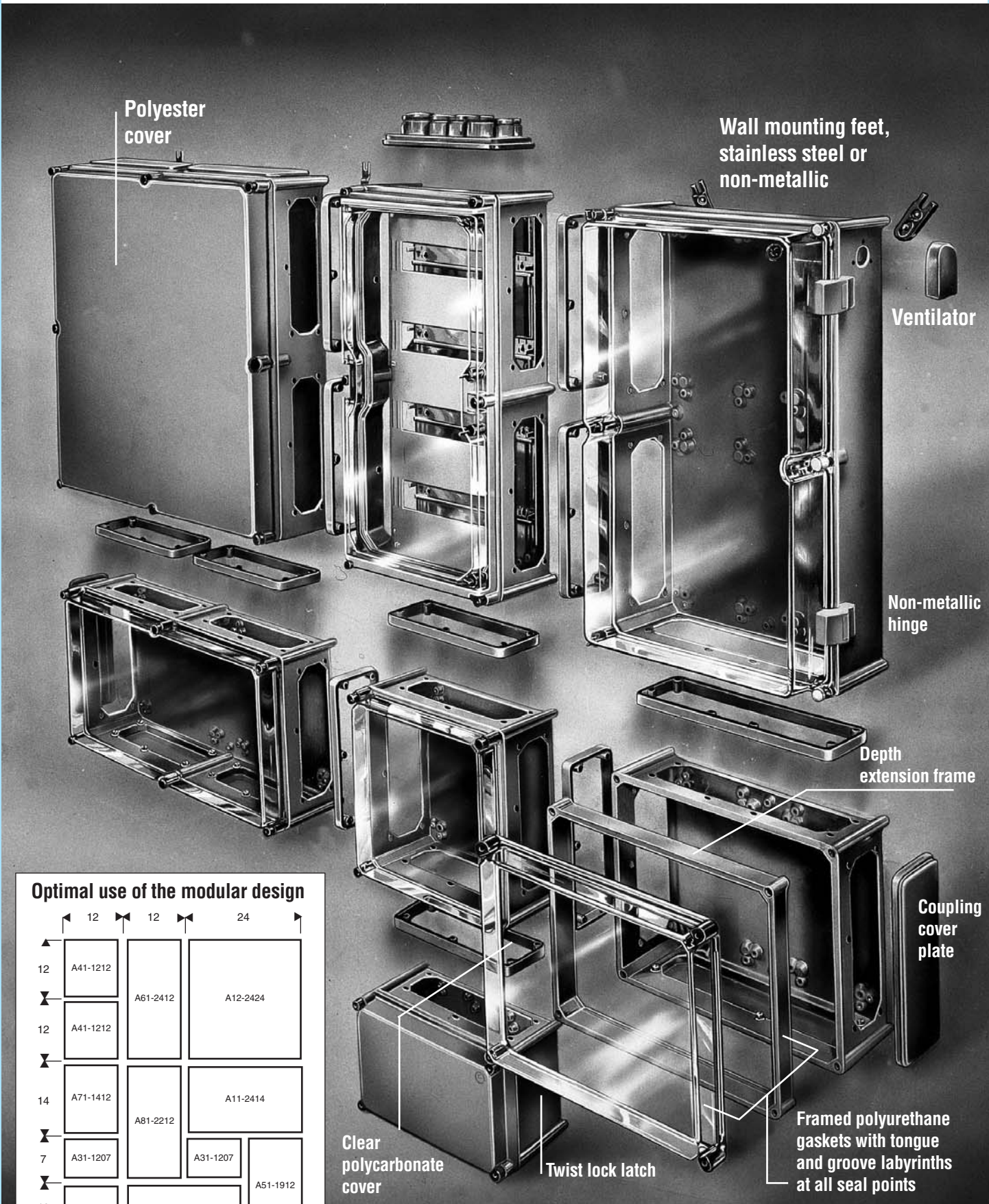
COMPLIANCES:

- NEMA 3, 3R, 4, 4x AND 12
- UL Standard: 508

* Consult factory for details



Modular panel building



Optimal use of the modular design

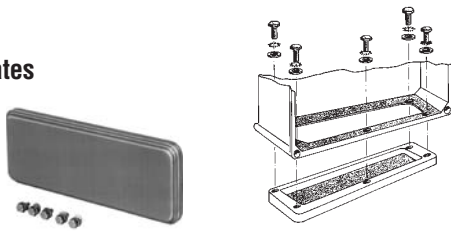
	12	12	24
12	A41-1212	A61-2412	A12-2424
12	A41-1212		
14	A71-1412	A81-2212	A11-2414
7	A31-1207		
12	A41-1212	A61-2412	A51-1912

APO ACCESSORIES

End plate in polyester

Coupling cover plates

CZ185
CZ300
CZ370



For dimensions of maximum opening, see page 32

Coupling collars

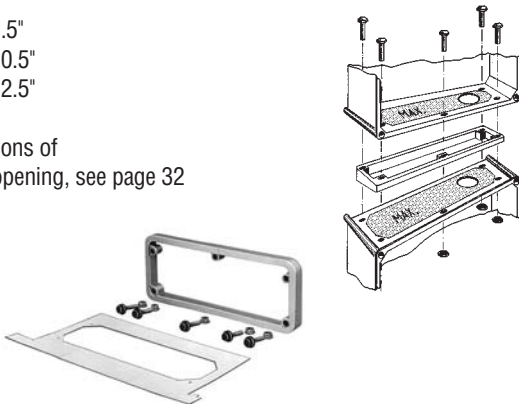
Coupling frames are made of polyamide with PUR gaskets

- Complete with template
- The smallest side of the coupling frame fits the front side of the box.
- The maximum passage between two coupled boxes can be marked off with the aid of the template.

Within this mark, any desired opening can be made

Z185 5.5"
Z300 10.5"
Z370 12.5"

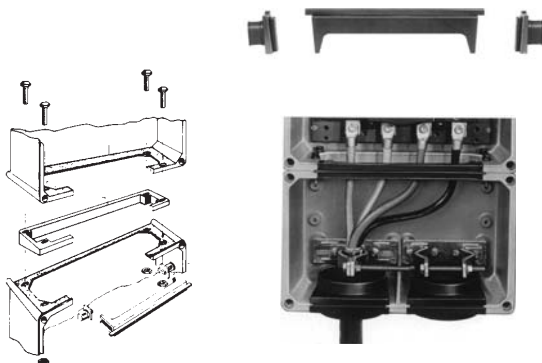
For dimensions of maximum opening, see page 32



Coupling Bridges

Make heavy connections easier while guaranteeing that the original degree of protection is maintained.

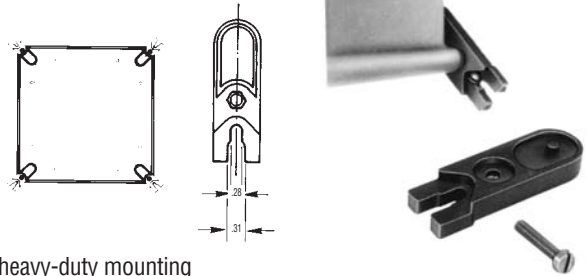
CB12 Fits the 12" side.
CB14 Fits the 14" side.



Versatile Mounting Options

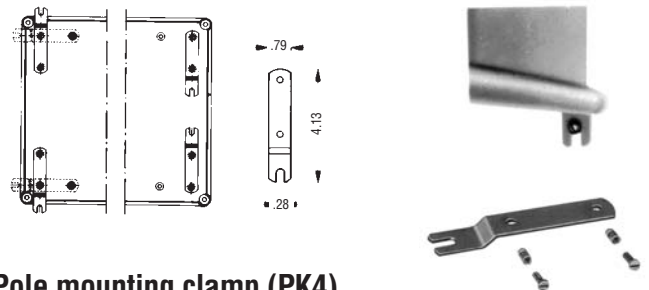
- For external mounting points.
- Direct mounting through the four corner holes of the enclosure.
- If extension collars are to be used, the mounting brackets shall be mounted before the collars.
- Maximum permissible component weight: 330 lbs

41525.050 (AP-NMF) Non-metallic mounting feet
Set of 4 pieces in fiberglass reinforced polyamide



- For heavy-duty mounting
- The four brackets are mounted directly at the rear of the box in reinforcements provided for that purpose.
- Mounted by M4 threaded bushes (supplied).
- Maximum permissible component weight: 330 lbs

10000.221 (AP-MFSS) Stainless steel mounting feet
Set of 4 pieces in stainless steel (type 304).



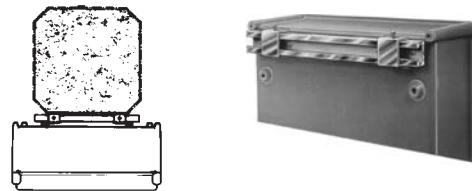
Pole mounting clamp (PK4)

10000.030

Pole mounting

- At the rear of enclosure, C-profiles are installed. C-profiles are mounted using M4 inserts
- Around the pole, a stainless steel band is installed. On the C-profile, clamps are placed to catch the stainless steel band securely.

PM12 Set of 2 C-profiles for 11.81" and 14.57" side.
PM15



APO ACCESSORIES

APO SERIES

Locks

Complete with drilling template, keys and mounting hardware.

- APSLV** Safety lock with 2 keys V 2432E
- APSLSQ8** Safety lock with square key .31 (8 mm)
- APSLT8** Safety lock with triangular key .31 (8 mm)
- APSLT11** Safety lock with triangular key .43 (11 mm)
- APSLDB-3** Safety lock with double-bit yale key .12 (3 mm)



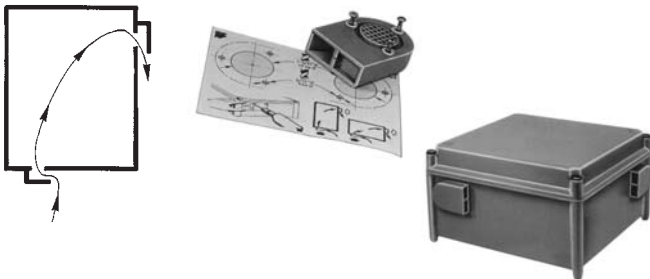
Air vents

Two air vents must be mounted per enclosure to ensure efficient air circulation and prevent water condensation.

Complete with template and screws.

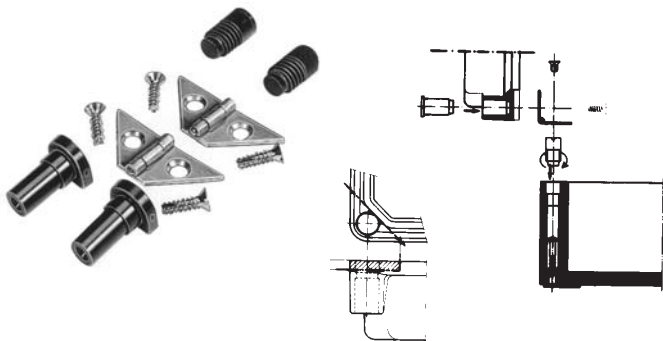
The air vents are preferably mounted in the upper and lower part of the base. (See sketch below)

- 10000.010 (MEDV)** Set of 2 pieces in polyamide.



Stainless steel cover hinges

- 41532.000 (APSSHDT)** Set of 2 pieces in stainless steel (complete with assembly hardware).

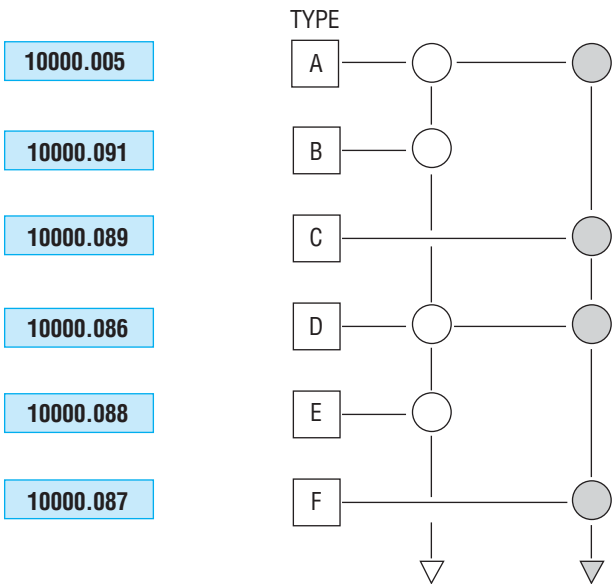


* For use on DT and FDT models

Cover must be milled along the dotted line to a depth of .24" prior to hinge mounting (see drawing).

Non-metallic Hinges (2 per pkg.)

- In order to enable hinge mounting, holes must be drilled in the cover and in either the base or the extension frame. Templates for drilling these holes are supplied with each set. The type of hinge depends on the required combination.
- Hence six sets of hinges are available. Each set consists of two hinges, screws, a drilling template, the mounting instructions and, if necessary, spacer shims.
- For enclosures over 19" in length 4 hinges are recommended.



Selection guide	Base	
	APO 1	31-41-71-51-81-61-11-12
Polyester cover	A	A
Polyester cover + extension collar	B	C
Polycarbonate cover (CT cover)	D	D
Polycarbonate cover + extension collar	E	F

APO ACCESSORIES

Cover screw

41519.155 (APCS)

Slotted replacement cover screw
4 per pkg.



Thumb screw inserts

41520.155 (APTSI)

For cover screws and
DT cover screw (1 per pkg.)



Hinge screw - cover retaining screw

41519.160 (APHS)

Set of 2 pieces

The box must be mounted or mounting feet
installed prior to
fitting the hinge screws



Triangular TTR Tamper-proof screw

41523.000 (APTPS-SC)

For screw cover.
Set of 2 pieces.



10000.139 (APTPS-HC)

For hinged cover.
Set of 2 pieces.
Tamper-proof screw
For clear door or DT cover



Wrench for tamper-proof screws

11810.025 (APTPS-WRN)

For triangle TTR tamper proof screw.



Sealing plate

415121.000 (APSP)

Set of 2 pieces.



Corner padlocking set

10000.070 (APCPL)

Maximum diameter of padlock: .31 (8mm)



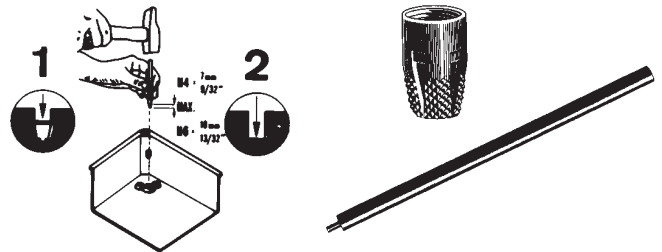
Threaded inserts

13901.013 (M4)
119403.050 (M6)

M4 threaded inserts. - #1 (4 per pkg.)
M6 threaded inserts. - #2 (4 per pkg.)

13901.014 (M4T)
10000.046 (M6T)

Installation tool for M4 inserts
Installation tool for M6 inserts



V10 - APO clear corner screw plug (479300.000)

1 per pkg.

Item	Order Code	Pack Qty.
Base Insert	41523.005 (APBI)	1
Back Plate		
Stand-off studs 0.25	40600.099 (APS025)	4
Back Plate		
Stand-offs 0.39	10.002 (APS039)	4
	15.002 (APS059)	4
	20.002 (APS079)	4
	25.002 (APS098)	4
	30.002 (APS018)	4
	60.002 (APS0236)	1
	97.002 (APS0381)	4
Blanking Insert	41523.079 (APBLI)	4
Carrying Handle	41270.070 (APCH)	1

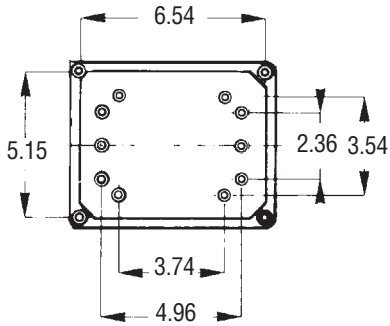
Other accessories, see page 236

* Assembly charge

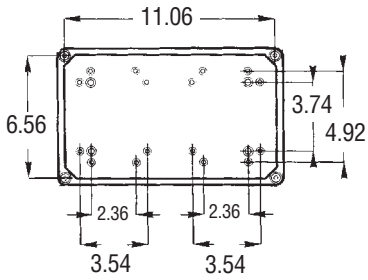
Dimensions

Bases

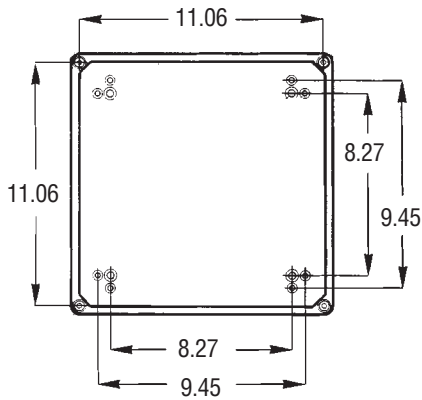
A1-706



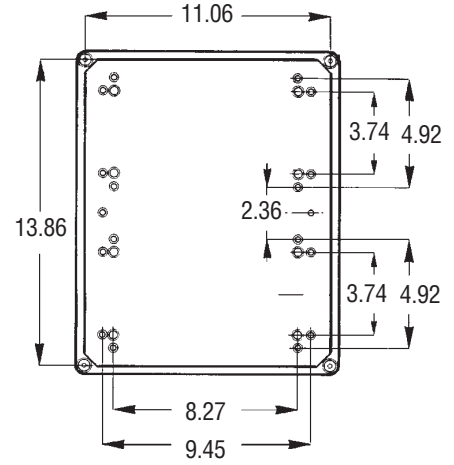
A31-1207



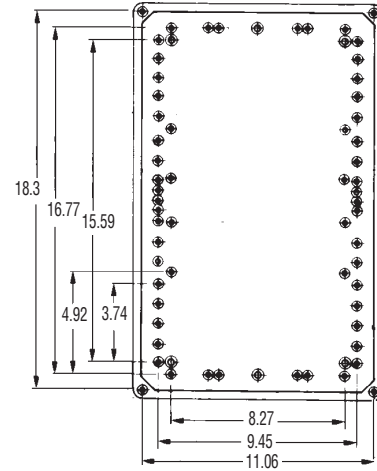
A41-1212



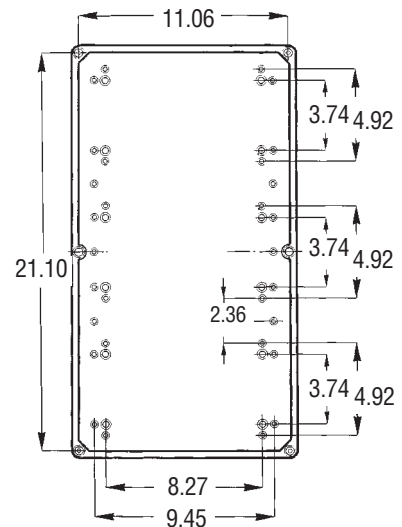
A71-1412



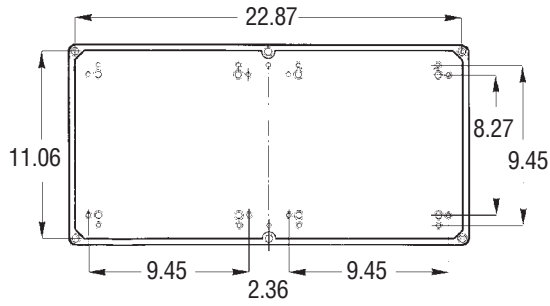
A51-1912



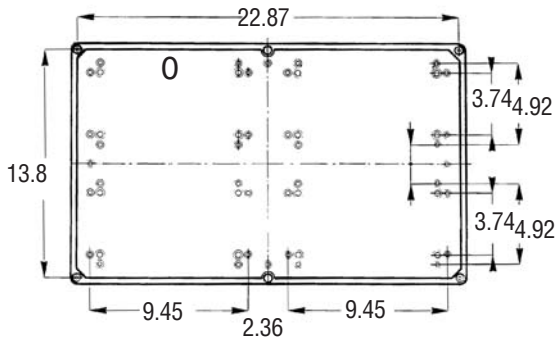
A81-2212



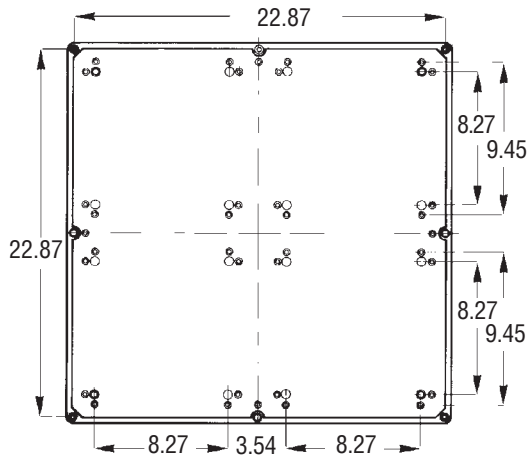
A61-2412



A11-2414

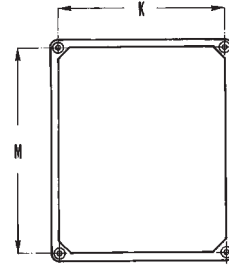


A12-2424

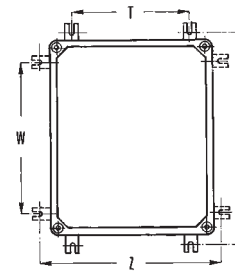


Wall mounting

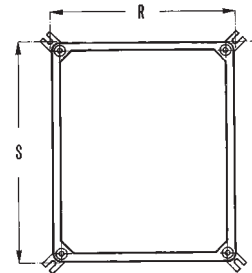
Direct to the wall



With stainless steel mounting brackets



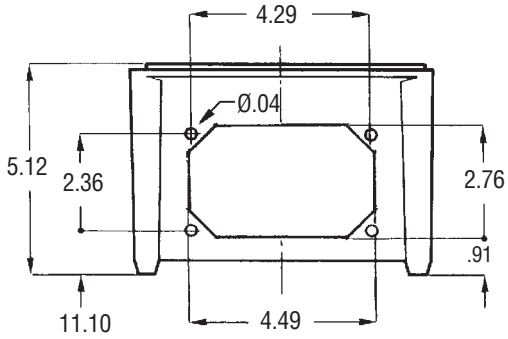
With non metallic mounting feet



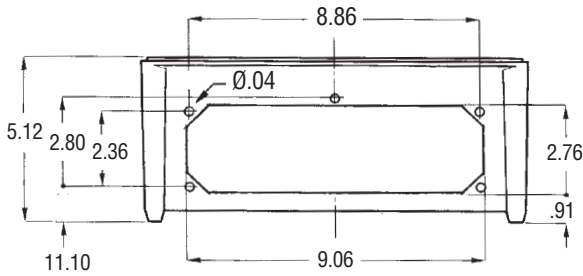
Type	M	K	S	R	V	T	W	Z
A1-706	5.15	6.54	6.10	7.48				
A31-1207	6.54	11.06	7.48	12.05	12.28	9.53	4.92	7.76
A41-1212	11.06	11.06	12.05	12.05	12.28	9.53	9.53	12.28
A71-1412	13.86	11.06	14.80	12.05	15.04	9.53	12.28	12.28
A51-1912	19.21	11.06	19.29	11.97	19.53	9.45	16.77	12.20
A81-2212	21.10	11.06	22.09	12.01	22.32	9.49	19.57	12.24
A61-2412	11.06	22.87	12.01	23.86	12.24	21.34	9.49	24.09
A11-2414	13.80	22.87	14.72	23.86	14.96	21.34	12.2	24.09
A12-2424	22.87	22.87	23.82	23.82	24.06	21.34	21.34	24.06

Cut-outs in side panels

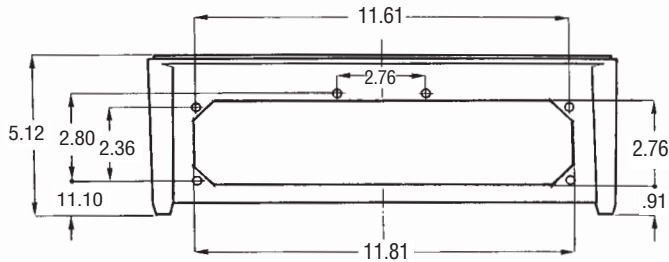
Z185 (7" side)



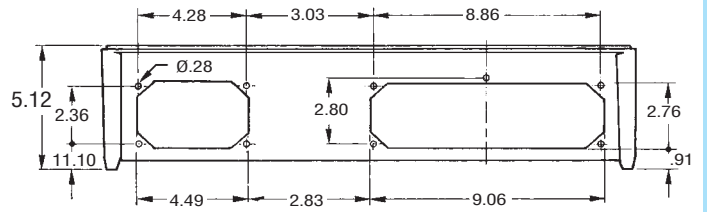
Z300 (12" side)



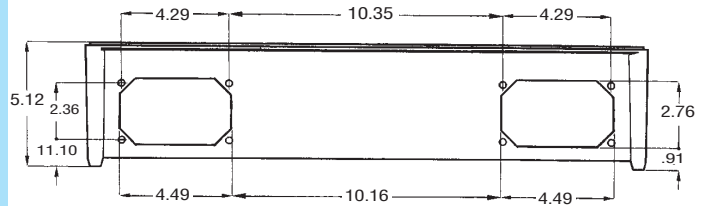
Z370 (14" side)



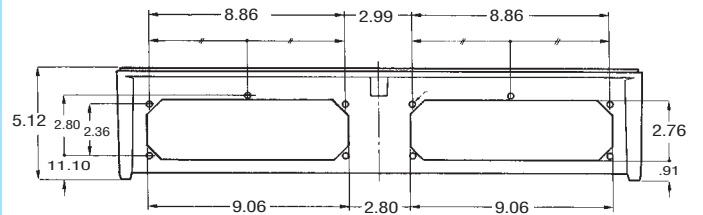
Std. cutouts (but not limited to 19" side)



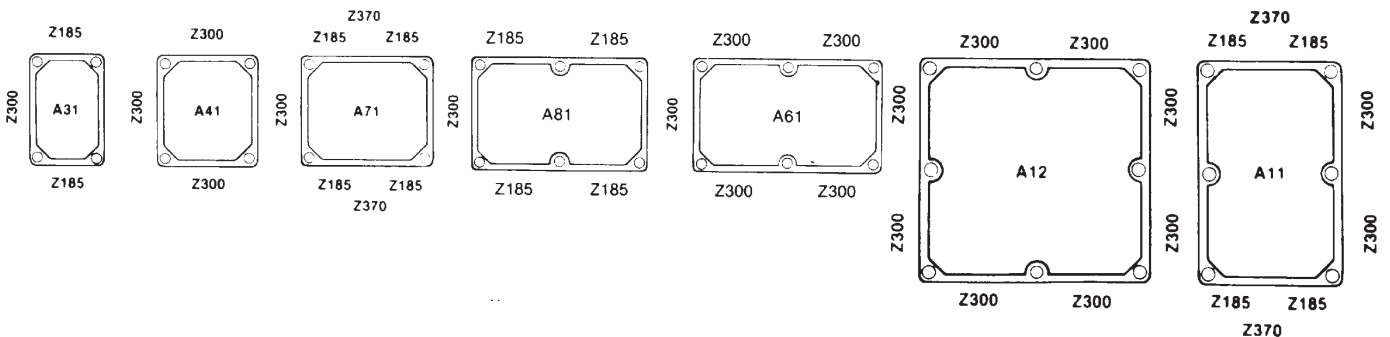
Std. cutouts (but not limited to 22" side)



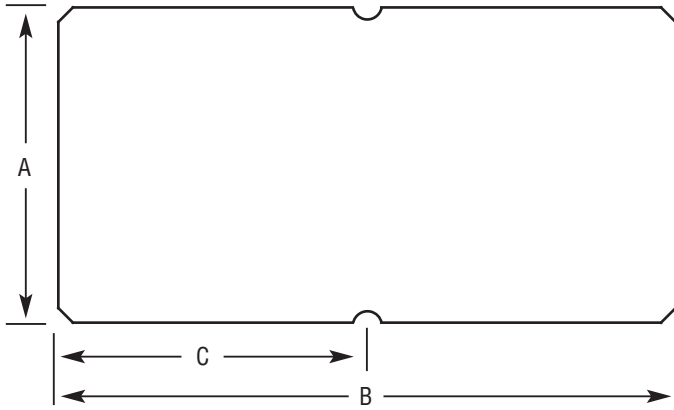
Std. cutouts (but not limited to 24" side)



APO Coupling Collar Selection

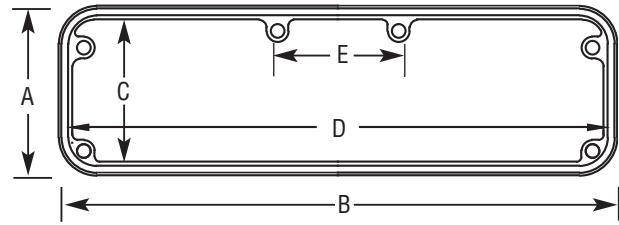


APO Front Plate



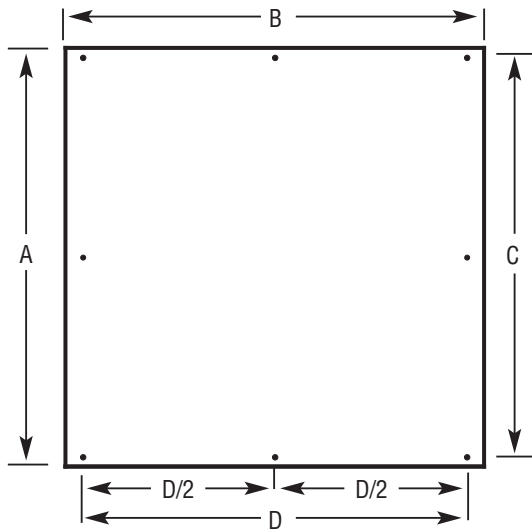
PART #	A	B	C
FPH-706A	4.90	6.30	-
FPH-1207A	6.30	10.80	-
FPH-1212A	10.80	10.80	-
FPH-1412A	10.80	13.60	-
FPH-1912A	10.80	18.10	-
FPH-2212A	10.80	21.20	10.60
FPH-2412A	10.80	22.60	11.30
FPH-2414A	13.50	22.60	11.30
FPH-2424A	22.60	22.60	11.30

APO Coupling Collar and Cover



PART #	A	B	C	D	E
Z185/CZ185	3.86	5.11	2.76	4.49	-
Z300/CZ300	3.86	9.68	2.76	9.05	-
Z370/CZ370	3.86	12.44	2.76	11.81	2.76

APO Back Plate Info.



PART #	A	B	C	D	D/2
BP-706	4.5	5.5	3.54	3.74	-
BP-1207	5.5	9	4.92	8.27	-
BP-1212	9	10	9.45	8.27	-
BP-1412	10	12	9.45	11.02	5.51
BP-1912	10.5	17	9.45	15.59	7.8
BP-2212	12	19	9.45	18.35	9.17
BP-2412	10	21	9.45	21.12	10.06
BP-2414	12.75	21	12.20	20.12	10.06
BP-2424	21.88	21.88	21.30	20.12	10.06

QUICK REFERENCE GUIDE APO Series

Basic Style

Screw Cover	Non-metallic Hinges	Non-metallic Hinges & SS Latches	Screw Cover with Extensions*	Hinged with Extensions*	Hinged and Latched** with Extensions*
A1-706	A1-706H	A1-706HPL1	A1-706E1	A1-706E1H	A1-706E1HPL1
A31-1207	A31-1207H	A31-1207HPL2	A31-1207E1	A31-1207E1H	A31-1207E1HPL2
A41-1212	A41-1212H	A41-1212HPL2	A41-1212E1	A41-1212E1H	A41-1212E1HPL2
A71-1412	A71-1412H	A71-1412HPL2	A71-1412E1	A71-1412E1H	A71-1412E1HPL2
A51-1912	A51-1912H	A51-1912HPL2	N/A	N/A	N/A
A81-2212	A81-2212H	A81-2212HPL2	A81-2212E1	A81-2212E1H	A81-2212E1HPL2
A61-2412	A61-2412H	A61-2412HPL2	A61-2412E1	A61-2412E1H	A61-2412E1HPL2
A11-2414	A11-2414H	A11-2414HPL2	A11-2414E1	A11-2414E1H	A11-2414E1HPL2
A12-2424	A12-2424H	A12-2424HPL4	A12-2424E1	A12-2424E1H	A12-2424E1HPL4

CT Style

Screw Cover	Corner Hinges	Corner Hinges & SS Latches	Screw Cover with Extensions*	Corner Hinged with Extensions*	Corner Hinges and, Two Latches** with Extensions*
A1-706CT	A1-706CTH	A1-706CTHPL1	A1-706E1CT	A1-706E1CTH	A1-706E1CTHPL1
A31-1207CT	A31-1207CTH	A31-1207CTHPL2	A31-1207E1CT	A31-1207E1CTH	A31-1207E1CTHPL2
A41-1212CT	A41-1212CTH	A41-1212CTHPL2	A41-1212E1CT	A41-1212E1CTH	A41-1212E1CTHPL2
A71-1412CT	A71-1412CTH	A71-1412CTHPL2	A71-1212E1CT	A71-1412E1CTH	A71-1412E1CTHPL2
A51-1912CT	A51-1912CTH	A51-1912CTHPL2	N/A	N/A	N/A
A81-2212CT	A81-2212CTH	A81-2212CTHPL2	A81-2212E1CT	A81-2212E1CTH	A81-2212E1CTHPL2
A61-2412CT	A61-2412CTH	A61-2412CTHPL2	A61-2412E1CT	A61-2412E1CTH	A61-2412E1CTHPL2
A11-2414CT	A11-2414CTH	A11-2414CTHPL2	A11-2414E1CT	A11-2414E1CTH	A11-2414E1CTHPL2
A12-2424CT	A12-2424CTH	A12-2424CTHPL4	A12-2424E1CT	A12-2424E1CTH	A12-2424E1CTHPL4

DT/FDT Style

Screw Cover	Corner Hinges	Screw Cover with Extensions*	Cover Hinges with Extensions*
A31-1207DT	A31-1207DTH	A31-1207E1DT	A31-1207E1DTH
A41-1212DT	A41-1212DTH	A41-1212E1DT	A41-1212E1DTH
A71-1412DT	A71-1412DTH	A71-1412E1DT	A71-1412E1DTH
A51-1912DT	A51-1912DTH	N/A	N/A
A61-2412DT	A61-2412DTH	A61-2412E1DT	A61-2412E1DTH

*Number following the "E" in the part number indicates the number of extensions needed.

**Number following the "L" in the part number indicates the standard number of latches required for UL listing.