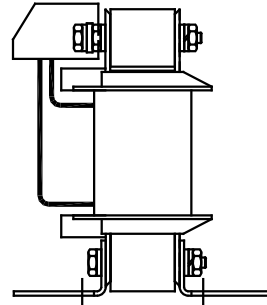
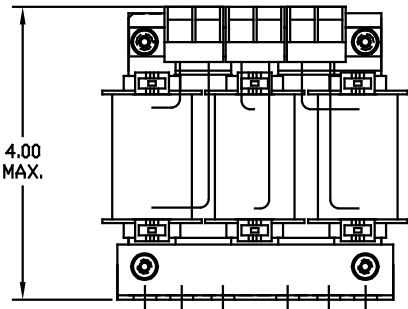
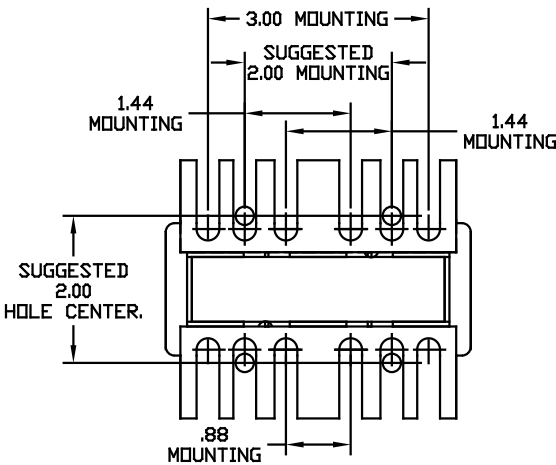


NOTE: A1, A2, B1, B2, C1, C2, MARKINGS ON TERMINAL BLOCK. FOR REFERENCE ONLY.



CATALOG NO	VOLTS(V <sub>r</sub> )	__mH±10%	__AMPS(A)	APPROX WT-LBS	TORQUE(LB-IN)
KLR2ATB	14.40	11.03	2	4	10
KLR2BTB	7.20	5.51	2	4	10
KLR2CTB	24.00	18.38	2	4	10
KLR2DTB	17.25	13.21	2	4	10
KLR2ETB	28.75	22.02	2	4	10
KLR2FTB	8.62	6.60	2	4	10
KLR3ATB	14.40	7.35	3	4	10
KLR3BTB	7.20	3.68	3	4	10
KLR3CTB	24.00	12.25	3	5	10
KLR3DTB	17.25	8.81	3	4	10
KLR3ETB	28.75	14.70	3	5	10
KLR3FTB	8.62	4.40	3	4	10
KLR4ATB	14.40	5.51	4	4	10
KLR4BTB	7.20	2.76	4	4	10
KLR4CTB	24.00	9.19	4	5	10
KLR4DTB	17.25	6.61	4	5	10
KLR4ETB	28.75	11.00	4	5	10
KLR4FTB	8.62	3.30	4	4	10
KLR6ATB	14.40	3.68	6	5	10
KLR6BTB	7.20	1.84	6	4	10
KLR6DTB	17.25	4.40	6	4	10
KLR6FTB	8.62	2.20	6	4	10
KLR8ATB	14.40	2.76	8	5	10
KLR8BTB	7.20	1.38	8	4	10
KLR8FTB	8.62	1.65	8	4	10
KLR12BTB	7.20	.919	12	4	10
KLR12FTB	8.62	1.10	12	4	10



HI-POT VOLT	VAC
2650	468-2

				TOLERANCES EXCEPT AS NOTED:	
				DECIMAL	
				.XX ± .03	
				.XXX ± .010	
				FRACTIONAL	
				± 1/16	
				ANGULAR	
				± 1/2°	
M 2235, MOUNTING CHG.	06/02/03	DSW		DATE BY	
NO	REVISION	DATE	BY	SCALE 3/4"=1"	

7878 N. 86th STREET  
MILWAUKEE, WI 53224

**SINE-GUARD REACTOR**  
**KLR TB'S (FRAME A)**

DATE BY: RJC  
DATE: 05/18/95  
DATE: 05/18/95

**KLR-18DG**  
SHT. 1 OF 1