

Raceway  
Non-Metallic Raceway  
PB2 BaseTrak<sup>®</sup> Cover

# HUBBELL

## Features

- Cover allows access to multiple channels.
- Available in 5 ft. (1.5m) and 10 ft. (3m) lengths.

## Ordering Information

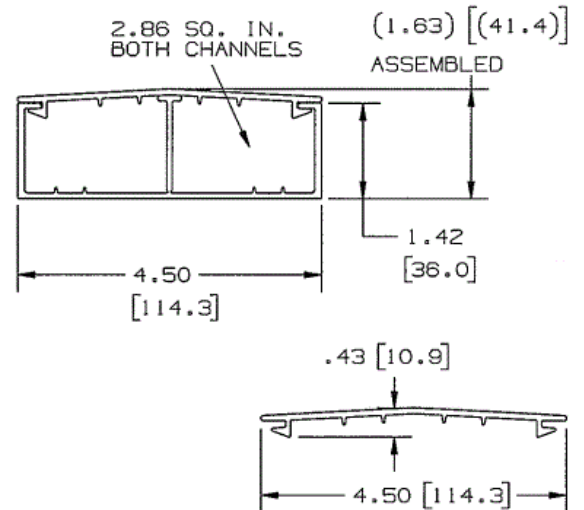
| Description | Color        | UPC Number   | Catalog Number |
|-------------|--------------|--------------|----------------|
| Cover       | Office White | 783585310022 | PB2C10         |

## Listings

UL Listed  
CSA Certified

## Specifications

|        |       |
|--------|-------|
| Height | 0.20" |
| Width  | 4.50" |
| Length | 10'   |



## Online Resources

Customer Use Drawing  
eCatalog  
Installation Instructions

Dimensions in Inches (mm)

Hubbell Wiring Device-Kellems • Hubbell Incorporated (Delaware) • 40 Waterview Drive • Shelton, CT 06484

Phone (800) 288-6000 • Fax (800) 255-1031 • Specifications subject to change without notice.

