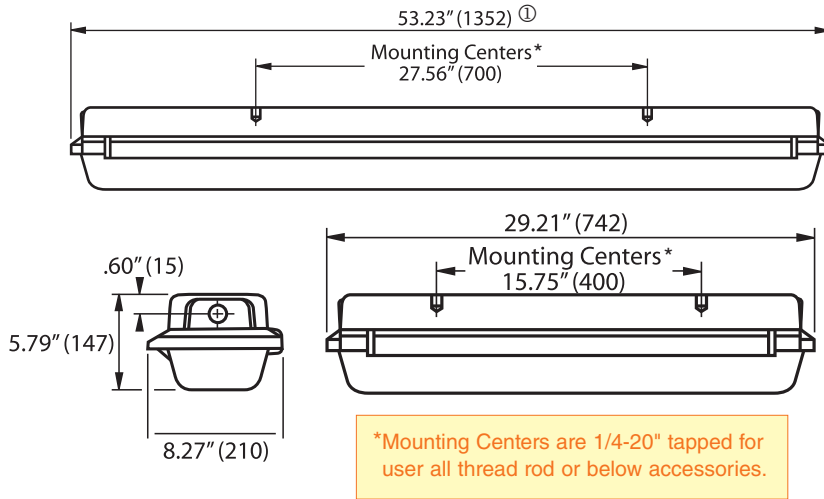
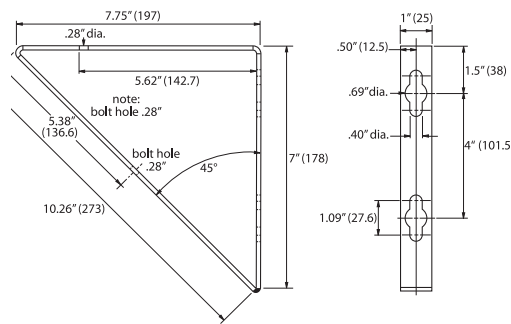
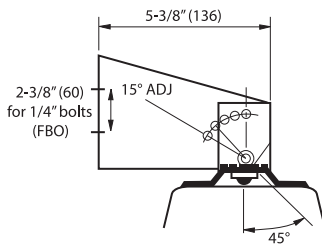


DIMENSIONS LZ2N, LZ2NE SERIES



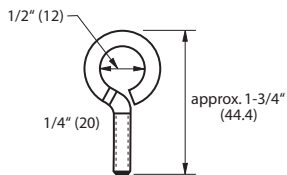
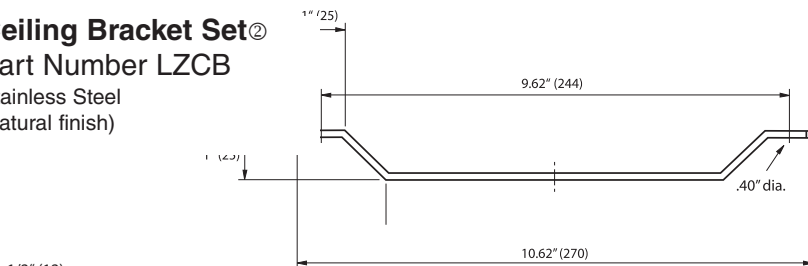
Mounting Accessories For All LZ2N, LZ2S Series

Wall Bracket Set ②
Part Number LZWB
Stainless Steel (natural finish)



Adjustable Wall Bracket Set ②
Part Number LZAB
Stainless Steel bracket with ceramic coated pivot bolt

Ceiling Bracket Set ②
Part Number LZCB
Stainless Steel (natural finish)



Eyebolt Set
Part Number LZEB
Stainless Steel bolt with lockwasher & nut (natural finish)

Replacement Parts:	
LZ2N4LENS	4' Lens only LZ2N/LZ2S
LZ2N2LENS	2' Lens only LZ2N/LZ2S
LZ2N4BAR	4' Locking Bar only LZ2N
LZ2N2BAR	2' Locking Bar only LZ2N
LZ2S-LATCH	Latch and Spring

Suspension Chains (2 required)
Part Number HFX-SC
36" length plated steel chain with snap link ends
For use with LZEB

① Dimensions in () are millimeters.
② Product accessories have hardware for attachment to fixture; hardware to attach to wall/ceiling F.B.O.
NOTE: Eyebolts are 316 Series, brackets are 300 Series Stainless Steel.

FLUORESCENT FIXTURE- LZ2N(S)40230

2' - 2 40 Watt Biaxial
Lamp Type F40/2G11/835/RS
Lumens 3150 each

Total Bare Lamp Lumens 6300

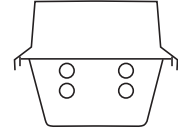
All data provided is for F40/2G11/835/RS lamps

For LZ2N40130 1-lamp models multiply x .50

For LZ2N55130 1-lamp models multiply x .76

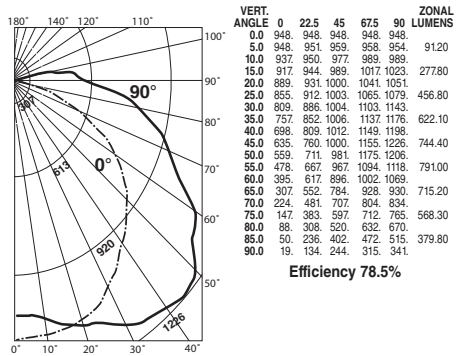
For LZ2N17230 multiply x .44

For LZ2N17330 multiply x .66



ZONAL LUMENS

ZONAL LUMENS	
0-30	826
0-40	1447
0-60	2977
0-90	4638



COEFFICIENTS OF UTILIZATION - ZONAL CAVITY METHOD

% EFFECTIVE CEILING CAVITY REFLECTANCE t_{cc}	80					70					50					30					10					0																																																																																																																																																																								
	70	50	30	10	0	70	50	30	10	0	50	30	10	0	50	30	10	0	30	10	0	30	10	0																																																																																																																																																																										
% WALL REFLECTANCE t_w	70	50	30	10	0	70	50	30	10	0	50	30	10	0	50	30	10	0	30	10	0	30	10	0																																																																																																																																																																										
ROOM CAVITY RATIO RCR	20% Effective Floor Cavity Reflectance																																																																																																																																																																																																	
0	.92	.92	.92	.90	.90	.90	.84	.84	.84	.80	.80	.76	.76	.76	.74	.81	.76	.72	.68	.79	.74	.70	.66	.66	.63	.66	.63	.61	.62	.60	.58	.56	.73	.65	.58	.53	.70	.63	.57	.52	.59	.54	.50	.56	.52	.48	.53	.49	.46	.44	.65	.56	.48	.42	.63	.54	.47	.42	.51	.45	.40	.48	.43	.39	.45	.41	.37	.35	.59	.49	.41	.35	.57	.47	.40	.34	.45	.38	.33	.42	.37	.32	.40	.35	.31	.29	.54	.43	.35	.29	.52	.42	.34	.29	.39	.33	.28	.37	.32	.27	.35	.30	.26	.24	.50	.38	.30	.25	.48	.37	.30	.25	.35	.29	.24	.33	.28	.23	.32	.27	.23	.21	.46	.34	.27	.22	.44	.33	.26	.21	.32	.25	.21	.30	.25	.20	.29	.24	.20	.18	.43	.31	.24	.19	.41	.30	.24	.19	.29	.23	.18	.27	.22	.18	.26	.21	.17	.16	.40	.28	.21	.17	.38	.28	.21	.17	.26	.20	.16	.25	.20	.16	.24	.19	.16	.14	.37	.26	.19	.15	.36	.25	.19	.15	.24	.19	.15	.23	.18	.14	.22	.17	.14	.12

SPACING TO MOUNTING HEIGHT RATIO - 1.28 0-180°
SPACING TO MOUNTING HEIGHT RATIO - 1.88 90-270°

Test No. BAL12356

