

Single Pole Devices and Temporary Power

50A, 120/240V AC

Temporary Power Distribution Boxes

HUBBELL

Features

- Save space in the warehouse and on the truck with nesting leg design
- Durable Hi Visibility Yellow Powder Coated Steel Construction
- Individual GFCI modules

Ordering Information

Description	Product Type	UPC	Catalog Number
Distribution Boxes, 50A Straightblade	Boxes	783585093833	TPDS

Standards

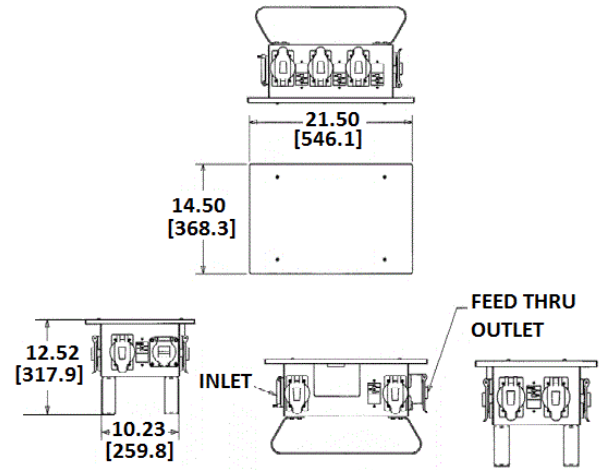
UL 1640, UL 943

Specifications

Operation	Indoor and outdoor wet and dry locations
Enclosure Type	3R, rainproof, suitable for use in damp locations
Code Compliance	NEC, ANSI/NFPA 70

Online Resources

Customer Use Drawing
eCatalog
Installation Instructions



Dimensions in Inches (mm)

Hubbell Wiring Device-Kellems • Hubbell Incorporated (Delaware) • 40 Waterview Drive • Shelton, CT 06484

Phone (800) 288-6000 • Fax (800) 255-1031 • Specifications subject to change without notice.

