

Portable Outlet Boxes and Cover Plates

Features

- Impact resistant Valox® cover plate

Ordering Information

Description	Cord Diameter	UPC	Catalog Number
Box with cord strain relief, with one blank cover plate, black.	.38" to .75"	783585454276	HBLPOB1BK

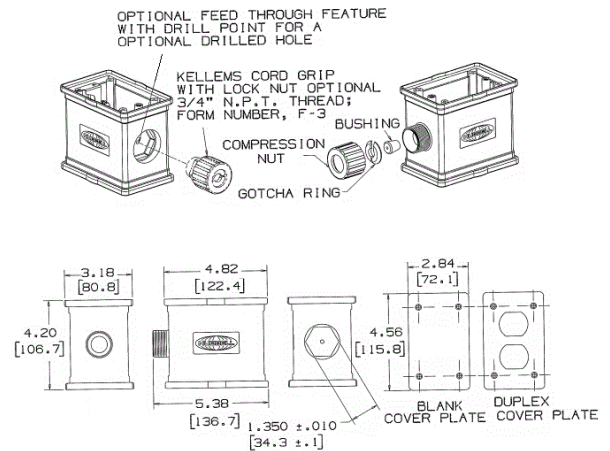


Standards

UL 514C, UL467 and UL50 Enclosures Types 1, 3R
C22.2 No. 18 and C22.2 No. 94 Enclosures Types 1, 3R and C22.2 No. 0.4

Specifications

Cord Connector	Nylon nut; Nylon Gotcha® ring; Neoprene grommet
Bonding Strap	Brass
Grounding Screw	Brass
Gasket	UL recognized closed-cell foam
Indoor Screws	Zinc Plated Steel



Performance

Environmental	
Flammability	UL 94V-0, 94-5VA classification
Impact and Crush Resistance	In accordance with UL 514C, UL50, C22.2 No. 18 and C22.2 No. 94.
Moisture Resistance	Wet and damp locations, Enclosure Type 3R when used with weatherproof cover plates. Dry, indoors locations, Enclosure Type 1 with all other cover plates
Operating Temperature	80°C maximum; -35°C minimum
UV Resistance	All materials are UV stabilized

Online Resources

- Customer Use Drawing
- eCatalog
- Installation Instructions