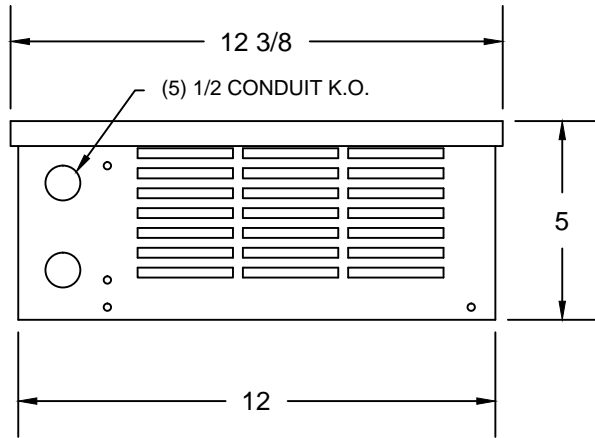
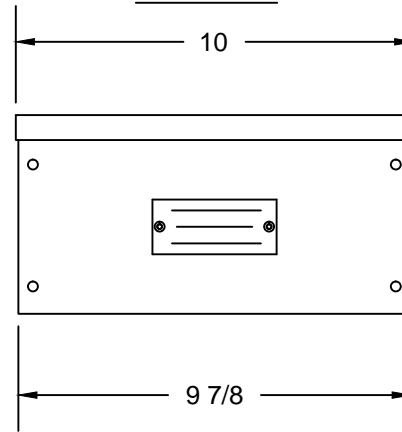


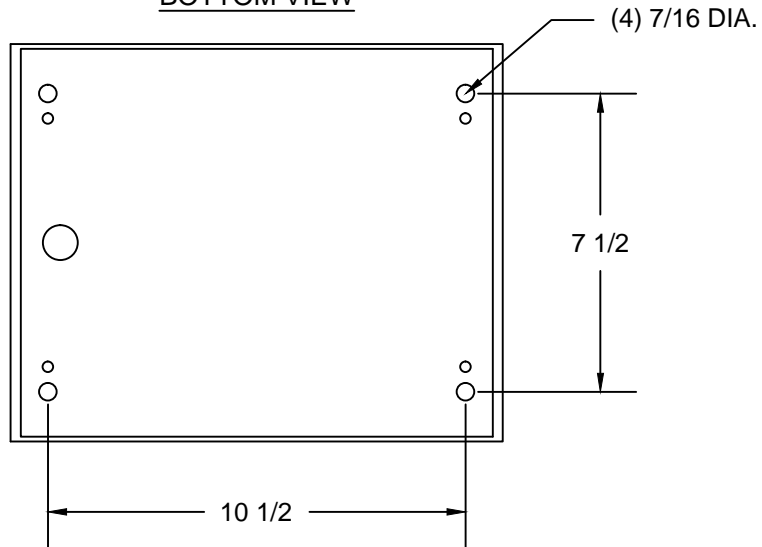
FRONT VIEW



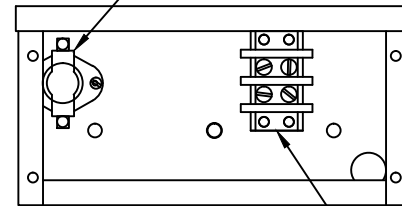
SIDE VIEW



BOTTOM VIEW



NC THERMOSTAT



2 POINT
TERMINAL BLOCK

GENERAL NOTES:

- A. ALL DIMENSIONS ARE IN INCHES.
- B. FINISH: MILL GALVANIZED



5713 13TH STREET
KATY, TEXAS 77493
PHONE: (800) 838-4694

TEXT			
GCE ENCLOSURE: SIZE 3			
DWG. NO.	REV.	SHEET	
GCE3	0	1 of 1	
DRAWN BY	CHCK'D BY	DATE	SIZE
RAO		00/00/00	A