

Ordering Information

Description 1/2" Liquidtight Adapter	UPC 783585887500	Catalog Number SAB12
--	----------------------------	--------------------------------

Used With IEC Pin & Sleeve 16 & 20A 5 Wire and 30 and 32A 3 & 4 Wire	Used With Insulgrip Pin & Sleeve: 30A
--	---

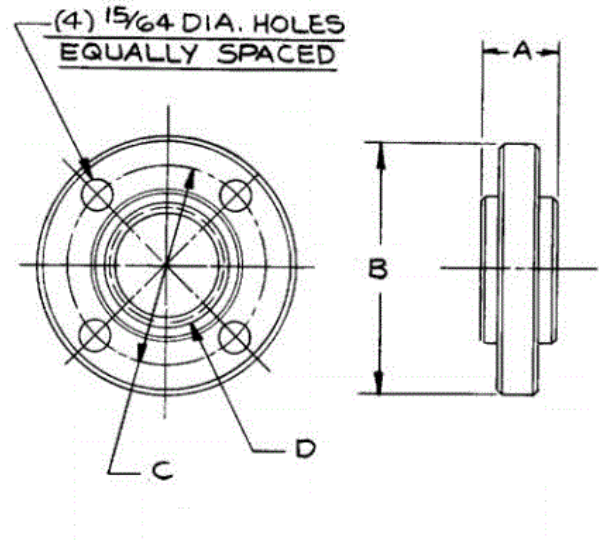


Standards

UL Listed
CSA Certified

Specifications

Weight	Conduit Adapter
Hub	Machined Aluminum
Assembly Screws	Stainless Steel
Gaskets	Neoprene



Online Resources

Customer Use Drawing
eCatalog
Installation Instructions