

Wallplates  
Extra-Duty Metallic While-In-Use Covers

# HUBBELL

## For Maximum In-Use Protection

### Features

- Powder coated for corrosion protection
- Provision on each side for holding cords
- Superior commercial quality die-cast aluminum construction



### Ordering Information

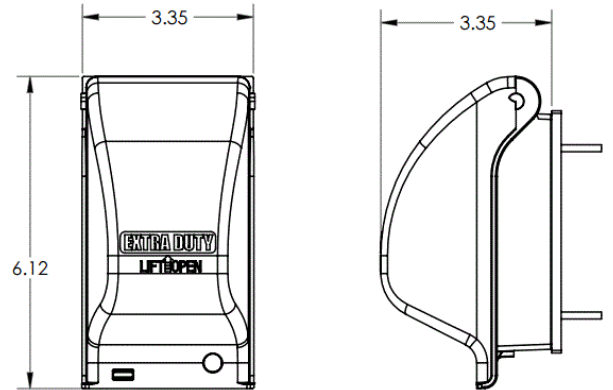
Description	Catalog Number	UPC
1-gang, GFCI while-in-use cover, vertical mounting	WP26E	783585449845

### Listings

UL Listed - Canadian and U.S.  
NO DRAWING

### Specifications

Material	Aluminum
----------	----------



### Online Resources

[eCatalog](#)

Dimensions in Inches (mm)

Hubbell Wiring Device-Kellems • Hubbell Incorporated (Delaware) • 40 Waterview Drive • Shelton, CT 06484

Phone (800) 288-6000 • Fax (800) 255-1031 • Specifications subject to change without notice.

