



## Ferrule; Sleeve for 2.08 mm<sup>2</sup> / AWG 14; insulated; electro-tin plated

Item No.: 216-205



Ferrule; Sleeve for 2.08 mm<sup>2</sup> / AWG 14; insulated; electro-tin plated

### Marking

RoHS ✓  
Compliant

### Business data

Supplier	WAGO
Item no.	216-205
GTIN / EAN	4017332277501
Content	1
Order amount	1,000
Customer item number	

### Notes

### Technical data

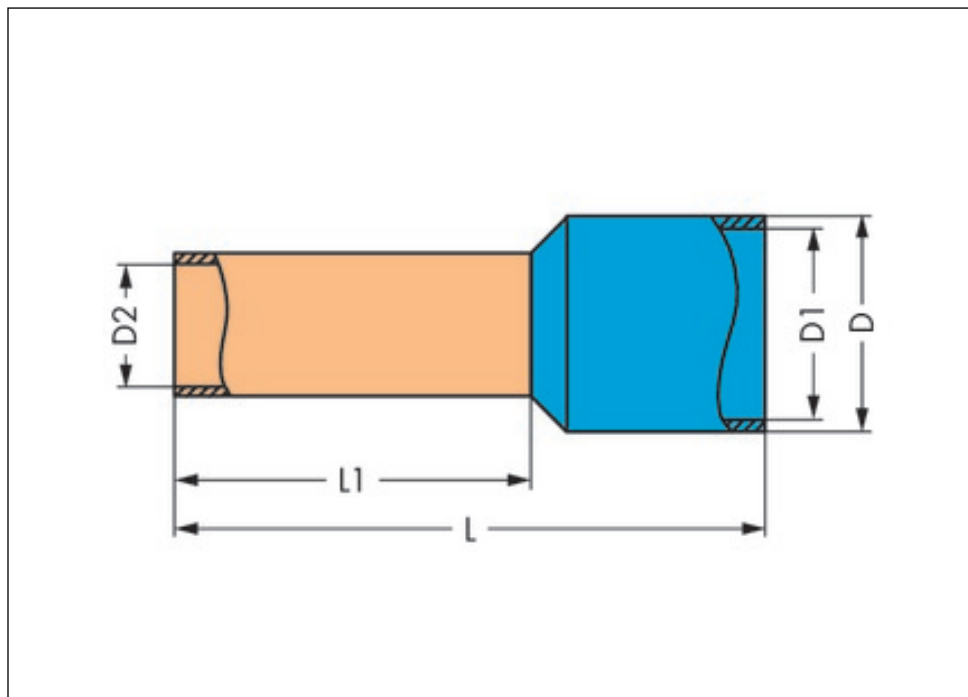
#### Miscellaneous

Packaging type	BOX
Main product function	Ferrule
Strip length	10 mm / 0.39 Inch
Weight [g]	0.17 [g]
Diameter [mm]	4.8 [mm]
Diameter 1 [mm]	4.2 [mm]

<b>Technical data</b>	
<i>Diameter 2 [mm]</i>	<i>2.05 [mm]</i>
<i>Length [mm]</i>	<i>15 [mm]</i>
<i>Length 1 [mm]</i>	<i>8 [mm]</i>
<i>Color</i>	<i>yellow</i>
<i>Fire load [MJ]</i>	<i>0.002 [MJ]</i>

**Images & drawings**





#### Address

WAGO Kontakttechnik GmbH & Co. KG

Hansastr. 27

32423 Minden

Telefon: 0571/887-0

Fax: 0571/887-169

<http://www.wago.com>

© WAGO Kontakttechnik GmbH & Co. KG

Technische Änderungen und Irrtümer vorbehalten.