

HUBBELL® TAYMAC® WEATHERPROOF



STANDARDS

HUBBELL® TAYMAC® UPC Vendor Number 092326 or 050169.

Where applicable, HUBBELL® TAYMAC® products are engineered in accordance with the standards established by Underwriters Laboratories and the Canadian Standards Association. Dimensional data listed in this catalog is intended for general reference with broad tolerance limits.

2014 NEC®

When specifying HUBBELL® TAYMAC® Weatherproof boxes and covers, consult the requirements of the National Electrical Code®, Section 314.16 (B) and 406.9 (B). Section 314.16 (B) details the NEC® requirements for the maximum number of conductors allowed for a HUBBELL® TAYMAC® Weatherproof installation. Article 406.9 (B) provides details on the NEC® requirements for receptacles being used in wet locations.

For your convenience, we have reprinted the pertinent NEC® sections. In all cases, consult your local electrical code and inspector interpretation.

Wiring Capacity: HUBBELL® TAYMAC® Weatherproof Boxes and Extensions**Maximum Number of Conductors or Minimum Size Box (Article 314.16 (B))**

The purpose of Section 314.16 (B) is to determine the maximum conductor count or the minimum box size required for the job. It also can be used to figure how many other conductors may be added without exceeding the Code-prescribed limit. Most applications have determined the number of conductors. The rules of Section 314.16 (B) are used to determine the Code recognized limit, or smallest box that may be installed.

Selection of any HUBBELL® TAYMAC® Weatherproof box or extension for use in any electrical circuit work must take into consideration the maximum number of wires permitted in the box. Safe electrical practice demands that wires not be jammed into boxes because of the possibility of nicks, abrasions, or other damage to the insulating material, creating the potential for ground faults or short circuits.

314.16 Number of Conductors in Outlet, Device, and Junction Boxes, and Conduit Bodies. Boxes and conduit bodies shall be of an approved size to provide free space for all enclosed conductors. In no case shall the volume of the box, as calculated in 314.16(A), be less than the fill calculation as calculated in 314.16(B). The minimum volume for conduit bodies shall be as calculated in 314.16(C).

The provisions of this section shall not apply to terminal housings supplied with motors or generators.

Boxes and conduit bodies enclosing conductors 4 AWG or larger shall also comply with the provisions of 314.28.

(A) Box Volume Calculations. The volume of a wiring enclosure (box) shall be the total volume of the assembled sections and, where used, the space provided by plaster rings, domed covers, extension rings, and so forth, that are marked with their volume or are made from boxes the dimensions of which are listed in Table 314.16(A). (1) Standard Boxes. The volumes of standard boxes that are not marked with their volume shall be as given in Table 314.16(A).

(2) Other Boxes. Boxes 1650 cm³ (100 in.³) or less, other than those described in Table 314.16(A), and nonmetallic boxes shall be durably and legibly marked by the manufacturer with their volume. Boxes described in Table 314.16(A) that have a volume larger than is designated in the table shall be permitted to have their volume marked as required by this section.

(B) Box Fill Calculations. The volumes in paragraphs 314.16(B)(1) through (B)(5), as applicable, shall be added together. No allowance shall be required for small fittings such as locknuts and bushings.

(1) Conductor Fill. Each conductor that originates outside the box and terminates or is spliced within the box shall be counted once, and each conductor that passes through the box without splice or termination shall be counted once. Each loop or coil of unbroken conductor not less than twice the

minimum length required for free conductors in 300.14 shall be counted twice. The conductor fill shall be calculated using Table 314.16(B). A conductor, no part of which leaves the box, shall not be counted.

Exception: An equipment grounding conductor or conductors or not over four fixture wires smaller than 14 AWG, or both, shall be permitted to be omitted from the calculations where they enter a box from a domed luminaire or similar canopy and terminate within that box.

(2) Clamp Fill. Where one or more internal cable clamps, whether factory or field supplied, are present in the box, a single volume allowance in accordance with Table 314.16(B) shall be made based on the largest conductor present in the box. No allowance shall be required for a cable connector with its clamping mechanism outside the box.

(3) Support Fittings Fill. Where one or more luminaire studs or hickies are present in the box, a single volume allowance in accordance with Table 314.16(B) shall be made for each type of fitting based on the largest conductor present in the box.

(4) Device or Equipment Fill. For each yoke or strap containing one or more devices or equipment, a double volume allowance in accordance with Table 314.16(B) shall be made for each yoke or strap based on the largest conductor connected to a device(s) or equipment supported by that yoke or strap. A device or utilization equipment wider than a single 50 mm (2 in.) device box as described in Table 314.16(A) shall have double volume allowances provided for each gang required for mounting.

(5) Equipment Grounding Conductor Fill. Where one or more equipment grounding conductors or equipment bonding jumpers enter a box, a single volume allowance in accordance with Table 314.16(B) shall be made based on the largest equipment grounding conductor or equipment bonding jumper present in the box. Where an additional set of equipment grounding conductors, as permitted by 250.146(D),

is present in the box, an additional volume allowance shall be made based on the largest equipment grounding conductor in the additional set.

(C) Conduit Bodies.

(1) General. Conduit bodies enclosing 6 AWG conductors or smaller, other than short-radius conduit bodies as described in 314.16(C)(3), shall have a cross-sectional area not less than twice the cross-sectional area of the largest conduit or tubing to which they can be attached. The maximum number of conductors permitted shall be the maximum number permitted by Table 1 of Chapter 9 for the conduit or tubing to which it is attached.

(2) With Splices, Taps, or Devices. Only those conduit bodies that are durably and legibly marked by the manufacturer with their volume shall be permitted to contain splices, taps, or devices. The maximum number of conductors shall be calculated in accordance with 314.16(B). Conduit bodies shall be supported in a rigid and secure manner.

(3) Short Radius Conduit Bodies. Conduit bodies such as capped elbows and service-entrance elbows that enclose conductors 6 AWG or smaller, and are only intended to enable the installation of the raceway and the contained conductors, shall not contain splices, taps, or devices and shall be of an approved size to provide free space for all conductors enclosed in the conduit body.

406.9 Receptacles in Damp or Wet Locations.

(A) Damp Locations. A receptacle installed outdoors in a location protected from the weather or in other damp locations shall

have an enclosure for the receptacle that is weatherproof when the receptacle is covered (attachment plug cap not inserted and receptacle covers closed).

An installation suitable for wet locations shall also be considered suitable for damp locations.

A receptacle shall be considered to be in a location protected from the weather where located under roofed open porches, canopies, marquees, and the like, and will not be subjected to a beating rain or water runoff. All 15- and 20-ampere, 125- and 250-volt nonlocking receptacles shall be a listed weather-resistant type.

Informational Note: The types of receptacles covered by this requirement are identified as 5-15, 5-20, 6-15, and 6-20 in ANSI/NEMA WD 6-2002, National Electrical Manufacturers Association Standard for Dimensions of Attachment Plugs and Receptacles.

(B) Wet Locations.

(1) Receptacles of 15 and 20 Amperes in a Wet Location. 15- and 20-ampere, 125- and 250-volt receptacles installed in a wet location shall have an enclosure that is weatherproof whether or not the attachment plug cap is inserted. An outlet box hood installed for this purpose shall be listed and shall be identified as “extra-duty.” All 15- and 20- ampere, 125- and 250-volt nonlocking-type receptacles shall be listed weather-resistant type.

Informational Note No. 1: Requirements for extra-duty outlet box hoods are found in ANSI/UL 514D-2000, Cover Plates for Flush-Mounted Wiring Devices.

Informational Note No. 2: The types of receptacles covered by this requirement are identified as 5-15, 5-20, 6-15, and 6-20 in ANSI/NEMA WD 6-2002, National Electrical Manufacturers Association Standard for Dimensions of Attachment Plugs and Receptacles.

Exception: 15- and 20-ampere, 125- through 250-volt receptacles installed in a wet location and subject to routine high-pressure spray washing shall be permitted to have an enclosure that is weatherproof when the attachment plug is removed.

(2) Other Receptacles. All other receptacles installed in a wet location shall comply with (B)(2)(a) or (B)(2)(b).

(a) A receptacle installed in a wet location, where the product intended to be plugged into it is not attended while in use, shall have an enclosure that is weatherproof with the attachment plug cap inserted or removed.

(b) A receptacle installed in a wet location where the product intended to be plugged into it will be attended while in use (e.g., portable tools) shall have an enclosure that is weatherproof when the attachment plug is removed.

(C) Bathtub and Shower Space. Receptacles shall not be installed within or directly over a bathtub or shower stall.

(D) Protection for Floor Receptacles. Standpipes of floor receptacles shall allow floor-cleaning equipment to be operated without damage to receptacles.

(E) Flush Mounting with Faceplate. The enclosure for a receptacle installed in an outlet box flush-mounted in a finished surface shall be made weatherproof by means of a weatherproof faceplate assembly that provides a watertight connection between the plate and the finished surface.

National Electric Code® and NEC® is a registered Trademark of the National Fire Protection Association.

GENERAL FEATURES AND BENEFITS

HUBBELL® TAYMAC® Weatherproof products all offer these features and benefits:

- Rugged seamless die cast construction that will not allow entry of moisture
 - Reinforced connector outlets to provide a secure mechanical installation
 - State-of-the-art powder coat paint for maximum weatherability and scratch resistance
 - Bilingual instructions provided with every product
 - Installation hardware and ground screws included where applicable
 - Shrink-wrap packaging that keeps all components together
 - UPC-A barcoding to help lower transaction costs
- Refer to the pages that follow for more specific information about HUBBELL® TAYMAC® products.

SEE END OF SECTION (PG C15) FOR DETAILED DRAWINGS >>

NON-METALLIC WHILE-IN-USE COVERS

1-GANG

APPLICATIONS

- Designed for use whenever weatherproof protection is required while an outlet is in use

PRODUCT FEATURES

- High-impact polycarbonate construction provides maximum durability
- Patented Quick-Fit™ keyhole mounting system allows installation in under a minute
- Includes attached gasket and mounting hardware
- Pre-configured for GFCI with patented Knock-Out™ technology for alternate devices
- Lockable tab
- Made in USA

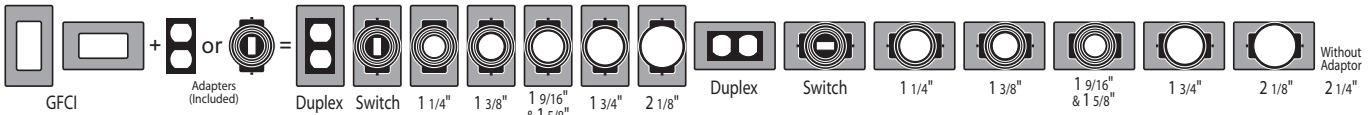
COMPLIANCES

- UL File E116141
- 2014 NEC® compliant (article 406.9)
- NEMA 3R rated

U.S. Patents: 7,348,486; 7,282,645; 7,119,277; 6,960,221; 6,790,816; 6,642,453



16-in-1 CONFIGURATIONS



Fits Full-Size Padlock



CATALOG #	DESCRIPTION	DEPTH	COLOR	PKG. TYPE	STD. PKG.	BARCODE
1-Gang In-Use Covers						
MM410C	Horizontal/Vertical 16-in-1 Standard	2.75"	Clear	Shrink	10	
MM410CA	Horizontal/Vertical 16-in-1 Standard w/Round Box Adaptor	2.75"	Clear	Shrink	10	
MM410CW	Horizontal/Vertical 16-in-1 Standard	2.75"	Clear w/ White Base	Shrink	10	
MM410G	Horizontal/Vertical 16-in-1 Standard	2.75"	Gray	Shrink	10	
MM410W	Horizontal/Vertical 16-in-1 Standard	2.75"	White	Shrink	10	
MM510C	Horizontal/Vertical 16-in-1 Deep	3.25"	Clear	Shrink	8	
MM510G	Horizontal/Vertical 16-in-1 Deep	3.25"	Gray	Shrink	8	
MM710C	Horizontal/Vertical 16-in-1 Jumbo	4.75"	Clear	Shrink	5	
MM710G	Horizontal/Vertical 16-in-1 Jumbo	4.75"	Gray	Shrink	5	
MM420C	Extra Duty® Horizontal/Vertical 16-in-1 Standard	2.75"	Clear	Shrink	8	
MM420G	Extra Duty® Horizontal/Vertical 16-in-1 Standard	2.75"	Gray	Shrink	8	
MM720C	Extra Duty® Horizontal/Vertical 16-in-1 Jumbo	4.75"	Clear	Shrink	4	
MM720G	Extra Duty® Horizontal/Vertical 16-in-1 Jumbo	4.75"	Gray	Shrink	4	

SEE END OF SECTION (PG C15) FOR DETAILED DRAWINGS >>



NON-METALLIC WHILE-IN-USE COVERS

2-GANG



MM7440C



MM7440G

APPLICATIONS

- Designed for use whenever weatherproof protection is required while an outlet is in use

PRODUCT FEATURES

- High-impact polycarbonate construction provides maximum durability
- Patented Quick-Fit™ keyhole mounting system allows installation in under a minute
- Includes attached gasket and mounting hardware
- Pre-configured for GFCI* with patented Knock-Out™ technology for alternate devices
- Lockable tab
- Made in USA

COMPLIANCES

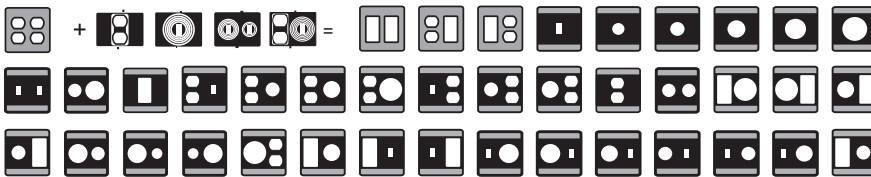
- UL File E116141
- 2014 NEC® compliant (article 406.9)
- NEMA 3R rated

U.S. Patent 8,314,335

* MM7440 pre-configured for Duplex.
MM2410/MM2420 pre-configured for GFCI.

40ⁱⁿ1

CONFIGURATIONS



Multiple combinations of duplex, GFCI, switch and rounds: 1-3/8", 1-5/8", 1-3/4", 2-1/4", 2-5/8"



MM2410C



MM2410G



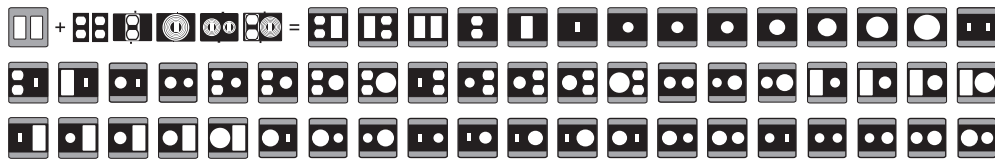
MM2420C



MM2420G

55ⁱⁿ1

CONFIGURATIONS



Multiple combinations of duplex, GFCI, switch, and rounds: 1-1/4", 1-3/8", 1-9/16", 1-5/8", 1-11/16", 1-3/4", 2-1/8", 2-1/4", 2-7/16"

CATALOG #	DESCRIPTION	DEPTH	COLOR	PKG. TYPE	STD. PKG.	BARCODE
2-Gang In-Use Covers						
MM7440C	55-in-1 Jumbo	4.75"	Clear	Shrink	3	
MM7440G	55-in-1 Jumbo	4.75"	Gray	Shrink	3	
MM2410C	55-in-1 Standard	2.75"	Clear	Shrink	6	
MM2410G	55-in-1 Standard	2.75"	Gray	Shrink	6	
MM2420C	Extra Duty® 55-in-1 Standard	2.75"	Clear	Shrink	6	
MM2420G	Extra Duty® 55-in-1 Standard	2.75"	Gray	Shrink	6	

SEE END OF SECTION (PG C15) FOR DETAILED DRAWINGS >>



NON-METALLIC FLAT DEVICE COVERS

1-GANG

APPLICATIONS

- For use whenever weatherproof protection is required for an outdoor receptacle or switch.

PRODUCT FEATURES

- High-impact polycarbonate construction provides maximum durability
- Patented Quick-Fit™ keyhole mounting system allows installation in under a minute
- Includes attached gasket and mounting hardware
- Base configuration with patented Knock-Out™ technology for custom fitting
- Lockable tab
- Made in USA

COMPLIANCES

- UL File E116141
- 2014 NEC® compliant (article 406.9)
- NEMA 3R rated



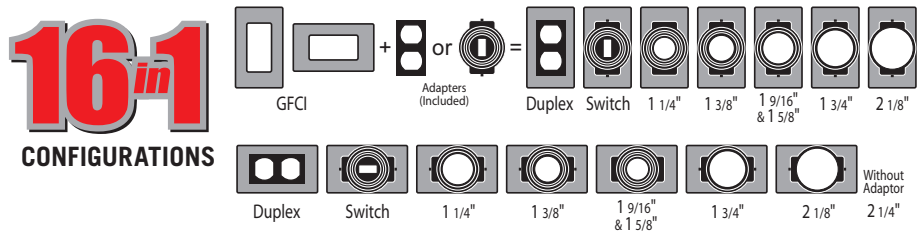
MM110C



MM110G



MM110W



2-GANG



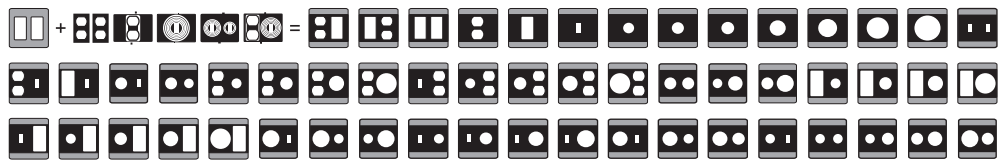
MM1410C



MM1410G



MM1410W



Multiple combinations of duplex, GFCI, switch, and rounds: 1-1/4", 1-3/8", 1-9/16", 1-5/8", 1-11/16", 1-3/4", 2-1/8", 2-1/4", 2-7/16"

CATALOG #	DESCRIPTION	DEPTH	COLOR	PKG. TYPE	STD. PKG.	BARCODE
1-Gang Flat Covers						
MM110C	Horizontal/Vertical 16-in-1	.625"	Clear	Shrink	10	
MM110G	Horizontal/Vertical 16-in-1	.625"	Gray	Shrink	10	
MM110W	Horizontal/Vertical 16-in-1	.625"	White	Shrink	10	
2-Gang Flat Covers						
MM1410C	55-in-1	.625"	Clear	Shrink	10	
MM1410G	55-in-1	.625"	Gray	Shrink	10	
MM1410W	55-in-1	.625"	White	Shrink	10	

SEE END OF SECTION (PG C17) FOR DETAILED DRAWINGS >>



NON-METALLIC LOW PROFILE WHILE-IN-USE COVERS

1-GANG



APPLICATIONS

- Low profile design that is expandable for weatherproof protection while an outlet is in use.

PRODUCT FEATURES

- Revolutionary patented design expands from 1" to 3-1/2" to for while-in-use needs
- 100% paintable surface
- Ultra rugged polycarbonate & synthetic neoprene rubber will not dry rot, crack or deteriorate in sunlight
- Includes attached gasket and mounting hardware
- Patented Quick-Fit™ keyhole mounting system allows installation in under a minute

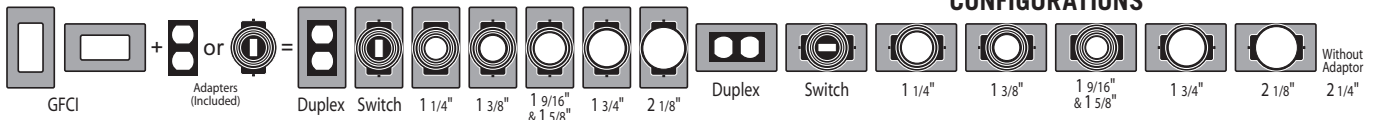
COMPLIANCES

- UL File E116141
- 2014 NEC® compliant (article 406.9)
- NEMA 3R rated

U.S. Patents: 8,101,861; 8,319,334; 8,053,671

16ⁱⁿ1

CONFIGURATIONS



2-GANG



55ⁱⁿ1

CONFIGURATIONS



Multiple Combinations of GFCI, Duplex, Switch, and Rounds:
1-1/4" 1-3/8" 1-9/16" 1-11/16" 2-1/8" 2-1/4" 2-7/16" & 1-5/8"

CATALOG #	DESCRIPTION	DEPTH	COLOR	PKG. TYPE	STD. PKG.	BARCODE
1-Gang Flat Expandable In-Use Covers						
ML450G	16-in-1 Flat Expandable Vertical/Horizontal	1" to 3.5"	Gray	Shrink	10	
ML450W	16-in-1 Flat Expandable Vertical/Horizontal	1" to 3.5"	White	Shrink	10	
ML450Z	16-in-1 Flat Expandable Vertical/Horizontal	1" to 3.5"	Bronze	Shrink	10	
ML500G	16-in-1 Flat Expandable Vertical/Horizontal, Extra Duty®	1" to 3.5"	Gray	Shrink	10	
ML500W	16-in-1 Flat Expandable Vertical/Horizontal, Extra Duty®	1" to 3.5"	White	Shrink	10	
ML500Z	16-in-1 Flat Expandable Vertical/Horizontal, Extra Duty®	1" to 3.5"	Bronze	Shrink	10	
2-Gang Flat Expandable In-Use Covers						
ML2450G	55-in-1 Flat Expandable	1" to 3.5"	Gray	Shrink	6	
ML2500G	55-in-1 Flat Expandable, Extra Duty®	1" to 3.5"	Gray	Shrink	6	

SEE END OF SECTION (PG C17) FOR DETAILED DRAWINGS >>



NON-METALLIC RECEPTACLE / COVER COMBOS AND COMPLETE KITS

IN-USE COVER COMBOS AND COMPLETE KITS

APPLICATIONS

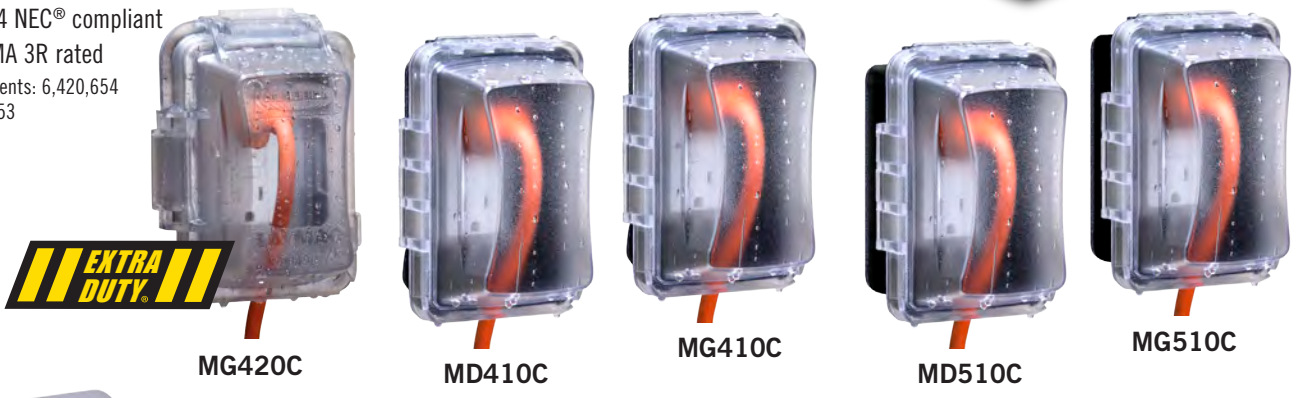
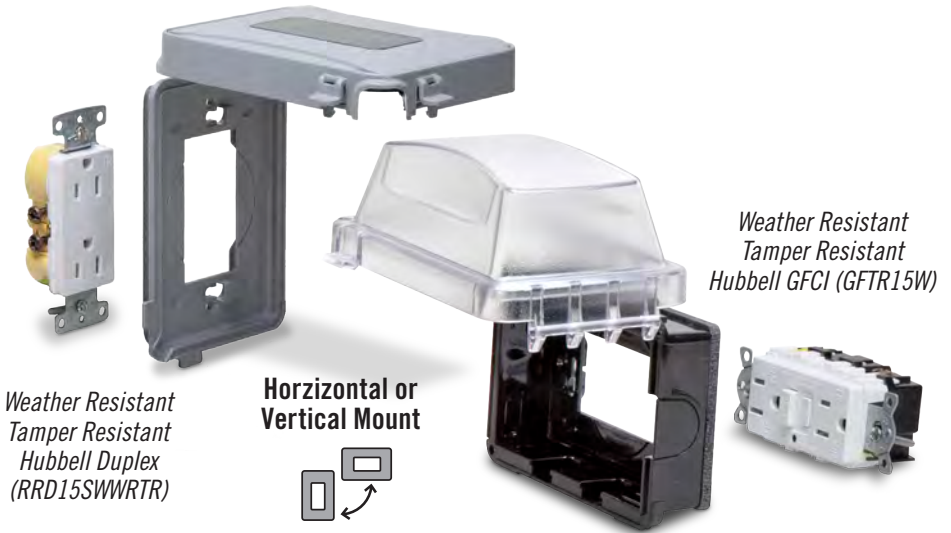
- Receptacle and cover combos for use whenever weatherproof protection is required while receptacle is in use.

PRODUCT FEATURES

- High quality Hubbell WRTR device included
- Patented Quick-Fit™ keyhole mounting system allows cover installation in under a minute
- Includes attached gasket and hardware
- Lockable tab
- Includes receptacle and cover
- Installation instructions and mounting hardware included

COMPLIANCES

- UL File E313240
 - 2014 NEC® compliant
 - NEMA 3R rated
- U.S. Patents: 6,420,654
6,420,653



CATALOG #	DESCRIPTION	DEPTH	COLOR	PKG. TYPE	STD. PKG.	BARCODE
Receptacle / In-Use Cover Combos						
MD410C	Hubbell WRTR 15 AMP Decorator Duplex / Cover Combo	2.75"	Clear	Shrink	10	
MG410C	Hubbell WRTR 15 AMP GFCI / Cover Combo	2.75"	Clear	Shrink	10	
MD510C	Hubbell WRTR 15 AMP Decorator Duplex / Deep Cover Combo	3.25"	Clear	Shrink	8	
MG510C	Hubbell WRTR 15 AMP GFCI / Deep Cover Combo	3.25"	Clear	Shrink	8	
MG420C	Hubbell WRTR 15 AMP GFCI / Extra Duty® Cover Combo	2.75"	Clear	Shrink	4	
MD450G	Hubbell WRTR 15 AMP Duplex / Expandable Cover Combo	2.75"	Clear	Shrink	4	
MG450G	Hubbell WRTR 15 AMP GFCI / Expandable Cover Combo	2.75"	Clear	Shrink	4	
Complete In-Use Cover Kits						
MKG410C	In-Use Cover, Box and Hubbell WRTR 15A GFCI Kit	2.75"	Clear/Black/Gray	Box	4	
MKG420C	Extra Duty® In-Use Cover, Box and Hubbell WRTR 15A GFCI Kit	2.75"	Clear/Black/Gray	Box	4	

SEE END OF SECTION (PG C18) FOR DETAILED DRAWINGS >>



RECEPTACLE / METAL COVER COMBOS AND COMPLETE KITS

FLIP COVER COMBOS



MD1050S



MG1050S



MD1250S



MG1250S

APPLICATIONS

- Receptacle and metal cover combos for use whenever weatherproof protection is required.

PRODUCT FEATURES

- High quality Hubbell WRTR device included
- Heavy duty die-cast metal construction
- Includes gasket and mounting hardware
- Premium powdercoat finish
- Lockable tab
- Includes receptacle and cover

COMPLIANCES

- UL File E212332
- 2014 NEC® compliant
- NEMA 3R rated

U.S. Patents: D 569,811; 6,420,653

METAL IN-USE COVER COMBOS AND COMPLETE KITS



CATALOG #	DESCRIPTION	DEPTH	COLOR	PKG. TYPE	STD. PKG.	BARCODE
Receptacle / Flip Cover Combos						
MD1050S	Hubbell WRTR 15A Duplex / Vertical/Horizontal Flip Cover Combo		Gray	Shrink	8	
MG1050S	Hubbell WRTR 15A GFCI / Vertical/Horizontal Flip Cover Combo		Gray	Shrink	8	
MD1250S	Hubbell WRTR 15A Duplex / Horizontal/Vertical Flip Cover Combo		Gray	Shrink	8	
MG1250S	Hubbell WRTR 15A GFCI / Horizontal/Vertical Flip Cover Combo		Gray	Shrink	8	
Receptacle / Metal In-Use Cover Combos						
MD5881-0	Hubbell WRTR 15A Duplex / Vertical In-Use Metal Cover Combo	3"	Gray	Shrink	4	
MG5881-0	Hubbell WRTR 15A GFCI / Vertical In-Use Metal Cover Combo	3"	Gray	Shrink	4	
MD5802-0	Hubbell WRTR 15A Duplex / Horizontal In-Use Metal Cover Combo	3"	Gray	Shrink	3	
MG5802-0	Hubbell WRTR 15A GFCI / Horizontal In-Use Metal Cover Combo	3"	Gray	Shrink	3	
Complete Metal In-Use Cover Kits						
MKG4280S	In-Use Cover, Box and Hubbell WRTR 15A GFCI Kit	3.5"	Gray	Clamshell	4	

SEE END OF SECTION (PG C19-C20) FOR DETAILED DRAWINGS >>



METAL WHILE-IN-USE COVERS

APPLICATIONS

- Designed for use whenever weatherproof protection is required while an outlet is in use.

PRODUCT FEATURES

- Heavy duty die-cast metal construction
- Meets or exceeds Extra Duty® specifications
- Patented Quick-Fit™ keyhole mounting system allows cover installation in under a minute
- Includes gasket and mounting hardware
- Base configuration with patented Knock-Out™ technology for custom fitting
- Premium powdercoat finish
- Lockable tab

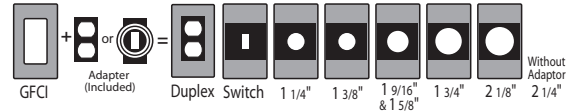
COMPLIANCES

- File E212332
 - 2014 NEC® compliant
 - NEMA 3R rated
- U.S. Patent 8,314,334



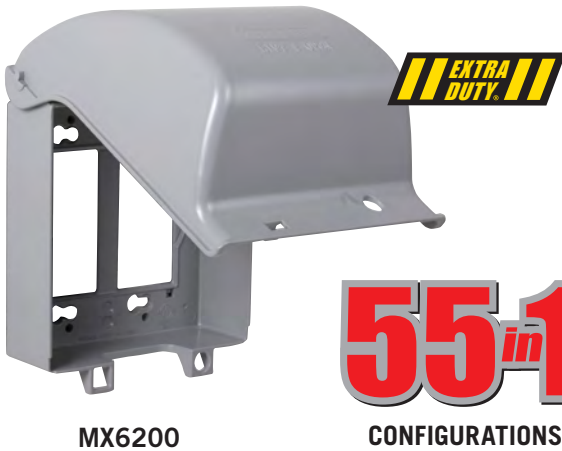
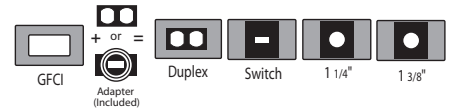
8ⁱⁿ1

CONFIGURATIONS



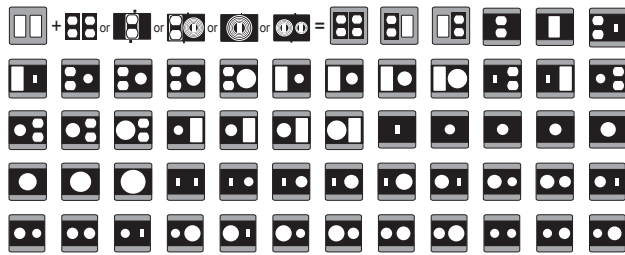
8ⁱⁿ1

CONFIGURATIONS



55ⁱⁿ1

CONFIGURATIONS



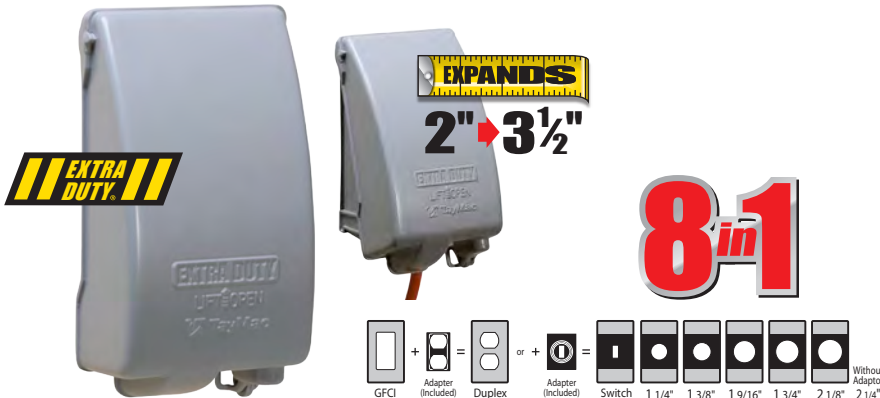
Multiple combinations of duplex, GFCI, switch, and rounds: 1 1/4", 1 3/8", 1 9/16", 1 5/8", 1 11/16", 2 1/8", 2 1/4", 2 7/16"

CATALOG #	DESCRIPTION	DEPTH	COLOR	PKG. TYPE	STD. PKG.	BARCODE
Metal In-Use Covers						
MX3200	Vertical 8-in-1	3.5"	Gray	Shrink	4	
MX3300	Horizontal 8-in-1	3.5"	Gray	Shrink	4	
MX6200	2-Gang 55-in-1	3.5"	Gray	Shrink	4	

SEE END OF SECTION (PG C20) FOR DETAILED DRAWINGS >>



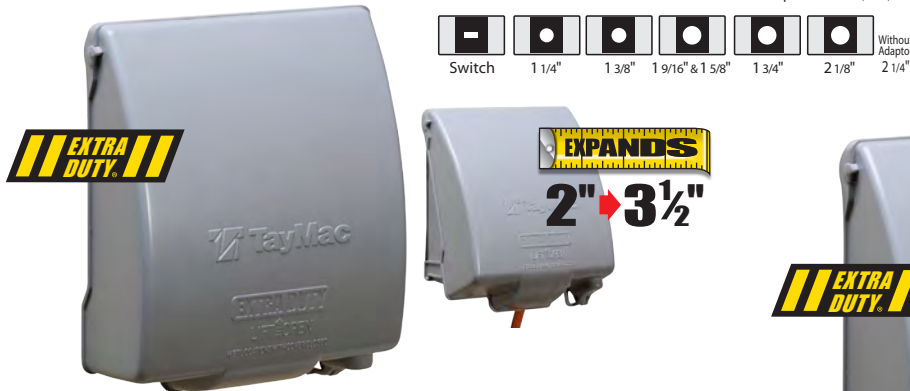
METAL LOW PROFILE WHILE-IN-USE COVERS



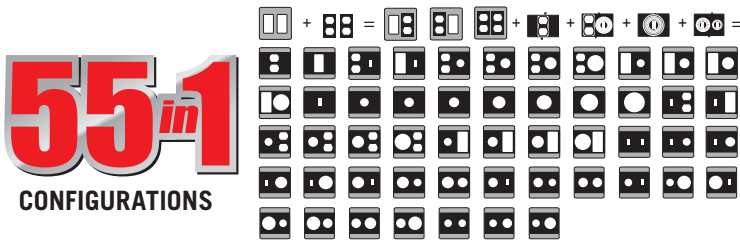
MX4280S, MX4280WH, MX4280Z



MX4380S



MX7280S



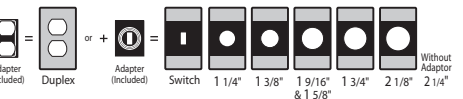
55-in-1 CONFIGURATIONS

Multiple combinations of duplex, GFCI, switch, and rounds:
1 1/4", 1 3/8", 1 9/16", 1 5/8", 1 11/16", 2 1/8", 2 1/4", 2 7/16"



MX52800S

CONFIGURATIONS



APPLICATIONS

- Designed for use whenever weatherproof protection is required while an outlet is in use.

PRODUCT FEATURES

- Heavy duty die-cast metal construction
- Meets or exceeds Extra Duty® specifications
- Patented Quick-Fit™ keyhole mounting system allows cover installation in under a minute
- Includes gasket and mounting hardware
- Base configuration with patented Knock-Out™ technology for custom fitting
- Premium powdercoat finish
- Lockable open or closed and fits fullsize padlock

COMPLIANCES

- UL File E212332
 - 2014 NEC® compliant
 - NEMA 3R rated
- U.S. Patents: 8,314,334; 8,259,253 B1; 6,420,654; 8,106,295 B1

CATALOG #	DESCRIPTION	DEPTH	COLOR	PKG. TYPE	STD. PKG.	BARCODE
Metal Low Profile In-Use Covers						
MX4280S	Vertical 8-in-1	2" to 3-1/2"	Gray	Shrink	6	
MX4280WH	Vertical 8-in-1	2" to 3-1/2"	White	Shrink	6	
MX4280Z	Vertical 8-in-1	2" to 3-1/2"	Bronze	Shrink	6	
MX4380S	Horizontal 8-in-1	2" to 3-1/2"	Gray	Shrink	3	
MX5280S	Vertical Deep 8-in-1	2-1/2" to 4-1/2"	Gray	Shrink	2	
MX7280S	Vertical 2-Gang 55-in-1	2" to 3-1/2"	Gray	Shrink	2	

SEE END OF SECTION (PG C21) FOR DETAILED DRAWINGS >>

WEATHERPROOF ACCESSORIES

APPLICATIONS

- For use in conjunction with other weatherproof products.



GK240



GS100



GS400



HB75W



GK300



(Round box not included)

PRBA400G



SG100S

CATALOG #	DESCRIPTION	COLOR	PKG. TYPE	STD. PKG.	BARCODE
Gaskets					
GK240	Bag of 2 Lampholder Gaskets	Black	Poly Bag	15	
GK300	Kit of Six Gaskets: (2) 1-Gang, (2) 2-Gang and (2) Round Outlet Box	Black	Poly Bag	10	
GS100	2 Pack 1-Gang Gaskets	Black	Poly Bag	20	
GS400	2 Pack 3-Gang Gaskets	Black	Poly Bag	10	
Halogen Replacement Bulbs					
HB75W	75W Halogen Bulb (GY 8.6 TYPE 4)	Clear	Poly Bag	20	
Ground Spike					
SG100S	9" Die Cast Metal, Fits 1/2" Hole	Gray	—	12	
Round Box Adapter					
PRBA400G	Plastic Round Box Adapter (Use to install outdoor device cover on round receptacle box)	Gray	—	10	

SEE END OF SECTION (PG C22) FOR DETAILED DRAWINGS >>



PROOF CONDUIT BODIES



LB Assembly
RLB050 – RLB400



C Assembly
RLC050 – RLC400



LL Assembly
RLL050 – RLL400



LR Assembly
RLR050 – RLR400



T Assembly
RLT050 – RLT400



SLB
RSLB050 – RSLB200

APPLICATIONS

- For use with threaded Rigid/IMC conduit for pulling access or to split a run into multiple directions. Removable cover allows access for maintenance and making taps and splices to conductors.

PRODUCT FEATURES

- Durable die cast aluminum construction
- Premium powder coat finish
- Includes NBR synthetic rubber gasket
- Stamped steel cover
- Combination head screw

COMPLIANCES

- File E331564
- 2014 NEC® compliant
- NEMA 3R rated

CATALOG #	DESCRIPTION	SIZE	STD. PKG.	BARCODE
Threaded Conduit Fittings: LB Assembly				
RLB050	Threaded LB Assembly	1/2"	10	
RLB075	Threaded LB Assembly	3/4"	10	
RLB100	Threaded LB Assembly	1"	5	
RLB125	Threaded LB Assembly	1 1/4"	2	
RLB150	Threaded LB Assembly	1 1/2"	2	
RLB200	Threaded LB Assembly	2"	2	
RLB250	Threaded LB Assembly	2 1/2"	1	
RLB300	Threaded LB Assembly	3"	1	
RLB350	Threaded LB Assembly	3 1/2"	1	
RLB400	Threaded LB Assembly	4"	1	
Threaded Conduit Fittings: C Assembly				
RLC050	Threaded C Assembly	1/2"	5	
RLC075	Threaded C Assembly	3/4"	5	
RLC100	Threaded C Assembly	1"	5	
RLC125	Threaded C Assembly	1 1/4"	2	
RLC150	Threaded C Assembly	1 1/2"	2	
RLC200	Threaded C Assembly	2"	2	
RLC250	Threaded C Assembly	2 1/2"	1	
RLC300	Threaded C Assembly	3"	1	
RLC350	Threaded C Assembly	3 1/2"	1	
RLC400	Threaded C Assembly	4"	1	
Threaded Conduit Fittings: LL Assembly				
RLL050	Threaded LL Assembly	1/2"	5	
RLL075	Threaded LL Assembly	3/4"	5	
RLL100	Threaded LL Assembly	1"	5	
RLL125	Threaded LL Assembly	1 1/4"	2	
RLL150	Threaded LL Assembly	1 1/2"	2	
RLL200	Threaded LL Assembly	2"	2	
RLL250	Threaded LL Assembly	2 1/2"	1	
RLL300	Threaded LL Assembly	3"	1	
RLL350	Threaded LL Assembly	3 1/2"	1	
RLL400	Threaded LL Assembly	4"	1	

CATALOG #	DESCRIPTION	SIZE	STD. PKG.	BARCODE
Threaded Conduit Fittings: LR Assembly				
RLR050	Threaded LR Assembly	1/2"	5	
RLR075	Threaded LR Assembly	3/4"	5	
RLR100	Threaded LR Assembly	1"	5	
RLR125	Threaded LR Assembly	1 1/4"	2	
RLR150	Threaded LR Assembly	1 1/2"	2	
RLR200	Threaded LR Assembly	2"	2	
RLR250	Threaded LR Assembly	2 1/2"	1	
RLR300	Threaded LR Assembly	3"	1	
RLR350	Threaded LR Assembly	3 1/2"	1	
RLR400	Threaded LR Assembly	4"	1	
Threaded Conduit Fittings: T Assembly				
RLT050	Threaded T Assembly	1/2"	5	
RLT075	Threaded T Assembly	3/4"	5	
RLT100	Threaded T Assembly	1"	5	
RLT125	Threaded T Assembly	1 1/4"	2	
RLT150	Threaded T Assembly	1 1/2"	2	
RLT200	Threaded T Assembly	2"	2	
RLT250	Threaded T Assembly	2 1/2"	1	
RLT300	Threaded T Assembly	3"	1	
RLT350	Threaded T Assembly	3 1/2"	1	
RLT400	Threaded T Assembly	4"	1	
Threaded Conduit Fittings: SLB				
RSLB050	Threaded Service Entrance Elbow	1/2"	10	
RSLB075	Threaded Service Entrance Elbow	3/4"	5	
RSLB100	Threaded Service Entrance Elbow	1"	3	
RSLB125	Threaded Service Entrance Elbow	1 1/4"	2	
RSLB150	Threaded Service Entrance Elbow	1 1/2"	2	
RSLB200	Threaded Service Entrance Elbow	2"	2	

SEE END OF SECTION (PG C23-C25) FOR DETAILED DRAWINGS >>



SERVICE ENTRANCE HEADS


APPLICATIONS

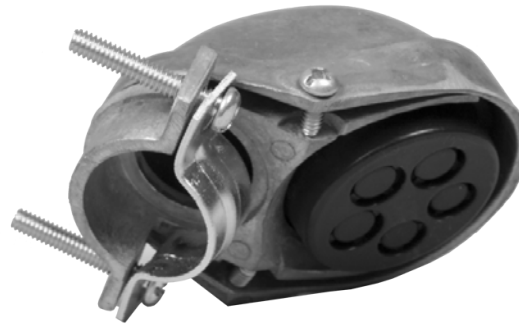
- Provides an entry point for bringing overhead electrical service into buildings.

PRODUCT FEATURES

- Durable die cast aluminum construction
- Removeable insulator with multiple holes
- Clamp-on type
- Listed for use in wet locations
- Use with threaded or unthreaded rigid conduit, IMC or EMT

COMPLIANCES

-  File E331564
- 2014 NEC® compliant
- NEMA 3R rated



**Clamp-On Service Entrance Heads
NEC050 – NEC400**

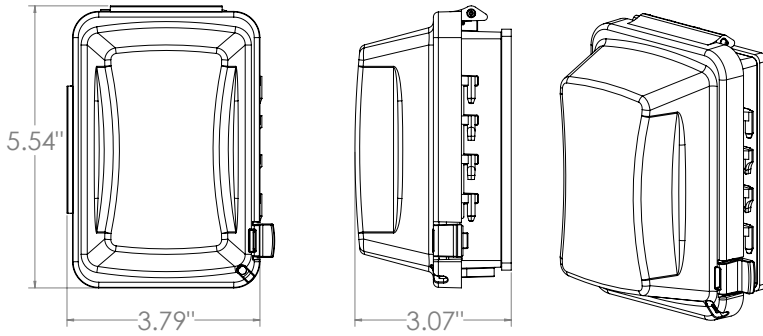
CATALOG #	DESCRIPTION	SIZE	STD. PKG.	BARCODE
Service Entrance Heads: Clamp-On				
NEC050	Clamp-On Entrance Head	1/2"	10	
NEC075	Clamp-On Entrance Head	3/4"	10	
NEC100	Clamp-On Entrance Head	1"	5	
NEC125	Clamp-On Entrance Head	1-1/4"	5	
NEC150	Clamp-On Entrance Head	1-1/2"	5	
NEC200	Clamp-On Entrance Head	2"	3	
NEC250	Clamp-On Entrance Head	2-1/2"	2	
NEC300	Clamp-On Entrance Head	3"	1	
NEC350	Clamp-On Entrance Head	3-1/2"	1	
NEC400	Clamp-On Entrance Head	4"	1	

SEE END OF SECTION (PG C25) FOR DETAILED DRAWINGS >>

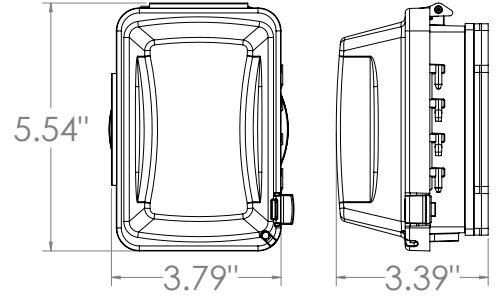


PLASTIC WHILE-IN-USE COVERS

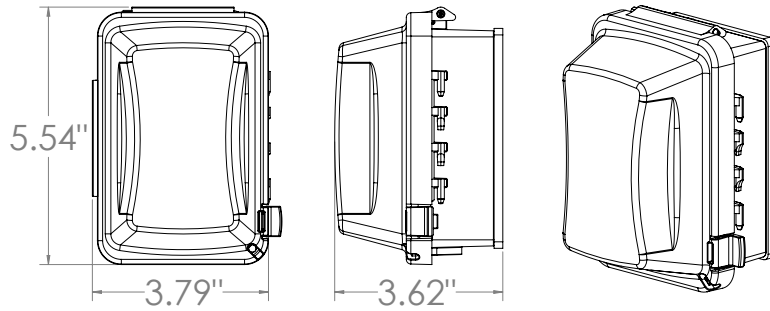
MM410



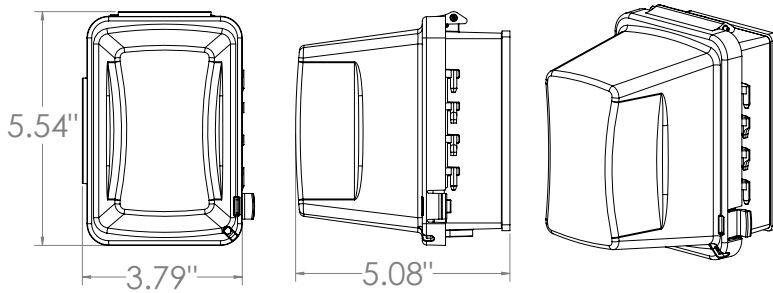
MM410CA (Round Box Adapter Plate)



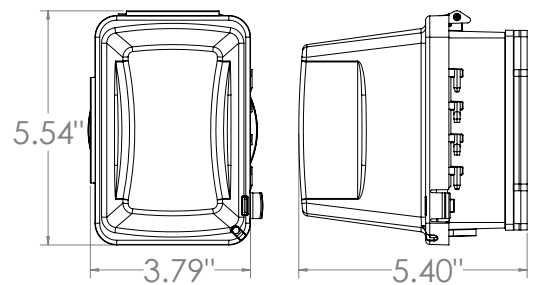
MM510



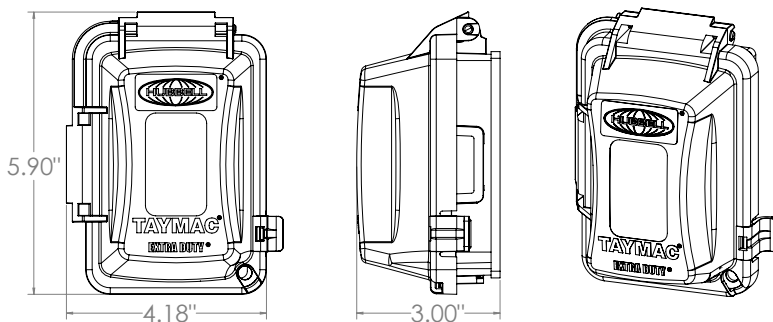
MM710



MM710CA (Round Box Adapter Plate)

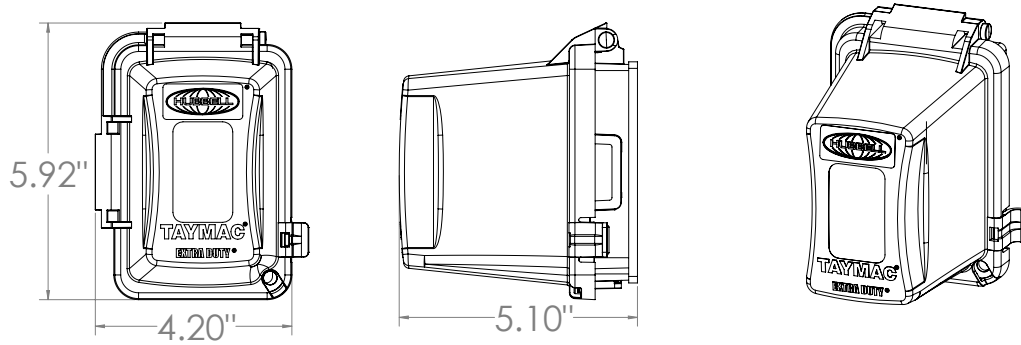


MM420

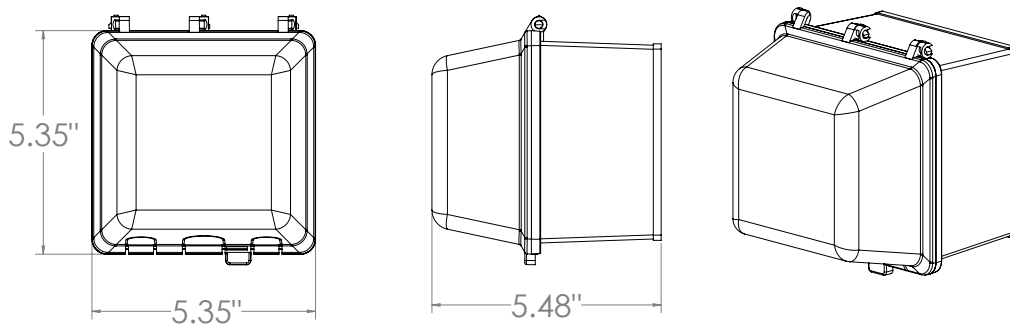


PLASTIC WHILE-IN-USE COVERS

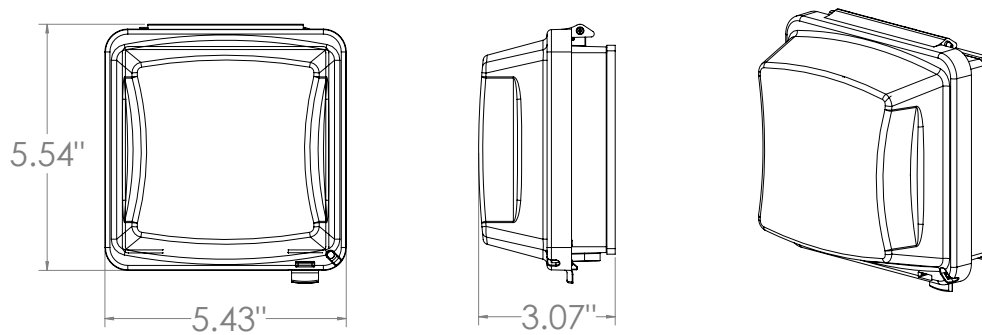
MM720



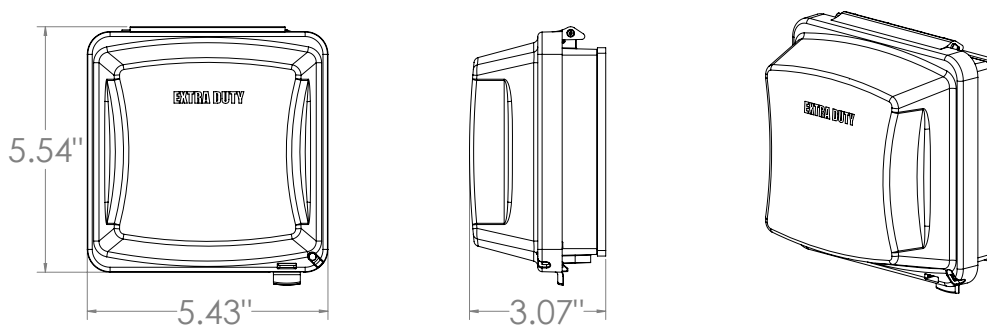
MM7440



MM2410



MM2420

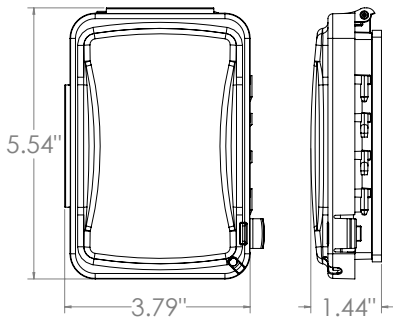


PROOF

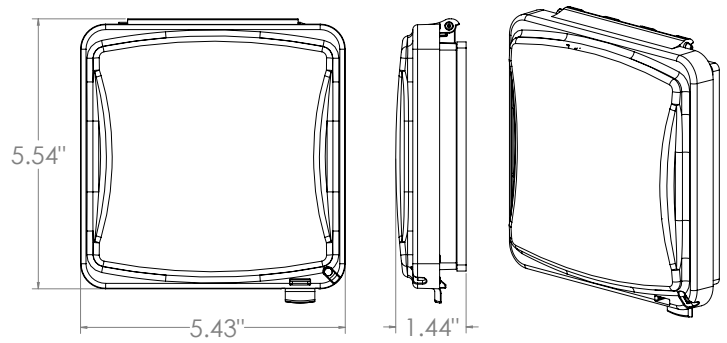
DETAILED DRAWINGS

PLASTIC FLAT COVERS

MM110

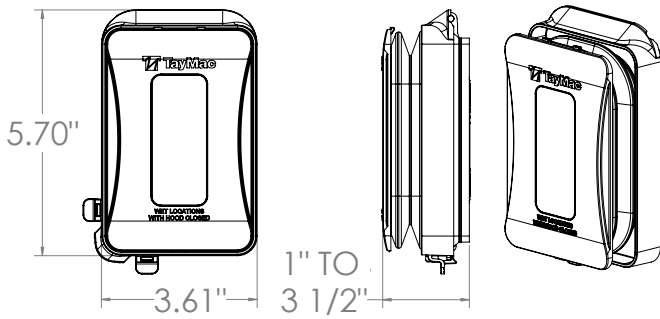


MM1410

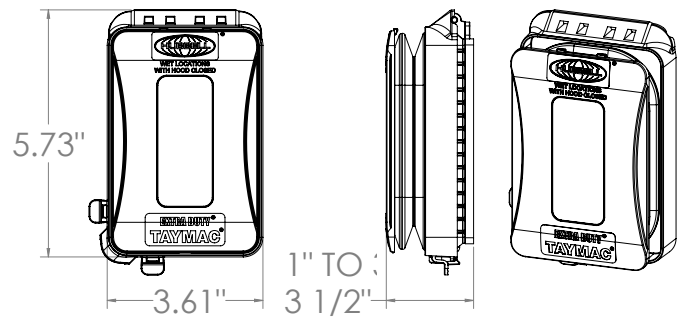


LOW PROFILE IN-USE COVERS

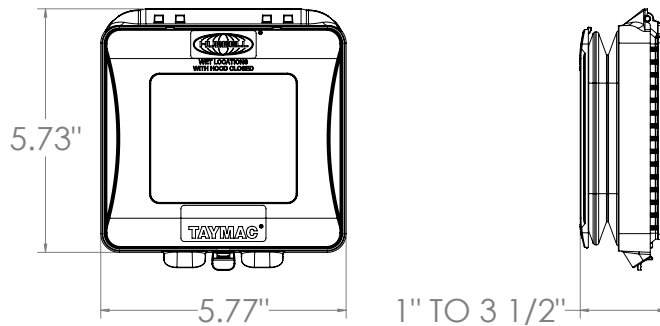
ML450



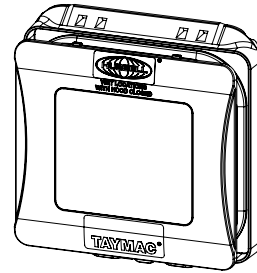
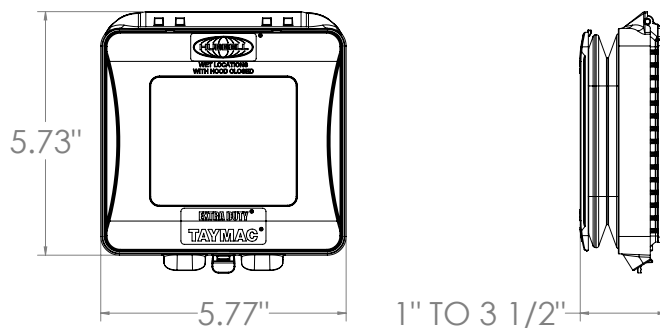
ML500



ML2450

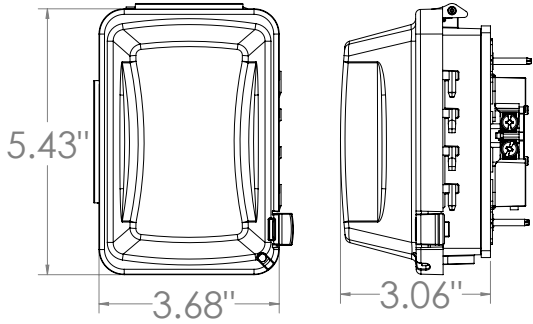


ML2500

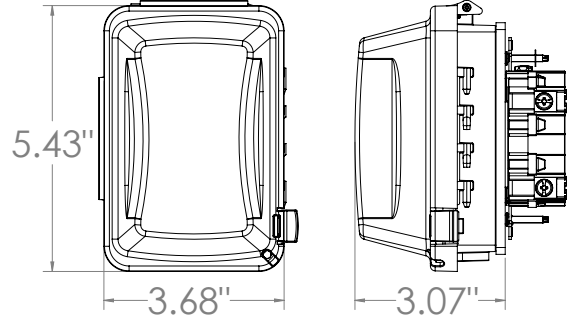


IN-USE COVER COMBOS

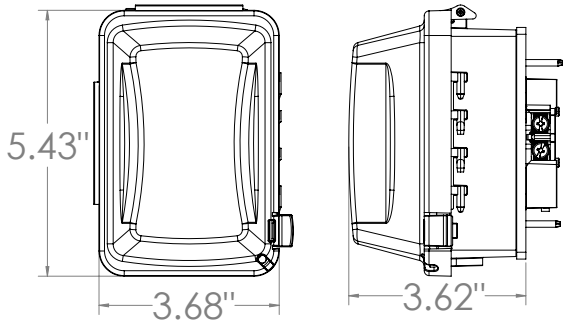
MD410



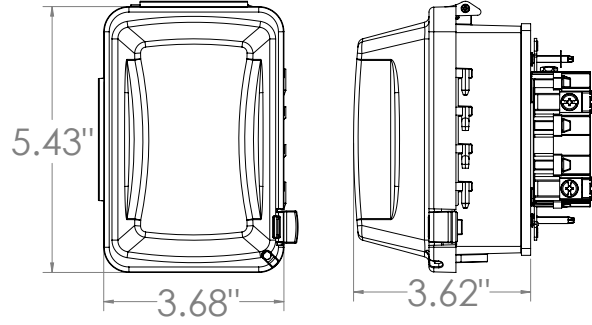
MG410



MD510

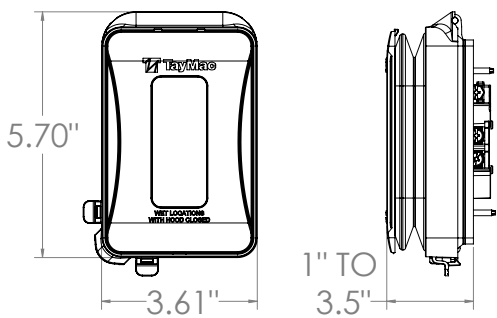


MG510

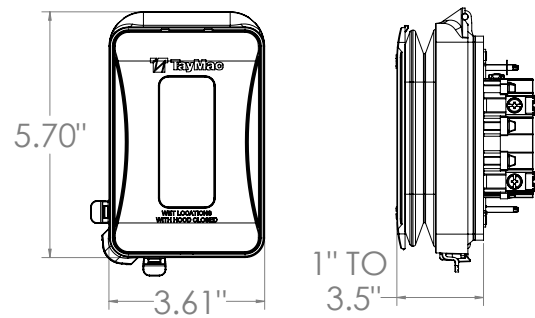


IN-USE COVER COMBOS AND KITS

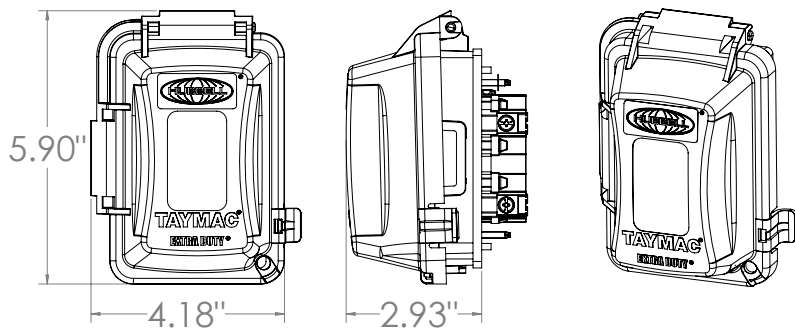
MD450



MG450

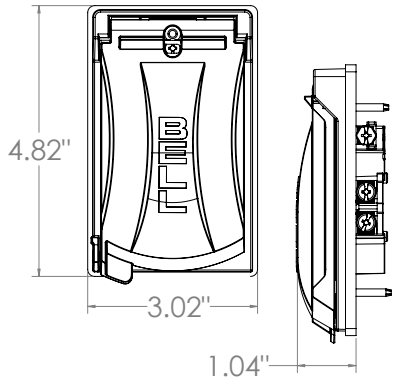


MG420

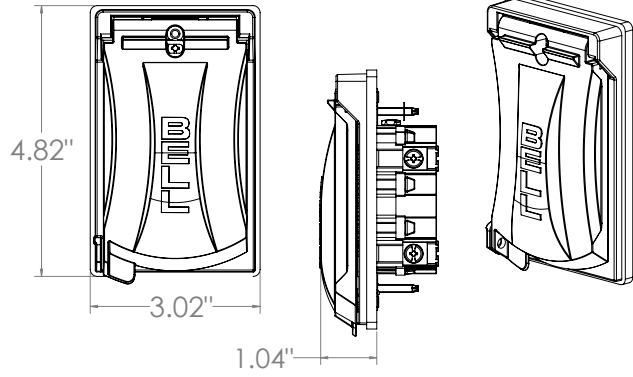


FLIP COVER COMBOS

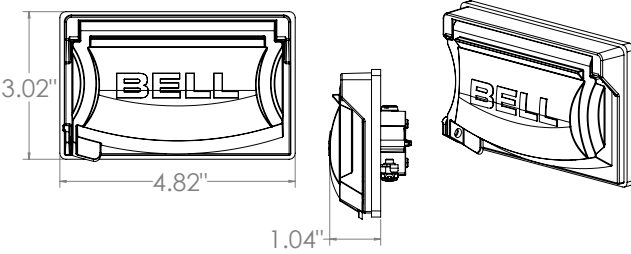
MD1050S



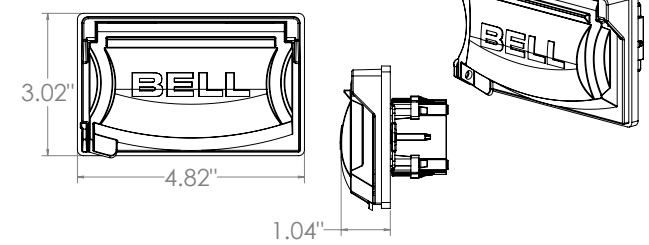
MG1050S



MD1250S

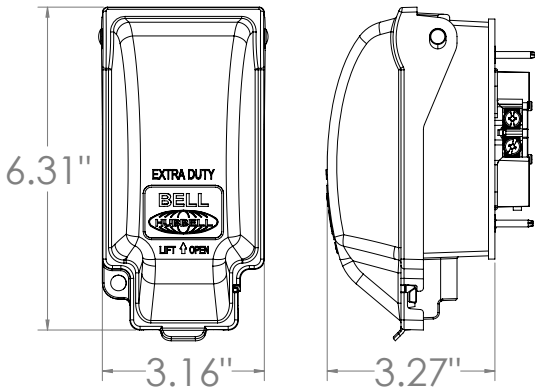


MG1250S

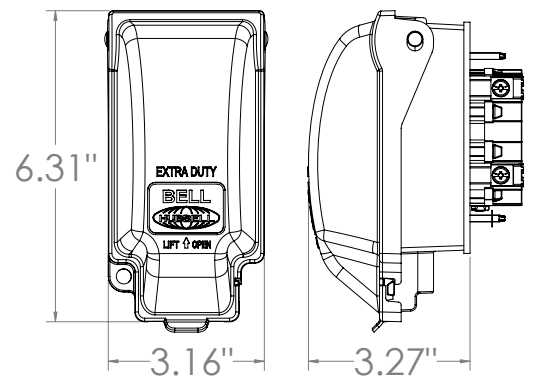


METAL IN-USE COVER COMBOS

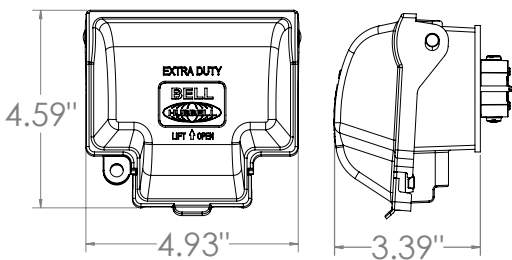
MD5881



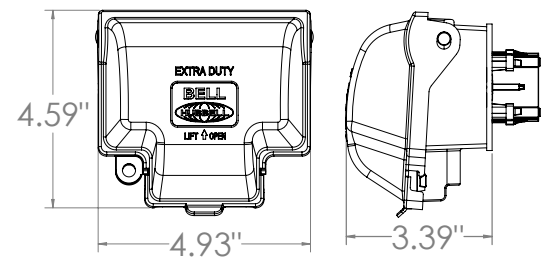
MG5881



MD5802



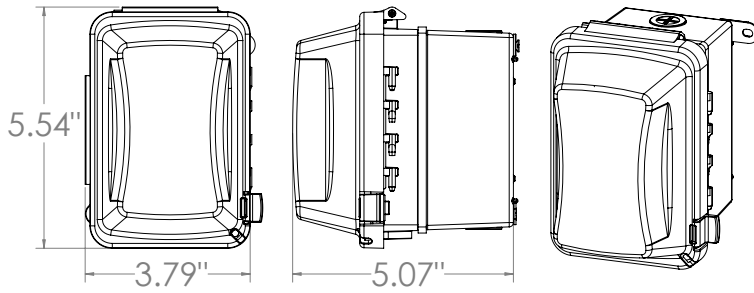
MG5802



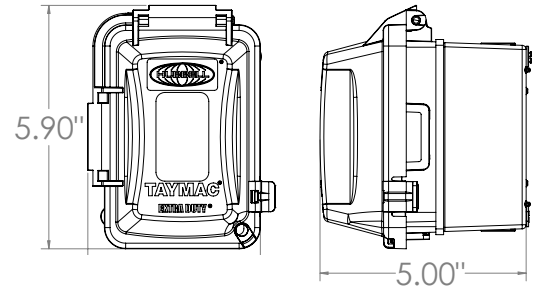
DETAILED DRAWINGS

COMPLETE KITS

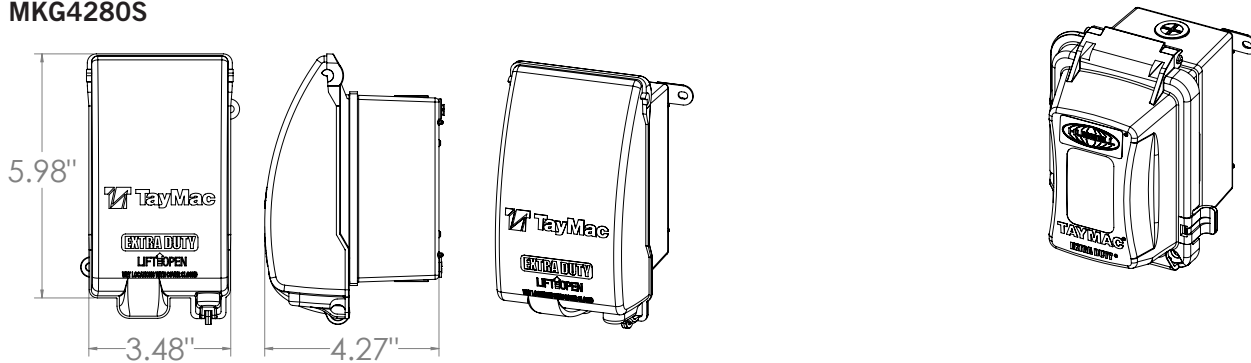
MKG410C



MKG420C

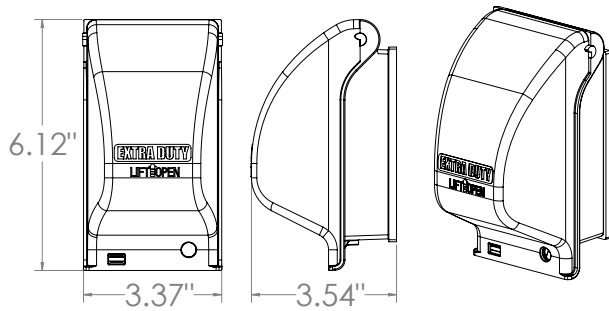


MKG4280S

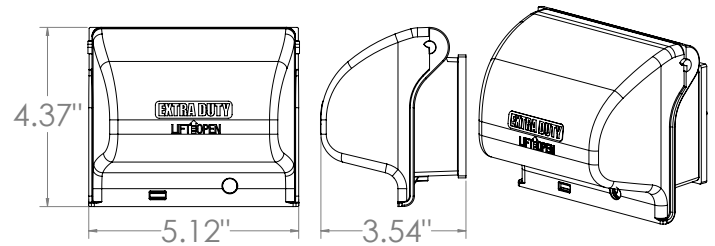


METAL IN-USE COVERS

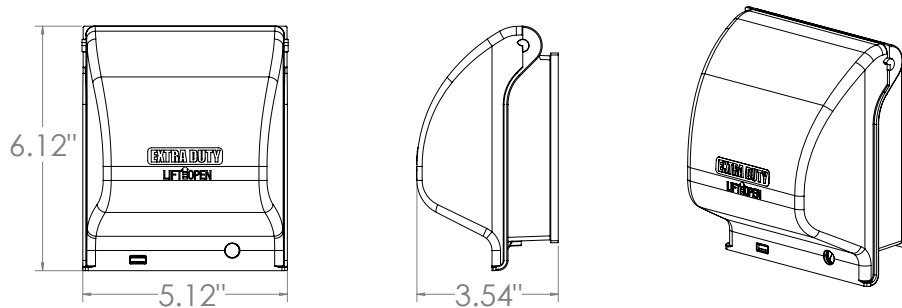
MX3200



MX3300



MX6200

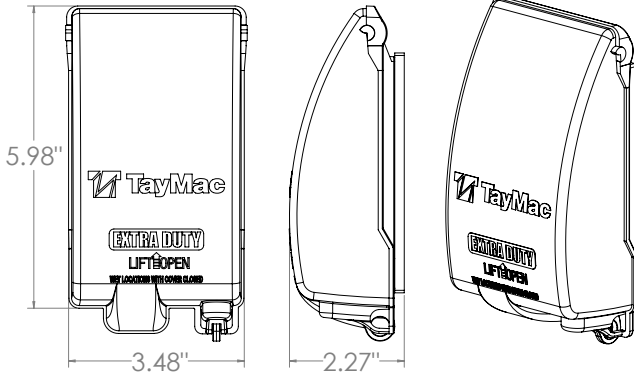


PROOF

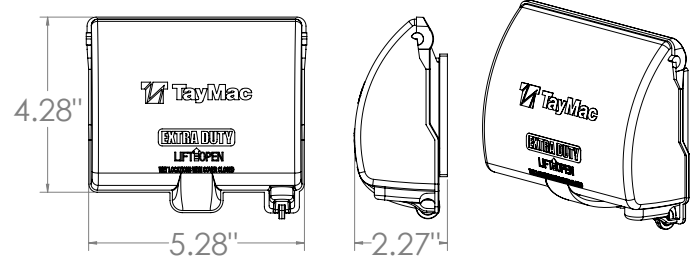
DETAILED DRAWINGS

METAL IN-USE COVERS

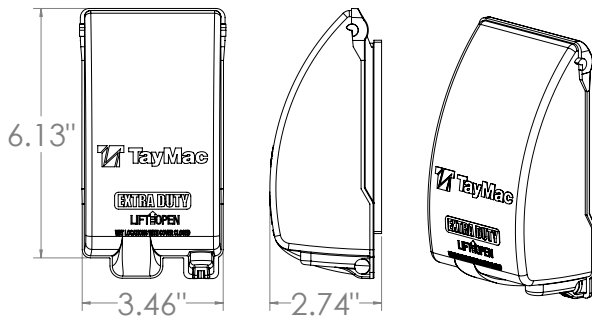
MX4280S



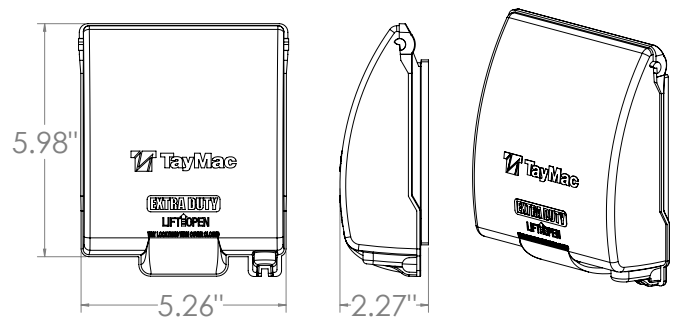
MX4380S



MX52800S

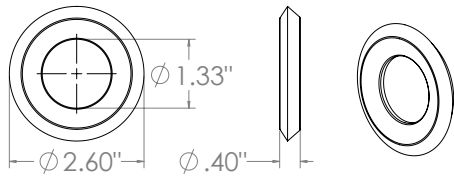


MX7280S

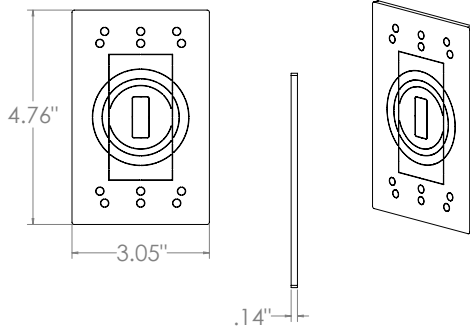


ACCESSORIES

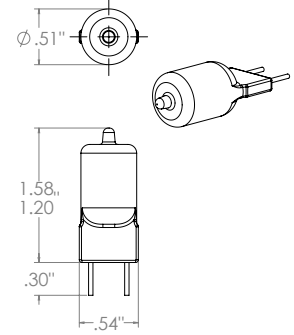
GK240



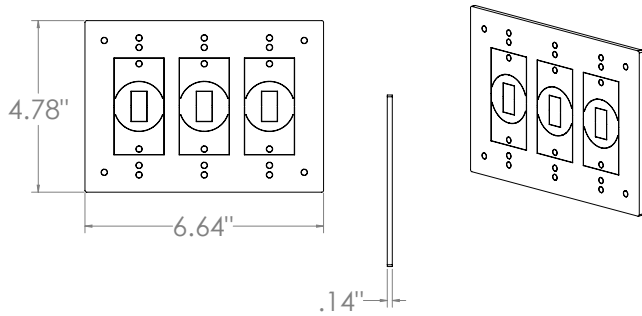
GS100



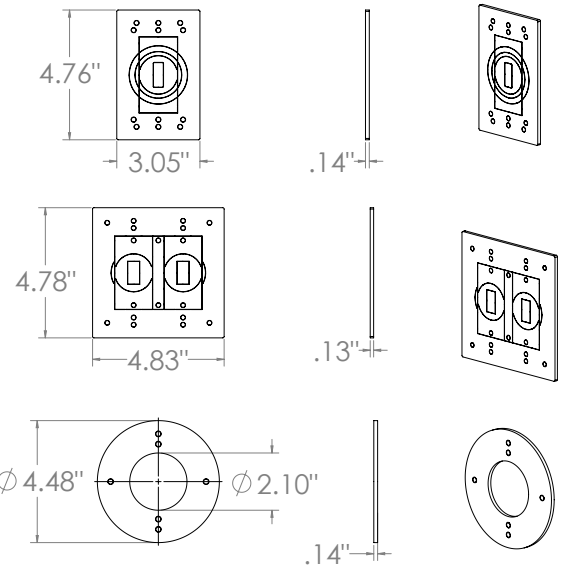
HB75W



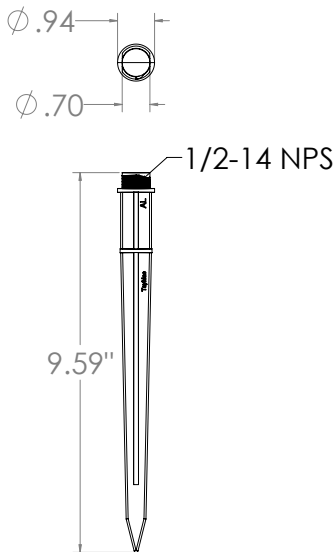
GS400



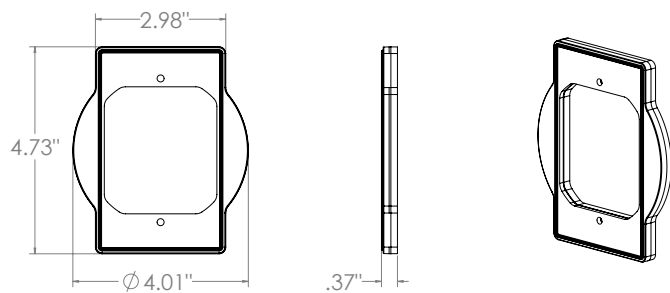
GK300



SG100S



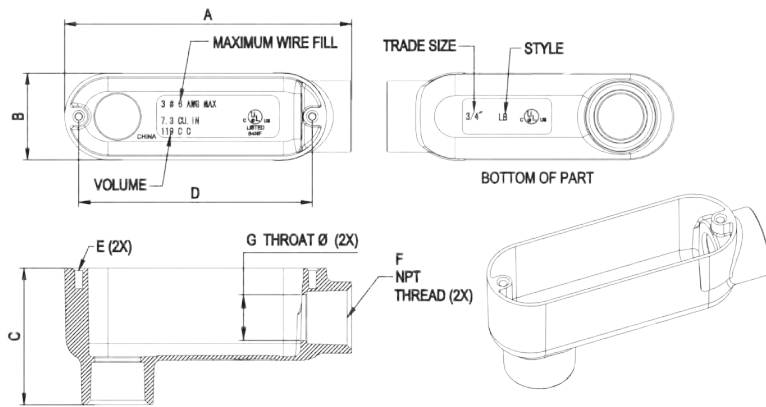
PRBA400G



CONDUIT BODIES

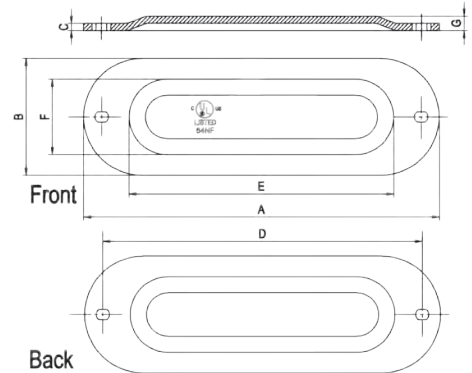
RLB

TRADE SIZE	CATALOG NUMBER	A	B	C	D ±0.010 [.25]	E TAPPED HOLES	F NPT THREAD	G THROAT DIA +0/-0.020[0.51]	VOLUME	MAXIMUM WIRE FILL
1/2"	RLB050	4.31	1.34	2.09	3.500	#8-32UNC-2B	1/2-14NPT	0.612	4.3 CU.IN	
		109.5	34.0	53.1	88.90			15.54	70 CC	
3/4"	RLB075	5.08	1.56	2.39	4.125	#8-32UNC-2B	3/4-14NPT	0.814	7.3 CU.IN	3 # 6 AWG MAX
		129.0	39.6	60.7	104.78			20.68	119 CC	
1"	RLB100	5.92	1.82	2.78	4.830	#8-32UNC-2B	1-11 1/2NPT	1.039	12.0 CU.IN	3 # 4 AWG MAX
		150.4	46.2	70.6	122.68			26.39	196 CC	
1-1/4"	RLB125	7.82	2.51	3.52	6.500	#12-24UNC-2B	1-1/4-11 1/2NPT	1.370	32.3 CU.IN	3 # 2 AWG MAX
		198.6	63.8	89.4	165.10			34.80	529 CC	
1-1/2"	RLB150	7.82	2.51	3.52	6.500	#12-24UNC-2B	1-1/2-11 1/2NPT	1.600	34.2 CU.IN	3 # 2 AWG MAX
		198.6	63.8	89.4	165.10			40.64	560 CC	
2"	RLB200	10.05	3.19	4.51	8.562	#12-24UNC-2B	2-11 1/2NPT	2.057	71.4 CU.IN	3 # 2/0 MAX
		255.3	81.0	114.6	217.47			52.25	1170 CC	
2-1/2"	RLB250	12.83	4.49	5.31	11.250	#5/16UNC-2B	2-1/2-8NPT	2.459	157.4 CU.IN	3 # 4/0 MAX
		325.9	114.0	134.9	285.75			62.46	2579 CC	
3"	RLB300	12.83	4.49	5.91	11.250	#5/16UNC-2B	3-8NPT	3.058	179.8 CU.IN	3 # 250 MAX
		325.9	114.0	150.1	285.75			77.67	2946 CC	
3-1/2"	RLB350	15.65	5.55	7.09	13.687	#5/16UNC-2B	3-1/2-8NPT	3.538	323.0 CU.IN	3 # 250 MAX
		397.5	141.0	180.1	347.65			89.87	5293 CC	
4"	RLB400	15.65	5.55	7.09	13.687	#5/16UNC-2B	4-8NPT	4.016	323.0 CU.IN	3 # 250 MAX
		397.5	141.0	180.1	347.65			102.01	5293 CC	



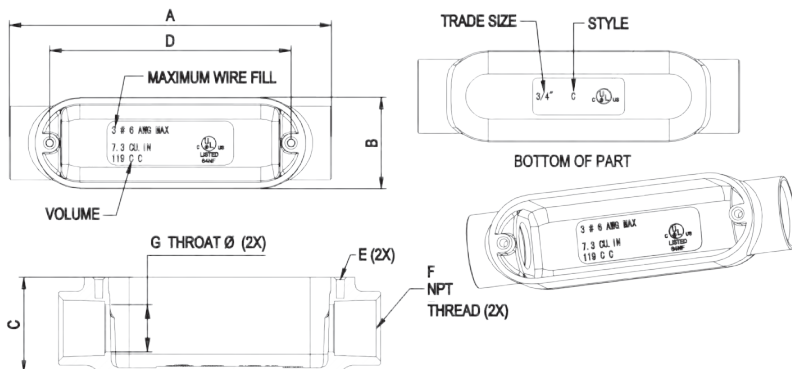
RLB/RLC/RL/RLR/RLT (cover plate)

TRADE SIZE	A	B	C	D ± 0.02	E	F	G
1/2"	3.900	1.340	0.070	3.500	2.890	0.827	0.181
	99.1	34.0	1.8	88.9	73.4	21.0	4.6
3/4"	4.665	1.535	0.070	4.126	3.465	0.886	0.181
	118.5	39.0	1.8	104.8	88.0	22.5	4.6
1"	5.374	1.732	0.070	4.831	4.291	1.400	0.181
	136.5	44.0	1.8	122.7	109.0	35.6	4.6
1-1/4"	7.283	2.500	0.070	6.500	5.827	1.437	0.181
	185.0	63.5	1.8	165.1	148.0	36.5	4.6
1-1/2"	7.283	2.500	0.070	6.500	5.827	1.437	0.181
	185.0	63.5	1.8	165.1	148.0	36.5	4.6
2"	9.488	3.150	0.070	8.563	7.539	1.732	0.181
	241.0	80.0	1.8	217.5	191.5	44.0	4.6
2-1/2"	12.205	4.528	0.098	11.25	10.236	2.362	0.197
	310.0	115.0	2.5	285.8	260.0	60.0	5.0
3"	12.205	4.528	0.098	11.25	10.236	2.362	0.197
	310.0	115.0	2.5	285.8	260.0	60.0	5.0
3-1/2"	14.961	5.512	0.098	13.69	12.598	2.992	0.197
	380.0	140.0	2.5	347.6	320.0	76.0	5.0
4"	14.961	5.512	0.098	13.685	12.598	2.992	0.197
	380.0	140.0	2.5	347.6	320.0	76.0	5.0



RLC

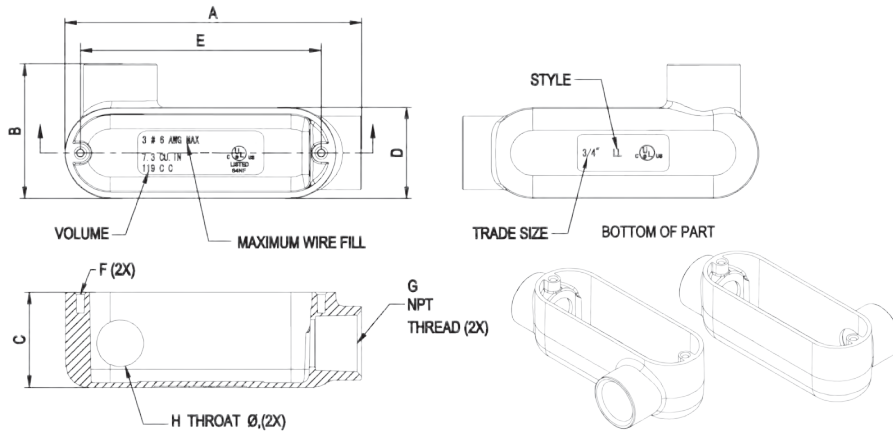
TRADE SIZE	CATALOG NUMBER	A	B	C	D ±0.010 [.25]	E TAPPED HOLES	F NPT THREAD	G THROAT DIA +0/-0.020[0.51]	VOLUME	MAXIMUM WIRE FILL
1/2"	RLC050	4.72	1.34	1.36	3.500	#8-32UNC-2B	1/2-14NPT	0.612	4.3 CU.IN	
		119.9	34.0	34.5	88.90			15.54	70 CC	
3/4"	RLC075	5.51	1.56	1.63	4.125	#8-32UNC-2B	3/4-14NPT	0.814	7.3 CU.IN	3 # 6 AWG MAX
		140.0	39.6	41.3	104.78			20.68	119 CC	
1"	RLC100	6.46	1.82	1.89	4.830	#8-32UNC-2B	1-11 1/2NPT	1.039	12.0 CU.IN	3 # 4 AWG MAX
		164.1	46.2	48.0	122.68			26.39	196 CC	
1-1/4"	RLC125	8.35	2.51	2.50	6.500	#12-24UNC-2B	1-1/4-11 1/2NPT	1.370	32.3 CU.IN	3 # 2 AWG MAX
		212.1	63.8	63.5	165.10			34.80	529 CC	
1-1/2"	RLC150	8.35	2.51	2.50	6.500	#12-24UNC-2B	1-1/2-11 1/2NPT	1.600	34.2 CU.IN	3 # 2 AWG MAX
		212.1	63.8	63.5	165.10			40.64	560 CC	
2"	RLC200	10.55	3.19	3.41	8.562	#12-24UNC-2B	2-11 1/2NPT	2.057	71.4 CU.IN	3 # 2/0 MAX
		268.0	81.0	86.6	217.47			52.25	1170 CC	
2-1/2"	RLC250	13.46	4.49	3.98	11.250	#5/16UNC-2B	2-1/2-8NPT	2.459	157.4 CU.IN	3 # 4/0 MAX
		341.9	114.0	101.1	285.75			62.46	2579 CC	
3"	RLC300	13.46	4.49	4.53	11.250	#5/16UNC-2B	3-8NPT	3.058	179.8 CU.IN	3 # 250 MAX
		341.9	114.0	115.1	285.75			77.67	2946 CC	
3-1/2"	RLC350	16.30	5.55	5.59	13.687	#5/16UNC-2B	3-1/2-8NPT	3.538	323.0 CU.IN	3 # 250 MAX
		414.0	141.0	142.0	347.65			89.87	5293 CC	
4"	RLC400	16.30	5.55	5.59	13.687	#5/16UNC-2B	4-8NPT	4.016	323.0 CU.IN	3 # 250 MAX
		414.0	141.0	142.0	347.65			102.01	5293 CC	



DETAILED DRAWINGS

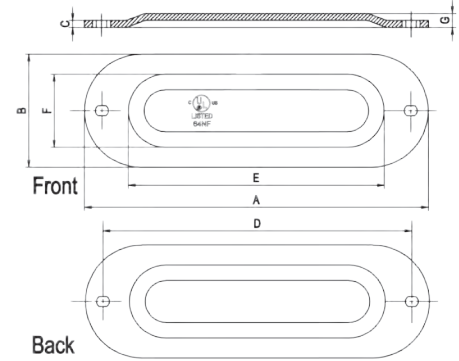
RLL

TRADE SIZE	CATALOG NUMBER	A	B	C	D	E ±0.010 [±.25]	F TAPPED HOLES	G NPT THREAD	H THROAT DIA +0/-0.020[0.51]	VOLUME	MAXIMUM WIRE FILL
1/2"	RLL050	4.31	2.03	1.36	1.34	3.500	#8-32UNC-2B	1/2-14NPT	0.612	4.3 CU.IN	
		109.5	51.6	34.5	34.0	88.90			15.54	70 CC	
3/4"	RLL075	5.08	2.30	1.63	1.56	4.125	#8-32UNC-2B	3/4-14NPT	0.814	7.3 CU.IN	3 # 6 AWG MAX
		129.0	58.4	41.3	39.6	104.78			20.68	119 CC	
1"	RLL100	5.92	2.68	1.89	1.82	4.830	#8-32UNC-2B	1-11 1/2NPT	1.039	12.0 CU.IN	3 # 4 AWG MAX
		150.4	68.1	48.0	46.2	122.68			26.39	196 CC	
1-1/4"	RLL125	7.82	3.52	2.50	2.51	6.500	#12-24UNC-2B	1-1/4-11 1/2NPT	1.370	32.3 CU.IN	3 # 2 AWG MAX
		198.6	89.4	63.5	63.8	165.10			34.80	529 CC	
1-1/2"	RLL150	7.82	3.52	2.50	2.51	6.500	#12-24UNC-2B	1-1/2-11 1/2NPT	1.600	34.2 CU.IN	3 # 2 AWG MAX
		198.6	89.4	63.5	63.8	165.10			40.64	560 CC	
2"	RLL200	10.05	4.27	3.41	3.19	8.562	#12-24UNC-2B	2-11 1/2NPT	2.057	71.4 CU.IN	3 # 2/0 MAX
		255.3	108.5	86.6	81.0	217.47			52.25	1170 CC	
2-1/2"	RLL250	12.83	5.89	3.98	4.49	11.250	#5/16UNC-2B	2-1/2-8NPT	2.459	157.4 CU.IN	3 # 4/0 MAX
		325.9	149.6	101.1	114.0	285.75			62.46	2579 CC	
3"	RLL300	12.83	5.89	4.53	4.49	11.250	#5/16UNC-2B	3-8NPT	3.058	179.8 CU.IN	3 # 250 MAX
		325.9	149.6	115.1	114.0	285.75			77.67	2946 CC	
3-1/2"	RLL350	15.65	7.66	5.59	5.55	13.687	#5/16UNC-2B	3-1/2-8NPT	3.538	323.0 CU.IN	3 # 250 MAX
		397.5	194.6	142.0	141.0	347.65			89.87	5293 CC	
4"	RLL400	15.65	7.66	5.59	5.55	13.687	#5/16UNC-2B	4-8NPT	4.016	323.0 CU.IN	3 # 250 MAX
		397.5	194.6	142.0	141.0	347.65			102.01	5293 CC	



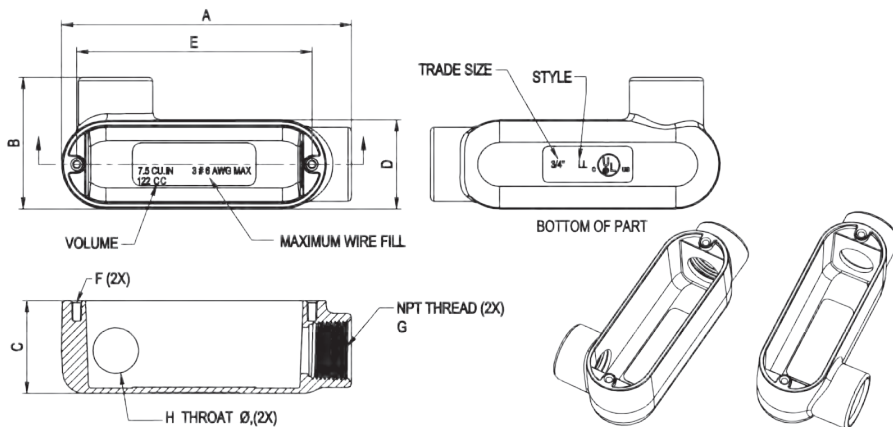
RLLB/RLLC/RLLD/RLLR/RLLT (cover plate)

TRADE SIZE	A	B	C	D ± 0.02	E	F	G
1/2"	3.900	1.340	0.070	3.500	2.890	0.827	0.181
	99.1	34.0	1.8	88.9	73.4	21.0	4.6
3/4"	4.665	1.535	0.070	4.126	3.465	0.886	0.181
	118.5	39.0	1.8	104.8	88.0	22.5	4.6
1"	5.374	1.732	0.070	4.831	4.291	1.398	0.181
	136.5	44.0	1.8	122.7	109.0	35.5	4.6
1-1/4"	7.283	2.500	0.070	6.500	5.827	1.437	0.181
	185.0	63.5	1.8	165.1	148.0	36.5	4.6
1-1/2"	7.283	2.500	0.070	6.500	5.827	1.437	0.181
	185.0	63.5	1.8	165.1	148.0	36.5	4.6
2"	9.488	3.150	0.070	8.563	7.539	1.732	0.181
	241.0	80.0	1.8	217.5	191.5	44.0	4.6
2-1/2"	12.205	4.528	0.098	11.25	10.236	2.362	0.197
	310.0	115.0	2.5	285.8	260.0	60.0	5.0
3"	12.205	4.528	0.098	11.25	10.236	2.362	0.197
	310.0	115.0	2.5	285.8	260.0	60.0	5.0
3-1/2"	14.961	5.512	0.098	13.69	12.598	2.992	0.197
	380.0	140.0	2.5	347.6	320.0	76.0	5.0
4"	14.961	5.512	0.098	13.685	12.598	2.992	0.197
	380.0	140.0	2.5	347.6	320.0	76.0	5.0



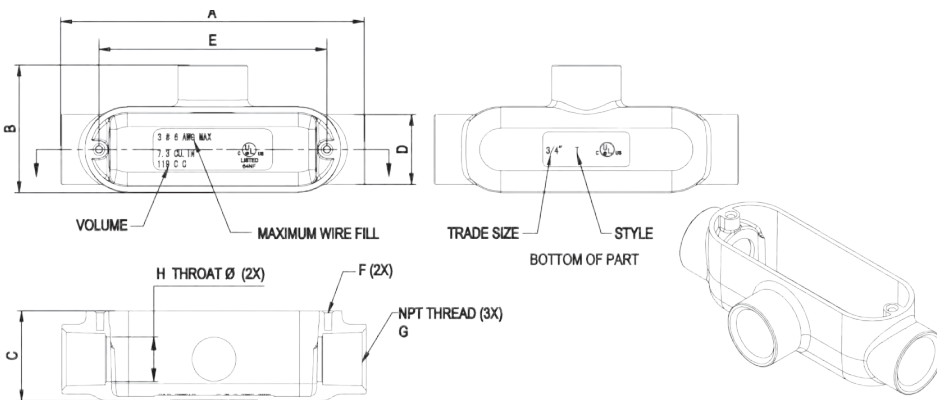
RLR

TRADE SIZE	CATALOG NUMBER	A	B	C	D	E ±0.010 [±.25]	F TAPPED HOLES	G NPT THREAD	H THROAT DIA +0/-0.020[0.51]	VOLUME	MAXIMUM WIRE FILL
1/2"	RLR050	4.31	2.03	1.36	1.34	3.500	#8-32UNC-2B	1/2-14NPT	0.612	4.3 CU.IN	
		109.5	51.6	34.5	34.0	88.90			15.54	70 CC	
3/4"	RLR075	5.08	2.30	1.63	1.56	4.125	#8-32UNC-2B	3/4-14NPT	0.814	7.3 CU.IN	3 # 6 AWG MAX
		129.0	58.4	41.3	39.6	104.78			20.68	119 CC	
1"	RLR100	5.92	2.68	1.89	1.82	4.830	#8-32UNC-2B	1-11 1/2NPT	1.039	12.0 CU.IN	3 # 4 AWG MAX
		150.4	68.1	48.0	46.2	122.68			26.39	196 CC	
1-1/4"	RLR125	7.82	3.52	2.50	2.51	6.500	#12-24UNC-2B	1-1/4-11 1/2NPT	1.370	32.3 CU.IN	3 # 2 AWG MAX
		198.6	89.4	63.5	63.8	165.10			34.80	529 CC	
1-1/2"	RLR150	7.82	3.52	2.50	2.51	6.500	#12-24UNC-2B	1-1/2-11 1/2NPT	1.600	34.2 CU.IN	3 # 2 AWG MAX
		198.6	89.4	63.5	63.8	165.10			40.64	560 CC	
2"	RLR200	10.05	4.27	3.41	3.19	8.562	#12-24UNC-2B	2-11 1/2NPT	2.057	71.4 CU.IN	3 # 2/0 MAX
		255.3	108.5	86.6	81.0	217.47			52.25	1170 CC	
2-1/2"	RLR250	12.83	5.89	3.98	4.49	11.250	#5/16UNC-2B	2-1/2-8NPT	2.459	157.4 CU.IN	3 # 4/0 MAX
		325.9	149.6	101.1	114.0	285.75			62.46	2579 CC	
3"	RLR300	12.83	5.89	4.53	4.49	11.250	#5/16UNC-2B	3-8NPT	3.058	179.8 CU.IN	3 # 250 MAX
		325.9	149.6	115.1	114.0	285.75			77.67	2946 CC	
3-1/2"	RLR350	15.65	7.66	5.59	5.55	13.687	#5/16UNC-2B	3-1/2-8NPT	3.538	323.0 CU.IN	3 # 250 MAX
		397.5	194.6	142.0	141.0	347.65			89.87	5293 CC	
4"	RLR400	15.65	7.66	5.59	5.55	13.687	#5/16UNC-2B	4-8NPT	4.016	323.0 CU.IN	3 # 250 MAX
		397.5	194.6	142.0	141.0	347.65			102.01	5293 CC	



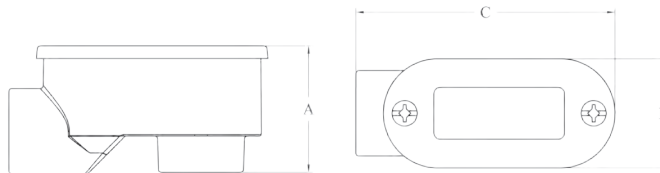
RLT

TRADE SIZE	CATALOG NUMBER	A	B	C	D	E ±0.010 [25]	F TAPPED HOLES	G NPT THREAD	H THROAT DIA +0/-0.020[0.51]	VOLUME	MAXIMUM WIRE FILL
1/2"	RLT050	4.72	2.03	1.36	1.34	3.500	#8-32UNC-2B	1/2-14NPT	0.612	4.3 CU.IN	
		119.9	51.6	34.5	34.0	88.90			15.54	70 CC	
3/4"	RLT075	5.51	2.30	1.63	1.56	4.125	#8-32UNC-2B	3/4-14NPT	0.814	7.3 CU.IN	3 # 6 AWG MAX
		140.0	58.4	41.3	39.6	104.78			20.68	119 CC	
1"	RLT100	6.46	2.68	1.89	1.82	4.830	#8-32UNC-2B	1-11 1/2NPT	1.039	12.0 CU.IN	3 # 4 AWG MAX
		164.1	68.1	48.0	46.2	122.68			26.39	196 CC	
1-1/4"	RLT125	8.35	3.52	2.50	2.51	6.500	#12-24UNC-2B	1-1/4-11 1/2NPT	1.370	32.3 CU.IN	3 # 2 AWG MAX
		212.1	89.4	63.5	63.8	165.10			34.80	529 CC	
1-1/2"	RLT150	8.35	3.52	2.50	2.51	6.500	#12-24UNC-2B	1-1/2-11 1/2NPT	1.600	34.2 CU.IN	3 # 2 AWG MAX
		212.1	89.4	63.5	63.8	165.10			40.64	560 CC	
2"	RLT200	10.55	4.27	3.41	3.19	8.562	#12-24UNC-2B	2-11 1/2NPT	2.057	71.4 CU.IN	3 # 2/0 MAX
		268.0	108.5	86.6	81.0	217.47			52.25	1170 CC	
2-1/2"	RLT250	13.46	5.89	3.98	4.49	11.250	#5/16UNC-2B	2-1/2-8NPT	2.459	157.4 CU.IN	3 # 4/0 MAX
		341.9	149.6	101.1	114.0	285.75			62.46	2579 CC	
3"	RLT300	13.46	5.89	4.53	4.49	11.250	#5/16UNC-2B	3-8NPT	3.058	179.8 CU.IN	3 # 250 MAX
		341.9	149.6	115.1	114.0	285.75			77.67	2946 CC	
3-1/2"	RLT350	16.30	7.66	5.59	5.55	13.687	#5/16UNC-2B	3-1/2-8NPT	3.538	323.0 CU.IN	3 # 250 MAX
		414.0	194.6	142.0	141.0	347.65			89.87	5293 CC	
4"	RLT400	16.30	7.66	5.59	5.55	13.687	#5/16UNC-2B	4-8NPT	4.016	323.0 CU.IN	3 # 250 MAX
		414.0	194.6	142.0	141.0	347.65			102.01	5293 CC	

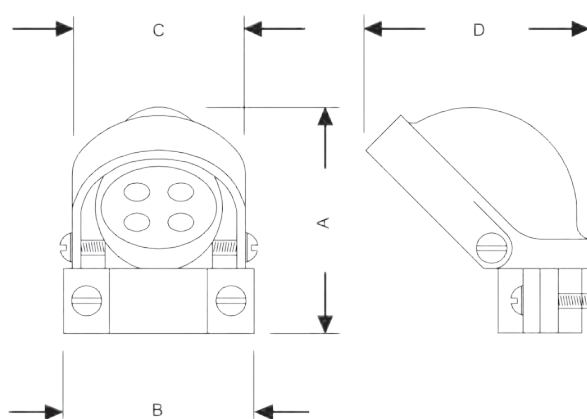


RSLB

CATALOG NUMBER	CONDUIT SIZE	A	B	C
RSLB050	1/2"	1.587	1.366	3.26
RSLB075	3/4"	1.878	1.693	3.663
RSLB100	1"	2.087	1.917	4.272
RSLB125	1-1/4"	2.579	2.39	5.506
RSLB150	1-1/2"	2.697	2.654	6.217
RSLB200	2"	3.075	3.122	6.715



NEC



Part#	Trade Size	A	B	C	D	Hole Diameter
NEC050	1"	2.205	2.217	1.929	2.835	4 Holes 0.287
NEC075	3/4"	2.323	2.500	2.165	3.189	5 Holes 0.382
NEC100	1"	2.677	2.638	2.480	3.701	3 Holes 0.492
						2 Holes 0.453
NEC125	1-1/4"	3.189	3.189	2.795	4.252	3 Holes 0.638
						2 Holes 0.453
NEC150	1-1/2"	3.701	3.524	3.346	5.354	3 Holes 0.803
						2 Holes 0.642
NEC200	2"	5.197	4.350	4.488	7.126	1 Holes 0.492
						3 Holes 1.004
NEC250	2-1/2"	6.575	6.421	6.181	10.276	2 Holes 0.768
						1 Holes 1.004
NEC300	3"	7.205	6.870	6.181	10.276	3 Holes 1.311
						3 Holes 0.768
NEC350	3-1/2"	7.205	7.323	7.913	12.44	1 Holes 1.004
						3 Holes 1.756
NEC400	4"	7.205	7.815	7.913	12.44	3 Holes 1.756
						3 Holes 1.122