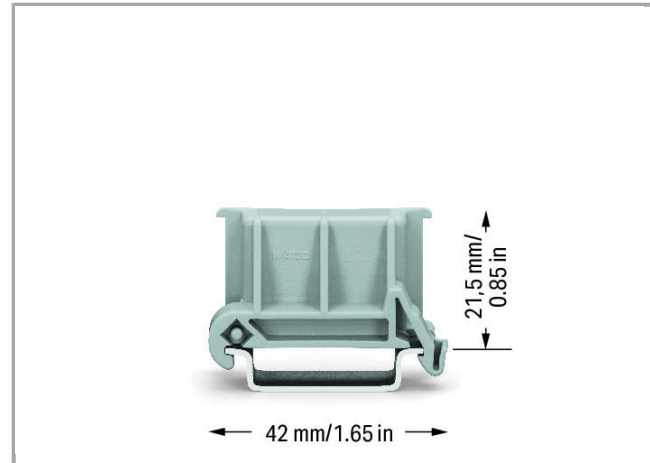


Data sheet | Item number: 222-510

Angled DIN-rail adapter; in combination with mounting carrier; 221-500 or 222-500; for DIN-35 rail mounting



www.wago.com/222-510



RoHS Compliant

Color:

Data

Geometrical Data

Width	18.5 mm / 0.728 inch
Height from upper-edge of DIN-35 rail	21.5 mm / 0.846 inch
Depth	42 mm / 1.654 inch

Material Data

Color	gray
Fire load	0.118 MJ
Weight	3.92 g

Commercial data

Product Group	7 (Push Wire Conn.)
Country of origin	DE
GTIN	4045454714802

Compatible products



Mounting adapter

Item no.: 221-500

Mounting carrier; 221 Series - 4 mm²; for DIN-35 rail mounting/screw mounting

www.wago.com/221-500

Item no.: 222-500

Mounting carrier; 222 Series; for DIN-35 rail mounting/screw mounting

www.wago.com/222-500

Downloads

CAD/CAE - Smart Data

CAD data

3D Download 222-510

URL

Download

Subject to changes.

WAGO Kontakttechnik GmbH & Co. KG

Hansastr. 27

32423 Minden

Phone: +49571 887-0 | Fax: +49571 887-169

Email: info.de@wago.com | Web: www.wago.com

Do you have any questions about our products?

We are always happy to take your call at +91-120-4388700.