



Fuse disconnect terminal block with pivoting fuse holder; for 5 x 20 mm miniature metric fuse; without blown fuse indication

Item No.: 281-611



Fuse disconnect terminal block with pivoting fuse holder; for 5 x 20 mm miniature metric fuse; without blown fuse indication

Marking

RoHS ✓
Compliant

Business data

Supplier	WAGO
Item no.	281-611
GTIN / EAN	4045454614591
Content	1
Order amount	50
Customer item number	

Notes

Technical data

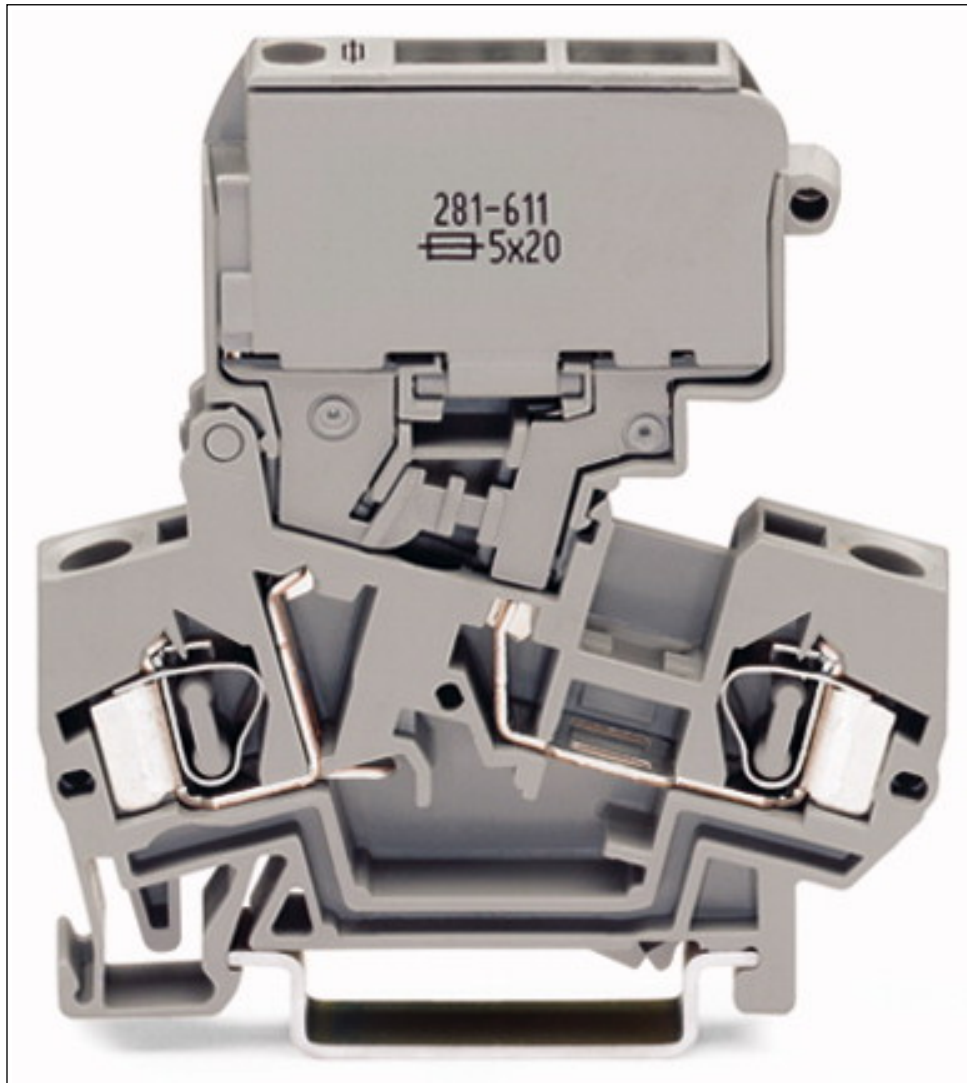
Miscellaneous

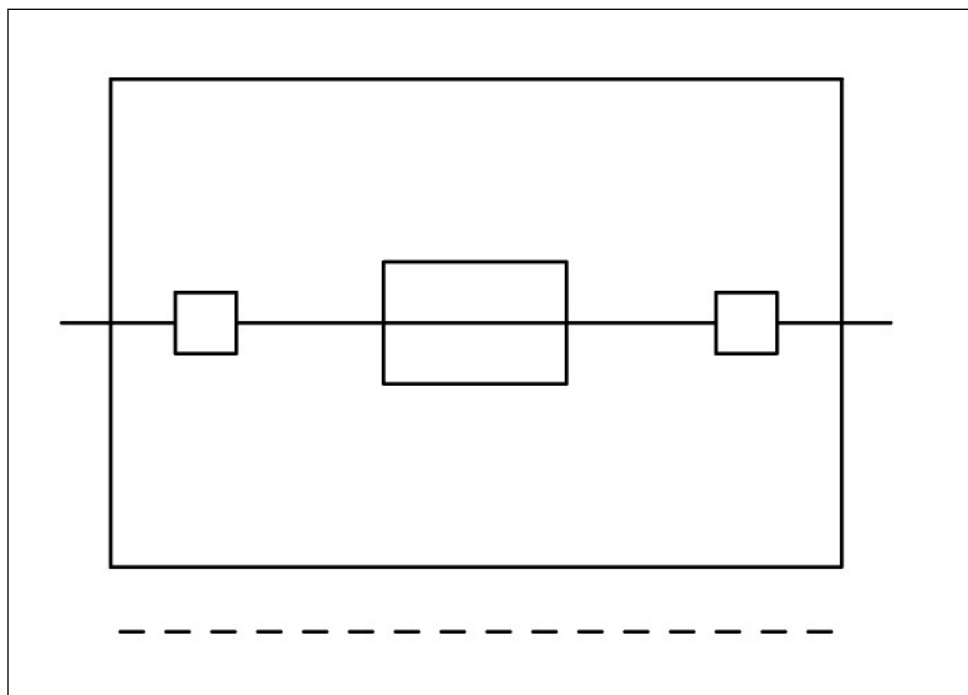
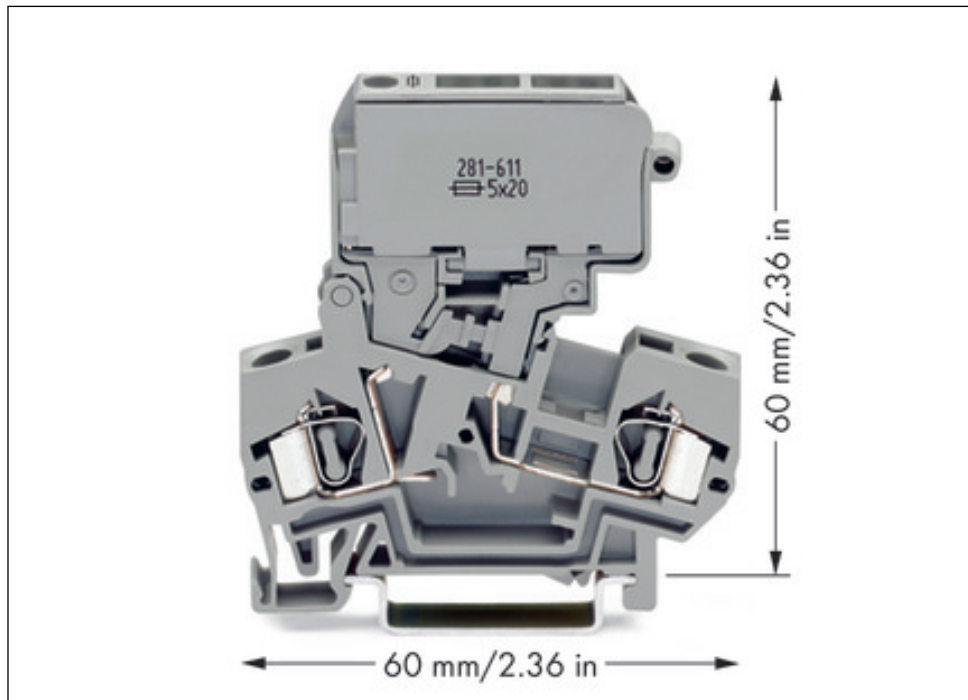
Total number of connection points	2
Total number of potentials	2
Color	gray
Rated voltage (III / 3) [V]	800 [V]
Rated impulse voltage (III / 3) [kV]	8 [kV]

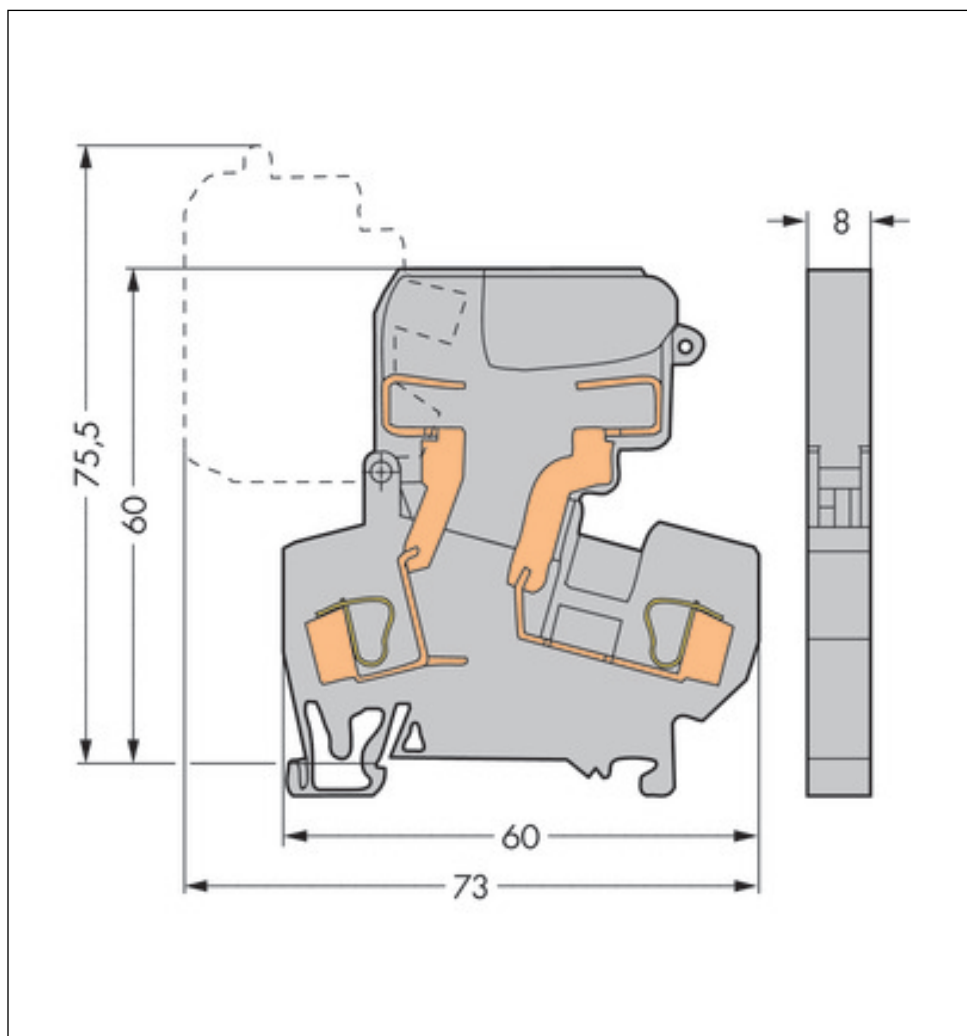
Printview: Fuse disconnect terminal block with pivoting fuse holder; for 5 x 20 mm miniature metric fuse; without blown fuse indication - Item No.: 281-611

Technical data	
<i>Pollution degree (1)</i>	3
<i>Rated current [A]</i>	10 [A]
<i>Number of levels</i>	1
<i>Connection technology</i>	CAGE CLAMP®
<i>Number of connection points connector</i>	2
<i>Actuation type</i>	<i>Operating tool</i>
<i>Connectable conductor materials</i>	Copper
<i>Solid conductor</i>	0.08 ... 4 mm ² / 28 ... 12 AWG
<i>Fine-stranded conductor</i>	0.08 ... 4 mm ² / 28 ... 12 AWG
<i>Strip length</i>	9 ... 10 mm / 0.35 ... 0.39 Inch
<i>Type of wiring</i>	Front-entry wiring
<i>Design</i>	angled
<i>Marking level</i>	Center marking
<i>Insulating material</i>	Polyamide 66 (PA 66)
<i>Fire load [MJ]</i>	0.327 [MJ]
<i>Weight [g]</i>	17.32 [g]
<i>Width</i>	8 mm / 0.315 Inch
<i>Height from upper-edge of DIN-35 rail</i>	60 mm / 2.362 Inch
<i>Depth</i>	60 mm / 2.362 Inch
<i>Type of mounting</i>	DIN-35 x 15 carrier rail
<i>Safety information 1</i>	Electrical ratings are given by the fuse.

Images & drawings







Address

WAGO Kontakttechnik GmbH & Co. KG

Hansastr. 27

32423 Minden

Telefon: 0571/887-0

Fax: 0571/887-169

<http://www.wago.com>

© WAGO Kontakttechnik GmbH & Co. KG

Technische Änderungen und Irrtümer vorbehalten.