



## 2-conductor through terminal block

Item No.: 281-901



2-conductor through terminal block

### Marking

RoHS ✓  
Compliant

### Business data

Supplier	WAGO
Item no.	281-901
GTIN / EAN	4044918485050
Content	1
Order amount	50
Customer item number	

### Notes

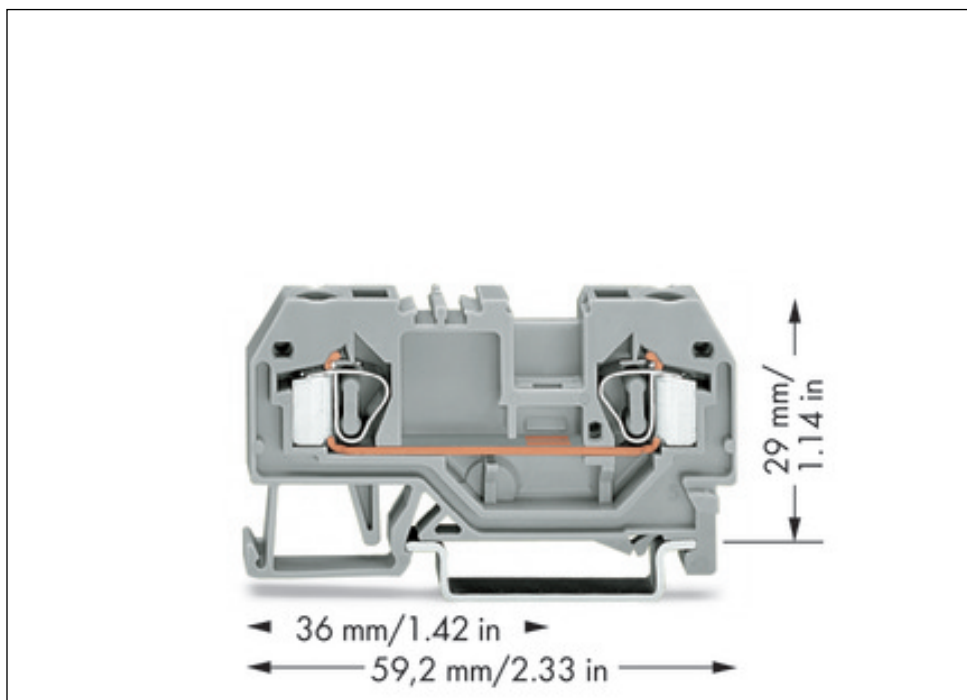
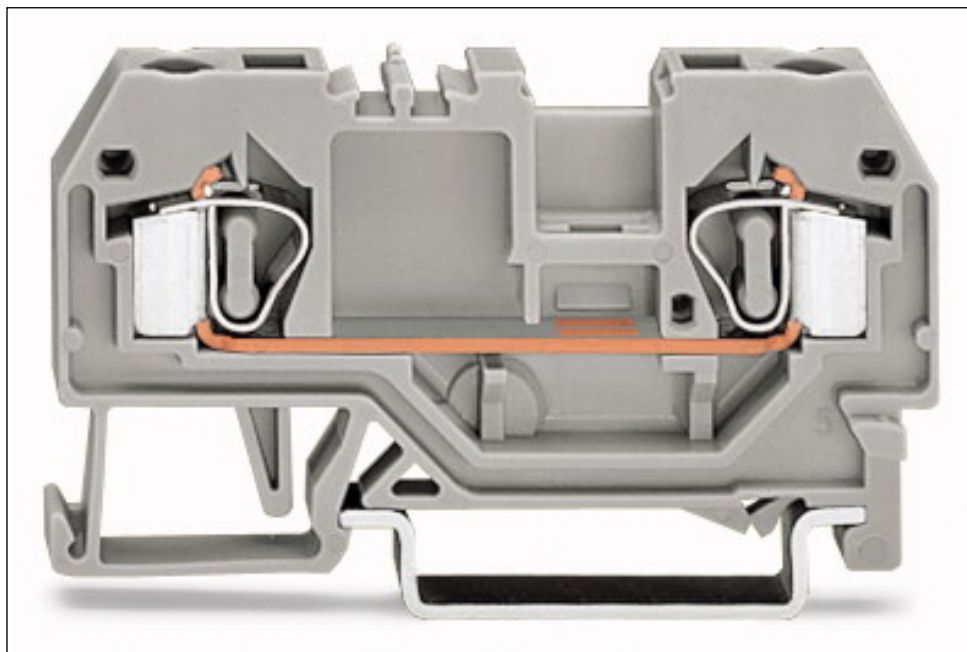
### Technical data

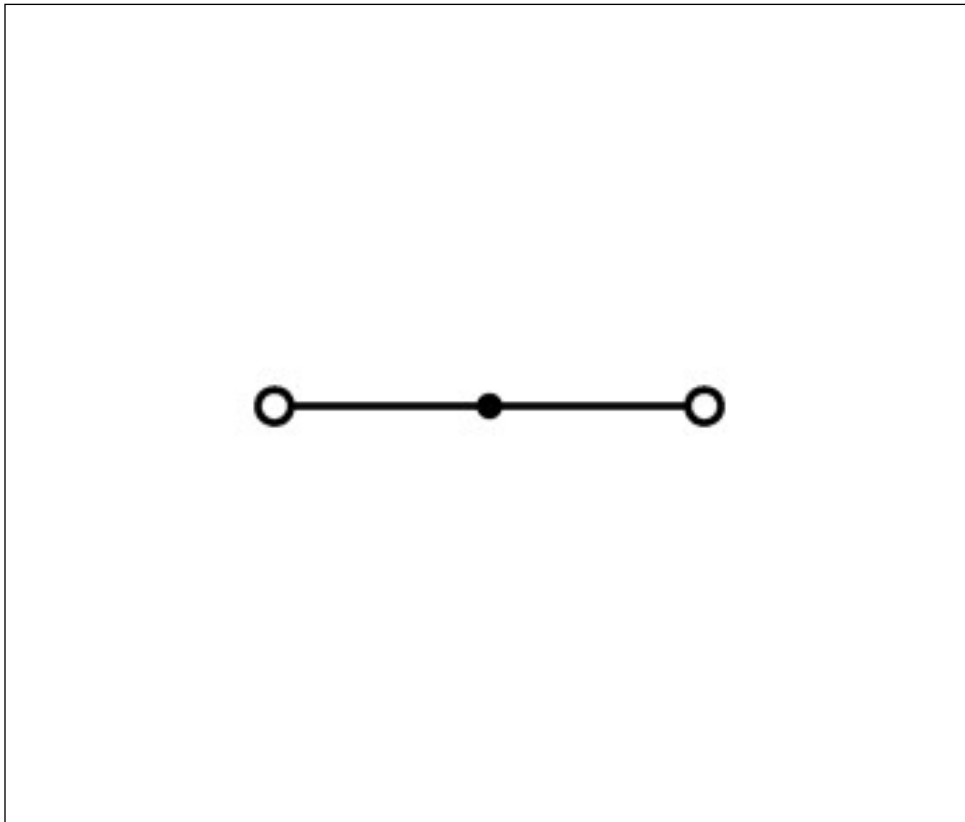
#### Miscellaneous

Total number of connection points	2
Total number of potentials	1
Color	gray
Ratings per	IEC/EN 60947-7-1
Rated voltage (III / 3) [V]	800 [V]
Rated impulse voltage (III / 3) [kV]	8 [kV]

<b>Technical data</b>	
<i>Pollution degree (1)</i>	3
<i>Rated current [A]</i>	32 [A]
<i>Number of levels</i>	1
<i>Connection technology</i>	CAGE CLAMP®
<i>Number of connection points connector</i>	2
<i>Actuation type</i>	Operating tool
<i>Connectable conductor materials</i>	Copper
<i>Solid conductor</i>	0.08 ... 4 mm <sup>2</sup> / 28 ... 12 AWG
<i>Fine-stranded conductor</i>	0.08 ... 4 mm <sup>2</sup> / 28 ... 12 AWG
<i>Strip length</i>	9 ... 10 mm / 0.35 ... 0.39 Inch
<i>Type of wiring</i>	Front-entry wiring
<i>Design</i>	horizontal
<i>Marking level</i>	Center marking
<i>Insulating material</i>	Polyamide 66 (PA 66)
<i>Fire load [MJ]</i>	0.149 [MJ]
<i>Weight [g]</i>	8.154 [g]
<i>Width</i>	6 mm / 0.236 Inch
<i>Height from upper-edge of DIN-35 rail</i>	29 mm / 1.142 Inch
<i>Depth</i>	59 mm / 2.323 Inch
<i>Type of mounting</i>	DIN-35 x 15 carrier rail

Images & drawings





#### Address

WAGO Kontakttechnik GmbH & Co. KG

Hansastr. 27

32423 Minden

Telefon: 0571/887-0

Fax: 0571/887-169

<http://www.wago.com>

© WAGO Kontakttechnik GmbH & Co. KG

Technische Änderungen und Irrtümer vorbehalten.