



No: 24163 – 01/18 rev. 2

# Wattstopper®

Dual Technology • Low Voltage Occupancy Sensor (version 3) with Light Level, Isolated Relay and Manual On Features

Double technologie • Détecteur de présence basse tension (v3) avec les fonctionnalités de niveau de luminosité, de relais isolé et de marche manuelle

Doble Tecnología • Sensor de ocupación de Bajo voltaje (v3) con nivel de luz, relé aislado y funciones de encendido manual

Installation Instructions • Instructions d'Installation • Instrucciones de Instalación

## Catalog Number • Numéro de Catalogue • Número de Catálogo: DT-200

Country of Origin: Made in China • Pays d'origine: Fabriqué en Chine • País de origen: Hecho en China  
DT-200-U is BAA and TAA compliant (Product produced in the U.S.)



## SPECIFICATIONS

Voltage .....	18–28VDC/VAC half rectified
Current Consumption @24VDC/VAC.....	33mA (VDC), 93mA (VAC)
Power Supply .....	Wattstopper Power Packs
Isolated Relay Rating .....	1A @30VDC/VAC
Operating Temperature .....	32° to 131°F (0° to 55°C)
Light Level One-Step Adjustment.....	10FC to 200FC)
Time Delay Adjustment .....	30 seconds to 30 minutes
Walk-Through Mode.....	3 minutes if no activity after 30 sec.
Test Mode.....	5 sec. or DIP switch reset
PIR Coverage (Typical) .....	1000 ft <sup>2</sup>
Sensitivity Adjustment .....	High or Low (DIP switch setting)
Ultrasonic Coverage (Typical) .....	800–1200 ft <sup>2</sup>
Sensitivity Adjustment .....	Minimum to Maximum (trimpot)
Frequency .....	40kHz

## DESCRIPTION AND OPERATION

The Wattstopper DT-200 Dual Technology occupancy sensors combine advanced passive infrared (PIR) and ultrasonic technologies into one unit. The combination of these technologies helps to eliminate false triggering problems even in difficult applications.

The DT-200 turns lighting systems **ON** and **OFF** based on occupancy and ambient light levels.

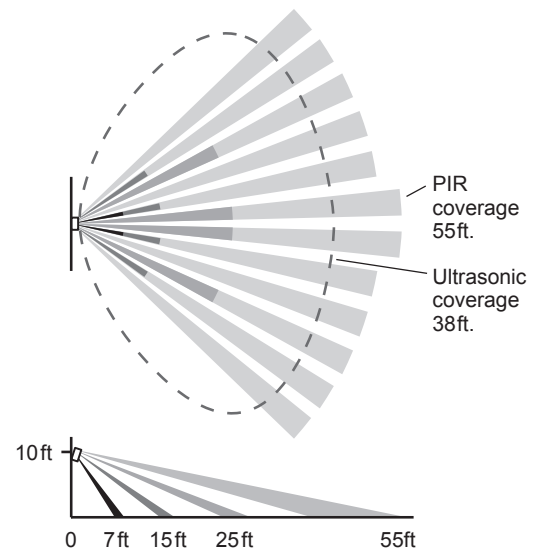
The DT-200 offers numerous operating modes that can be combined to create the ideal custom control. The sensors can be configured to turn lighting **ON**, and hold it **ON** as long as either or both technologies detect occupancy. After no movement is detected for the duration of the time delay (30 seconds to 30 minutes) the lights are switched **OFF**. A “walk-through” mode can turn lights **OFF** after only 3 minutes, if no activity is detected after 30 seconds of an occupancy detection.

The DT-200 operates on 24VDC supplied by Wattstopper Power Packs. DT-200 sensors also have an isolated relay with Normally Open and Normally Closed contacts for interfacing with HVAC or EMS.

## COVERAGE PATTERN

The DT-200 provides an elliptical coverage pattern. The coverage shown represents walking motion at a mounting height of 10 feet. For building spaces with lower levels of activity, or with obstacles and barriers, coverage size may decrease.

**Dense Wide Angle Lens**  
up to 2000 sq ft for walking motion  
up to 1000 sq ft for desktop motion

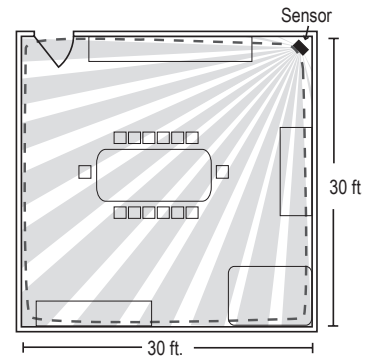


## PLACEMENT GUIDELINES

Depending upon obstacles such as furniture or partitions, the area of coverage may be less or more than the sensing distances shown in the coverage pattern. This must be considered when planning the number of sensors and their placement. It is also recommended to place the sensor 4 to 6 feet away from air supply ducts.

The DT-200 is designed for a ceiling height of about 8-10 feet. Mounting above or below this range will significantly affect the coverage patterns. As a general rule, each occupant should be able to clearly view the sensor.

**Masking the PIR Lens:** Opaque adhesive tape is supplied so that sections of the PIR lens can be masked. This restricts the sensor's view and allows you to eliminate PIR coverage in unwanted areas such as hallways outside of the desired coverage area. Since masking removes bands of coverage, remember to take this into account when troubleshooting coverage problems. The Ultrasonic coverage cannot be masked, but you can adjust its sensitivity to reduce the coverage area.



One sensor, conference room

## WIRING DIRECTIONS

Each Wattstopper BZ series power pack can supply power for 3 DT-200 sensors. When using more sensors than this, multiple power packs are required.

Refer to the wiring diagrams for the following procedures:

Connect the **LOW VOLTAGE:**

- RED wire (+24VDC) from power pack to the **red** wire on the sensor
- BLACK wire (Return) from power pack to the **black** wire on the sensor

Wiring a **single lighting load controlled by occupancy**—connect:

- BLUE wire from power pack to the **blue** wire on the sensor

To add a **Momentary manual switch** such as the LVSW Momentary Toggle Switch, to the above applications—connect:

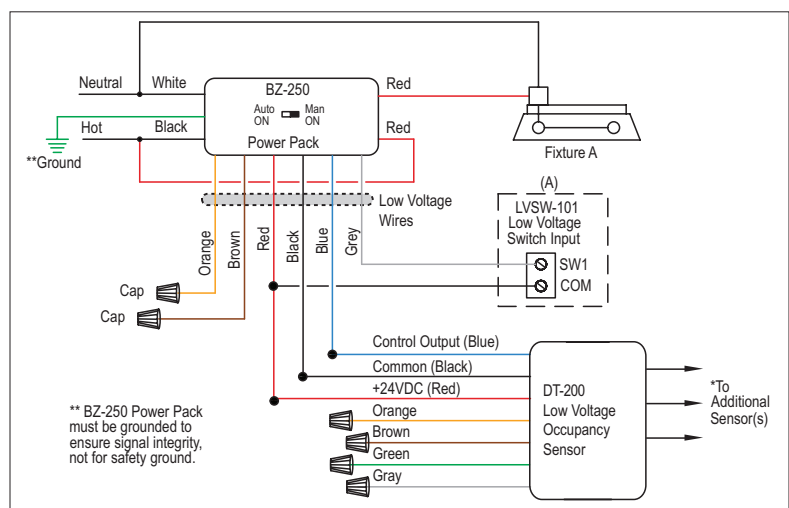
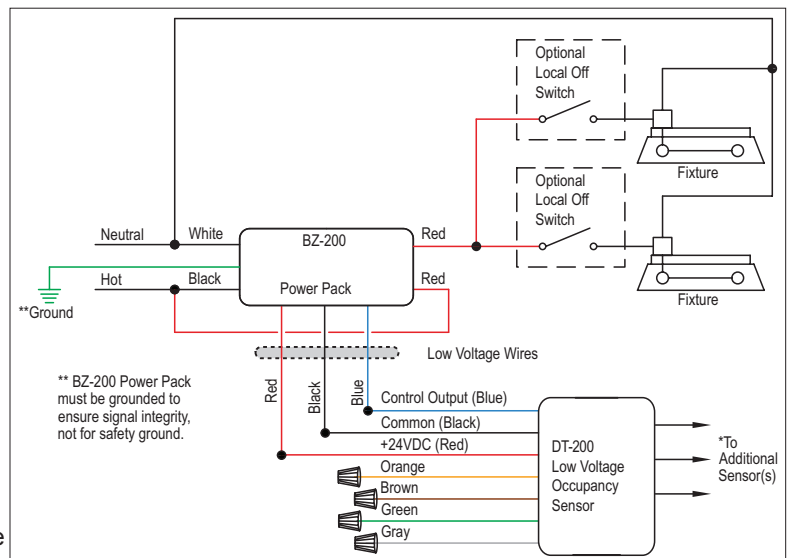
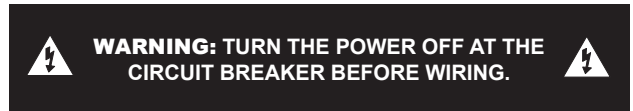
- Wire from one side of switch to the **grey** wire on sensor
- Wire from other side of switch to the **red** wire on sensor

Wiring the **Isolated Relay** (The Isolated Relay is rated for 1A@30VAC/VDC):

Connect the wires necessary to the application that requires this output.

- Relay Common (must be used for proper operation) is the **green** wire
- N.O. (Normally Open)—Closed when occupancy is detected, is the **orange** wire
- N.C. (Normally Closed)—Open when occupancy is detected, is the **brown** wire

Sensor Function	DT-200 ver.3	DT-200 ver.2	BZ-50 PP
+24VDC in	Red	Violet	Red
Common to Power Pack	Black	Grey	Black
Control Output	Blue	Yellow	Blue
Isolated Relay Common	Green	Red	
Isolated Relay N.O.	Orange	Orange	
Isolated Relay N.C.	Brown	Brown	
Momentary Switch	Grey	Green	
Light Level Control Output	N/A	Blue	



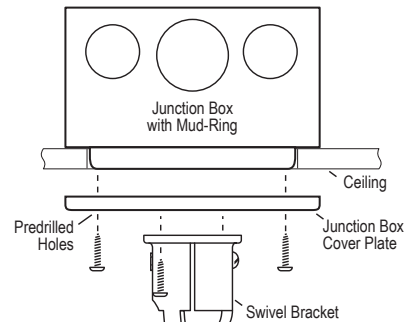
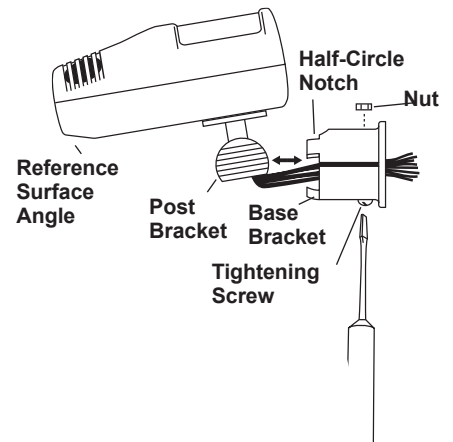
## MOUNTING THE SENSOR

The DT-200 sensors can be mounted to walls or ceilings with the supplied swivel bracket, and the supplied junction box cover plate if necessary (see figure B). Mounting at fixture height is most effective.

**Ceiling:** It is best to leave approximately six inches between the sensor and the wall so that the Tightening Screw can be easily accessed. Orient the Base Bracket's Half-Circle Notch in the direction that the sensor will point.

**Wall:** Orient the Base Bracket's Half-Circle Notch, up.

1. Mount the Base Bracket to the mounting surface with screws.
2. At the center of the Base Bracket, drill a hole in the ceiling or wall (unless mounting to a junction box) large enough to thread the sensor's wires through.
3. Guide the sensor's wires into the Base Bracket and through the hole in the ceiling or wall.
4. Connect the sensor to the Base Bracket by angling the Post Bracket so that it is in line with the half circle notch, as illustrated in figure A. Push the ball into the Base Bracket opening until it snaps into place, being careful not to pinch the wires. The brackets can be easily connected or disconnected using this orientation.
5. Insert the Tightening Screw and Nut into the Base Bracket as illustrated.
6. Use the Reference Surface Angle to adjust the sensor for optimum coverage. When mounted at ten feet, the Reference Surface Angle should be parallel to the wall or the vertical (see figure C). (As the mounting height decreases, the sensor will be tilted up slightly; as the mounting height increases, the sensor will be tilted down slightly).
7. Tighten the Tightening Screw.

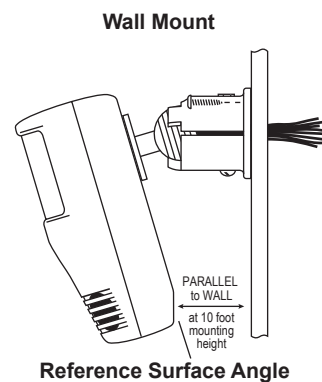
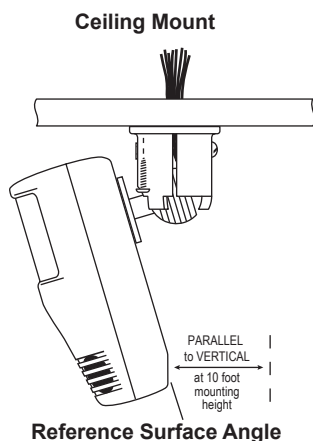


**Junction Box Cover Plate Installation**  
Wattstopper recommends using a 3.0" mudring with a 4" octagonal box.

### Sensor Angle Adjustment

While watching the LEDs for flashes (Red LED indicates activation from the PIR sensor; Green LED indicates activation from the ultrasonic sensor), have a person walk back and forth at the far end of the space. Increase or decrease mounting angle as needed until the desired coverage is achieved.

Tighten the Tightening Screw to hold this position.



### Service

To override all sensor functions, set the Ultrasonic Sensitivity trimpot to the fully counterclockwise (Service) position. This bypasses the occupancy control functions of the sensor, but still allows the lights to be manually controlled with a light switch, if one is installed.

## LIGHT LEVEL FEATURE

The Light Level feature holds lights **OFF** upon initial occupancy if adequate ambient light exists. It will not turn the lights **OFF** if they are ON. The default setting is for maximum, meaning that even the brightest ambient light will not hold the lights **OFF**.

### Notes on Functionality

- Avoid mounting the sensor close to lighting fixtures.
- Adjust during daylight hours when ambient light in the area is at desired level.
- Light Level cannot be enabled while Test Mode is active. Either wait for Test Mode to expire, or select any of the other Time Delay settings before enabling the Light Level feature.
- PIR occupancy indicator LED may still respond when lights are being held **OFF**. LED will also flash periodically to indicate the sensor has Light Level enabled.
- Light Level settings are only saved in the event of a power loss. Disabling Light Level and then re-enabling it will not return it to previous settings.
- If Test Mode is enabled after Light Level has been set, Light Level functionality will cease to function throughout the duration of Test Mode. When Test Mode period expires, the Light Level functionality will resume, even if the DIP Switches remain set to Test Mode.

### Setting Light Level

1. Make sure Test Mode is not active.
2. Open the Front Cover and locate the Light Level pushbutton. See **Sensor Adjustment**.
3. Press the Light Level button. Do not exceed 5 seconds.\* The sensor enters setup mode, as indicated by the rapidly flashing LEDs. The LEDs will flash throughout the setup process. Occupancy indications from the LEDs is disabled during setup.
4. Move away from the sensor to avoid interference with light level detection. The sensor measures the light level for a 10 second period, then averages the readings and automatically sets the level that will be used as the new setting. The sensor will hold lights **OFF** when the ambient light exceeds this setting.
5. When the LEDs stop flashing, replace the Front Cover.

### \*Disabling Light Level

Pressing the pushbutton for 5 seconds or more resets the light to default (maximum).

Press and hold the Light Level button for 5 seconds or until the detection LEDs turn **ON** and then **OFF**. The LEDs flash rapidly for 10 seconds after the setting has changed.

## SENSOR ADJUSTMENT

The sensors are factory preset to allow for quick installation in most applications. Verification of proper wiring or coverage, or customizing the sensor's settings can be done using the following procedures. To make adjustments, open the Front Cover with a small screwdriver.

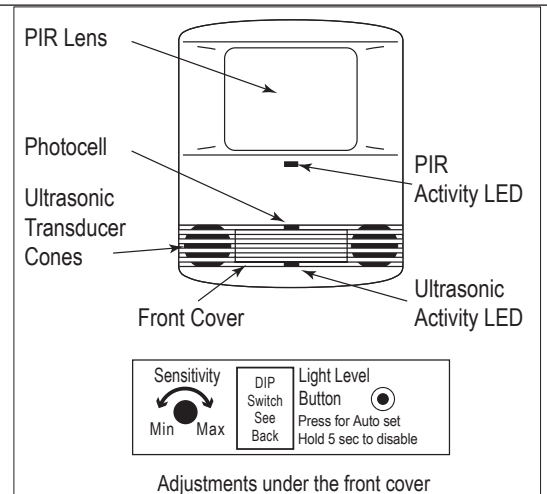
**There is a 30 second warm-up period when power is first applied.**

Before making adjustments, make sure the office furniture is installed, lighting circuits are turned on, and the HVAC systems are in the overridden/on position. VAV systems should be set to their highest airflow. Set the Logic Configuration and Time Delay to the desired settings. See **Logic Configuration Chart**.

### To Test Occupancy Sensors

1. Ensure the Time Delay is set for **Test Mode\*** using the "Test Mode/20 minutes" setting. (DIP Switches 1, 2, & 3 are **OFF**).
2. Ensure that the Light Level is at default (maximum). Press and hold the pushbutton for 5 seconds, or until the Green LED flashes rapidly. Wait 10 seconds for the flashing to stop.
3. Ensure that the Ultrasonic Sensitivity trimpot is set to about 70%, clockwise.
4. Remain still. The red and green LEDs should not flash. The lights should turn **OFF** after 5 seconds. (If not, see **Troubleshooting**.)
5. Move around within the coverage area. The lights should come on. Adjust the Ultrasonic Sensitivity as necessary to provide the desired coverage (Green LED indicates activation from the ultrasonic sensor).
6. When testing and adjustment is complete, reset DIP Switches and Light Level to the desired settings, and replace the cover on the sensor.
7. When the LEDs stop flashing, replace the Front Cover.

**\*Test Mode** is a temporary state that starts when you first set the sensor's DIP switches for the "Test Mode/20 minutes" (switches 1, 2, 3 **OFF**). If you need to invoke the **Test Mode** and the DIP Switches are already set for Test Mode/20 minutes, toggle DIP Switch 1 **ON**, then back to the **OFF** position. This provides a 10 minute test period. During the test period, the Time Delay is only 5 seconds.



## MANUAL ON FUNCTION

The **Manual ON** function is facilitated by installing a momentary switch such as Wattsoppe LVSW Momentary Toggle Switch. The switch connects to the sensor's Manual (Man.) Switch and +24VDC terminals as shown in the wiring diagram. Each time the switch is pressed, the load changes state. The sensor's operation as related to the manually operated switch is determined by DIP switch settings for Occupancy Logic.

**Manual Mode** (Trigger Option 6 or 7): In this mode, the switch **is required** to turn **ON** the load. The sensor keeps the load **ON**, based on occupant activity. After the time delay ends, if there is no movement detected within the 30 second re-trigger period, the load turns **OFF** and the manual switch must be used to turn **ON** the load.

**Automatic Mode** (any Trigger Option except 6 or 7): These options use occupancy triggers as well as switch activation to turn the load **ON**. A manual switch provides the following additional functionality:

- The load can be turned **ON** using the manual switch and it stays on according to the occupancy logic setting. The time delay operates as programmed. When the load turns **OFF** due to lack of occupancy detection, it can be turned **ON** again by occupancy detection or the switch.
- Activating the manual switch while the load is **ON** turns the load **OFF**.
  - ▶ When the load is turned **OFF** manually, as long as the sensor continues to detect occupancy the load stays **OFF**. The length of the time delay after the last occupancy detection, the lights stay off and the sensor reverts to the automatic-on mode.
  - ▶ When the load is turned **OFF** manually, pressing the switch again turns the load **ON** and the sensor reverts to the automatic-on mode.
  - ▶ Once returning to automatic-on mode, either the switch or occupancy detection can turn the load **ON**.

## DIP SWITCH SETTING

### Time Delay: Switches 1, 2, 3

The sensor will hold the lights **ON** as long as occupancy is detected. The time delay countdown starts when no motion is detected. After no motion is detected for the length of the time delay, the sensor will turn the lights **OFF**.

### Walk-through: Switch 4

Walk-through mode turns the lights **OFF** three minutes after the area is initially occupied, if no motion is detected after the first 30 seconds. If motion continues beyond the first 30 seconds, the selected time delay applies.

### PIR Sensitivity: Switch 5

- Minimum forces a reduced detection range for the PIR.
- Maximum causes the DT-200 to monitor the controlled environment and automatically select the maximum sensitivity that will provide reliable operation without false detection. This setting is constantly updated.

### Occupancy Logic: Switches: 6, 7, 8

The DT-200 has 8 logic configurations for occupancy triggers, set with DIP Switches 6, 7 & 8. Determine the appropriate Occupancy Logic Option using the Trigger matrix, then set the DIP switches accordingly.

**Initial Occupancy:** The method that activates a change from "Standby" (area unoccupied and loads are **OFF**) to "Occupied" (area occupied and loads are **ON**).

- Both requires detection by PIR and Ultrasonic.
- Either requires detection by only one technology.
- PIR requires detection by the PIR.
- Man. requires activation of the Manual Switch. (See **Manual ON** functions for further information.)

**Maintain Occupancy:** The method indicating that the area is still occupied and the lights should remain **ON**.

**Re-trigger:** After the time delay elapses and the lights turn **OFF**, detection by the selected technology within the number of seconds indicated turns the lights back **ON**.

Feature	Switch#		
Time Delay	1	2	3
Test Mode/20 min	↓	↓	↓
30 seconds	↓	↓	↑
5 minutes	↓	↑	↓
10 minutes	↓	↑	↑
15 minutes	↑	↓	↓
20 minutes	↑	↓	↑
25 minutes	↑	↓	↓
30 minutes	↑	↑	↑

Walk-Through	4
Enabled	↑
Disabled	↓
PIR Sensitivity	5
Minimum	↑
Maximum	↓

Occupancy Logic	Settings				
	6	7	8		
	Standard	↓	↓	↓	◀
	Option 1	↑	↓	↓	
	Option 2	↓	↑	↓	
	Option 3	↑	↑	↓	
	Option 4	↓	↓	↑	
	Option 5	↑	↓	↑	
Option 6	↓	↑	↑		
Option 7	↑	↑	↑		

Occupancy Logic	Trigger	Initial Occupancy	Maintain Occupancy	Re-trigger (seconds duration)
Standard	Both	Either	Either	Either(5)
Option 1	Either	Either	Either	Either(5)
Option 2	PIR	Either	Either	Either(5)
Option 3	Both	PIR	Both	Both(5)
Option 4	PIR	PIR	PIR	PIR(5)
Option 5	Either	PIR	Either	Either(5)
Option 6	Man.	Either	Either	Either(30)
Option 7	Man.	PIR	Both	Both(30)

- ◀ = Factory Setting  
 ↑ = ON  
 ↓ = OFF

## OVERLOAD PROTECTION

The occupancy sensor has a built in overload protection function that will automatically turn **OFF** the control output when the load current exceeds 200mA. The sensor LEDs will then blink rapidly (~ 10Hz) to provide a visual indication of an overload condition. When the load current is corrected or returns to normal, the control output will turn back **ON**.

---

## TROUBLESHOOTING

---

### For any unexpected operation:

1. Check DIP Switch settings.
2. Make sure the switches are set according to the defined settings in the DIP Switch Setting chart.

### Lights do not turn on when entering the room.

#### Neither LED Flashes

1. Check that the circuit breaker has been turned back on.
2. Check all sensor and power pack wire connections.
3. Check for 24VDC input to the sensor between the red and black low voltage wires.
  - If 24VDC is present, replace the sensor.
  - If 24VDC is not present, check the high voltage connections to the power pack.
  - If high voltage connections are good and high voltage is present, replace the power pack.

#### Red LED does not flash

1. When power is initially applied to the sensor, there is a warm-up period of 30 to 60 seconds before the LED becomes active.
2. Make sure PIR sensitivity is set to 100% (DIP switch #5 is in the "off" position).

#### Green LED does not flash

Ultrasonic sensitivity setting may need to be increased. Turn adjustment trimpot clockwise until the LED begins to flash when movement occurs.

#### Green LED is on steady

Check ultrasonic sensitivity trimpot. Fully counterclockwise position is the override for the sensor. Turn trimpot clockwise until LED flashes only when movement occurs in the desired coverage area.

#### Red and Green LEDs flash

1. Check all sensor and power pack connections.
2. Check if Light Level is enabled.
  - If occupancy indicator LEDs blink together every few seconds, sensor is using Light Level feature.
  - If Light Level functionality is not desired, press and hold for 5 seconds to return sensor to the default setting (maximum).
3. Check for 24VDC at the power pack blue and black wire connections to sensor while sensor is active.
  - If there is no voltage, replace the sensor.
  - If there is voltage, check for 24VDC between the blue and black wire at the power pack. If 24VDC is present and the relay is not closing, replace it.
  - If 24VDC is not present, check for a break in the low voltage wiring.
4. If LEDs are flashing rapidly (~10Hz), an overload condition exists. When this is corrected, the sensor will return to normal operation. Check the blue wire connection. If necessary, replace the power pack.

### Lights do not turn off automatically.

#### Green LED flashes

Reduce ultrasonic sensitivity by turning adjustment pot counter-clockwise until it only flashes when movement occurs.

#### Red LED flashes briefly and Green LED does not flash

Check to see if you have used the Manual Switch connection. Do not connect anything to this terminal if you are not using a low voltage momentary switch between the sensor and power pack.

#### Red LED randomly flashes

Set PIR sensitivity to minimum by turning DIP Switch 5 to the **ON** position.

#### Lights do not turn off

1. Check all sensor and power pack wire connections.
2. Disconnect power pack blue wire.
  - If lights do not turn **OFF**, check power pack wiring. Replace the power pack if necessary.
  - If lights turn off, the problem may be the sensor or wiring between the sensor and power pack.
3. Reconnect the blue wire.
  - Turn sensitivity and time delay to minimum, and allow the sensor to time out.
  - If lights turn off, the sensor is working properly – adjust sensitivity and time delay for the sensor.
  - If lights do not turn off, check the wiring between the sensor and power pack.
  - If wiring is correct, replace the sensor. Green LED is on steady

Check ultrasonic sensitivity trimpot. Fully counterclockwise position is the override for the sensor. Turn trimpot clockwise until LED flashes only when movement occurs in the desired coverage area.

---

## ORDERING INFORMATION

---

Catalog Number	Description
DT-200	Dual Technology Occupancy Sensor, Low Voltage w/Isolated Relay
DT-205	Dual Technology Occupancy Sensor, Low Voltage
BZ-50	Power Pack: 120/277VAC, 50/60Hz, 20A ballast or incandescent
BZ-150	Power Pack: 120/277VAC, 50/60Hz, 20A ballast or incandescent, with Hold-On and Hold-Off capability
BZ-200	Power Pack: 120/277VAC, 50/60 Hz, 20A Ballast/ELV/MLV/Incandescent/LED, 16A, E-Ballast/CFL/Plug Load
BZ-250	Power Pack: 120/277VAC, 50/60 Hz, 20A, Ballast/ELV/MLV/Incandescent/LED, 16A E-Ballast/CFL/Plug Load, with Hold-On/Hold-Off capability
BZ-250-347	Power Pack: 120/347VAC, 50/60 Hz, 16A Ballast/ELV/MLV/Incandescent/LED/ E-Ballast/CFL, 15A Plug Load, with Hold-On/Hold-Off capability

# INSTRUCTIONS EN FRANÇAIS

## DESCRIPTION DE L'APPAREIL

Les détecteurs de présence à double technologie DT-200 de Wattstopper allient les technologies avancées de l'infrarouge passif (IRP) à celles des ultrasons dans un seul dispositif. L'association de ces technologies permet de contribuer à éliminer les problèmes de faux déclenchements même dans les applications difficiles.

Le DT-200 allume et éteint les systèmes d'éclairage en fonction des niveaux de présence et d'éclairage ambiants.

Le DT-200 propose différents modes de fonctionnement qui peuvent être associés pour obtenir le réglage idéal. Les détecteurs peuvent être configurés pour allumer l'éclairage et le maintenir ainsi tant que l'une des deux ou les deux technologies détectent une présence. Si aucun mouvement n'est détecté pendant le délai de temporisation (30 secondes à 30 minutes), les lumières sont éteintes. Le mode « passage » permet d'éteindre les lumières au bout de 3 minutes seulement si aucun mouvement n'est détecté 30 secondes après la détection d'une présence.

Le DT-200 fonctionne avec les blocs d'alimentation de 24 VCC de Wattstopper. Les détecteurs DT-200 disposent également d'un relais isolé avec des contacts normalement ouverts et normalement fermés pour l'interaction avec les systèmes CVCA ou SGE.

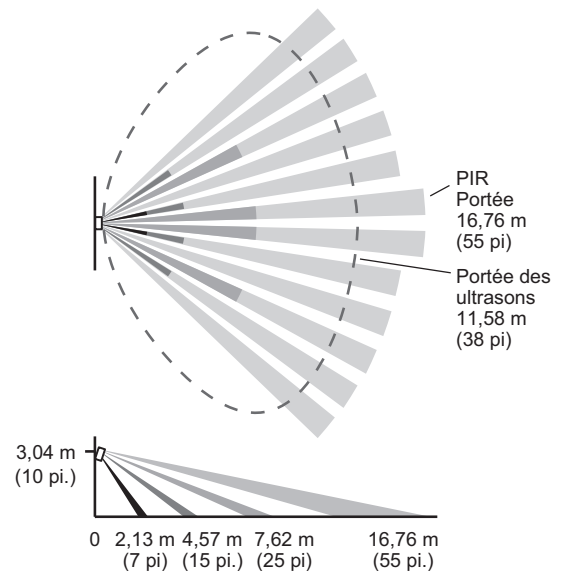
## SPÉCIFICATIONS

Tension	.... 18–28 VCC/VCA courant alternatif redressé mono alternance
Consommation de courant @24VCC/VCA	..... 33mA (CC), 93mA (CA)
Alimentation électrique	..... Blocs d'alimentation Wattstopper
Valeurs nominales du relais isolé	..... 1A @30VCC/VCA
Température de fonctionnement	..... 0 à 55 °C (32 à 131 °F)
Réglage du niveau de luminosité en une étape	..... 10 à 200 FC
Réglage de la temporisation	..... 30 secondes à 30 minutes
Mode passage	..... 3 minutes si aucune activité après 30 sec.
Mode test	..... 5 sec après activation de l'interrupteur DIP
Portée IRP (normale)	..... 92,90 m <sup>2</sup> (1 000 pi <sup>2</sup> )
Réglage de la sensibilité	..... Élevée ou faible (réglage de l'interrupteur DIP)
Portée ultrasonique (normale)	..... 74–111 m <sup>2</sup> (800–1 200 pi <sup>2</sup> )
Réglage de la sensibilité	..... Minimum à maximum (potentiomètre)
Fréquence	..... 40 kHz

## PORTÉE

Le DT-200 a une portée elliptique. La portée indiquée dans le schéma représente un mouvement de marche à une hauteur de 3 mètres (10 pieds). Pour les bâtiments avec une activité plus faible ou avec des obstacles et barrières, la zone de portée risque de diminuer.

**Lentille grand angle dense**  
jusqu'à 185,81 m<sup>2</sup> (2 000 pi<sup>2</sup>) dans les zones de circulation  
jusqu'à 92,90 m<sup>2</sup> (1 000 pi<sup>2</sup>) dans les zones de bureau



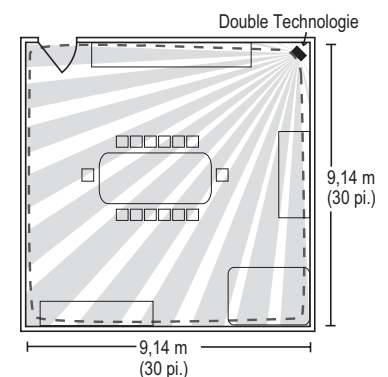
## INSTRUCTIONS DE PLACEMENT

En fonction des obstacles tels que des meubles ou des cloisons, la portée de l'appareil peut être réduite ou augmentée par rapport aux distances de perception illustrées dans le schéma de la portée. Cela doit être pris en compte dans le choix du nombre de détecteurs et de leur placement. Il est également conseillé de placer le détecteur à une distance de 1,2 à 1,8 mètres (4 à 6 pieds) des conduits d'aération.

Le DT-200 est conçu pour une hauteur de plafond allant de 2,4 à 3,05 m (8 à 10 pieds).

Le placer à une hauteur supérieure ou inférieure à celle recommandée affectera de manière significative la portée de l'appareil. En règle générale, chaque occupant doit être capable de voir clairement le détecteur.

**Obstruction de la lentille IRP :** du ruban adhésif opaque est fourni de manière à pouvoir masquer des parties de la lentille IRP. Cela limite le champ de vision du détecteur et permet d'empêcher la portée de l'IRP dans les zones non désirées, telles que des couloirs hors de la zone de portée souhaitée. Étant donné que cette obstruction diminue la portée, n'oubliez pas d'en tenir compte en cas de dépannage des problèmes de portée. La portée des ultrasons ne peut pas être bloquée, mais vous pouvez régler la sensibilité pour réduire la zone de portée.



**Un seul détecteur, dans une salle de conférence**



## INSTRUCTIONS DE CÂBLAGE

Chaque bloc d'alimentation de la série BZ de Wattstopper peut fournir du courant à 3 détecteurs DT-200. Lorsque vous utilisez plus de 14 détecteurs, plusieurs blocs d'alimentation seront nécessaires.

Veillez vous référer au schéma de câblage de la page suivante pour les procédures suivantes:

Pour la **BASSE TENSION**, raccordez:

- le fil ROUGE (+ 24 VCC) du bloc d'alimentation au fil rouge du détecteur
- le fil NOIR (retour) du bloc d'alimentation au fil noir du détecteur

Pour le câblage d'une **seule charge d'éclairage régulée par la présence**, raccordez:

- le fil BLEU du bloc d'alimentation au fil bleu du détecteur

Pour ajouter un **interrupteur manuel instantané** (tel que l'interrupteur à bascule instantané LVSW) au câblage ci-dessus, raccordez :

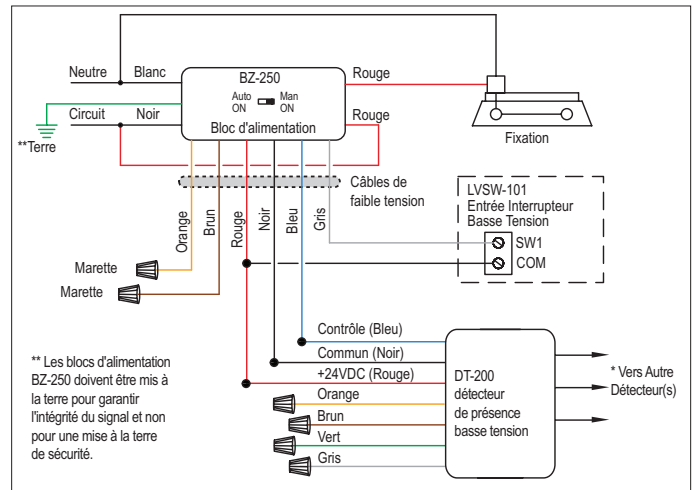
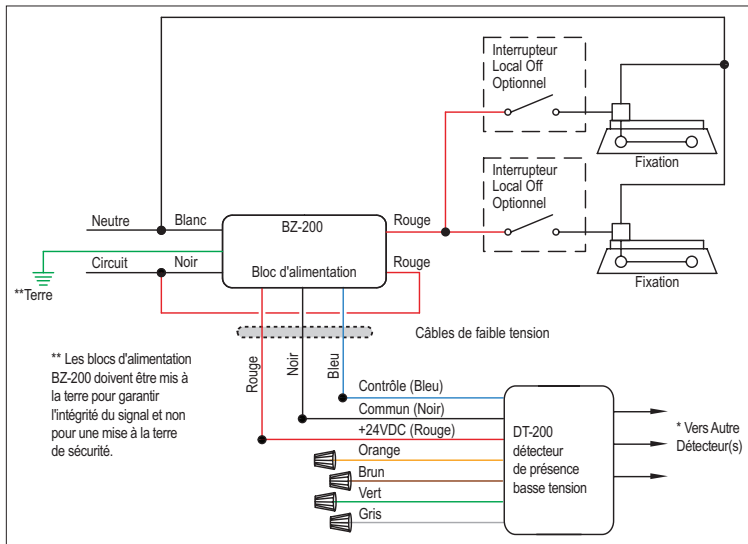
- le fil d'un côté de l'interrupteur au fil **gris** du détecteur
- le fil de l'autre côté de l'interrupteur au fil **rouge** du détecteur.

Pour le câblage du **relais isolé** (le relais isolé est prévu pour un courant de 1 A à 30 VCA/VCC):

Raccordez les fils nécessaires à l'application qui nécessite cette sortie.

- le relais commun (indispensable pour le bon fonctionnement) est le fil **vert**
- le contact normalement ouvert (fermé lorsqu'une présence est détectée) est le fil **orange**
- le contact normalement fermé (ouvert lorsqu'une présence est détectée) est le fil **marron**.

Fonction du détecteur	DT-200 ver.3	DT-200 ver.2	BZ-50 PP
+24 V c.c. ent.	Rouge	Violet	Rouge
Relais commun au bloc d'alimentation	Noir	Gris	Noir
Sortie de contrôle	Bleu	Jaune	Bleu
Relais isolé commun	Vert	Rouge	
Relais isolé normalement ouvert	Orange	Orange	
Relais isolé normalement fermé	Marron	Marron	
Interrupteur instantané	Gris	Vert	
Sortie de régulation du niveau de luminosité	S.O.	Bleu	



**Câblage de la marche manuelle avec un interrupteur instantané basse tension**

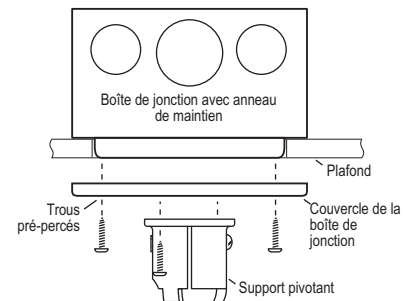
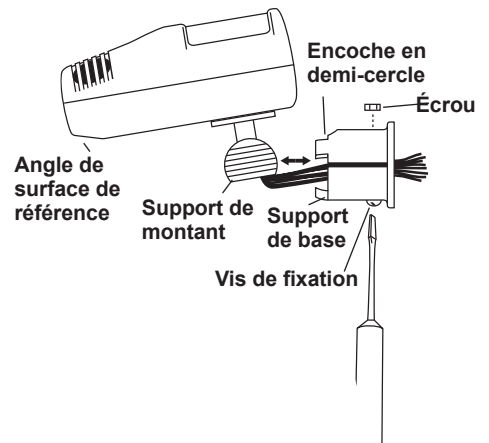
## MONTAGE DU DÉTECTEUR

Les détecteurs DT-200 peuvent être montés sur des murs ou plafonds avec le support pivotant et le couvercle de la boîte de jonction fournis, si nécessaire (voir figure B). Il est plus efficace de monter le détecteur à la hauteur du luminaire.

**Plafond** : il est préférable de conserver une distance de 15,2 cm (6 po) environ entre le détecteur et le mur afin que les vis de fixation soient facilement accessibles. Orientez l'encoche en demi-cercle du support de base dans la direction que doit viser le détecteur.

**Mur** : orientez l'encoche en demi-cercle du support de base vers le haut.

1. Fixez le support de base sur la surface de montage avec des vis.
2. Au centre du support de base, percez un trou dans le mur ou le plafond (sauf si vous montez le détecteur sur une boîte de jonction) suffisamment large pour faire passer les fils du détecteur.
3. Faites passer les fils du détecteur dans le support de base et à travers le trou dans le mur ou le plafond.
4. Raccordez le détecteur au support de base en penchant le support de montant de sorte qu'il soit aligné avec l'encoche en demi-cercle, comme illustré dans la figure A. Poussez la boule dans l'ouverture du support de base jusqu'à ce qu'elle se mette à place en s'enclenchant, veillez à ne pas pincer les fils. Les supports peuvent être facilement raccordés ou séparés dans cette orientation.
5. Insérez l'écrou et la vis de fixation dans le support de base comme montré.
6. Utilisez l'angle de surface de référence pour ajuster le détecteur et obtenir une portée optimale. Pour un montage à 3 mètres (10 pieds), l'angle de surface de référence doit être parallèle au mur ou à la verticale (voir figure C). (Lorsque la hauteur de montage diminue, le détecteur sera légèrement redressé ; lorsque la hauteur de montage augmente, le détecteur sera légèrement abaissé).
7. Serrez la vis de fixation.

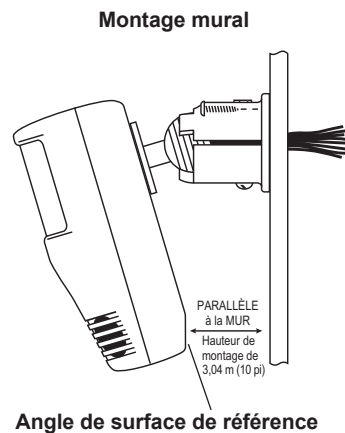
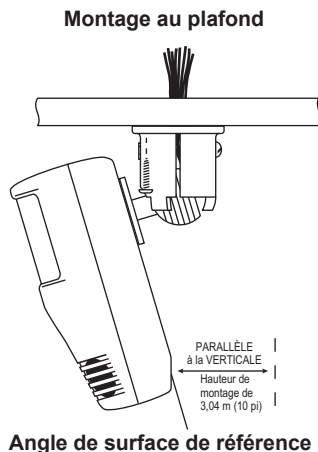


**Installation du couvercle de la boîte de jonction**  
Wattstopper recommande d'utiliser un anneau de maintien de 7,6 cm (3 po) sur un boîtier octogonal de 10,16 cm (4 po).

### Ajustement de l'angle du détecteur

Tandis que vous regardez si la DEL clignote (la DEL rouge indique l'activation du détecteur IRP ; la DEL verte indique l'activation du détecteur d'ultrasons), demandez à une personne de marcher dans la zone de portée. Augmentez ou diminuez l'angle de montage si nécessaire jusqu'à l'obtention de la portée souhaitée.

Serrez la vis de fixation pour maintenir cette position.



### Entretien

Pour neutraliser toutes les fonctions du détecteur, tournez le potentiomètre d'ajustement de la sensibilité ultrasonique complètement dans le sens antihoraire (Fonctionnement). Cette action permet d'outrepasser les fonctions de contrôle de la présence par le détecteur, tout en laissant la possibilité de régler manuellement les lumières à l'aide d'un interrupteur d'éclairage, si un tel dispositif a été installé.

## FONCTION DU NIVEAU DE LUMINOSITÉ

La fonction de niveau de luminosité laisse les lumières éteintes si un éclairage ambiant suffisant existe au moment de la présence initiale. Elle n'éteindra pas les lumières si elles sont allumées. Le réglage par défaut est au maximum, ce qui signifie que même en cas d'environnement extrêmement lumineux, les lumières s'allumeront.

### Remarques sur le fonctionnement

- Évitez d'installer le détecteur près des luminaires.
- Effectuez le réglage pendant la journée, lorsque la luminosité ambiante est au niveau souhaité dans la zone.
- Le niveau de luminosité ne peut pas être activé lorsque le Mode test est en marche. Avant d'activer la fonction de niveau de luminosité, attendez la fin du Mode test ou sélectionnez un autre réglage de temporisation.
- La DEL du détecteur de présence à IRP peut toujours réagir lorsque les lumières restent éteintes. Les DEL clignotent également périodiquement pour indiquer que la fonction de niveau de luminosité du détecteur est activée.
- Les réglages du niveau de luminosité sont uniquement sauvegardés en cas de coupure de l'alimentation. Le fait de désactiver puis réactiver la fonction de niveau de luminosité ne permettra pas de retrouver les réglages précédents.
- Si le Mode test est activé après l'activation de la fonction de niveau de luminosité, celle-ci cessera de fonctionner pendant toute la durée du Mode test. Lorsque le Mode test arrive à sa fin, la fonction de niveau de luminosité se réactive, même si les interrupteurs DIP restent en Mode test.

### Réglage du niveau de luminosité

1. Assurez-vous que le Mode test est désactivé.
2. Ouvrez le couvercle frontal et localisez le bouton-poussoir du niveau de luminosité. Voir Réglage du détecteur.
3. Appuyez sur le bouton du niveau de luminosité, Ne pas dépasser 5 secondes.\* Le détecteur passe en mode de réglage, indiqué par le clignotement rapide des DEL. Les DEL clignotent pendant toute la procédure de réglage. Les notifications de présence des DEL sont désactivées pendant le réglage.
4. Éloignez-vous du détecteur pour éviter toute interférence pendant la détection du niveau de luminosité. Le détecteur mesure le niveau de luminosité pendant 10 secondes, puis fait la moyenne des relevés et règle automatiquement le niveau à utiliser comme nouveau réglage. Le détecteur laisse les lumières éteintes lorsque la luminosité ambiante est supérieure à ce réglage.
5. Lorsque les DEL ne clignotent plus, remplacez le couvercle frontal.

### \*Désactivation du niveau de luminosité

Appuyez sur le bouton-poussoir pendant 5 secondes ou plus pour remettre la fonction de niveau de luminosité au réglage par défaut (maximum).

Appuyez sur le bouton de réglage du niveau de luminosité et maintenez-le enfoncé pendant 5 secondes, ou jusqu'à ce que les DEL de détection s'allument puis s'éteignent. Une fois les réglages modifiés, les DEL clignotent rapidement pendant 10 secondes.

## RÉGLAGE DU DÉTECTEUR

Les détecteurs sont pré-réglés en usine afin de vous permettre de l'installer rapidement dans la plupart des applications. Pour vérifier que le câblage ou la portée sont corrects, ou pour personnaliser les réglages du détecteur, suivez les procédures suivantes. Pour effectuer des réglages, ouvrez le couvercle frontal à l'aide d'un petit tournevis.

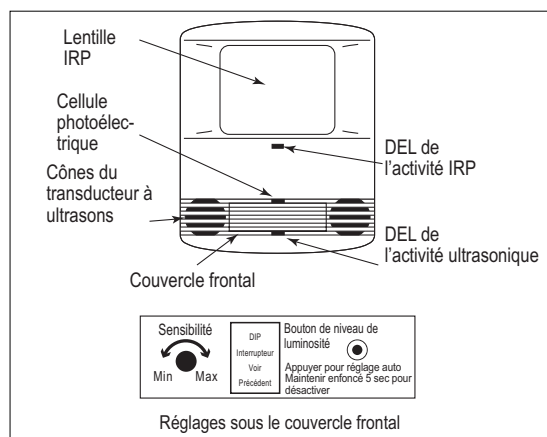
**Lorsque l'unité est mise sous tension pour la première fois, elle passe tout d'abord par une période de réchauffement de 30 secondes.**

Avant d'effectuer des réglages, assurez-vous que les meubles de la zone de travail sont installés, que les circuits d'éclairage sont allumés et que les systèmes CVCA sont en position neutralisé/marche. Les systèmes DAV doivent être réglés sur le débit d'air le plus important. Paramétrez la configuration logique et la temporisation en adoptant les réglages souhaités. Voir « Tableau des configurations logiques », page suivante.

### Pour tester les détecteurs de présence

1. Assurez-vous que la temporisation est réglée sur le **Mode test\*** en utilisant le réglage « Mode test/20 minutes » (Interrupteurs DIP 1, 2 et 3 sur ARRÊT).
2. Assurez-vous que le niveau de luminosité est sur son réglage par défaut (maximum). Appuyez sur le bouton poussoir et maintenez-le enfoncé pendant 5 secondes ou jusqu'à ce que la DEL verte clignote rapidement. Attendez 10 secondes jusqu'à la fin du clignotement.
3. Assurez-vous que le potentiomètre d'ajustement de la sensibilité aux ultrasons est placé à environ 70 % dans le sens horaire.
4. Restez immobile. Les DEL rouge et verte ne doivent pas clignoter. Les lumières doivent normalement s'éteindre au bout de 5 secondes. (Dans le cas contraire, voir « Dépannage ».)
5. Déplacez-vous dans la zone de portée. Les lumières doivent s'allumer. Réglez la sensibilité ultrasonique comme nécessaire pour obtenir la portée désirée (la DEL verte indique l'activation du détecteur d'ultrasons).

Lorsque le test et le réglage sont terminés, paramétrez de nouveau les interrupteurs DIP et le niveau d'éclairage avec les réglages souhaités et remettez le couvercle sur le détecteur.



\*Le **Mode test** est un état temporaire qui démarre lorsque vous réglez les interrupteurs DIP du détecteur sur « Mode test/20 minutes » pour la première fois (interrupteurs 1, 2 et 3 sur **ARRÊT**). Si vous avez besoin de lancer le **Mode test** et que les interrupteurs DIP sont déjà réglés sur « Mode test/20 minutes », faites basculer l'interrupteur DIP 1 sur **MARCHE**, puis de nouveau sur **ARRÊT**. Cette action fournit une période de test de 10 minutes. Pendant cette période de test, la temporisation n'est que de 5 secondes.

### Réglage du niveau de luminosité

1. Assurez-vous que le Mode test est désactivé.
2. Ouvrez le couvercle frontal et localisez le bouton-poussoir du niveau de luminosité. Voir Réglage du détecteur.
3. Appuyez sur le bouton du niveau de luminosité, Ne pas dépasser 5 secondes.\* Le détecteur passe en mode de réglage, indiqué par le clignotement rapide des DEL. Les DEL clignotent pendant toute la procédure de réglage. Les notifications de présence des DEL sont désactivées pendant le réglage.
4. Éloignez-vous du détecteur pour éviter toute interférence pendant la détection du niveau de luminosité. Le détecteur mesure le niveau de luminosité pendant 10 secondes, puis fait la moyenne des relevés et règle automatiquement le niveau à utiliser comme nouveau réglage. Le détecteur laisse les lumières éteintes lorsque la luminosité ambiante est supérieure à ce réglage.
5. Lorsque les DEL ne clignotent plus, remplacez le couvercle frontal.

les systèmes CVCA sont en position neutralisé/marche. Les systèmes DAV doivent être réglés sur le débit d'air le plus important. Paramétrez la configuration logique et la temporisation en adoptant les réglages souhaités. Voir « Tableau des configurations logiques », page suivante.

---

## FONCTION DE MARCHE MANUELLE

---

La fonction de **MARCHE** manuelle est facilitée par l'installation d'un interrupteur instantané tel que l'interrupteur à bascule instantané LVS-1 de Wattstopper. L'interrupteur se connecte à l'interrupteur manuel (Man.) du détecteur et aux bornes + 24 VCC, comme indiqué dans le schéma de câblage. Chaque fois que vous appuyez sur l'interrupteur, la charge change d'état. Le fonctionnement du détecteur par rapport à l'interrupteur manuellement actionné est déterminé par les réglages des interrupteurs DIP concernant la logique de présence.

Mode manuel (option de déclenchement 6 ou 7) : dans ce mode, l'interrupteur est nécessaire pour activer la charge. Le détecteur maintient la charge activée, en fonction de l'activité des occupants. Une fois la temporisation écoulée, si aucun mouvement n'est détecté pendant la période de re-déclenchement de 30 secondes, la charge se **COUPE** et l'interrupteur manuel doit être utilisé pour remettre la charge en **MARCHE**.

Mode automatique (toutes les options de déclenchement sauf 6 ou 7) : ces options se servent des déclenchements dus à la présence ainsi que de l'activation de l'interrupteur pour **ACTIVER** la charge. Un interrupteur manuel fournit les fonctionnalités supplémentaires suivantes :

- La charge peut être **ACTIVÉE** à l'aide de l'interrupteur manuel et elle reste ainsi en fonction du réglage de la logique de présence. La temporisation s'applique comme programmé. Lorsque la charge se **COUPE** en raison d'une absence de détection de présence, elle peut être **ACTIVÉE** de nouveau par une détection de présence ou par l'activation de l'interrupteur.
- L'activation de l'interrupteur manuel tandis que la charge est **ACTIVÉE** a pour effet de **COUPER** la charge.
  - Lorsque la charge est **COUPÉE** manuellement, elle reste **COUPÉE** aussi longtemps que le détecteur continue de détecter une présence. Pendant la durée de la temporisation après la dernière détection de présence, les lumières restent éteintes et le détecteur revient en mode marche automatique.
  - Lorsque la charge est **COUPÉE** manuellement, une nouvelle pression sur l'interrupteur **ACTIVE** la charge et le détecteur revient en mode marche automatique.
  - Une fois qu'il est revenu en mode marche automatique, la charge peut être **ACTIVÉE** par l'interrupteur ou par une détection de présence.

---

## PROTECTION CONTRE LA SURCHARGE

---

Le détecteur de présence a une fonction de protection contre la surcharge et coupe automatiquement la sortie régulation lorsque la charge dépasse 200 mA. Les DEL du détecteur clignotent alors rapidement (~ 10 Hz) pour donner une indication visuelle de la situation de surcharge. Lorsque le courant de charge est corrigé ou revient à la normale, la sortie de régulation reprend son fonctionnement.

## RÉGLAGE DE L'INTERRUPTEUR DIP

### Temporisation : Interrupteurs 1, 2, 3

Le détecteur maintient les lumières **ALLUMÉES** tant qu'une présence est détectée. Le compte à rebours de temporisation démarre lorsqu'aucun mouvement n'est détecté. En l'absence de mouvement pendant toute la durée de la temporisation, le détecteur **ÉTEINT** les lumières.

### Mode passage : Interrupteur 4

Le mode passage **COUPE** l'éclairage trois minutes après la première détection de présence, si aucun mouvement n'est détecté après les 30 premières secondes. Si le mouvement persiste au-delà des 30 premières secondes, la temporisation sélectionnée se déclenche.

### Sensibilité PIR Interrupteur 5

- Minimum impose une réduction de la portée de détection de l'IRP.
- Maximum oblige le DT-200 à surveiller l'environnement contrôlé et à choisir automatiquement la sensibilité maximum qui garantit un fonctionnement fiable sans fausse détection. Ce réglage est constamment mis à jour.

### Logique de présence : Interrupteurs : 6, 7, 8

Le DT-200 dispose de 8 configurations logiques de déclencheurs de présence, correspondant aux interrupteurs DIP 6, 7 et 8. Déterminez l'option de logique de présence adaptée en vous servant du tableau des types de déclenchement, puis réglez les interrupteurs DIP en conséquence.

Présence initiale : permet de passer du mode « Veille » (zone non occupée et charges **COUPÉES**) à « Occupé » (zone occupée et charges **ACTIVÉES**).

- Les deux impliquent que la détection s'effectue via IRP et ultrasons.
- L'un ou l'autre implique que la détection s'effectue via l'une des deux technologies.
- IRP indique que la détection s'effectue uniquement par IRP.
- Man. nécessite une activation de l'interrupteur manuel. (Voir « Fonctions de **MARCHE** manuelle » pour plus d'informations.)

Maintien de la présence: méthode qui indique que la zone est toujours occupée et que les lumières doivent rester **ALLUMÉES**.

Re-déclenchement: après l'expiration de la temporisation et l'**EXTINCTION** des lumières, la détection par la technologie choisie avant la fin du délai indiqué en secondes **RALLUME** les lumières.

Paramètre	N° d'interrupteur		
Temporisation	1	2	3
Mode test/20 min	↓	↓	↓
30 secondes	↓	↓	↑
5 minutes	↓	↑	↓
10 minutes	↓	↑	↑
15 minutes	↑	↓	↓
20 minutes	↑	↓	↑
25 minutes	↑	↑	↓
30 minutes	↑	↑	↑

Mode passage	4
Activé	↑
Désactivé	↓
Sensibilité IRP	5
Minimum	↑
Maximum	↓

Logique de présence	Réglages			
	Standard	↓	↓	↓
	Option 1	↑	↓	↓
	Option 2	↓	↑	↓
	Option 3	↑	↑	↓
	Option 4	↓	↓	↑
	Option 5	↑	↑	↑
	Option 6	↑	↑	↑
Option 7	↑	↑	↑	

Logique de présence	Mode	Présence		
		Logique de	Logique de	Re-déclen- chement (durée en secondes)
Standard		Les deux	L'un ou l'autre	L'un ou l'autre (5)
Option 1		L'un ou l'autre	L'un ou l'autre	L'un ou l'autre (5)
Option 2	IRP	Les deux	L'un ou l'autre	L'un ou l'autre (5)
Option 3		IRP	IRP	L'un ou l'autre (5)
Option 4	IRP	IRP	IRP	IRP (5)
Option 5	L'un ou l'autre	IRP	IRP	L'un ou l'autre (5)
Option 6	Man.	L'un ou l'autre	L'un ou l'autre	L'un ou l'autre (30)
Option 7	Man.	IRP	Les deux	Les deux (30)

◀ Réglage d'usine  
 ↑ = MARCHE  
 ↓ = ARRÊT

## DÉPANNAGE

### En cas de fonctionnement inattendu

1. Vérifiez les réglages de l'interrupteur DIP.
2. Assurez-vous que les interrupteurs sont réglés d'après les réglages définis dans le tableau des réglages des interrupteurs DIP.

### Les lumières ne s'allument lorsque quelqu'un entre dans la pièce.

#### Aucune des deux DEL ne clignote

1. Vérifiez que le disjoncteur de circuit a bien été réenclenché.
2. Vérifiez tous les raccordements des fils du détecteur et du bloc d'alimentation.
3. Contrôlez l'entrée de 24 VCC dans le détecteur entre les fils rouge et noir basse tension.
  - Si du 24 V c.c. est bien présent, remplacez le détecteur.
  - Si vous ne trouvez pas 24 V c.c., vérifiez les raccordements haute tension du bloc d'alimentation.
  - Si les raccordements haute tension sont corrects et que vous trouvez bien de la haute tension, remplacez le bloc d'alimentation.

#### La DEL rouge ne clignote pas

1. Lorsque le détecteur est mis sous tension pour la première fois, il passe tout d'abord par une période de réchauffement de 30 à 60 secondes avant que la DEL ne s'active.
2. Vérifiez que la sensibilité de l'IRP est réglée sur 100 % (interrupteur DIP 5 en position « arrêt »).

#### La DEL verte ne clignote pas

Il peut être nécessaire d'augmenter le réglage de la sensibilité ultrasonique. Tournez le potentiomètre d'ajustement dans le sens horaire jusqu'à ce que la DEL commence à clignoter en cas de mouvements.

### La DEL verte est constamment allumée

Vérifiez le potentiomètre d'ajustement de la sensibilité ultrasonique. Lorsqu'il est entièrement tourné dans le sens antihoraire, le détecteur est neutralisé. Tournez le potentiomètre d'ajustement dans le sens horaire jusqu'à ce que la DEL ne clignote qu'en cas de mouvements dans la zone de portée souhaitée.

### Les DEL rouge et verte clignent

1. Vérifiez tous les raccordements du détecteur et du bloc d'alimentation.
2. Vérifiez que la fonction niveau de luminosité est bien activée.
  - Si les DEL de présence clignent en même temps à intervalles de quelques secondes, le détecteur utilise la fonction de niveau de luminosité.
  - Si la fonction de niveau de luminosité ne doit pas être utilisée, appuyez sur le bouton et maintenez-le enfoncé 5 secondes pour remettre le détecteur au réglage par défaut (maximum).
3. Contrôlez la présence de 24 VCC au niveau des raccordements des fils bleu et noir du bloc d'alimentation sur le détecteur pendant que le détecteur est activé.
  - En l'absence de tension, remplacez le détecteur.
  - S'il y a de la tension, contrôlez la présence de 24 VCC entre les fils bleu et noir au niveau du bloc d'alimentation. Si vous trouvez du 24 VCC et que le relais ne se ferme pas, remplacez le bloc d'alimentation.
  - Si vous ne trouvez pas de 24 V c.c., recherchez une rupture dans le câblage basse tension.
4. Si les DEL clignent rapidement (~ 10 Hz), une situation de surcharge est présente. Une fois ce problème corrigé, le détecteur reprend son fonctionnement normal. Vérifiez le branchement du fil bleu. Si besoin, remplacez le bloc d'alimentation.

### Les lumières ne s'éteignent pas automatiquement.

#### La DEL verte clignote

Réduisez la sensibilité ultrasonique en tournant le potentiomètre d'ajustement dans le sens antihoraire jusqu'à ce qu'elle ne clignote qu'en cas de mouvements.

#### La DEL rouge clignote brièvement et la DEL verte ne clignote pas

Regardez si le raccordement de l'interrupteur manuel a été utilisé. Ne raccordez rien à cette borne si vous n'utilisez pas d'interrupteur instantané basse tension entre le détecteur et le bloc d'alimentation.

#### La DEL rouge clignote de manière aléatoire

Réglez la sensibilité de l'IRP au minimum en plaçant l'interrupteur DIP 5 sur la position « marche ».

### Les lumières ne s'éteignent pas

1. Vérifiez tous les raccordements des fils du détecteur et du bloc d'alimentation.
2. Débranchez le fil bleu du bloc d'alimentation.
  - Si les lumières ne s'éteignent pas, vérifiez le câblage du bloc d'alimentation. Remplacez bloc d'alimentation si nécessaire.
  - Si les lumières s'éteignent, le problème peut se trouver au niveau du détecteur ou du câblage entre le détecteur et le bloc d'alimentation.
3. Rebranchez le fil bleu.
  - Mettez la sensibilité et la temporisation sur le réglage minimum et laissez le détecteur atteindre la fin de la temporisation.
  - Si les lumières s'éteignent, le détecteur fonctionne correctement – réglez la sensibilité et la temporisation du détecteur.
  - Si les lumières ne s'éteignent pas, vérifiez le câblage entre le détecteur et le bloc d'alimentation.
  - Si le câblage est correct, remplacez le détecteur.

## INFORMATIONS CONCERNANT LES COMMANDES

N° de référence	Description
DT-200	Détecteur de présence à double technologie, basse tension avec relais isolé
DT-205	Détecteur de présence à double technologie, basse tension
BZ-50	Bloc d'alimentation: 120/277V c.a., 50/60 Hz, ballast ou incandescent 20 A
BZ-150	Bloc d'alimentation: 120/277VCA, 50/60Hz, ballast ou incandescent 20A, avec une capacité de Maintien de l'état marche/Maintien de l'arrêt
BZ-200	Bloc d'alimentation: 120/277VCA, 50/60 Hz, Ballast/ELV/MLV/Incandescent/DEL 20A, E-Ballast/CFL/Prise de courant 16A
BZ-250	Bloc d'alimentation: 120/277VCA, 50/60 Hz, Ballast/ELV/MLV/Incandescent/DEL 20A, E-Ballast/CFL/Prise de courant 16A, avec une capacité de Maintien de l'état marche/Maintien de l'arrêt
BZ-250-347	Bloc d'alimentation: 120/347VCA, 50/60 Hz, Ballast/ELV/MLV/Incandescent/DEL/ E-Ballast/CFL 16A, Prise de courant 15A, avec une capacité de Maintien de l'état marche/Maintien de l'arrêt

## DESCRIPCIÓN DE LA UNIDAD

Los sensores de ocupación con doble tecnología DT-200 Wattstopper combinan tecnologías infrarrojas pasivas (PIR) con tecnologías ultrasónicas avanzadas en una unidad. La combinación de estas tecnologías ayuda a eliminar las falsas activaciones, incluso en aplicaciones difíciles.

El sensor DT-200 enciende y apaga los sistemas de iluminación según la presencia y los niveles de luz ambiente.

El sensor DT-200 ofrece muchos modos de funcionamiento que se pueden combinar para crear el control personalizado ideal. Los sensores pueden configurarse para encender la iluminación y mantenerla encendida hasta que una o ambas tecnologías detecten una presencia. Si no se detecta movimiento durante la demora de tiempo (30 segundos a 30 minutos), las luces se apagan. El modo de "recorrido" puede apagar las luces después de solo 3 minutos si no se detecta actividad después de 30 segundos de que se detecte una presencia.

El sensor DT-200 funciona con los paquetes de alimentación Wattstopper de 24 V CC. Los sensores DT-200 también tienen un relé aislado con contactos Normalmente abierto (N.A.) y Normalmente cerrado (N.C.) para acoplarse con el sistema de calefacción, ventilación y aire acondicionado (HVAC) o el sistema de administración de energía (EMS).

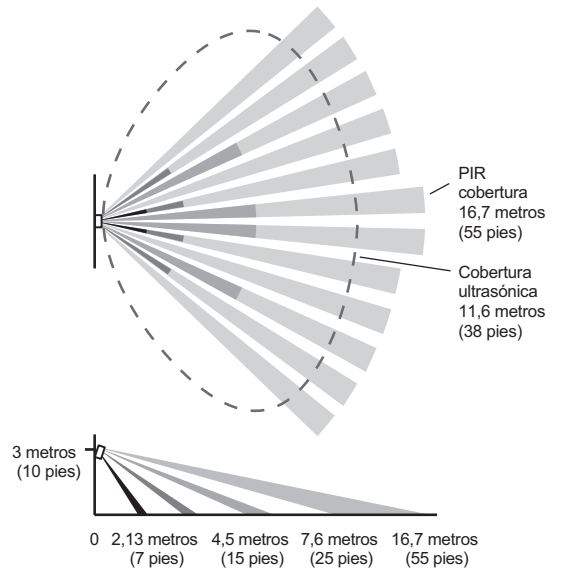
## ESPECIFICACIONES

Voltaje.....	18-28 VCC/VCA rectificada de media onda
Consumo de corriente @24VCC/VCA .....	33mA (CC), 93mA (CA)
Fuente de energía .....	Paquetes de alimentación Wattstopper
Especificaciones de relé aislado .....	1 A @30 VCC/VCA
Temperatura de funcionamiento.....	32 a 131 °F (0 a 55 °C)
Ajuste de nivel de luz en un paso .....	10 FC a 200 FC
Ajuste de la demora de tiempo.....	30 segundos a 30 minutos
Modo de recorrido... 3 minutos si no hay actividad después de 30 segundos	
Modo de prueba.....	5 segundos o restablecimiento del interruptor DIP
Cobertura PIR (típica) .....	111 m <sup>2</sup> (1000 pies <sup>2</sup> )
Ajuste de sensibilidad .....	Alto o bajo (configuración del interruptor DIP)
Cobertura ultrasónica (típica) .....	74–111 m <sup>2</sup> (800–1200 pies <sup>2</sup> )
Ajuste de sensibilidad .....	Mínimo a Máximo (potenciómetro)
Frecuencia.....	40 kHz

## PERFILES DE COBERTURA

El sensor DT-200 proporciona un perfil de cobertura elíptico. La cobertura que se muestra representa el movimiento para caminar a una altura de montaje de 10 pies (3,04 metros). En las áreas de edificios con menos nivel de actividad o con obstáculos y barreras, el alcance de la cobertura puede disminuir

**Lentes de ángulo amplio denso**  
**Hasta 185 metros cuadrados (2.000 pies cuadrados) para movimiento para caminar**  
**Hasta 92 metros cuadrados (1.000 pies cuadrados) para movimiento para caminar**

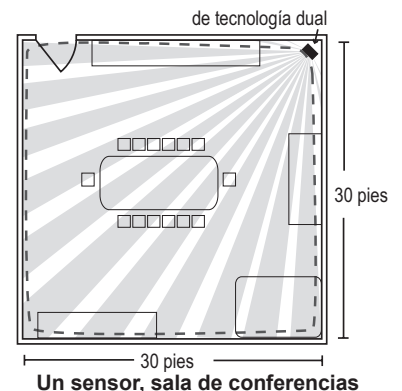


## GUÍAS PARA LA COLOCACIÓN

Según los obstáculos tales como muebles o divisiones, el área de cobertura puede ser menor o mayor que las distancias de detección que se muestran en el diagrama de cobertura. Esto debe considerarse cuando se planifica el número de sensores y su colocación. También se recomienda colocar el sensor de 4 a 6 pies de distancia de los conductos de suministro de aire.

El sensor DT-200 está diseñado para una altura de cielo raso de aproximadamente 2,4 a 3 metros (8 a 10 pies). El montaje por encima o por debajo de este rango afectará significativamente los diagramas de cobertura. Como regla general, cada ocupante debería poder ver el sensor claramente.

**Enmascaramiento de la lente PIR:** Se proporciona una cinta adhesiva opaca para que se puedan enmascarar secciones de la lente PIR. Esto restringe la visualización del sensor y permite eliminar la cobertura PIR en áreas no deseadas, como los vestíbulos que se encuentran fuera del área cubierta deseada. Dado que el enmascaramiento quita franjas de cobertura, recuerde tener esto en cuenta al resolver problemas de cobertura. La cobertura ultrasónica no puede enmascarse, pero se puede ajustar la sensibilidad de esta para reducir el área de cobertura.



## INSTRUCCIONES DE CABLEADO

Cada paquete de alimentación de la serie BZ de Wattstopper puede suministrar energía a 3 sensores DT-200. Cuando se utilicen más sensores, se necesitarán varios paquetes de alimentación.

Consulte los siguientes procedimientos del diagrama de cableado de la próxima página:



### Conecte el BAJO VOLTAJE:

- Cable ROJO (+24 V CC) del paquete de alimentación al cable rojo del sensor
- Cable NEGRO (retorno) del paquete de alimentación al cable negro del sensor

Cableado de una **sola carga de iluminación controlada por ocupación**—conexión:

- Cable AZUL desde paquete de alimentación a cable azul del sensor

Para agregar un **Interruptor manual momentáneo** como el interruptor de palanca momentáneo LVSW a las aplicaciones anteriores, conecte:

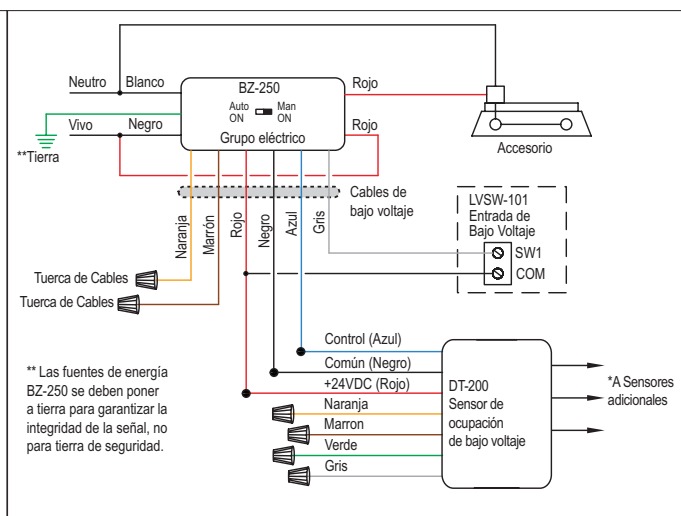
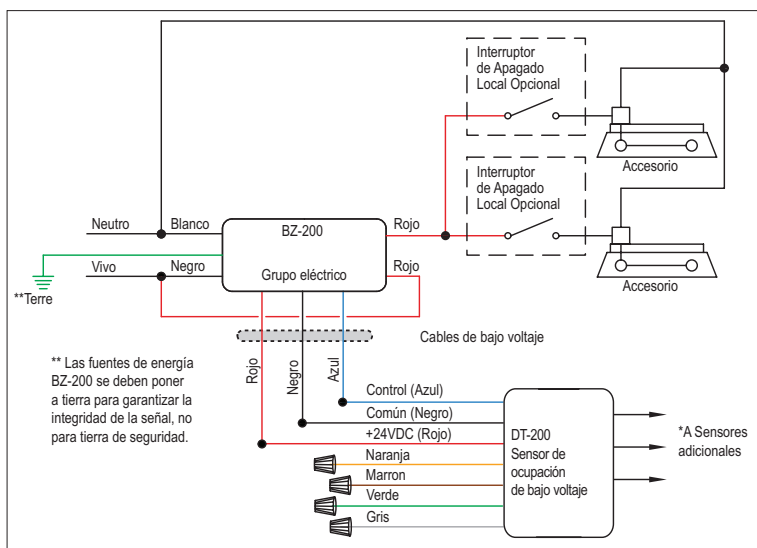
- El cable de un lado del interruptor al cable **gris** del sensor
- El cable del otro lado del interruptor al cable **rojo** del sensor

Cableado del **relé aislado** (El relé aislado es apto para 1 A a 30 V CA/V CC):

Conecte los cables necesarios para la aplicación que requiere esta salida:

- El relé común (debe utilizarse para un funcionamiento correcto) es el cable **verde**
- Normalmente abierto (N.A.): se cierra cuando se detecta una presencia, es el cable **anaranjado**
- Normalmente cerrado (N.C.): se abre cuando se detecta una presencia, es el cable **marrón**

Función del sensor	DT-200 ver.3	DT-200 ver.2	BZ-50 PP
Entrada de +24 V CC	Rojo	Violeta	Rojo
Común a paquete de alimentación	Negro	Gris	Negro
Salida de control	Azul	Amarillo	Azul
Relé común aislado	Verde	Rojo	
Relé aislado N.O.	Anaranjado	Anaranjado	
Relé aislado N.C.	Marrón	Marrón	
Interruptor momentáneo	Gris	Verde	
Salida de control de nivel de luz	N/C	Azul	



**Cableado de Encendido manual con interruptor momentáneo de bajo voltaje**



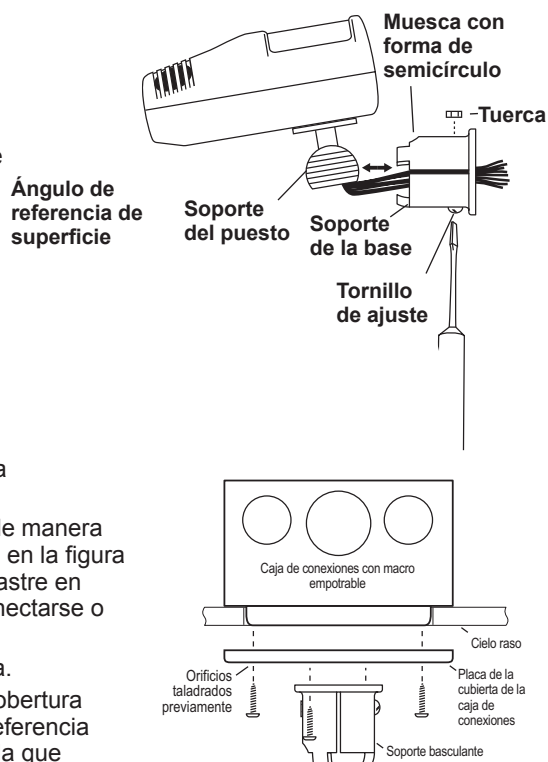
## MONTAJE DEL SENSOR

Los sensores DT-200 pueden montarse a la pared o al cielo raso con el soporte giratorio suministrado, y con la placa de la cubierta de la caja de conexiones suministrada si es necesario (consulte la figura B). El montaje a la altura del accesorio es más efectivo.

**Cielo raso:** Es mejor dejar aproximadamente 15 cm (seis pulgadas) entre el sensor y la pared de manera que se pueda acceder fácilmente al tornillo de ajuste. Oriente la muesca con forma de semicírculo del soporte de la base en la dirección a la que apuntará el sensor.

**Pared:** Oriente la muesca con forma de semicírculo del soporte de la base hacia arriba.

1. Monte el soporte de la base en la superficie de montaje con los tornillos.
2. En el centro del soporte de la base, taladre un orificio en el cielo raso o en la pared (a menos que esté montando en una caja de conexiones) lo suficientemente grande como para enroscar los cables del sensor.
3. Guíe los cables del sensor en el soporte de la base y a través del orificio de la pared o el cielo raso.
4. Conecte los sensores al soporte de la base inclinando el soporte del puesto de manera que quede alieneado con la muesca en forma de semicírculo, como se ilustra en la figura A. Empuje la bola dentro de la apertura del soporte de la base hasta que encastre en su lugar, teniendo cuidado de no pinchar los cables. Los soportes pueden conectarse o desconectarse fácilmente utilizando esta orientación.
5. Inserte el tornillo de ajuste y la tuerca en el soporte de la base como se ilustra.
6. Utilice el ángulo de superficie de referencia para ajustar el sensor para una cobertura óptima. Cuando se monta a 3 metros (diez pies), el ángulo de superficie de referencia debe quedar paralelo a la pared o a la vertical (consulte la figura C). (A medida que disminuye la altura de montaje, el sensor se inclinará levemente hacia arriba, y a medida que aumente la altura de montaje, el sensor se inclinará levemente hacia abajo).
7. Ajuste el tornillo de ajuste.

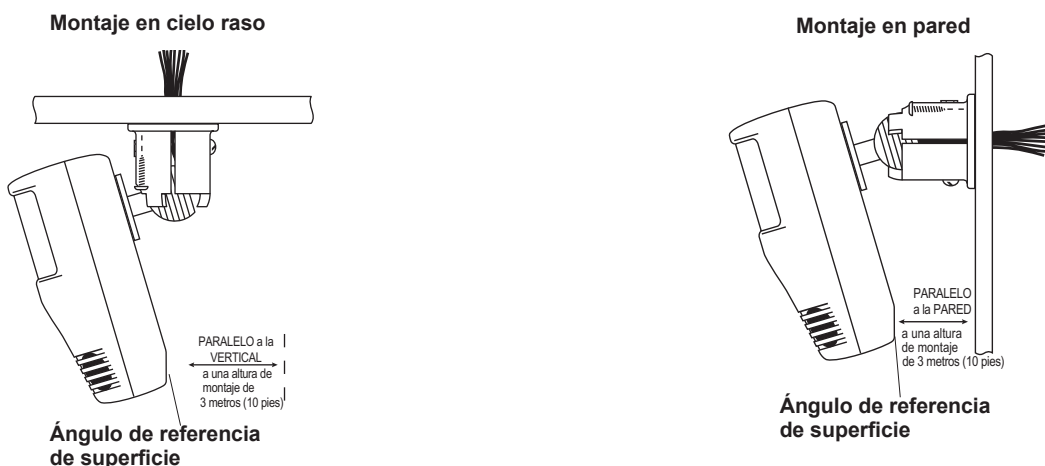


**Instalación de la placa de la cubierta de la caja de conexiones**  
Wattstopper recomienda utilizar un marco empotrable de 3.0" con una caja octogonal de 4"

### Ajuste del ángulo del sensor

Mientras observa los parpadeos en los LED (el LED rojo indica activación del sensor PIR, el LED verde indica activación del sensor ultrasónico), haga que una persona recorra todo el espacio de atrás hacia adelante. Aumente o disminuya el ángulo de montaje según sea necesario hasta que se logre la cobertura deseada.

Ajuste el tornillo de ajuste para mantener esta posición.



### Servicio

Para anular todas las funciones del sensor, ajuste el potenciómetro de sensibilidad ultrasónica completamente en sentido contrario a las manecillas del reloj (servicio). Esto omite las funciones de control de presencia del sensor, pero permite que las luces puedan controlarse manualmente con un interruptor de luz, si hay uno instalado.

## FUNCIÓN DE NIVEL DE LUZ

La función de nivel de luz mantiene las luces apagadas durante la presencia inicial si hay una luz ambiente adecuada. No apagará las luces si están encendidas. La configuración predeterminada está ajustada al máximo, lo que significa que aun con la luz ambiente más clara no se mantendrán las luces apagadas.

### Notas sobre la funcionalidad

- Evite montar el sensor cerca de dispositivos de iluminación.
- Realice los ajustes durante el día cuando la luz ambiente en el área esté en el nivel deseado.
- El nivel de luz no se puede activar mientras esté activo el modo de prueba. Espere a que finalice el modo de prueba o seleccione cualquiera de las configuraciones adicionales de demora de tiempo antes de activar la función de nivel de luz.
- El indicador LED de presencia PIR quizás aún responda cuando las luces se mantienen apagadas. Las luces LED también destellarán periódicamente para indicar que el sensor tiene el nivel de luz activado.
- Las configuraciones de nivel de luz solo se guardan en el caso de una pérdida de energía. Si se desactiva el nivel de luz y, luego, se lo vuelve a activar, esto no restituirá las configuraciones anteriores.
- Si se activa el modo de prueba después de haber establecido el nivel de luz, la funcionalidad de nivel de luz dejará de funcionar durante todo el período de duración del modo de prueba. Cuando expire el período del modo de prueba, se reanudará la funcionalidad de nivel de luz, aun cuando los interruptores DIP permanezcan configurados en el modo de prueba.

### Configuración del nivel de luz

1. Asegúrese de que el modo de prueba no esté activo.
2. Abra la cubierta frontal y encuentre el botón de nivel de luz. Consulte Ajuste del sensor.
3. Presione el botón de nivel de luz. No supere los 5 segundos.\* El sensor ingresa al modo de configuración, como lo indican las luces LED que destellan rápidamente. Las luces LED destellarán durante todo el proceso de configuración. Los indicios de presencia desde las luces LED se desactivan durante la configuración.
4. Aléjese del sensor para evitar la interferencia con la detección de nivel de luz. El sensor mide el nivel de luz durante un período de 10 segundos, luego realiza un promedio de las lecturas y establece automáticamente el nivel que se utilizará como la nueva configuración. El sensor mantendrá las luces apagadas cuando la luz ambiente exceda esta configuración.
5. Cuando las luces LED dejen de destellar, vuelva a colocar la cubierta frontal

### \*Desactivación del nivel de luz

Al presionar el botón durante 5 segundos o más, se restablece la luz al valor predeterminado (máximo).

Presione y mantenga presionado el botón de nivel de luz durante 5 segundos, o hasta que las luces LED de detección se enciendan y apaguen. Los LED destellan rápidamente durante 10 segundos después de que la configuración ha cambiado.

## AJUSTE DEL SENSOR

Los sensores vienen con ajuste predeterminado de fábrica para permitir una instalación rápida en la mayoría de las aplicaciones. Con los siguientes procedimientos, se puede verificar que el cableado o la cobertura sean adecuados o personalizar los ajustes del sensor. Para hacer ajustes, abra la cubierta frontal con un destornillador pequeño.

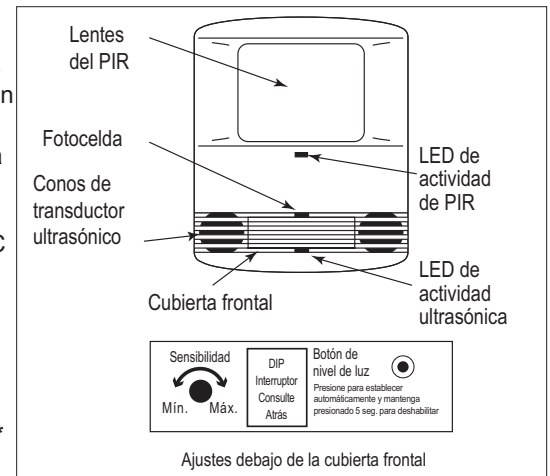
**Hay un período de calentamiento de 30 segundos cuando se emplea la energía por primera vez.**

Antes de hacer ajustes, asegúrese de que los muebles de oficina estén instalados, de que los circuitos de iluminación estén encendidos y de que los sistemas de HVAC estén en la posición de anulación/encendido. Los sistemas VAV deben configurarse con su máximo caudal de aire. Establezca la configuración lógica y la demora de tiempo en el valor deseado. Consulte el "Cuadro de configuración lógica" en la próxima página.

### Para probar los sensores de ocupación

1. Asegúrese de que la demora de tiempo se configure para el **modo de prueba\*** mediante la configuración "Modo de prueba/20 minutos". (los interruptores DIP 1, 2 y 3 están apagados).
2. Asegúrese de que el nivel de luz esté en el valor predeterminado (máximo). Presione y mantenga presionado el botón durante 5 segundos o hasta que la luz LED verde destelle rápidamente. Espere 10 segundos hasta que la luz deje de destellar.
3. Asegúrese de que el potenciómetro de sensibilidad ultrasónica esté configurado en aproximadamente 70 % en el sentido de las manecillas del reloj.
4. No se mueva. Las luces LED roja y verde no deberían destellar. Las luces deberían apagarse luego de 5 segundos. (En caso contrario, consulte "Solución de problemas").
5. Desplácese dentro del área de cobertura. Las luces deberían encenderse. Ajuste de la sensibilidad ultrasónica según sea necesario para proporcionar la cobertura deseada (la luz LED verde indica activación desde el sensor ultrasónico).

Cuando la prueba y el ajuste se hayan completado, restablezca los interruptores DIP y el nivel de luz a las configuraciones deseadas, y vuelva a colocar la cubierta en el sensor.



**\*El modo de prueba** es un estado temporal que comienza cuando ajusta por primera vez los interruptores DIP del sensor para el "Modo de prueba/20 minutos" (interruptores 1, 2, 3 apagados). Si usted necesita iniciar el **modo de prueba** y los interruptores DIP ya están configurados para el "Modo de prueba/20 minutos", mueva el interruptor DIP 1 a la posición de encendido y, luego, a la posición de apagado. Esto proporciona un período de prueba de 10 minutos. Durante el período de prueba, el tiempo de retardo es de solo 5 segundos.

## FUNCIÓN DE ENCENDIDO MANUAL

La función de encendido manual se facilita por la instalación de un interruptor momentáneo, como el interruptor de palanca momentáneo LVSW Wattstopper. El interruptor se conecta con la función Manual (Man.) del sensor. El interruptor y las terminales de +24 V CC se muestran en el diagrama del cableado. Cada vez que se presiona el interruptor, la carga cambia el estado. El funcionamiento del sensor en relación con el interruptor accionado manualmente se determina según la configuración del interruptor DIP para la lógica de presencia.

**Modo manual (opción de activación 6 o 7):** En este modo, se requiere el interruptor para encender la carga. El sensor mantiene la carga encendida, según la actividad de presencia. Después de finalizada la demora de tiempo, si no se detecta ningún movimiento dentro del período de reinicio de 30 segundos, la carga se apaga y se debe utilizar el interruptor manual para encender la carga.

**Modo automático (cualquier opción de activación, menos 6 o 7):** Estas opciones utilizan los activadores de presencia así como la activación mediante interruptor para encender la carga. Un interruptor manual proporciona la siguiente funcionalidad adicional:

- La carga puede encenderse con el interruptor manual y permanece encendida según la configuración de lógica de presencia. La demora de tiempo funciona según lo programado. Cuando la carga se apaga a causa de falta de detección de presencia, puede volver a encenderse mediante la detección de presencia o mediante el interruptor.
- Si se activa el interruptor manual mientras la carga está encendida, esto apaga la carga.
  - ▶ Cuando se apaga la carga manualmente, siempre y cuando el sensor siga detectando la presencia, la carga se mantiene apagada. Después de la última de detección de presencia, las luces permanecen apagadas y el sensor se revierte al modo de encendido automático.
  - ▶ Cuando la carga se apaga manualmente, al presionar el interruptor nuevamente, la carga se enciende y el sensor se revierte al modo de encendido automático.
  - ▶ Una vez que se vuelve al modo de encendido automático, el interruptor o la detección de presencia pueden encender la carga.

## CONFIGURACIÓN DEL INTERRUPTOR DIP

### Tiempo de demora: Interruptores 1, 2, 3

El sensor mantendrá las luces encendidas mientras se detecta la presencia. La cuenta regresiva del tiempo de retardo se inicia cuando no se detecta movimiento. Si no se detecta movimiento durante la duración de la demora de tiempo, el sensor apaga las luces.

### Recorrido: Interruptor 4

El modo de recorrido apaga las luces tres minutos después de que el área esté ocupada inicialmente, si no se detecta movimiento después de los primeros 30 segundos. Si el movimiento continúa más allá de los primeros 30 segundos, se aplica el tiempo de retardo seleccionado.

### PIR Sensitivity (Sensibilidad PIR): Interruptor 5

- El mínimo obliga un rango de detección reducido para la tecnología PIR.
- El máximo hace que el DT-200 supervise el ambiente controlado y que seleccione automáticamente la sensibilidad máxima que ofrecerá un funcionamiento confiable sin falsas detecciones. Esta configuración se actualiza constantemente.

### Lógica de presencia: Interruptores: 6, 7, 8

El DT-200 tiene 8 configuraciones lógicas para los activadores de presencia establecidas en los interruptores DIP 6, 7 y 8. Determine la opción de lógica de presencia adecuada usando la matriz de activación y, luego, configure los interruptores DIP en consecuencia.

**Ocupación inicial:** El método que activa un cambio de "Espera" (área sin presencia y cargas apagadas) a "Ocupado" (área con presencia y cargas encendidas).

- Ambos requieren una detección mediante tecnologías PIR y ultrasónica.
- Cualquiera requiere detección mediante solo una tecnología.
- PIR requiere detección mediante PIR.
- Interruptor requiere activación del interruptor manual. (Consulte "Función de encendido manual" para obtener más información).

**Mantener ocupación:** El método que indica que el área aún está ocupada, y las luces deberían permanecer encendidas.

**Reinicio:** Después de que transcurre la demora de tiempo y las luces se apagan, la detección mediante la tecnología seleccionada dentro de la cantidad de segundos indicados enciende nuevamente las luces.

Función		Interruptor n.°		
Tiempo de retardo		1	2	3
Modo de prueba/20 min.	↓ ↓ ↓	↓	↓	↓
30 segundos	↓ ↓ ↑	↓	↓	↑
5 minutos	↓ ↓ ↑	↓	↓	↑
10 minutos	↓ ↑ ↑	↓	↑	↑
15 minutos	↑ ↓ ↓	↑	↓	↓
20 minutos	↑ ↑ ↑	↑	↑	↑
25 minutos	↑ ↑ ↓	↑	↑	↓
30 minutos	↑ ↑ ↑	↑	↑	↑
Recorrido	4			
Habilitado	↑			
Desactivado	↓			
Sensibilidad del PIR	5			
Mínimo	↑			
Carga	↓			
Configuración de presencia inicial	Configuración	6	7	8
	Estándar	↓ ↓ ↓	↓ ↓ ↓	↓ ↓ ↓
	Opción 1	↑ ↓ ↓	↓ ↓ ↓	↓ ↓ ↓
	Opción 2	↓ ↓ ↓	↑ ↓ ↓	↓ ↓ ↓
	Opción 3	↑ ↑ ↓	↓ ↓ ↓	↓ ↓ ↓
	Opción 4	↓ ↓ ↓	↑ ↓ ↓	↓ ↓ ↓
	Opción 5	↑ ↑ ↓	↑ ↑ ↓	↓ ↓ ↓
	Opción 6	↓ ↓ ↓	↑ ↑ ↓	↓ ↓ ↓
Opción 7	↑ ↑ ↑	↑ ↑ ↑	↑ ↑ ↑	
Lógica de presencia	Activador	Presencia inicial	Mantener inicial	Reinicio (duración en segundos)
	Estándar	Ambas	Cualquiera	Cualquiera (5)
	Opción 1	Cualquiera	Cualquiera	Cualquiera (5)
	Opción 2	PIR	Cualquiera	Cualquiera (5)
	Opción 3	Ambas	PIR	Ambas (5)
	Opción 4	PIR	PIR	PIR (5)
	Opción 5	Cualquiera	PIR	Cualquiera (5)
	Opción 6	Interruptor	Cualquiera	Cualquiera (30)
Opción 7	Interruptor	PIR	Ambas (30)	

◀ = Configuración de fábrica  
 ↑ = ENCENDIDO  
 ↓ = APAGADO

---

## PROTECCIÓN CONTRA SOBRECARGA

---

El sensor de presencia tiene una función de protección contra sobrecarga integrada que apaga la salida del control automáticamente cuando la corriente de la carga supere 200 mA. Las luces LED del sensor parpadearán rápidamente (~ 10 Hz) a fin de emitir una señal visual de una condición de sobrecarga. Cuando se corrija la corriente de la carga o vuelva al estado normal, la salida del control volverá a encenderse.

---

## SOLUCIÓN DE PROBLEMAS

---

### Para cualquier funcionamiento inesperado.

1. Verifique la configuración del interruptor DIP.
2. Asegúrese de que los interruptores estén configurados según los ajustes definidos en el cuadro de configuración del interruptor DIP.

### Las luces no se encienden cuando ingresa a la habitación.

#### Ninguna luz LED destella.

1. Verifique que el disyuntor se haya encendido de nuevo.
2. Controle todas las conexiones de cables del sensor y del paquete de alimentación.
3. Verifique la entrada de 24 V CC al sensor entre los cables de bajo voltaje rojo y negro.
  - Si hay 24 V CC, cambie el sensor.
  - Si no hay 24 V CC, verifique las conexiones de alto voltaje que van al paquete de alimentación.
  - Si las conexiones de alto voltaje están bien y hay alto voltaje, cambie el paquete de alimentación.

#### La luz LED roja no destella.

1. Cuando se energiza el sensor inicialmente, hay un período de calentamiento de 30 a 60 segundos antes de que la LED se active.
2. Asegúrese de que la sensibilidad PIR esté configurada en 100 % (el interruptor DIP n.º 5 está en la posición de apagado).

#### La luz LED verde no destella.

Quizás deba aumentarse el valor de configuración de la sensibilidad ultrasónica. Gire el potenciómetro de ajuste en sentido de las manecillas del reloj hasta que la LED comience a destellar cuando se produce un movimiento.

#### La luz LED verde está encendida de manera constante.

Verifique el potenciómetro de sensibilidad ultrasónica. La posición completamente contraria a las manecillas del reloj es la anulación del sensor. Gire el potenciómetro en el sentido de las manecillas del reloj hasta que la luz LED destelle solamente cuando se produce el movimiento en el área de cobertura deseada.

#### Las luces LED rojo y verde destellan.

1. Controle todas las conexiones del sensor y del paquete de alimentación.
2. Verifique que el nivel de luz esté activado.
  - Si los indicadores LED de presencia parpadean juntos cada unos pocos segundos, el sensor está utilizando la función de nivel de luz.
  - Si no se desea la funcionalidad de nivel de luz, presione y mantenga presionado durante 5 segundos para volver el sensor a la configuración predeterminada (máximo).
3. Verifique que haya 24 V CC en las conexiones de los cables azul y negro del paquete de alimentación que van al sensor mientras el sensor está activo.
  - Si no hay voltaje, cambie el sensor.
  - Si hay voltaje, verifique que haya 24 V CC entre el cable azul y el negro en el paquete de alimentación. Si hay 24 V CC y el relé no se cierra, cámbielo.
  - Si no hay 24 V CC, verifique que no haya un cortocircuito en el cableado de bajo voltaje.
4. Si las luces LED destellan rápidamente (~10 Hz), hay una condición de sobrecarga. Cuando esta situación se corrige, el sensor vuelve a funcionar normalmente. Verifique la conexión del cable azul. Si es necesario, cambie el paquete de alimentación.

#### Las luces no se apagan automáticamente.

##### La luz LED verde destella.

Reduzca la sensibilidad ultrasónica girando el potenciómetro de ajuste en sentido contrario a las manecillas del reloj hasta que solo destelle cuando se produce el movimiento.

##### La luz LED roja destella brevemente y la luz LED verde no destella.

Verifique que haya utilizado la conexión del interruptor manual. No haga ninguna conexión a esta terminal si no está usando un interruptor momentáneo de bajo voltaje entre el sensor y el paquete de alimentación.

##### La luz LED roja destella aleatoriamente.

Fije la sensibilidad PIR al mínimo girando el interruptor DIP 5 a la posición de encendido.

## Las luces no se apagan.

1. Controle todas las conexiones de cables del sensor y del paquete de alimentación.
2. Desconecte el cable azul del paquete de alimentación.
  - Si las luces no se apagan, verifique el cableado del paquete de alimentación. Cambie el paquete de alimentación de ser necesario.
  - Si las luces se apagan, el problema puede estar en el sensor o el cableado entre el sensor y el paquete de alimentación. Vuelva a conectar el cable azul.
  - Vuelva la sensibilidad y la demora de tiempo al mínimo, y permita que el sensor esté en tiempo de espera.
  - Si las luces se apagan, el sensor está funcionando correctamente. Ajuste la sensibilidad y la demora de tiempo del sensor.
  - Si las luces no se apagan, verifique el cableado entre el sensor y el paquete de alimentación.
  - Si el cableado está bien, cambie el sensor.

## INFORMACIÓN PARA PEDIDOS

Del atenuador	Descripción
DT-200	Sensor de ocupación con doble tecnología, bajo voltaje con relé aislado
DT-205	Sensor de ocupación con doble tecnología de bajo voltaje
BZ-50	Paquete de alimentación: 120/277 V CA, 50/60Hz, balasto o carga incandescente de 20A
BZ-150	Paquete de alimentación: 120/277VAC, 50/60Hz, balasto o carga incandescente de 20A, con capacidad de Mantener encendido/Mantener apagado
BZ-200	Paquete de alimentación: 120/277VAC, 50/60 Hz, Balasto/ELV/MLV/Incandescente/LED de 20A, Balasto eléctrico/LFC/Carga del enchufe de 16A
BZ-250	Paquete de alimentación: 120/277VAC, 50/60 Hz, Balasto/ELV/MLV/Incandescente/LED de 20A, Balasto eléctrico/LFC/Carga del enchufe de 16A, con capacidad de Mantener encendido/Mantener apagado
BZ-250-347	Paquete de alimentación: 120/347VAC, 50/60 Hz, Balasto/ELV/MLV/Incandescente/LED/ Balasto eléctrico/LFC de 16A, Carga del enchufe, con capacidad de Mantener encendido/Mantener apagado capability de 15A

### WARRANTY INFORMATION

Wattstopper warrants its products to be free of defects in materials and workmanship for a period of five (5) years. There are no obligations or liabilities on the part of Wattstopper for consequential damages arising out of, or in connection with, the use or performance of this product or other indirect damages with respect to loss of property, revenue or profit, or cost of removal, installation or reinstallation.

### INFORMATIONS RELATIVES À LA GARANTIE

Wattstopper garantit que ses produits sont exempts de défauts de matériaux et de fabrication pour une période de cinq (5) ans. Wattstopper ne peut être tenu responsable de tout dommage consécutif causé par ou lié à l'utilisation ou à la performance de ce produit ou tout autre dommage indirect lié à la perte de propriété, de revenus, ou de profits, ou aux coûts d'enlèvement, d'installation ou de réinstallation.

### INFORMACIÓN DE LA GARANTÍA

Wattstopper garantiza que sus productos están libres de defectos en materiales y mano de obra por un período de cinco (5) años. No existen obligaciones ni responsabilidades por parte de Wattstopper por daños consecuentes que se deriven o estén relacionados con el uso o el rendimiento de este producto u otros daños indirectos con respecto a la pérdida de propiedad, renta o ganancias, o al costo de extracción, instalación o reinstalación.